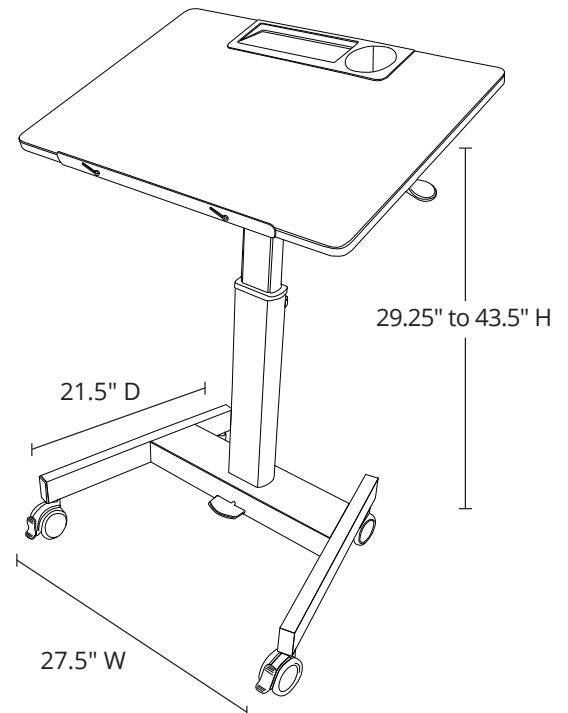


STUDENT-P-TILT

28" x 21" Pneumatic Adjustable Height Flip-Top Student Desk/Nesting Desk

Product Specifications

| Item Number | STUDENT-P-TILT |
|--|--|
| Dimensions (with included casters) | 27.5" W x 21.5" D x 29.25" to 43.5" H |
| Dimensions (with included furniture glides) | 27.5" W x 21.5" D x 26.25" to 40.5" H |
| Product Weight | 34.5 lbs. |
| Base Material | Powder-coated steel |
| Column Material | Powder-coated aluminum |
| Desktop Material | MDF with PVC edging |
| Frame Color | Medium Gray |
| Desktop Color | Light Gray |
| Desktop Dimensions | 27.5" W x 21.5" D |
| Height Adjustment Mechanism | Foot pedal-actuated pneumatic cylinder |
| Height Adjustment Range (with casters) | Anywhere between 29.25" and 43.5" H |
| Height Adjustment Range (with furniture glides) | Anywhere between 26.25" and 40.5" H |
| Desktop Tilt Adjustment | Three positions: desk, lectern, nesting |
| Desktop Tilt Adjustment Mechanism | Hand Lever |
| Weight Capacity | 35 lbs. |
| Casters (4) | 3" full swivel; two with locking brakes |
| Additional Features | Backpack hook, cup holder, pencil holder, paper stopper |
| Meets ANSI/BIFMA | Yes |
| Meets CPSIA | Yes |
| Shipping Method | Ground |
| Shipping Carton Dimensions | 32.8" W x 25.2" D x 6.2" H |
| Shipping Weight | 42.2 lbs. |
| Assembly Required | Yes |



To Order, Call Your
Sales Representative or
800-323-4656