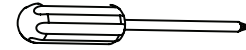

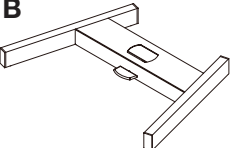
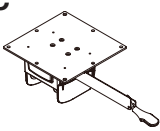
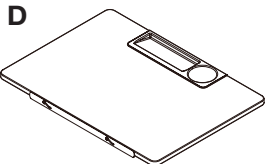
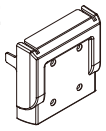














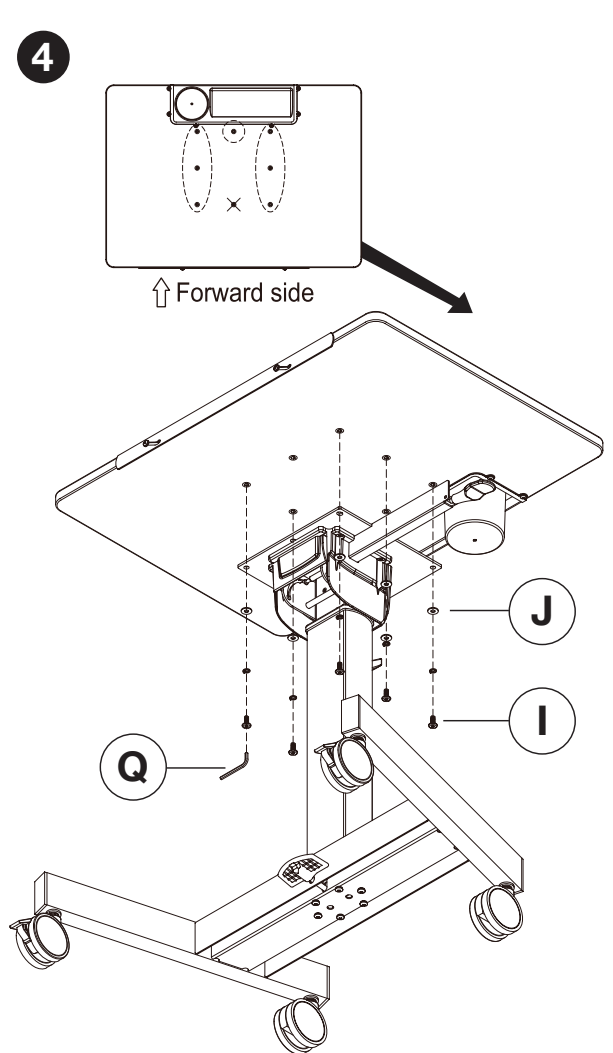
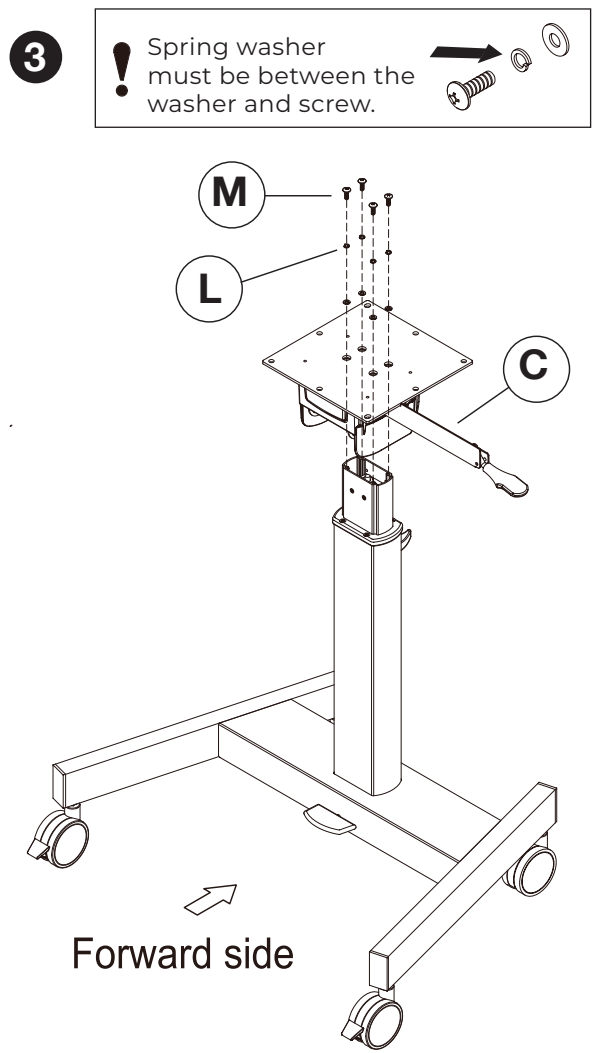
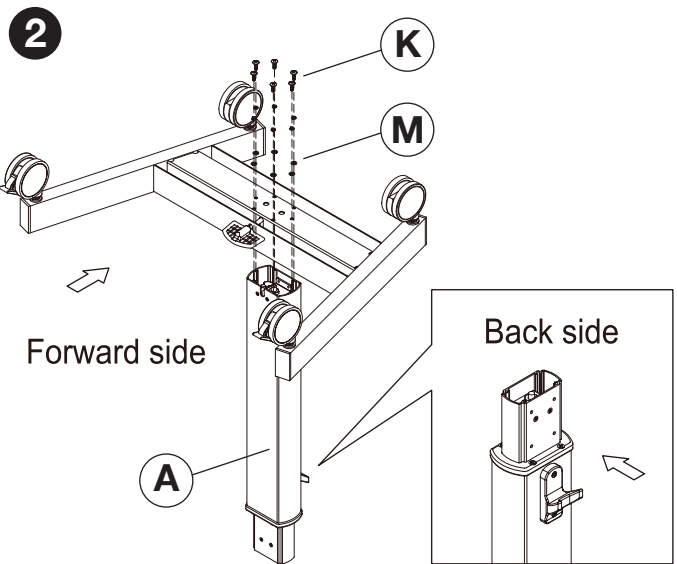
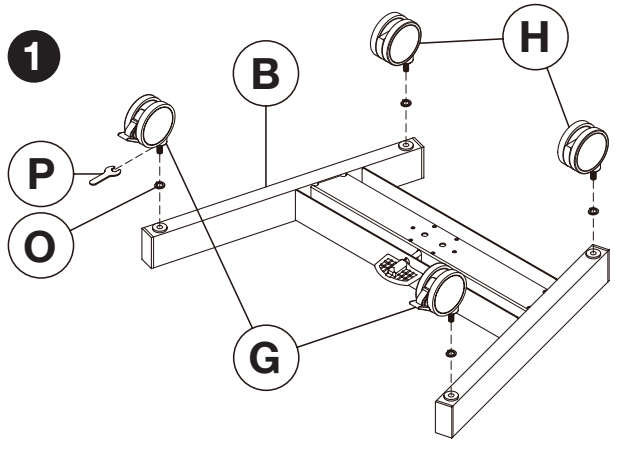
STUDENT-P-TILT Assembly Instructions

Tools Required:
Philips Screw Driver
(not included)



Parts Key

A  Pillar (x 1)	B  Base (x 1)	C  Adjustable Fitting (x 1)	D  Desktop (x 1)	E  Cover (x 1)	F  Glides (x 4)	G  Locking Casters (x 2)	H  Casters (x 2)	I  Screws (x 7) (1/4" X 15mm)	J  Washers for 1/4" (x 7) ea.	K  Screws (x 6) (M5 X 15mm)
					L  Screws (x 4) (M5 X 15mm)	M  Washers for M5 (x 10) ea.	N  Screws (x 4) (M4 X 8mm)	O  Fastener for 3/8" (x 4)	P  Spanner (x 1)	Q  Hex Key (x 1) (4mm)



5

