

HEXAGON WORKSTATION



DURABLE



COLLABORATIVE



FUNCTIONAL



*Empower Your Team's
Potential with the NPS
Hexagon Workstation*

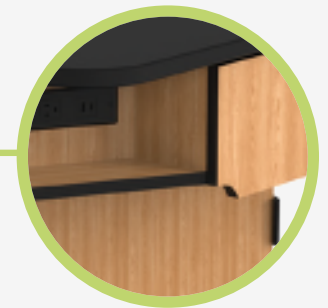
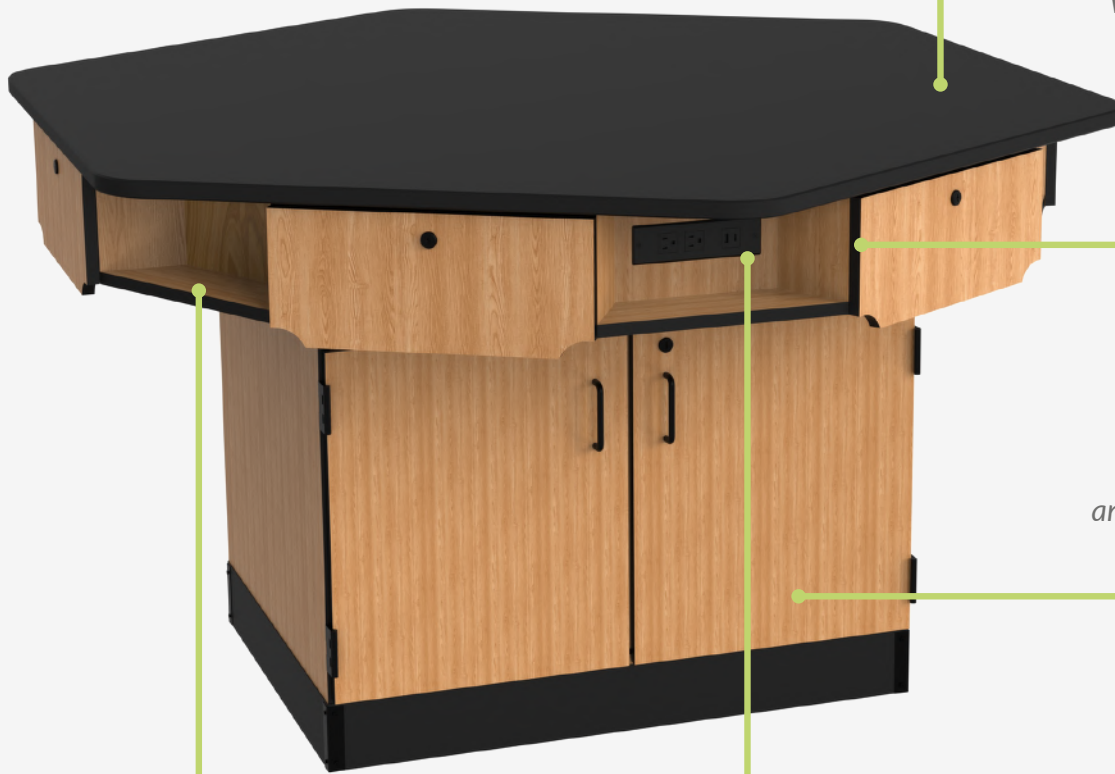
Empower your students, enhance their learning experience, and create a more engaging classroom environment with the NPS Hexagon Workstation.

This dynamic workstation comfortably accommodates 6 students around it. What sets Hexagon Workstation apart is its thoughtful design maximizing the workstation capacity while also ensuring that every student has easy access to electricity with strategically placed outlet plugs.



6 WORKSTATIONS

With full access to all features



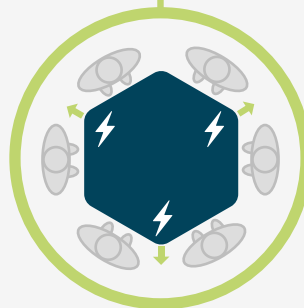
MODERN DESIGN

Modern Two-Tone Black Edge and Hardware on Oak Panel Look



BUILT-IN EXTRA STORAGE

For personal/working elements



3 EXTERNAL POWERS HUBS

For uninterrupted connectivity



INTERNAL POWER HUB

For easy setup

Cabinet Design



Cabinet Features



Doors Feature Five-knuckle
Wrap-Around Hinges



One Adjustable
Height Shelf



Doors Lock To
Keep Contents Safe



Optionally Installed Rubber
Toe Kick to Protect Against
Spills or Damages



Apron Style Options

Drawers

CODE: D



Drawers Features



6 Plywood Core Drawers with an Ergonomically Carved Handle Design



Drawers Lock To Keep Contents Safe



COMPATIBLE WITH **POWER ADD-ON**
See Next Page for Specs

-OR-

Book Boxes

CODE: B

Book Boxes Features



6 Book Boxes for Open Storage with Easy Accessibility



Inner Dimensions 15.75" W x 11" D x 4.5"H

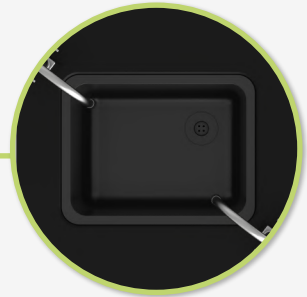


COMPATIBLE WITH **POWER ADD-ON**
See Next Page for Specs

Top Style & Add-Ons



2 Gas+Cold Water Fixtures



Solid Epoxy Resin Sink
with Drain, Sink Outlet and Stopper

(Available only with Phenolic Tabletop)



Internal Power Hub

10-Outlet + 4 USB Input Surge
Protected Power Strip with a 15ft Cord



3 UL Approved Powers Hubs

Each Power Hub is Rated at 125v, 60Hz,
15A, and Offers the Following Features:

- Two Tamper-Resistant AC Outlets
- One USB Type-A charging port delivering 5V at 2.1A (10.5W)
- One USB Type-C charging port providing 5V at 2.4A (12W)
- Built-in 10-foot power cord (14 AWG x 3C) that is routed to the power strip inside the cabinet.

Tabletops



Chem-Res

1" Particleboard Core
Chemical Resistant Top
Edge Banding
(C)



Phenolic

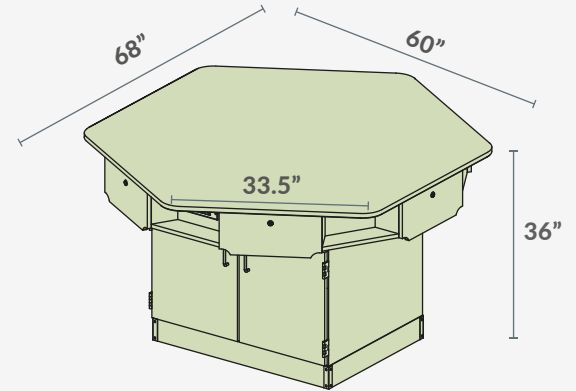
.75" Solid Phenolic
Designer Beveled Edges
(P)



Epoxy

1" Solid Epoxy
Designer Beveled Edges
(E)

| Add-Ons | Description |
|---------|---------------------------------|
| P | Built-In Power Hubs |
| ESFG | Epoxy Sink & Gas-Water Fixtures |



Base Design



Cabinet
(C)

Apron Style Options



Drawers
(D)



Book Boxes
(B)

Power Add-on



Standard
(S)



Built-In Power Strips
(P)

Tabletops



Chem-Res
1" Particleboard Core
Chemical Resistant Top
Edge Banding
(C)



Phenolic
.75" Solid Phenolic
Designer Beveled Edges
(P)



Epoxy
1" Solid Epoxy
Designer Beveled Edges
(E)

Add-on



Epoxy Sink &
Gas+Water Fixtures
(ESGF)
Available only with Phenolic
Tabletop

Model Number Configuration

