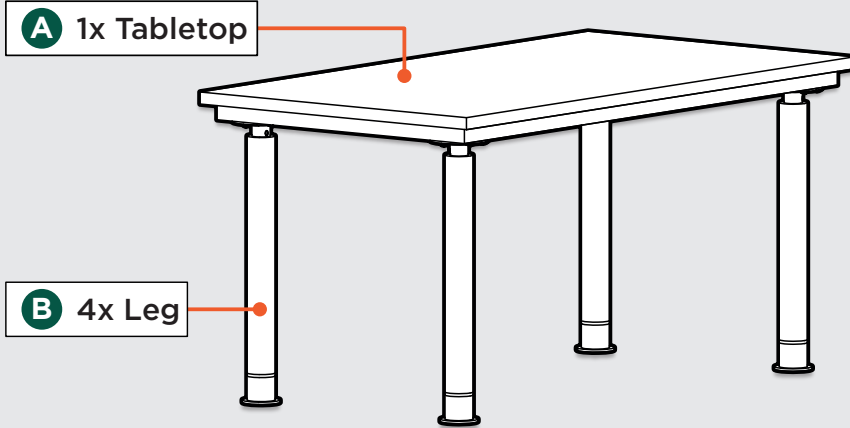


# ASSEMBLY INSTRUCTIONS

## DESIGNER SCIENCE LAB TABLE (SLT6 SERIES)

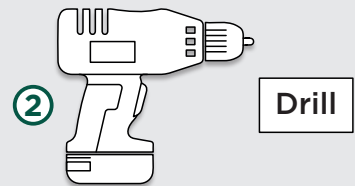
### TABLE COMPONENTS



### INCLUDED HARDWARE

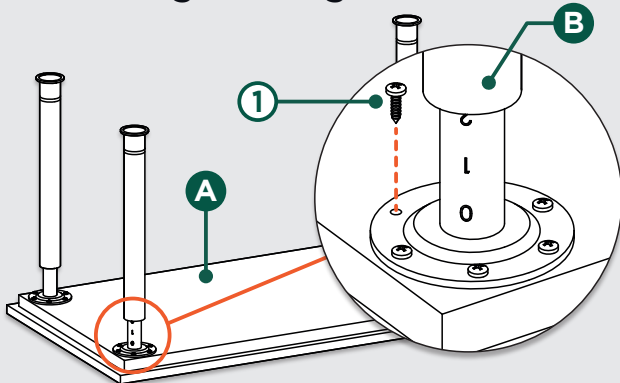


### TOOLS FOR ASSEMBLY



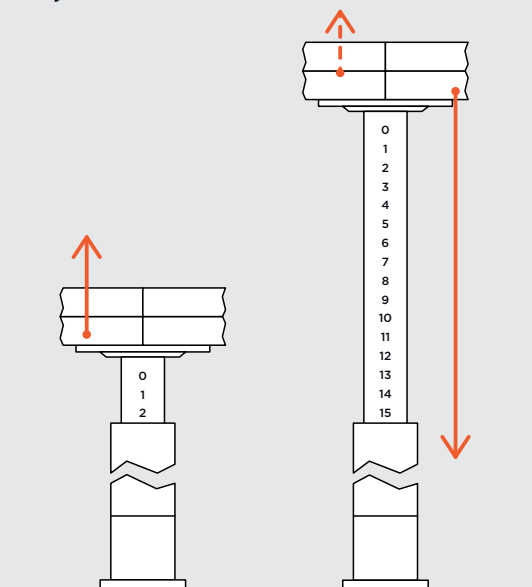
### LEG INSTALLATION

Secure each Leg **B** to Tabletop **A** by installing six Pan-Head Screw **1** through the pre-drilled holes on the tabletop. Ensure that the numbers on the Leg is facing outwards.



### HEIGHT ADJUSTMENT

Adjust the height by raising the table and it will automatically lock into place. To lower the table, raise it to the top and after hearing the click, lower it to the bottom.



**!** If a screw is difficult to secure tightly, uninstall the screw and carefully deepen the predrilled hole slightly, using the correct size drill bit.

**!** When moving the table - carry it. Do not drag or push it across the floor.

**Congratulations, your table is now assembled and ready to be used!**

*Dear Customer, Thank you for your purchase. Although extreme care goes into manufacturing & packaging of this product, mistakes are possible. If you encounter any missing parts or difficulty in assembly, please contact our customer service Toll Free at 1-800-261-4112 or [info@nationalpublicseating.com](mailto:info@nationalpublicseating.com) for courteous & immediate resolution to your problem.*