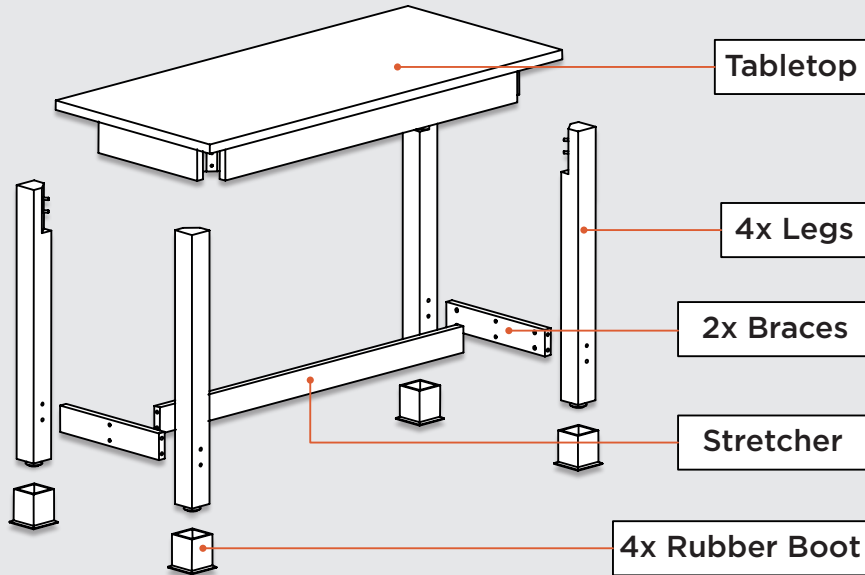


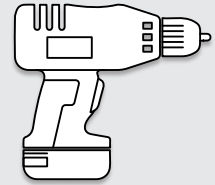
# ASSEMBLY INSTRUCTIONS

## SLT1 AND SLT2 with STRETCHERS AND BRACES

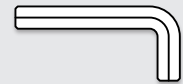
### TABLE COMPONENTS



### TOOLS FOR ASSEMBLY



Drill



Allen Wrench



Wrench

### INCLUDED HARDWARE



8x Washer



10x End Cap



8x Lock Nut



14x Hammer Nut

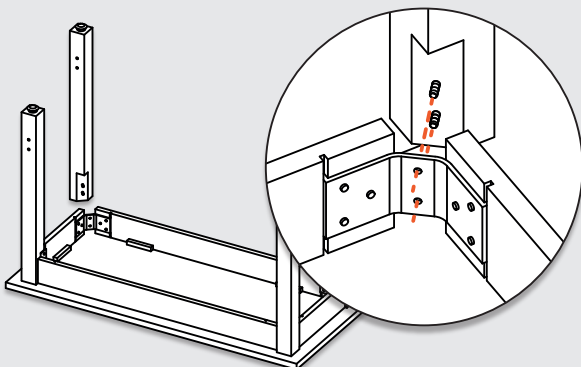


4x Bolt

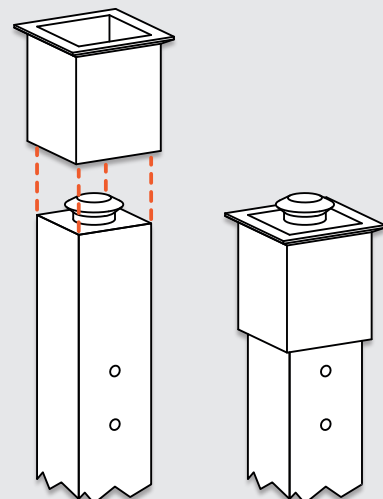


8x Bolt

- Fasten each leg to tabletop structure by installing 2 included washers and 2 lock nuts through the holes at the tabletop structure into the bolts in the leg.

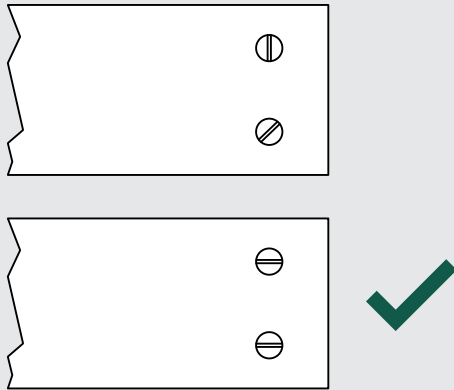


- Place the rubber boots in each leg to protect them.

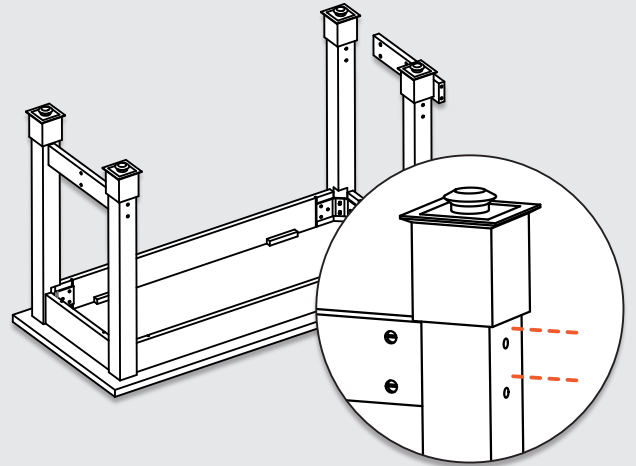


## ASSEMBLY INSTRUCTIONS SLT1 AND SLT2 STRETCHERS AND BRACES

- 3** Insert 2 hammer nuts into the 2 holes at both ends of each brace. Make sure to align them parallel to the length of the brace.

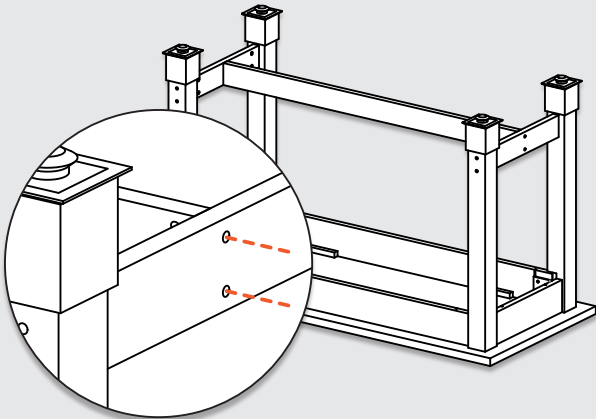


- 4** Fasten each end of the brace to each leg by installing 2 of the larger included bolts through the holes on each leg and into the brace.

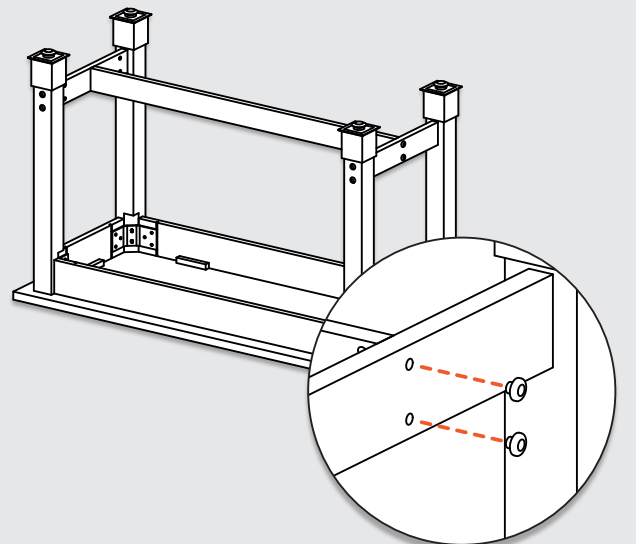


- 5** Repeat step number 3 now for the stretcher.

- 6** Fasten each end of the stretcher to each brace by installing 2 of the shorter included bolts through the holes at the center each brace and into the ends of the stretcher.



- 7** Add the end caps in all expose holes.



**Congratulations, your table is now assembled and ready to be used!**

*Dear Customer, Thank you for your purchase. Although extreme care goes into manufacturing & packaging of this product, mistakes are possible. If you encounter any missing parts or difficulty in assembly, please contact our customer service Toll Free at **1-800-261-4112** or **info@nationalpublicseating.com** for courteous & immediate resolution to your problem.*