

RCLMWP

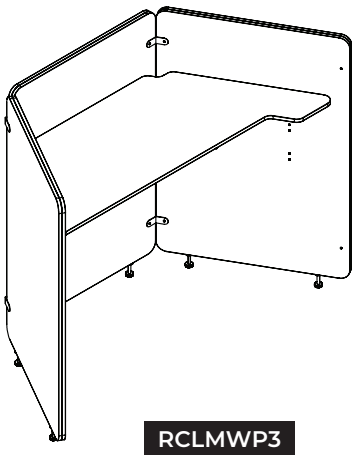
RECLAIM® Acoustic Work Pods

Product Specifications

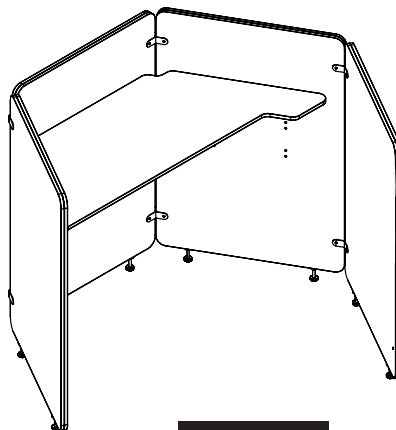
Item Number	RCLMWP
Materials	<p>Panels: Fabric-wrapped PET</p> <p>Panel Core: 60% post-consumer</p> <p>Fabric: 100% post-consumer</p> <p>Desktop: MDF with melamine exterior</p> <p>Feet and Brackets: Powder-coated steel</p> <p>Furniture Glides and Casters: PA (nylon/polyamide)</p>
Feet (included)	Threaded, leveling
Casters (optional)	2", full swivel, all include locking brakes
Color	<p>Panel: Light gray</p> <p>Desktop: White</p>
Dimensions	<p>Panels (each): 35.5" W x 1.25" D x 52" H</p> <p>Desktop: 61.5" W x 23.75" D x 0.75" H</p>
Desktop Height Adjustment	Adjustment Range: 29.5", 35.7", 42" (from floor)
Desktop Weight Capacity	110 lbs. (evenly distributed)
NRC (Noise Reduction) Rating	0.85 (85% sound absorbency)
Shipping Method	Freight (parts kits ship in separate boxes. See matrix for shipping weights and dimensions)
Assembly Required	Yes
Warranty	5-year limited

Product Matrix				
Part #	Product Description	Included Parts Kits	Product Dimensions (assembled)	Product Weight
RCLMWP3	Three-Panel Acoustic Work Pod	<ul style="list-style-type: none"> • CPPP001 x 1 • CPPP003 x 1 • CPPP004 x 2 (optional) 	73" W x 32" D x 54.5" H	84.6 lbs.
RCLMWP4	Four-Panel Acoustic Work Pod	<ul style="list-style-type: none"> • CPPP001 x 1 • CPPP002 x 2 • CPPP004 x 2 (optional) 	73" W x 62.75" D x 54.5" H	106.5 lbs.
RCLMWP5	Five-Panel Acoustic Work Pod	<ul style="list-style-type: none"> • CPPP001 x 1 • CPPP002 x 1 • CPPP003 x 1 • CPPP004 x 21 (optional) 	73" W x 64" D x 54.5" H	125.4 lbs.

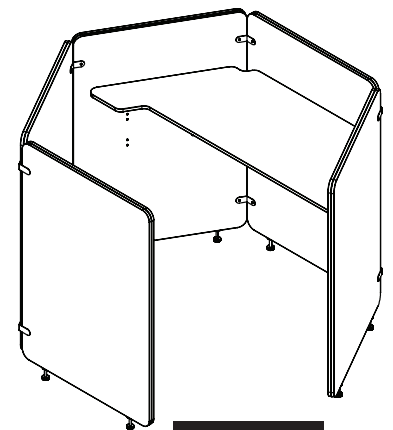
Parts Kit Matrix			
Parts Kit #	Parts Included in Kit	Shipping Dimensions	Shipping Weight
CPPP001	<ul style="list-style-type: none"> • Desktop x 1 • Desktop Support Brackets x 4 • Hardware 	68.3" W x 30.9" D x 2.5" H	30.6 lbs.
CPPP002	<ul style="list-style-type: none"> • Panels x 2 • 2-way panel connection brackets x 4 • 3-way connection brackets x 2 • Hardware 	60.2" W x 40.3" D x 3.5" H	44.8 lbs.
CPPP003	<ul style="list-style-type: none"> • Panels x 3 • 2-way panel connection brackets x 4 • 3-way connection brackets x 2 • Hardware 	60.2" W x 40.3" D x 4.4" H	63.5 lbs.
CPPP004	<ul style="list-style-type: none"> • Optional Locking Casters x 6 	12.2" W x 5.1" D x 3.9" H	1.7 lbs.



RCLMWP3



RCLMWP4



RCLMWP5