

**NOTE:**

- PART # SHOWN IS FOR MAPLE CONSTRUCTION. FOR OAK, ADD SUFFIX "K". e.g. OS-1427K

DWN BY:	JCF	DWN DATE:	2/26/13
APR BY:		DATE APR:	
APR BY:		DATE APR:	

UNLESS OTHERWISE SPECIFIED  
DIMENSION ARE IN INCHES

DECIMALS: .X = ± .030  
.XX = ± .020  
.XXX = ± .010

ANGLES: ± 1°  
CABINET SQUARENESS ± .0625

THIS DRAWING IS THE SOLE PROPERTY OF  
DIVERSIFIED WOOD CRAFTS. IT MAY NOT  
BE ALTERED OR CHANGED WITHOUT  
PERMISSION



300 South Krueger Street  
Suring, WI 54174  
diversifiedwoodcrafts.com

TITLE:  
TALL OPEN SHELF STORAGE - 84"H x 48"W x 22"D  
FULL ASSEMBLY

REV.	DESCRIPTION	DATE	NAME	ECN NO.
B	UPDATED SHELF DEPTH, CLIP HOLE LOCATIONS & QUANTITIES	8/10/16	JCF	N/A
A	CREATED DRAWING	2/26/13	JCF	-
REVISION LEVEL				

DRAWING NUMBER:

OS-1427

SCALE:

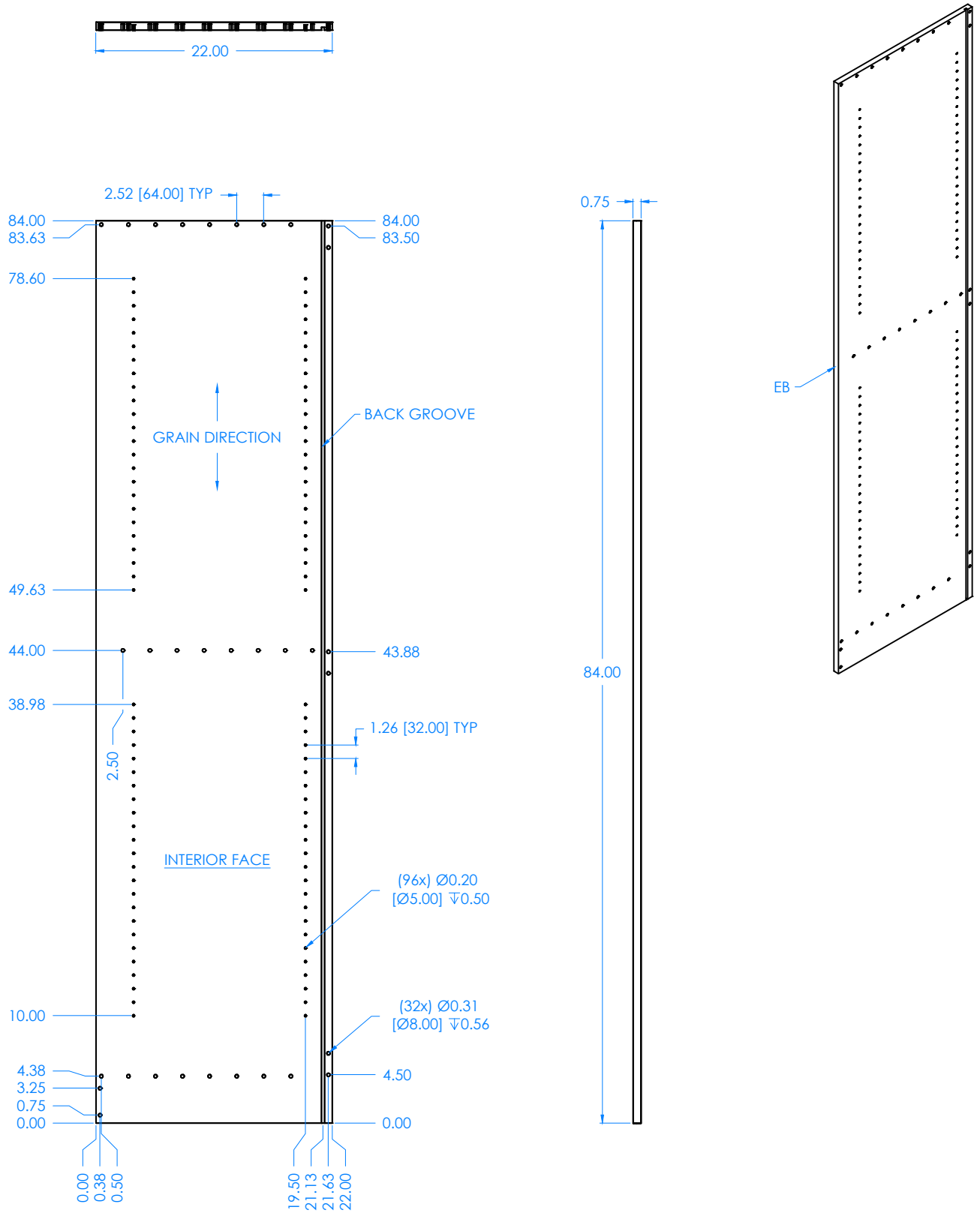
NTS

SHEET:

1 OF 9

REVISION:

REV B



**NOTE:**

1. QTY (2) PER UNIT - (1) LEFT, (1) RIGHT.
2. LEFT SIDE SHOWN, MIRROR FOR RIGHT.

DWN BY:	JCF	DWN DATE:	2/26/13
APR BY:		DATE APR:	
APR BY:		DATE APR:	

UNLESS OTHERWISE SPECIFIED  
DIMENSION ARE IN INCHES

DECIMALS: .X = ± .030  
.XX = ± .020  
.XXX = ± .010

ANGLES: ± 1°  
CABINET SQUARENESS ± .0625

THIS DRAWING IS THE SOLE PROPERTY OF  
DIVERSIFIED WOOD CRAFTS. IT MAY NOT  
BE ALTERED OR CHANGED WITHOUT  
PERMISSION



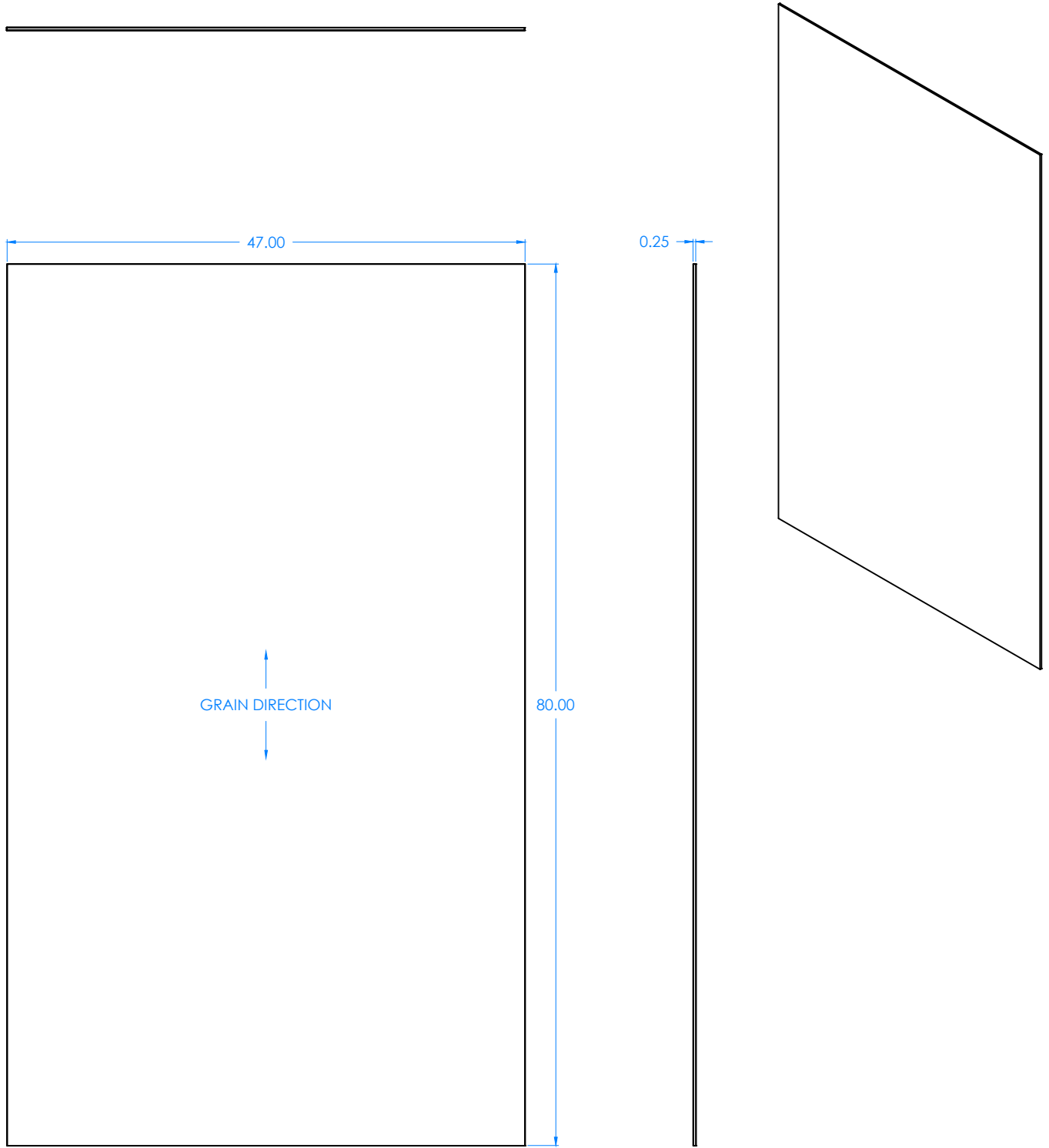
300 South Krueger Street  
Suring, WI 54174  
diversifiedwoodcrafts.com

TITLE: SIDE - 0.75"THK x 22.00"W x 84.00"L

REV.	DESCRIPTION	DATE	NAME	ECN NO.
B	UPDATED SHELF DEPTH, CLIP HOLE LOCATIONS & QUANTITIES	8/10/16	JCF	N/A
A	CREATED DRAWING	2/26/13	JCF	-

REVISION LEVEL

DRAWING NUMBER:	OS-1427	SCALE:	NTS	SHEET:	2 OF 9	REVISION:	REV B
-----------------	---------	--------	-----	--------	--------	-----------	-------



**NOTE:**

1.

DWN BY:	JCF	DWN DATE:	2/26/13
APR BY:		DATE APR:	
APR BY:		DATE APR:	



300 South Krueger Street  
Suring, WI 54174  
diversifiedwoodcrafts.com

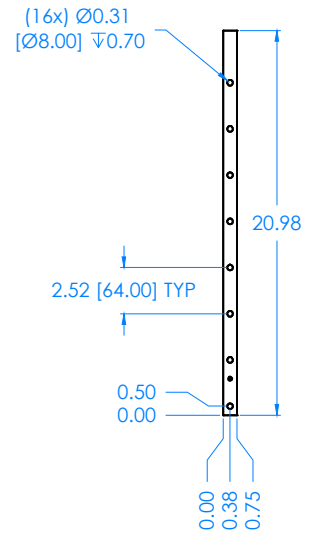
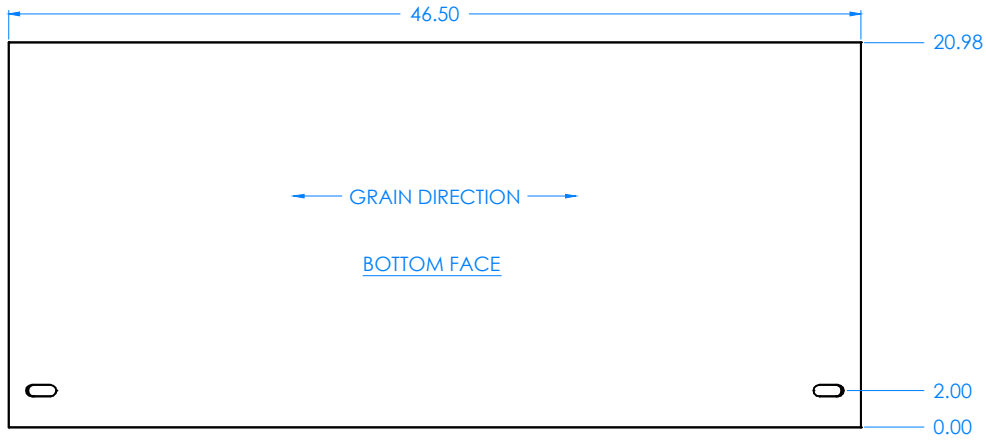
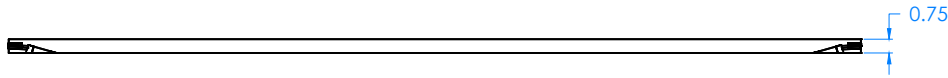
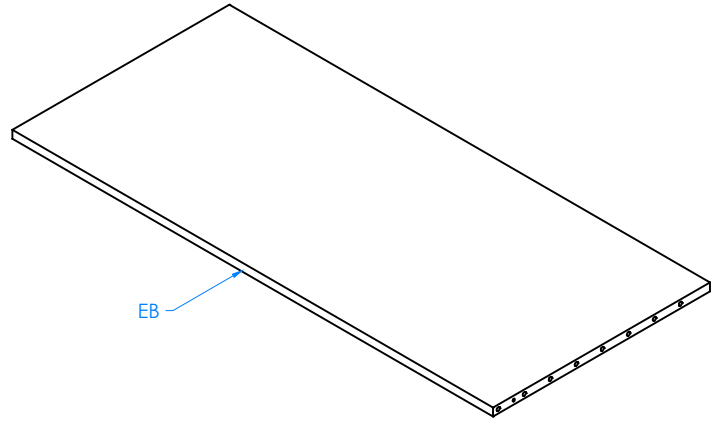
UNLESS OTHERWISE SPECIFIED  
DIMENSION ARE IN INCHES  
DECIMALS: .X = ± .030  
.XX = ± .020  
.XXX = ± .010  
ANGLES: ± 1°  
CABINET SQUARENESS ± .0625

THIS DRAWING IS THE SOLE PROPERTY OF  
DIVERSIFIED WOOD CRAFTS. IT MAY NOT  
BE ALTERED OR CHANGED WITHOUT  
PERMISSION

TITLE: BACK - 0.25"THK x 47.00"W x 80.00"L

REV.	DESCRIPTION	DATE	NAME	ECN NO.
B	UPDATED SHELF DEPTH, CLIP HOLE LOCATIONS & QUANTITIES	8/10/16	JCF	N/A
A	CREATED DRAWING	2/26/13	JCF	-
REVISION LEVEL				

DRAWING NUMBER:	OS-1427	SCALE:	NTS	SHEET:	3 OF 9	REVISION:	REV B
-----------------	---------	--------	-----	--------	--------	-----------	-------



**NOTE:**

1.

DWN BY:	JCF	DWN DATE:	2/26/13
APR BY:		DATE APR:	
APR BY:		DATE APR:	



300 South Krueger Street  
Suring, WI 54174  
diversifiedwoodcrafts.com

UNLESS OTHERWISE SPECIFIED  
DIMENSION ARE IN INCHES  
DECIMALS: .X = ± .030  
.XX = ± .020  
.XXX = ± .010  
ANGLES: ± 1°  
CABINET SQUARENESS ± .0625

THIS DRAWING IS THE SOLE PROPERTY OF  
DIVERSIFIED WOOD CRAFTS. IT MAY NOT  
BE ALTERED OR CHANGED WITHOUT  
PERMISSION

TITLE:  
BOTTOM - 0.75"THK x 20.98"W x 46.50"L

REV.	DESCRIPTION	DATE	NAME	ECN NO.
B	UPDATED SHELF DEPTH, CLIP HOLE LOCATIONS & QUANTITIES	8/10/16	JCF	N/A
A	CREATED DRAWING	2/26/13	JCF	-

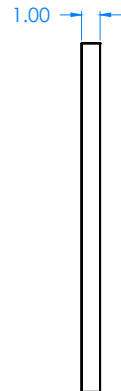
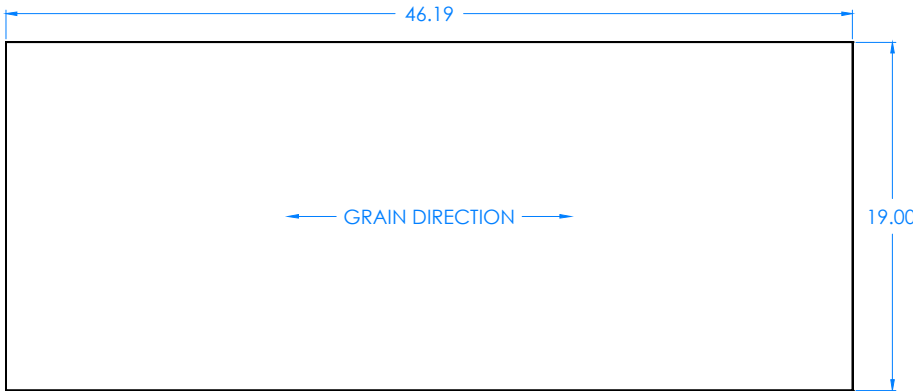
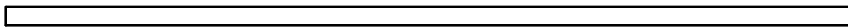
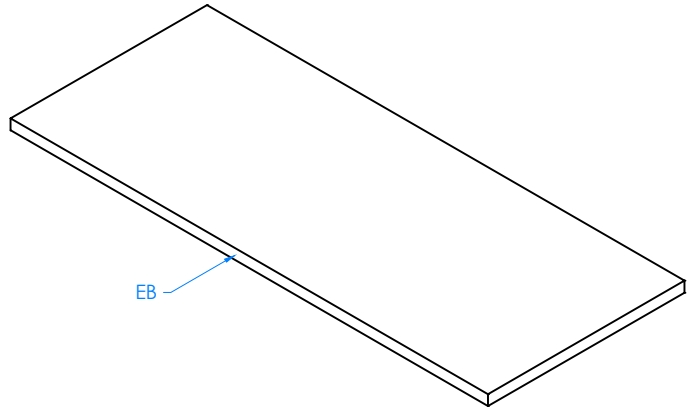
DRAWING NUMBER:

OS-1427

SCALE:  
NTS

SHEET:  
4 OF 9

REVISION:  
REV B



**NOTE:**

- 1. QTY (4) PER UNIT.

DWN BY:	JCF	DWN DATE:	2/26/13
APR BY:		DATE APR:	
APR BY:		DATE APR:	



300 South Krueger Street  
Suring, WI 54174  
diversifiedwoodcrafts.com

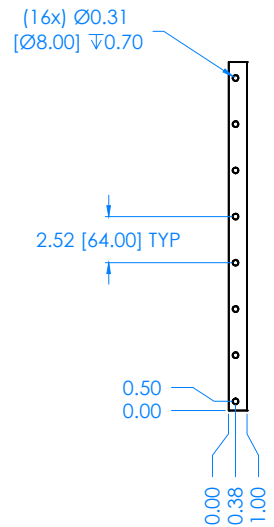
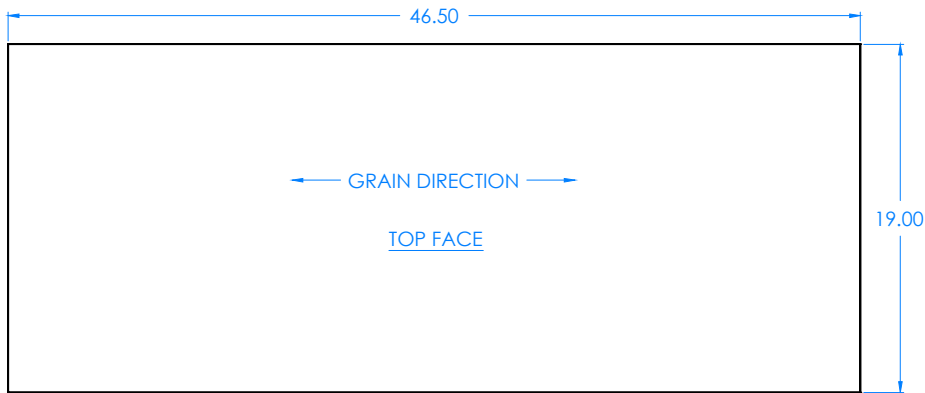
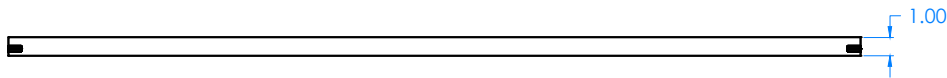
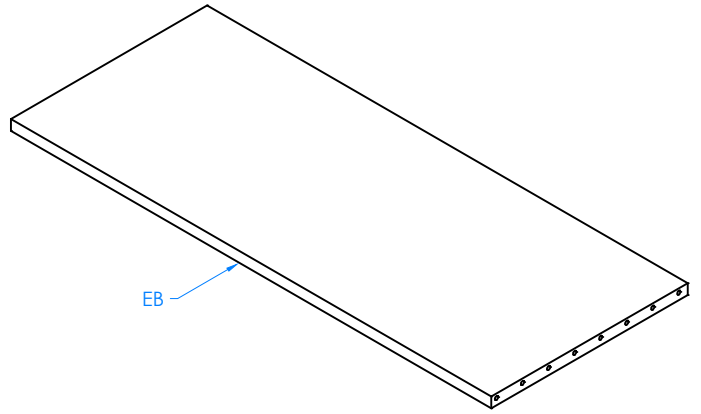
UNLESS OTHERWISE SPECIFIED  
DIMENSION ARE IN INCHES  
DECIMALS: .X = ± .030  
.XX = ± .020  
.XXX = ± .010  
ANGLES: ± 1°  
CABINET SQUARENESS ± .0625

THIS DRAWING IS THE SOLE PROPERTY OF  
DIVERSIFIED WOOD CRAFTS. IT MAY NOT  
BE ALTERED OR CHANGED WITHOUT  
PERMISSION

TITLE: ADJUSTABLE SHELF - 1.00"THK x 19.00"W x 46.19"L

REV.	DESCRIPTION	DATE	NAME	ECN NO.
B	UPDATED SHELF DEPTH, CLIP HOLE LOCATIONS & QUANTITIES	8/10/16	JCF	N/A
A	CREATED DRAWING	2/26/13	JCF	-
REVISION LEVEL				

DRAWING NUMBER:	OS-1427	SCALE:	NTS	SHEET:	5 OF 9	REVISION:	REV B
-----------------	---------	--------	-----	--------	--------	-----------	-------



**NOTE:**

1.

DWN BY:	JCF	DWN DATE:	2/26/13
APR BY:		DATE APR:	
APR BY:		DATE APR:	

UNLESS OTHERWISE SPECIFIED DIMENSION ARE IN INCHES  
 DECIMALS: .X = ± .030  
 .XX = ± .020  
 .XXX = ± .010  
 ANGLES: ± 1°  
 CABINET SQUARENESS ± .0625

THIS DRAWING IS THE SOLE PROPERTY OF DIVERSIFIED WOOD CRAFTS. IT MAY NOT BE ALTERED OR CHANGED WITHOUT PERMISSION

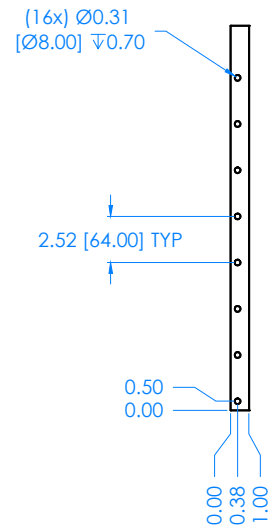
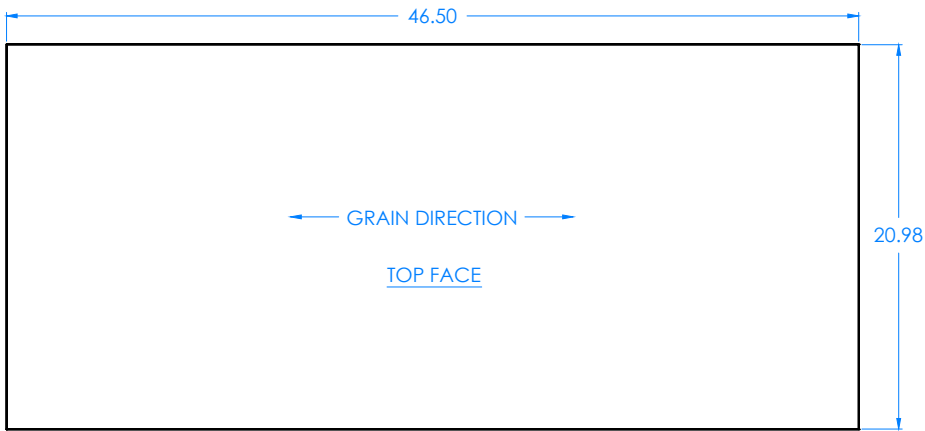
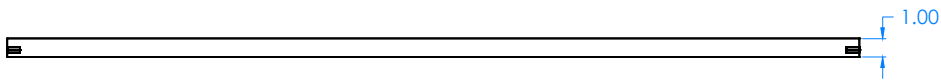
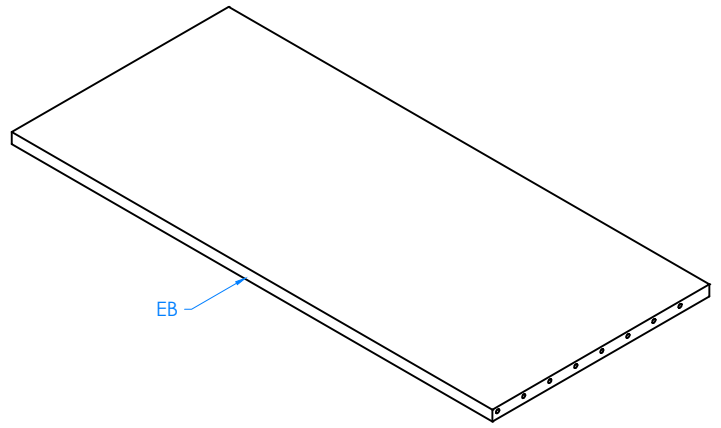


300 South Krueger Street  
 Suring, WI 54174  
 diversifiedwoodcrafts.com

TITLE: **FIXED SHELF - 1.00"THK x 19.00"W x 46.50"L**

REV.	DESCRIPTION	DATE	NAME	ECN NO.
B	UPDATED SHELF DEPTH, CLIP HOLE LOCATIONS & QUANTITIES	8/10/16	JCF	N/A
A	CREATED DRAWING	2/26/13	JCF	-
REVISION LEVEL				

DRAWING NUMBER:	SCALE:	SHEET:	REVISION:
OS-1427	NTS	6 OF 9	REV B



**NOTE:**

1.

DWN BY:	JCF	DWN DATE:	2/26/13
APR BY:		DATE APR:	
APR BY:		DATE APR:	

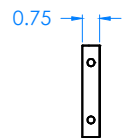
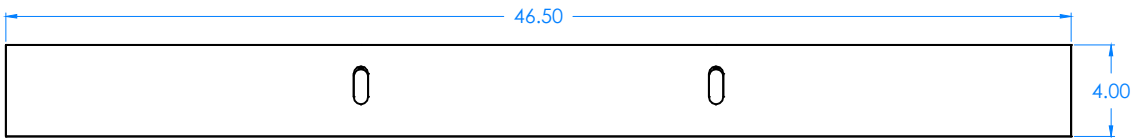
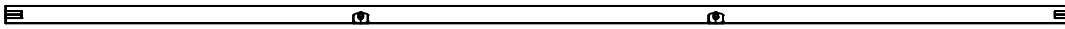
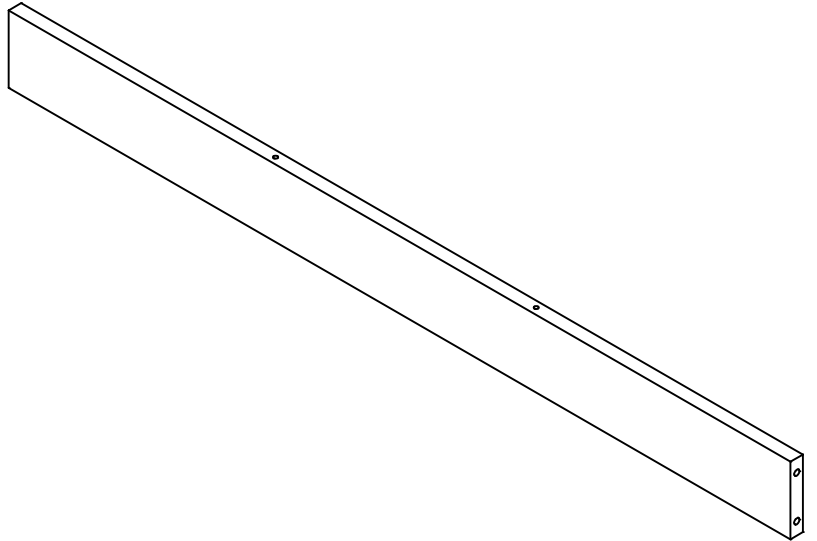

 300 South Krueger Street  
 Suring, WI 54174  
 diversifiedwoodcrafts.com

UNLESS OTHERWISE SPECIFIED  
 DIMENSION ARE IN INCHES  
 DECIMALS: .X = ± .030  
 .XX = ± .020  
 .XXX = ± .010  
 ANGLES: ± 1°  
 CABINET SQUARENESS ± .0625  
 THIS DRAWING IS THE SOLE PROPERTY OF  
 DIVERSIFIED WOOD CRAFTS. IT MAY NOT  
 BE ALTERED OR CHANGED WITHOUT  
 PERMISSION

TITLE: TOP - 1.00"THK x 20.98"W x 46.50"L

REV.	DESCRIPTION	DATE	NAME	ECN NO.
B	UPDATED SHELF DEPTH, CLIP HOLE LOCATIONS & QUANTITIES	8/10/16	JCF	N/A
A	CREATED DRAWING	2/26/13	JCF	-
REVISION LEVEL				

DRAWING NUMBER:	OS-1427	SCALE:	NTS	SHEET:	7 OF 9	REVISION:	REV B
-----------------	---------	--------	-----	--------	--------	-----------	-------



**NOTE:**

- SEE REFERENCE DRAWING "TOE KICK - 4IN - DETAIL".

DWN BY:	JCF	DWN DATE:	2/26/13
APR BY:		DATE APR:	
APR BY:		DATE APR:	



300 South Krueger Street  
Suring, WI 54174  
diversifiedwoodcrafts.com

UNLESS OTHERWISE SPECIFIED  
DIMENSION ARE IN INCHES  
DECIMALS: .X = ± .030  
.XX = ± .020  
.XXX = ± .010  
ANGLES: ± 1°  
CABINET SQUARENESS ± .0625

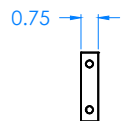
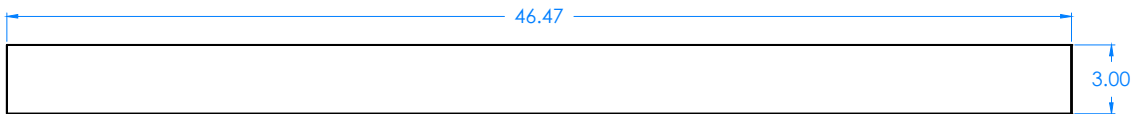
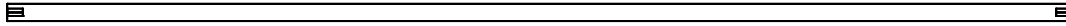
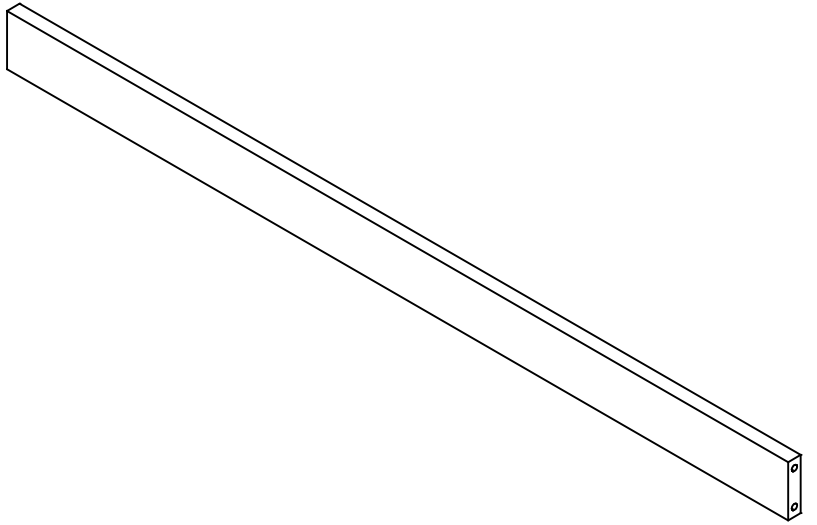
THIS DRAWING IS THE SOLE PROPERTY OF  
DIVERSIFIED WOOD CRAFTS. IT MAY NOT  
BE ALTERED OR CHANGED WITHOUT  
PERMISSION

TITLE: TOEKICK - 0.75"THK x 4.00"W x 46.50"L

REV.	DESCRIPTION	DATE	NAME	ECN NO.
B	UPDATED SHELF DEPTH, CLIP HOLE LOCATIONS & QUANTITIES	8/10/16	JCF	N/A
A	CREATED DRAWING	2/26/13	JCF	-

DRAWING NUMBER:	OS-1427	SCALE:	NTS	SHEET:	8 OF 9	REVISION:	REV B
-----------------	---------	--------	-----	--------	--------	-----------	-------





**NOTE:**

1. QTY (3) PER UNIT.
2. SEE REFERENCE DRAWING "FASTENING CLEAT - 3IN - DETAIL".

DWN BY:	JCF	DWN DATE:	2/26/13
APR BY:		DATE APR:	
APR BY:		DATE APR:	



300 South Krueger Street  
Suring, WI 54174  
diversifiedwoodcrafts.com

UNLESS OTHERWISE SPECIFIED  
DIMENSION ARE IN INCHES  
DECIMALS: .X = ± .030  
.XX = ± .020  
.XXX = ± .010  
ANGLES: ± 1°  
CABINET SQUARENESS ± .0625

THIS DRAWING IS THE SOLE PROPERTY OF  
DIVERSIFIED WOOD CRAFTS. IT MAY NOT  
BE ALTERED OR CHANGED WITHOUT  
PERMISSION

TITLE:  
**FASTENING CLEAT - 0.75"THK x 3.00"W x 46.47"L**

REV.	DESCRIPTION	DATE	NAME	ECN NO.
B	UPDATED SHELF DEPTH, CLIP HOLE LOCATIONS & QUANTITIES	8/10/16	JCF	N/A
A	CREATED DRAWING	2/26/13	JCF	-

DRAWING NUMBER:	OS-1427	SCALE:	NTS	SHEET:	9 OF 9	REVISION:	REV B
-----------------	---------	--------	-----	--------	--------	-----------	-------