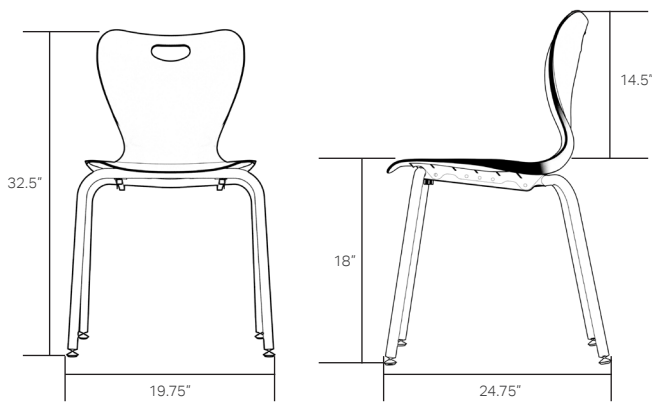


NOVA™ SERIES STACKING CHAIR

MADE BY  MARCO™

FEATURES

- One-piece molded polypropylene shell
- Frame constructed of 1" diameter 16-gauge tubular steel with chrome finish
- Legs are fully welded to two channel brackets for superior strength and durability
- Nickel-plated, self-leveling nylon glides that reduce scuffing and marring
- Available in 18" seat height
- Stacks 8 high
- Rated for use up to 300 lbs.
- Sold only in quantities of 46



MODEL	DESCRIPTION	UNITS PER PALLET	HEIGHT	WIDTH	DEPTH	WEIGHT	F.C.
N101U-18CR-BK	18" Chair / Black w/ Chrome Frame	46	32.5"	19.75"	24.75"	9.4 lbs	n/a
N101U-18CR-NA	18" Chair / Navy w/ Chrome Frame	46	32.5"	19.75"	24.75"	9.4 lbs	n/a

STANDARD COLOR OPTIONS



Black

Navy

LEG COLOR OPTION



Chrome



OPTIONAL FELT GLIDES AVAILABLE.
Model # 98-1017 (Sold in sets of 4)

NOTE: Nova chair must be ordered in pallet quantities of 46 units. Pallets will not be broken up for smaller quantity orders. Please contact your RSE if you have any questions or concerns in placing an order for these chairs.



5400 Doniphan Drive, Neosho, MO 64850 | (888) 627-2601 | madebymarco.net