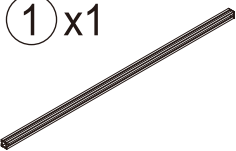
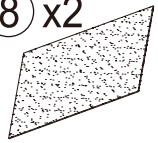


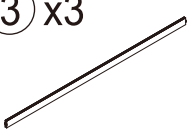
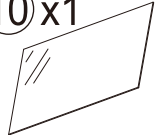
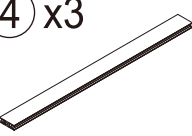

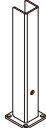

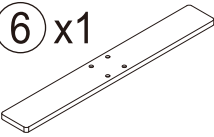



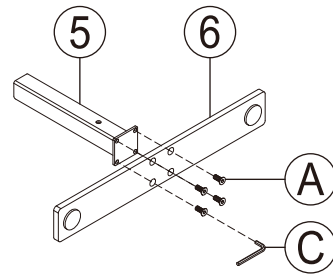


LUXOR

MW-5370-XFCG INSTRUCTIONS

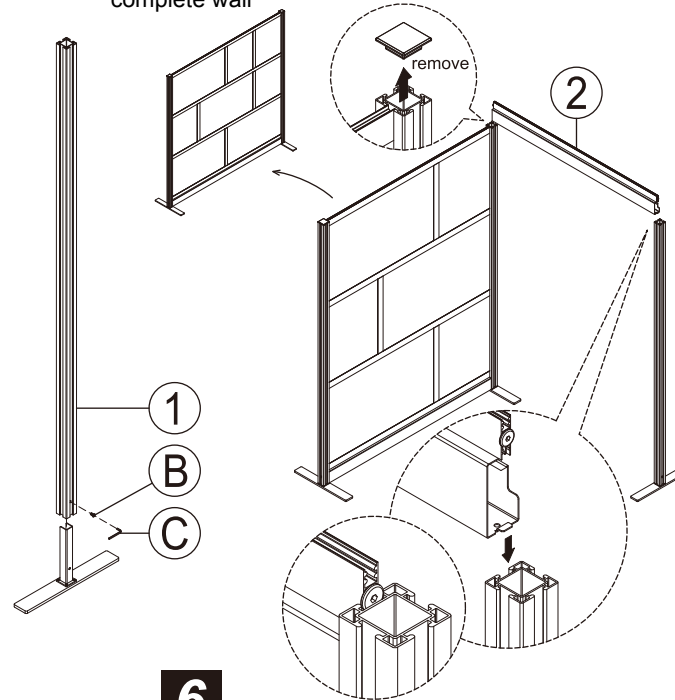
① x1 	⑧ x2  33.25" x 20.75" PET Panel
② x1 	⑨ x2  16.25" x 20.75" PET Panel
③ x3 	⑩ x1  33.25" x 20.75" Acrylic Panel
④ x3 	⑪ x1  16.25" x 20.75" Acrylic Panel
⑤ x1 	① x4  M6x15mm
⑥ x1 	② x1  1/4"x10mm
⑦ x1 	③ x1  4mm

1

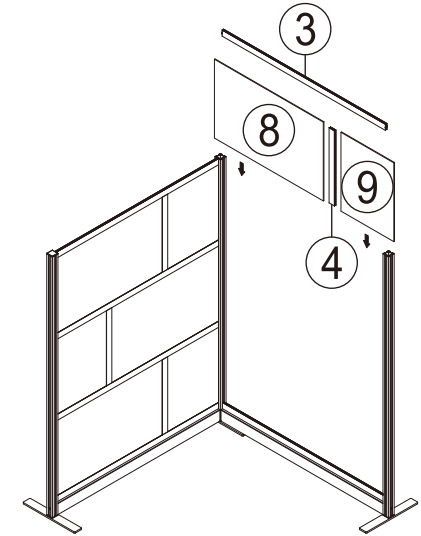


2

Previously assembled complete wall



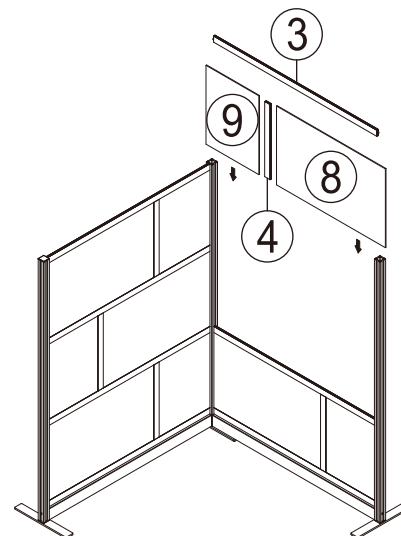
3



4

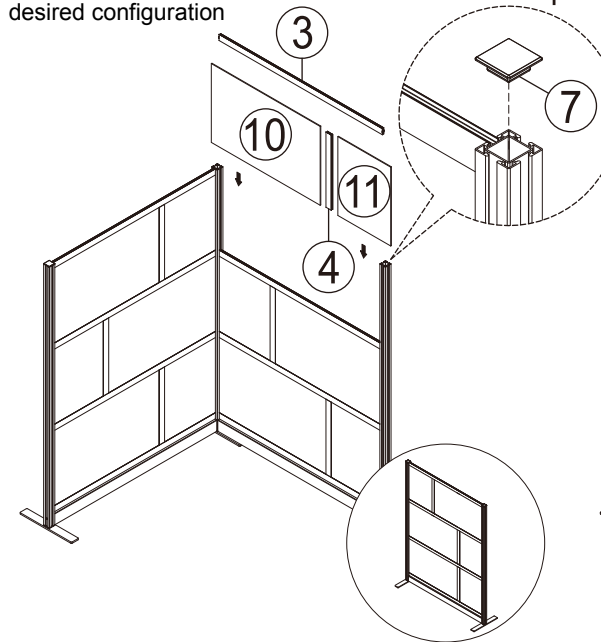
5

Panels located in Box: 2 of 2



6

*Panels can be arranged in desired configuration



7

last step:

