
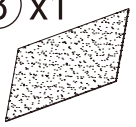
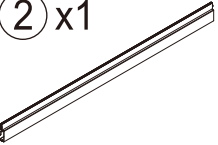
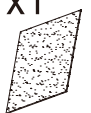
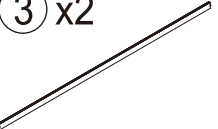
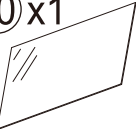

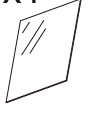


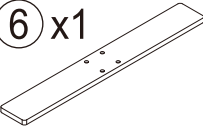



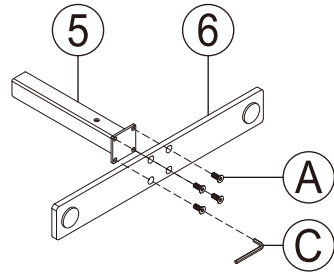


LUXOR

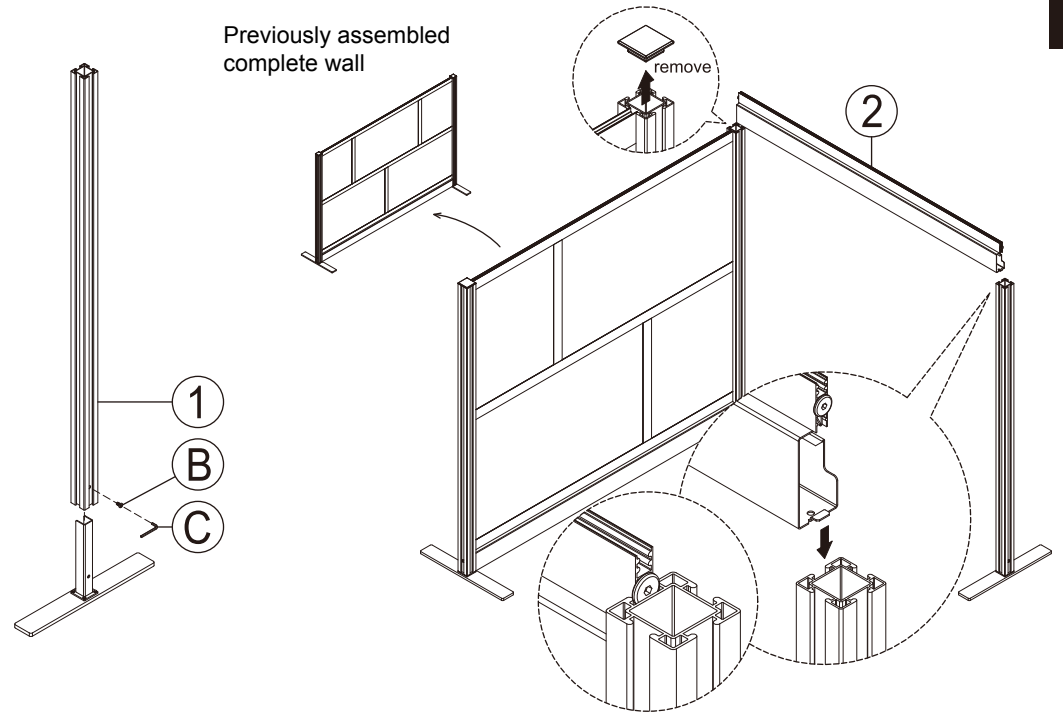
MW-5348-XFCG INSTRUCTIONS

① x1 	⑧ x1  33.25" x 20.75" PET Panel
② x1 	⑨ x1  16.25" x 20.75" PET Panel
③ x2 	⑩ x1  33.25" x 20.75" Acrylic Panel
④ x2 	⑪ x1  16.25" x 20.75" Acrylic Panel
⑤ x1 	A x4  M6x15mm
⑥ x1 	B x1  1/4"x10mm
⑦ x1 	C x1  4mm

1



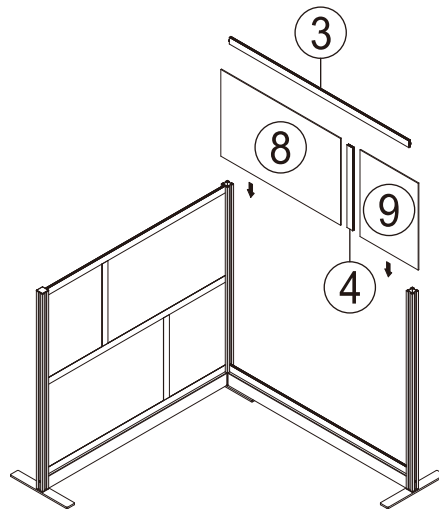
2



3

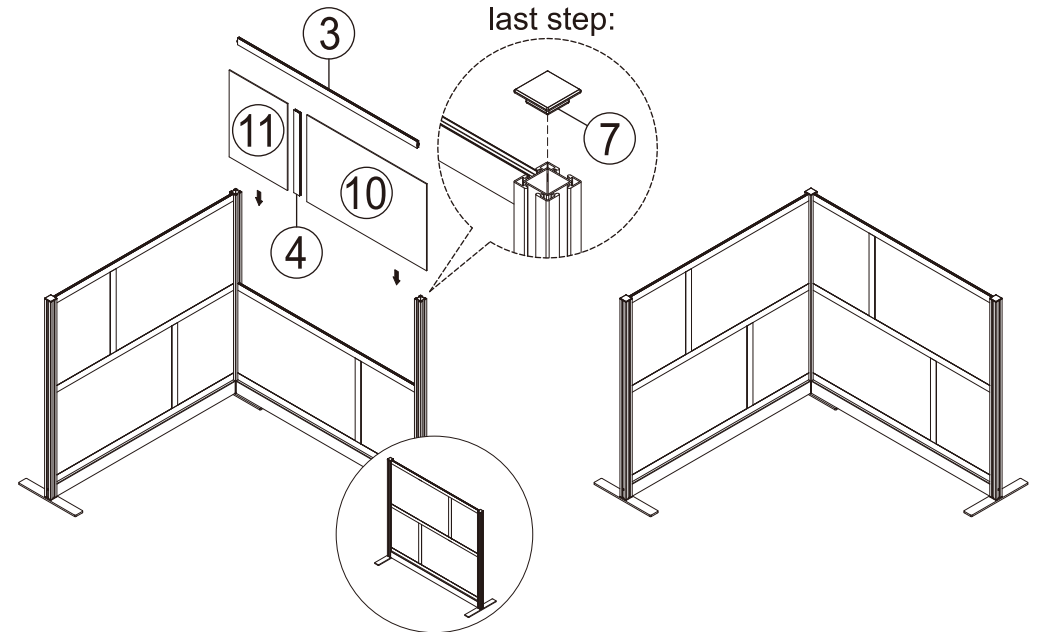
4

Panels located in
Box: 2 of 2



5

*Panels can be arranged in
desired configuration



6