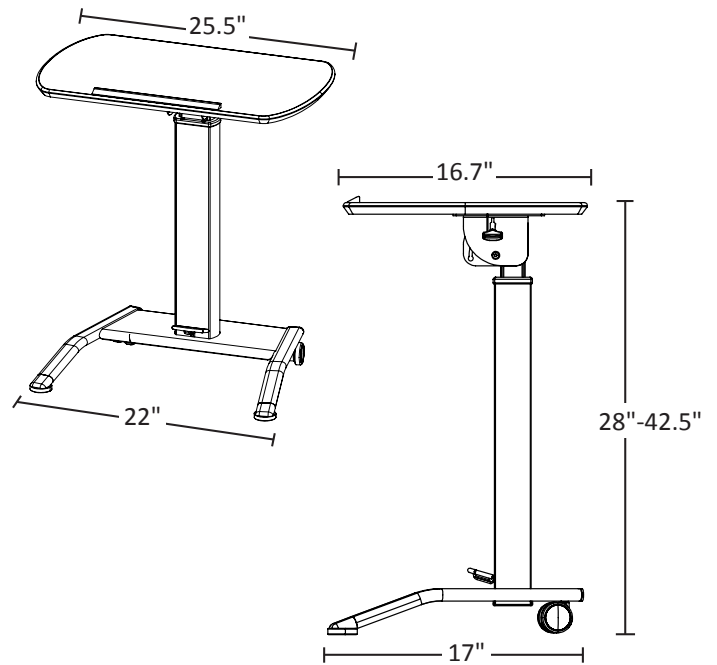


LX-PNADJ-EPW

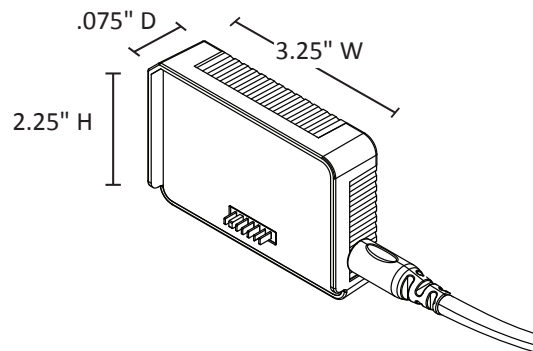
LX-PNADJ-EPW - PNEUMATIC HEIGHT-ADJUSTABLE LECTERN WITH KWIKBOOST EDGEPOWER™ CHARGING STATION

Product Specifications

Item Number	LX-PNADJ-EPW
Overall Dimensions	25.5" W x 17" D x 28" - 42.5" H
Base Dimensions	22" W x 17" D
Tabletop Dimensions	25.5" W x 16.7" D x .07" H
Item Weight	23.1 lbs
Leg/Base Make	Powder Coated Steel
Height Expansion Make	Aluminum
Tabletop Make	Medium Density Fiberboard (MDF) with Rubber Trim
Tilt	4 Positions; 10°, 20°, 30°, 90°
Paper-Stop Lip	Yes
Height Adjustment Mechanism	Pneumatic Gas Foot Pedal
Weight Capacity	100 lbs
Casters (2)	2" Casters, 2 Stationary Rubber Feet
Shipping Method	Ground
Shipping Carton Dims	34" W x 21" D x 5" H
Shipping Weight	27 lbs
Assembly Required	Yes



Item Number	KBEP-BASE1
Overall Dimensions	0.75" D x 3.25" W x 2.25" H
Battery Slots	1
Input Power	100-240V 50/60Hz (2A)
Output Power (to battery)	25.5V 3.0A
Battery Cell Recharge Time	2 hours
Shipping Method	Ground
Shipping Carton Dimensions*	1 carton; 10" W x 10" D x 2" H
Shipping Weight*	2 lbs.



To Order, Call Your Sales Representative
or 800-323-4656

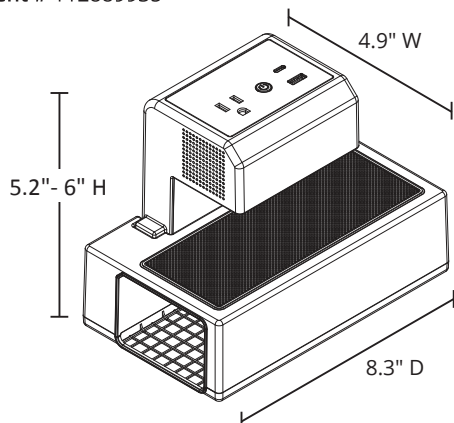
LX-PNADJ-EPW

LX-PNADJ-EPW - PNEUMATIC HEIGHT-ADJUSTABLE LECTERN WITH KWIKBOOST EDGEPOWER™ CHARGING STATION

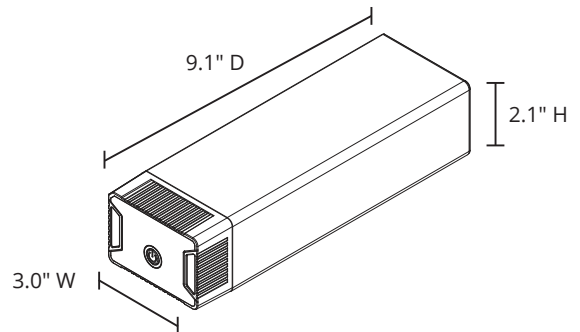
Product Specifications

Item Number	KBEP-CGR
Overall Dimensions	8.3" D x 4.9" W x 5.2" to 6" H (based on desk clamp setting)
Overall Dimensions (with battery inserted)	10.3" x 4.9" W x 5.2" to 6" H (based on desk clamp setting)
Desk Clamp Adjustment Range	0.7" to 1.5"
AC Outlet	100V-120V, 60Hz, modified sine wave
AC Outlet Continuous Output Power	90W
AC Outlet Peak Output Power	95W (10 minutes)
USB-A port	5V/2.4A (12W) - Quick Charge 3.0 Technology
USB-C PD port	5V/2A (10W), 12V/1.5A (18W)
Controls	Power switch (turns AC outlet on and off)
Device protection	Temperature protection, short circuit protection, self-balancing algorithm, overcharge protection
Output protection	AC/USB outlet protection, power overflow protection, voltage underflow/overflow protection
Shipping Method	Ground
Shipping Carton Dimensions	1 carton; 11" W x 7" D x 8" H
Shipping Weight	3 lbs.

US Patent # 112889935



Item Number	KBEP-BAT (Contains QTY 2)
Overall Dimensions	9.1" D x 3.0" W x 2.1" H
Capacity	146.52Wh (18 cells)
Cell Type	18650 Li-ion battery (2200mAh at 3.7V)
Life Cycles	500 times (at higher than 80% of the initial capacity)
Shelf Life	1 year after first charge
Battery Shipping Classifications	UN 3480
Battery Cell Recharge Time	2 hours
Input Protection	Charging overflow protection, charging circuit protection
Shipping Method	Ground
Shipping Carton Dimensions	1 carton; 12" W x 6" D x 5" H
Shipping Weight	4 lbs.



To Order, Call Your Sales Representative or 800-323-4656

Certifications:

	FCC	Prop 65	CPSC	UL	cULus	CSA	cETLus
Battery	•	•	•				•
Clamp	•	•	•				
Single Charger	•	•			•		