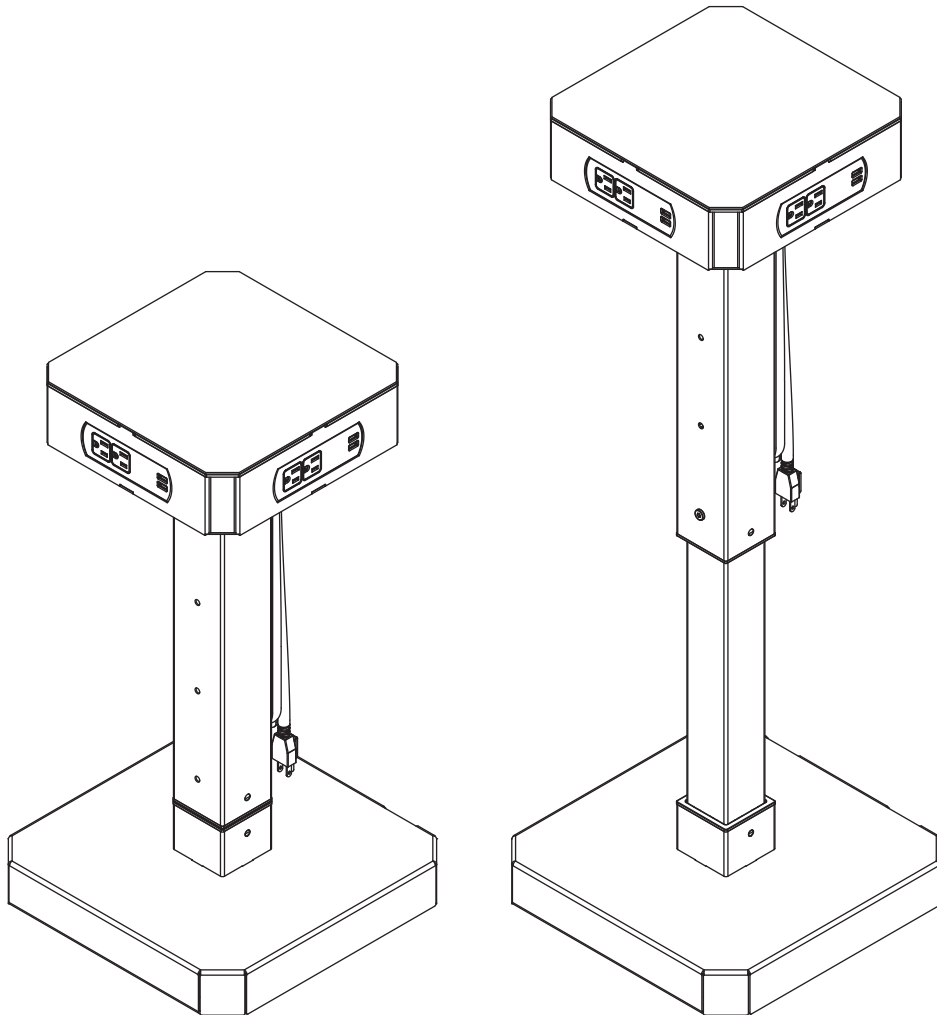


# LUXOR



Questions or concerns?  
Contact us directly!



1-800-323-4656  
Info@LuxorFurn.com

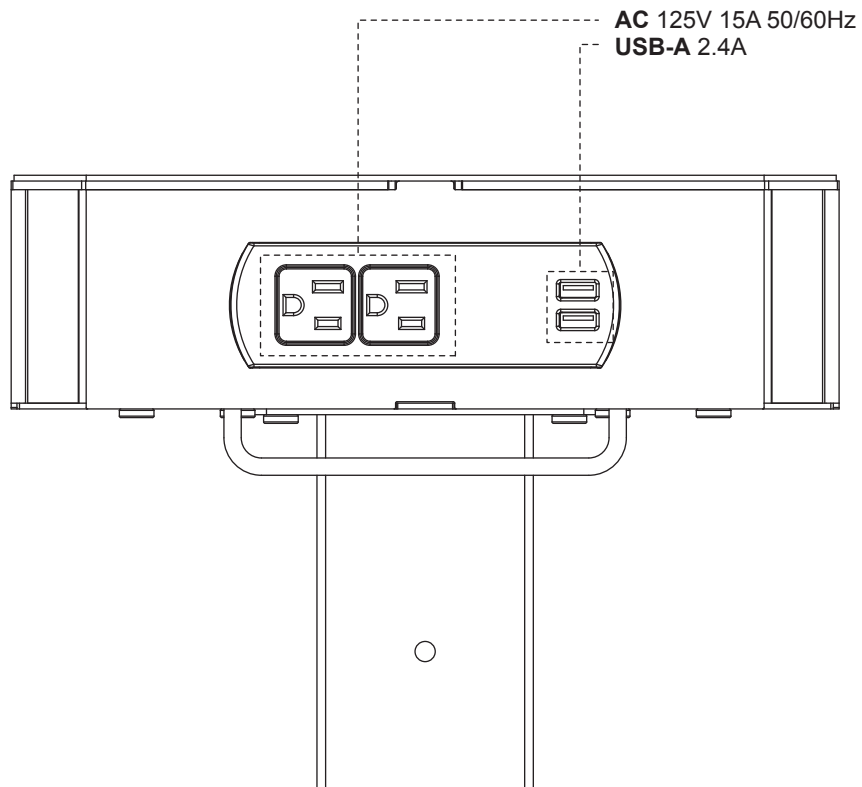
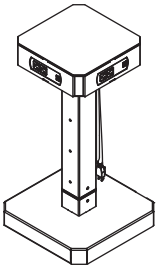
## HEIGHT ADJUSTABLE CHARGING STAND INSTRUCTIONS

# WARNINGS

- **TIPPING RISK:** Caution is necessary when moving the unit. Use the underside handles when possible.
- **OUTLETS:** Do not touch the outlets with any metal objects. There is a risk of electrical shock and serious injury.
- **CORDS:** Do not use the unit if cord is damaged or frayed. There is a risk of electrical shock and serious injury.
- **WEIGHT CAPACITY:** Do not sit on, stand on, or place unreasonably heavy objects on the unit. Periodically check to ensure set screw is properly tightened.
- **USER RISKS:** Caution is necessary when children, the elderly, or persons with disabilities are close to the unit.
- **ENVIRONMENT CONSIDERATIONS:** Do not use outdoors, in wet environments, or in areas near the potential for spilled liquids.

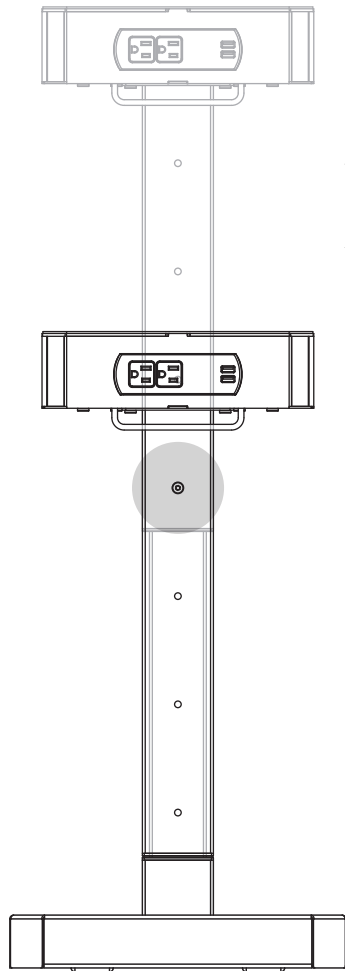
# INCLUDED

**A** QTY: 1



# 1 ADJUST HEIGHT

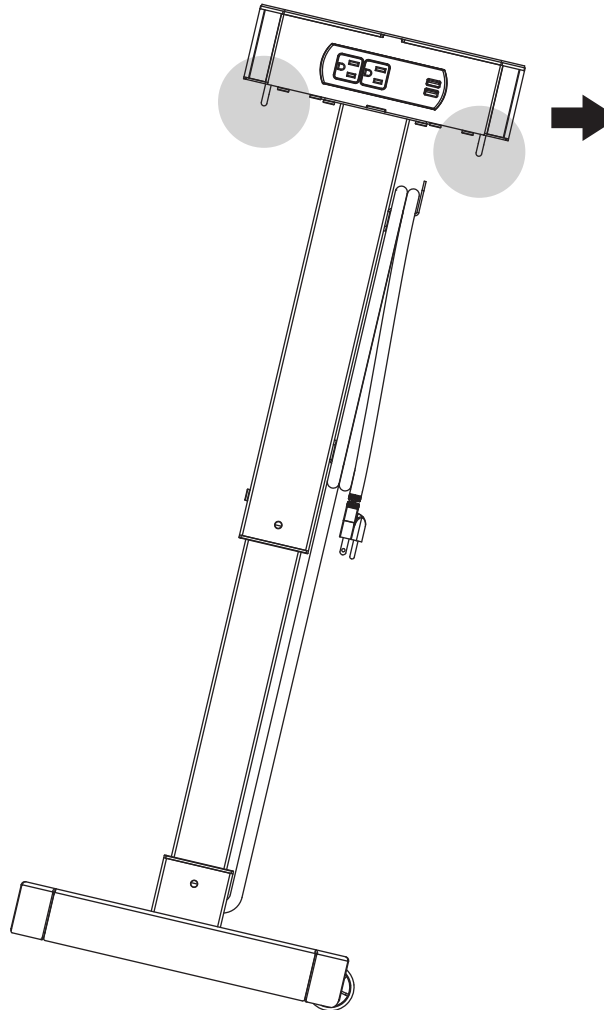
- Loosen set screw
- Adjust height as desired
- Tighten set screw



26.5" - 40"

# 2 MOVE

- Wrap cord around brackets
- Grab handles as needed
- Pull to desired location, utilizing casters



# 3 PLUG IN

- Unwrap cord from brackets
- Plug cord into wall outlet
- Enjoy the shareable power

