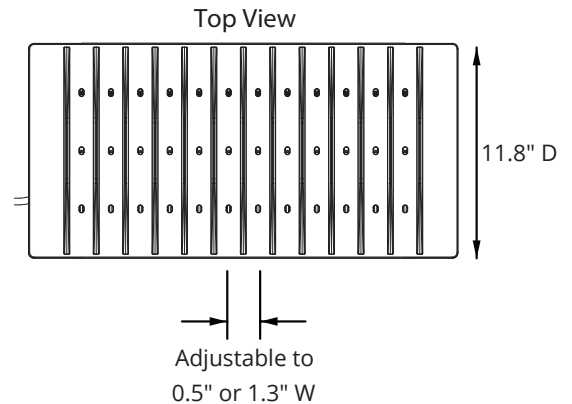
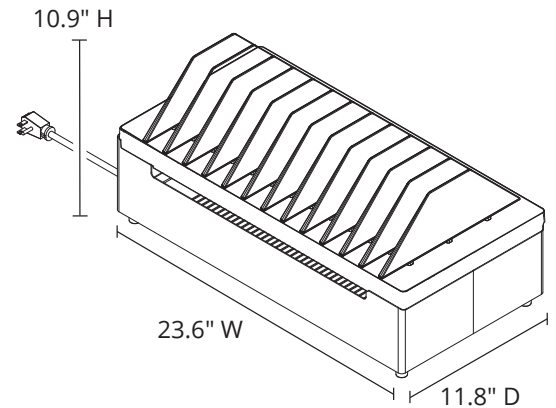


LOTT12

12-PORT CHARGING STATION FOR LAPTOPS, TABLETS, AND DEVICES

Product Specifications

| | |
|---|---|
| Item Number | LOTT12 |
| Lid and Divider Fin Material | ABS plastic |
| Base Material | Steel with powder coated finish |
| Foot Material | Thermoplastic elastomer (TPR) |
| Overall Dimensions | 23.6" W x 11.8" D x 10.9" H |
| Adjustable Storage Slot Dimensions | 4.1" H x 11.8" D x 0.5" or 1.3" W |
| Device Compatibility | Laptops, tablets, and phones with up to a 16" screen |
| Total Weight Capacity | 44 lbs. |
| Individual Storage Slot Weight Capacity | 5 lbs. (combined device weight cannot exceed total weight capacity) |
| Power Strip | 14-outlet AC, UL certified, no surge protection, 15A circuit breaker, and on/off switch |
| Power Cord Length | 10' |
| Product Weight | 19.8 lbs. |
| Shipping Method | Ground |
| Shipping Carton Dimensions | 26" W x 14" D x 8.5" H |
| Shipping Weight | 22 lbs. |
| Assembly Required | No |



To Order, Call Your
Sales Representative
or 800-323-4656