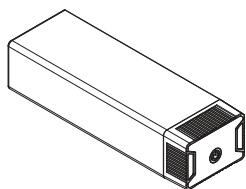
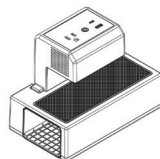


In the Box:

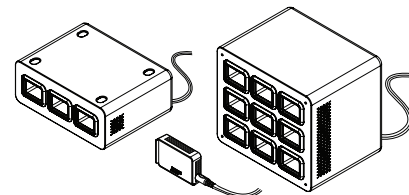


Rechargeable Battery

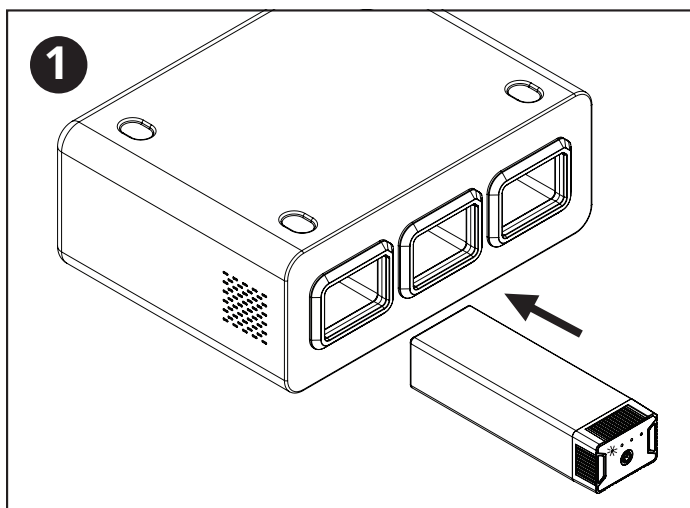
Ships / Sold Separately:



Clamp-On Desktop Charging Unit



Battery Charging Options

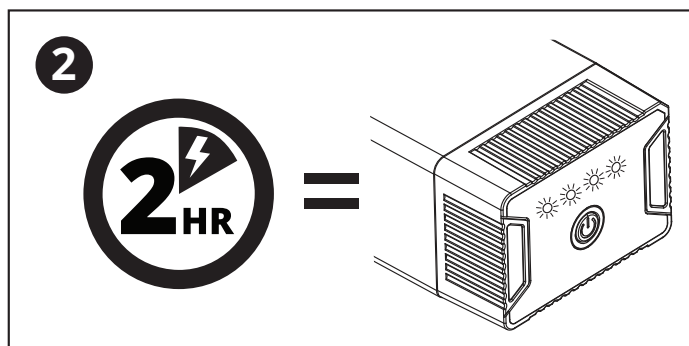


Insert Rechargeable Battery into Base Charging Station.

When fully connected, Rechargeable Battery indicator lights will blink to show charging status.

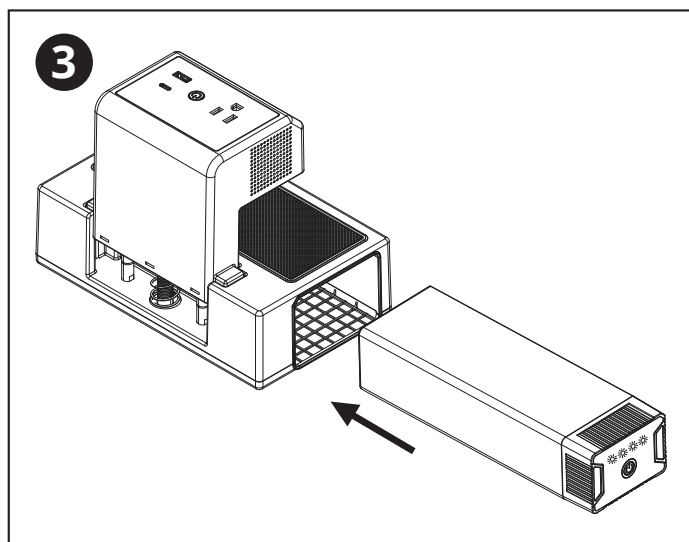
- **1st dot blinking**
= 0 to 24% charged
- **2nd dot blinking, 1st dot solid**
= 25 to 49% charge
- **3rd dot blinking, 1st & 2nd dot solid**
= 50 to 74% charged
- **4th dot blinking, 1st, 2nd, & 3rd dot solid**
= 75 to 99% charged

NOTE: Battery will ship only partially charged and must be fully charged before first use.

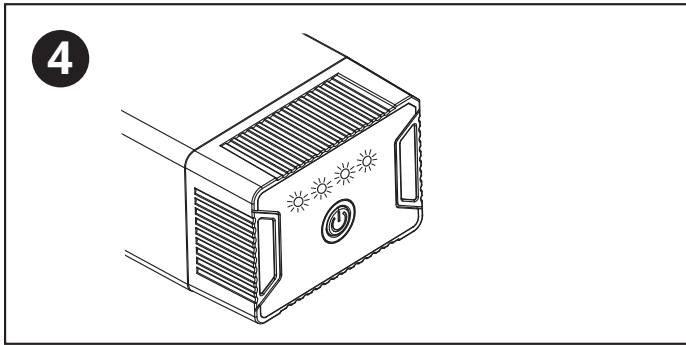


Allow two (2) hours for Batteries to fully charge.

When all four indicator lights illuminate solid, the Battery is fully charged.



Remove fully-charged Battery from Base Charging Station and insert into Clamp-On Desktop Charging Unit.



Press power button  on end of Rechargeable Battery to activate indicator lights and monitor power consumption.

- When only one LED is illuminated on Battery, recharge using a Base Charging Station.

TROUBLESHOOTING

Indicator lights not illuminating*

1. Ensure Base Charging Station is fully plugged in and power switch is turned on.
2. Ensure Rechargeable Battery is properly connected to Base Charging Station.
3. If steps 1 and 2 do not work, contact customer service.

*Indicates Rechargeable Battery is not charging when inserted into Base Charging Station.

SAFETY AND CARE

- Fully charge Battery before first use.
- Fully charge Battery at least once every three (3) months to maintain good battery health.
- Keep Battery away from spills and moisture.
- Never store Battery in a high-humidity environment.
- Cannot be used by children without adult supervision.
- Do not use if Battery is damaged.
- Properly dispose of a damaged or end-of-life Battery based on local laws and regulations, and recycle if possible.

SPECIFICATIONS

- **Warranty:** Limited 1-year
- **Output:** 146.52 Wh
- **Cells:** 18 at 2,200mAh, 3.7V each
- **Indicator lights:** Shows 25%, 50%, 75%, and fully-charged
- **Power switch:** Turns indicator lights on and off
- **Designation:** UN 3480 (primary lithium batteries — forbidden for transport aboard passenger aircraft)