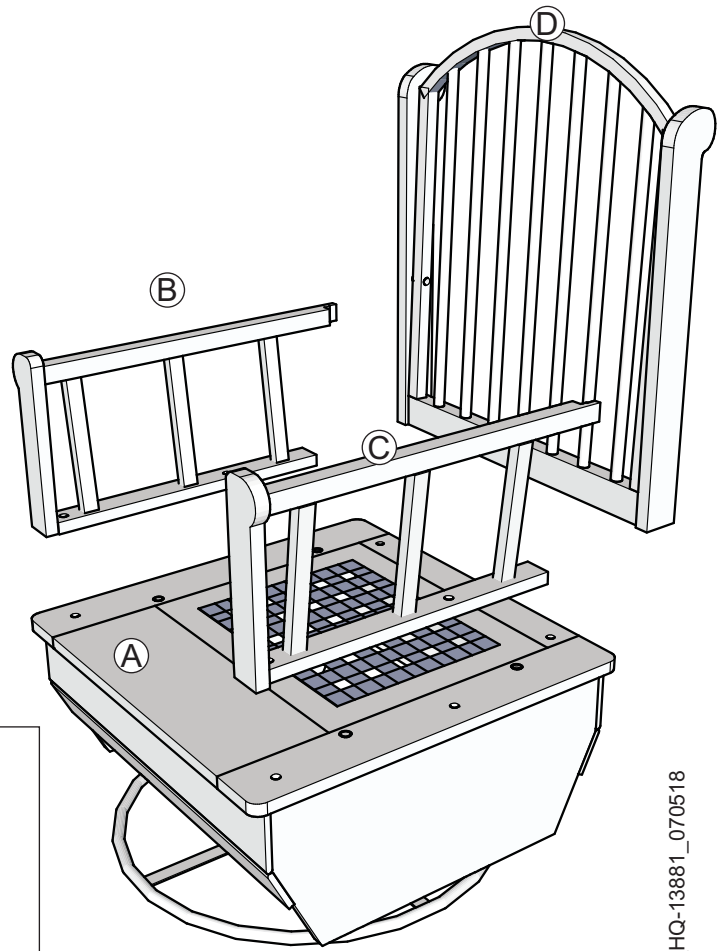
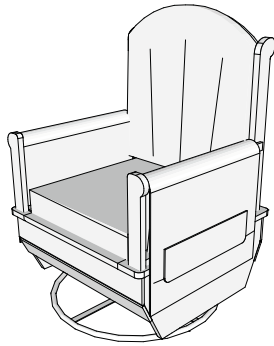
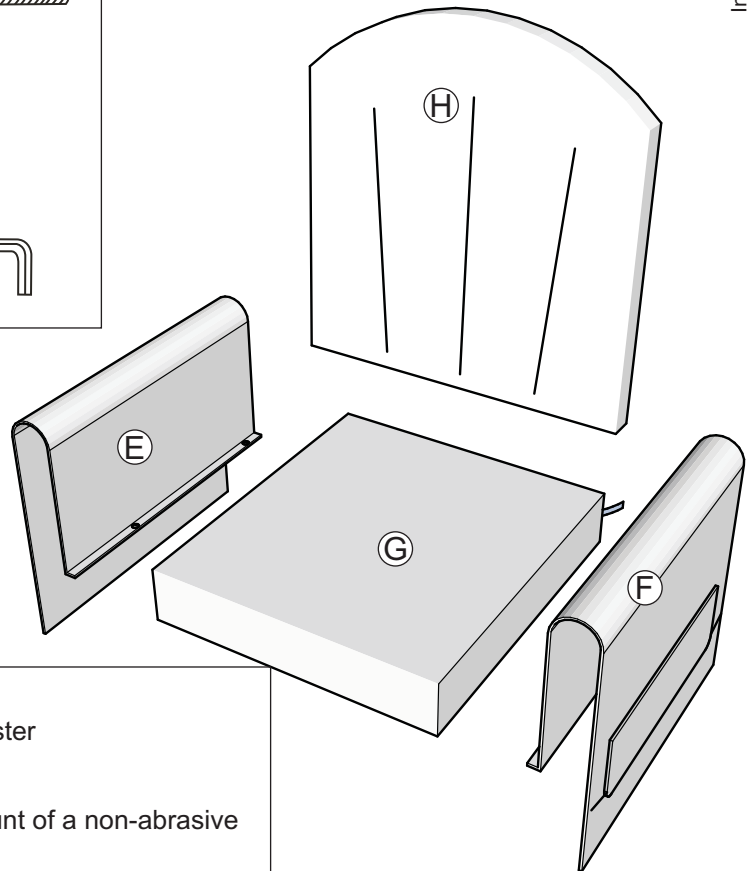
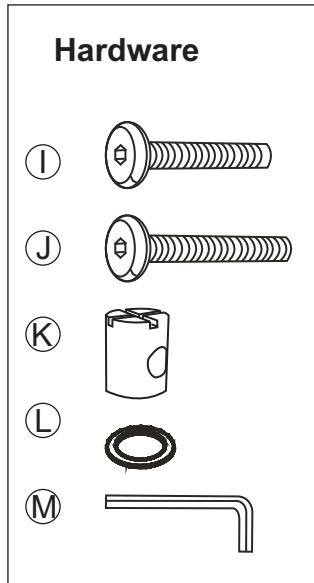


Gliding Swivel Rocker HQ-13881

Assembly Instructions



Part		Qty
A	Base	
B	Left arm rest	1
C	Right arm	1
D	Back rest	1
E	Left Arm	1
F	Right Arm	1
G	Seat Cushion	1
H	Back	1
I	Bolts 35 mm	7
J	Bolts 40 mm	2
K	Barrel Nuts	2
L	Washers	9
M	Allen Wrench	1



Ins_HQ-13881_070518

Cleaning Instructions

Blue fabric is micro fiber fabric, 100% polyester

- Do not use harsh or abrasive cleaners.
- Do not use bleach.
- Spot clean only with a solution of water and very small amount of a non-abrasive mild dish washing liquid.
- Apply to surface with a lint free lightly dampened soft cloth.
- Dry with a soft lint free dry cloth and air dry.

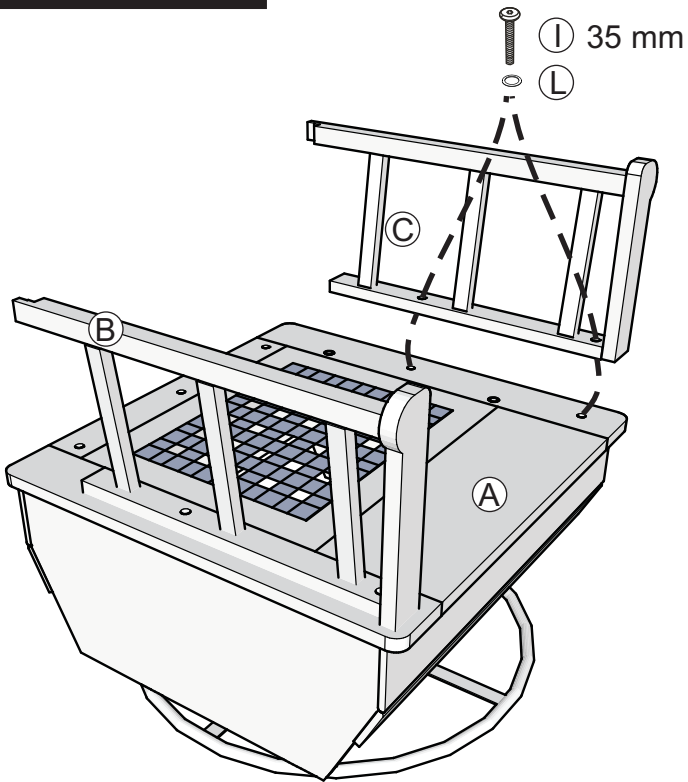
Date of Manufacture

Made in China

L A Baby™ juvenile products - lababyco.com

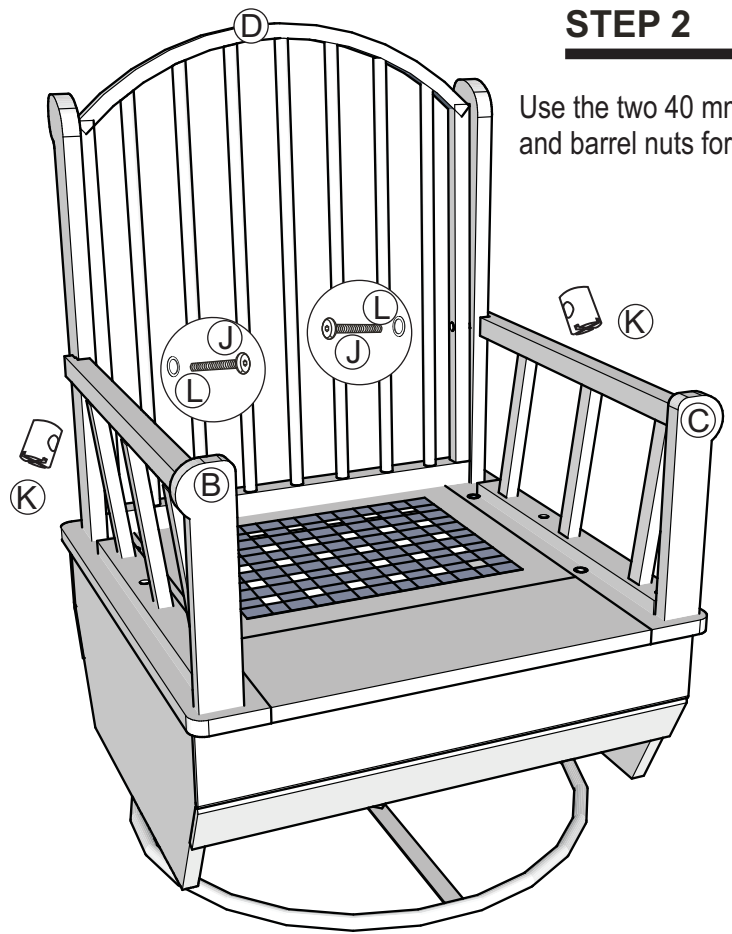
16039 Loukelton Street - City of Industry, California 91744 - Toll free customer service: 800-584-3094 - e-mail: customerservice@lababyco.com

STEP 1



Attach right arm rest (C) to base (A) using two washers (L) and bolts 35 mm (I). Tighten with allen wrench (M). Keep bolts loose until back rest is attached.
Repeat for left arm rest.

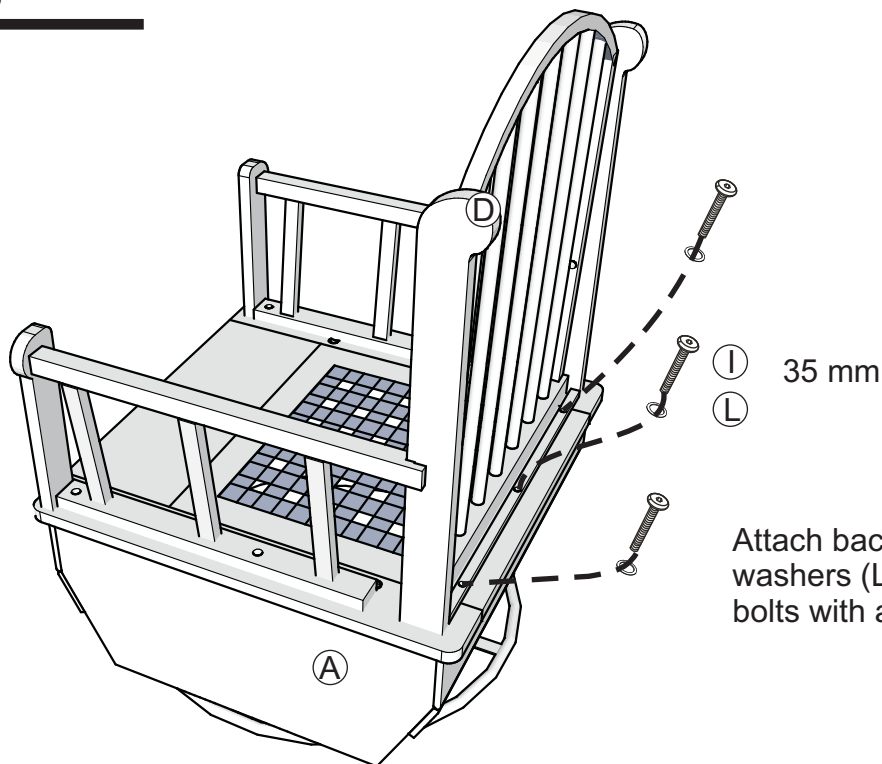
STEP 2



Use the two 40 mm bolts and barrel nuts for this step.

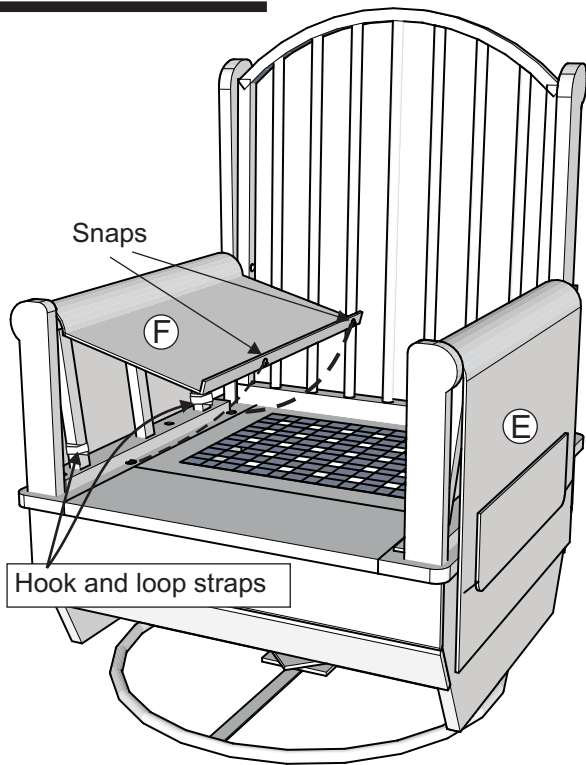
Attach back rest (D) to arm rests (B & C) using two washers (L), bolts 40mm (J) and barrel nuts (K). Tighten with allen wrench (M). Keep bolts loose until step 3 is completed.

STEP 3



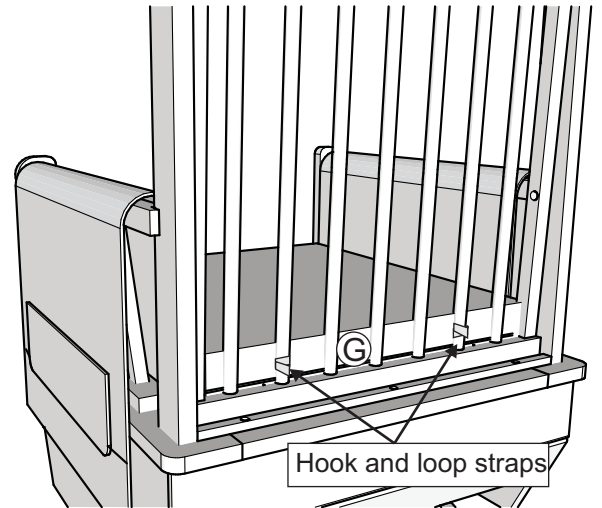
Attach back rest (D) to base (A) using three washers (L) and bolts (I). Now tighten all 9 bolts with allen wrench (M).

STEP 4



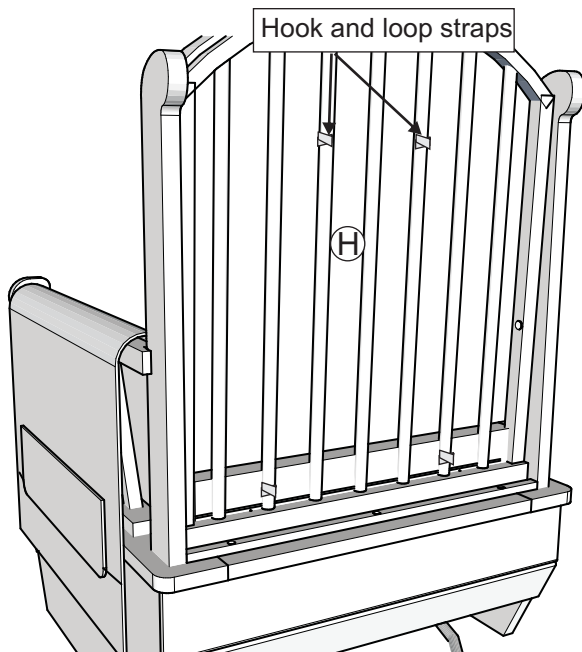
Attach arm rest cushions (E & F) to arm rests (B & C) with hook and loop straps then snap to base.

STEP 5

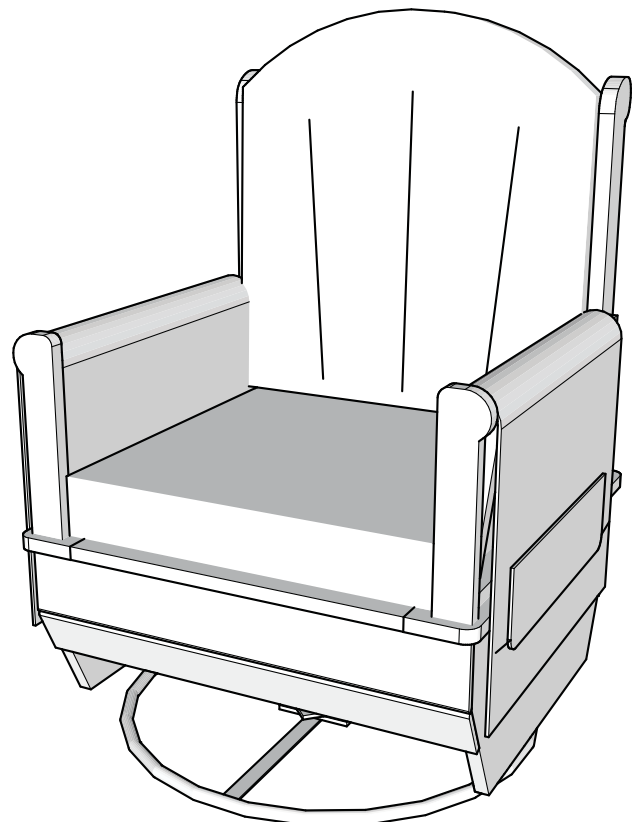


Attach seat cushion (G) to back rest (D) with hook and loop straps.

STEP 6



Attach back cushion (G) to back rest (D) with hook and loop straps.



Your Glider Rocker is now ready to use.