



**PARTS & HARDWARE**

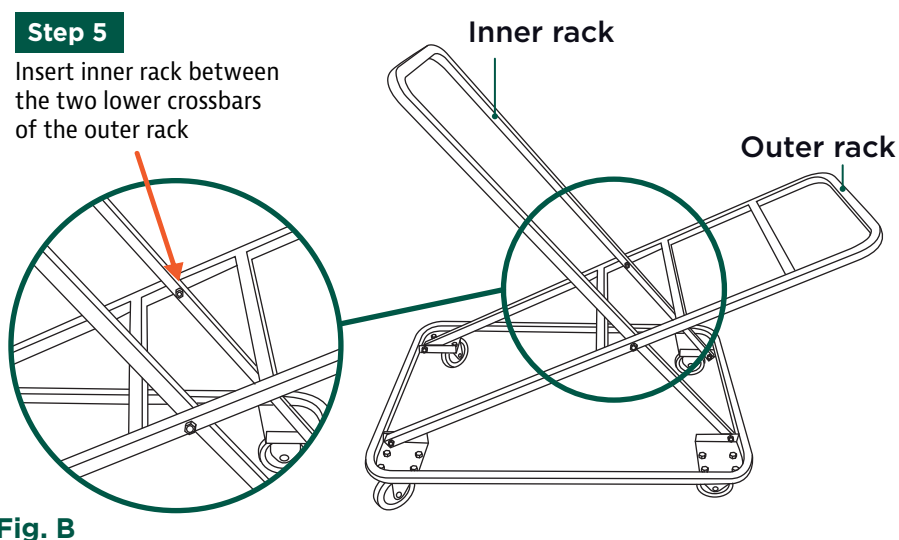
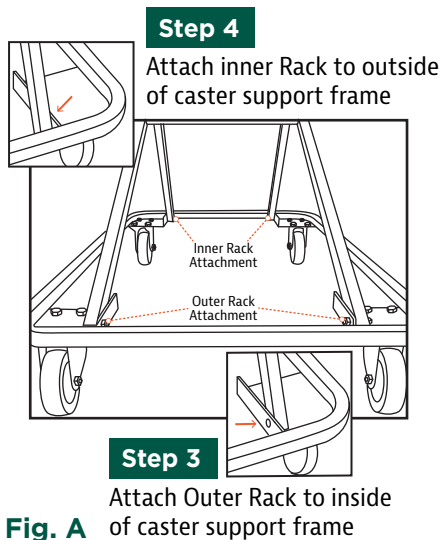
- Inner Rack
- Outer Rack (with crossbars)
- Bottom Frame
- 4 Casters (two swivel & two non-swivel)
- 7/8" Cap-screws- 16pcs.
- 1-1/2" Cap-screws- 4pcs.
- 2-1/4" Cap-screws- 2pcs.
- Lock nuts -22pcs.


**TOOLS NEEDED:**

- 1/2" Combination Wrench
- Ratchet with a 1/2" Socket

**ASSEMBLY**

- 1** Install the two non-swivel casters at one end of the frame using four 7/8" cap-screws and lock nuts in each.
- 2** Install the two swivel casters at the other end of the frame using four 7/8" cap-screws and lock nuts in each.
- 3** Starting at the end of the unit with swivel casters, attach the Outer Rack to the inside of the caster support frame (see Fig. A) using two 1-1/2" cap-screws and lock nuts.
- 4** Attach the Inner Rack to the outside of the caster support frame (see Fig. A) at the end of the unit with the non-swivel casters using two 1-1/2" cap-screws and nuts.
- 5** Insert the Inner Rack in between the two lower crossbars on the Outer Rack (see Fig. B). After aligning the holes on both racks use two 2-1/4" cap-screws and lock nuts to attach.



 **Double check all screws to be tightened securely before use. Check all screws periodically. Failure to completely tighten the screws may result in tipping & possible injury!**

*Dear Customer, Thank you for your purchase. Although extreme care goes into manufacturing & packaging of this product, mistakes are possible. If you encounter any missing parts or difficulty in assembly, please contact our customer service Toll Free at 1-800-261-4112 or [info@nationalpublicseating.com](mailto:info@nationalpublicseating.com) for courteous & immediate resolution to your problem.*