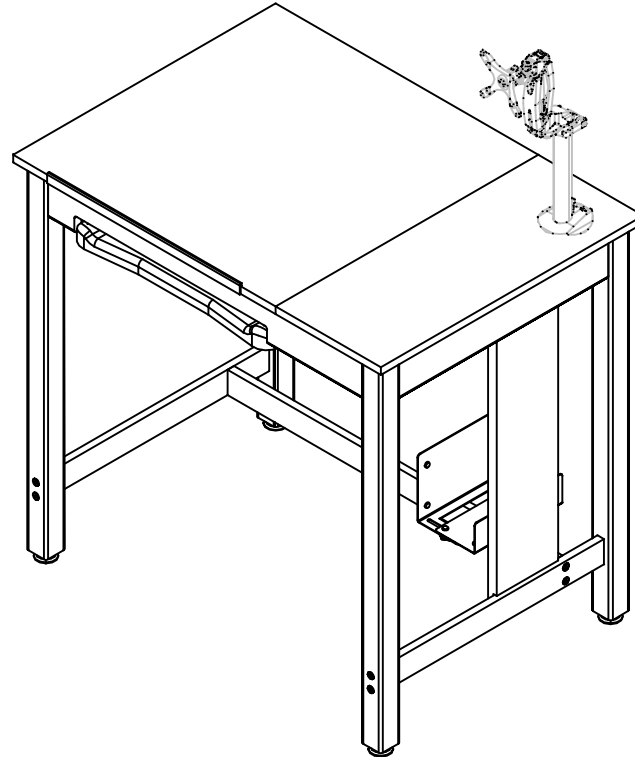


DRAWING TABLE SYSTEM

DT-30A, DT-60SA, & CDTC-70
ASSEMBLY INSTRUCTIONS




NOTE:

1. MODEL VIEWS MAY NOT REPRESENT EXACT MODEL PURCHASED

ALL DIMENSIONS ARE IN INCHES UNLESS NOTED OTHERWISE	DWN BY:	EMR	DATE DWN:	1/15/15
DECIMALS: $\frac{X}{1000} = \pm .000$	APR BY:		DATE APR:	
XX = $\pm .020$	APR BY:		DATE APR:	
XXX = $\pm .010$	APR BY:		DATE APR:	
ANGLES: $\pm 1^{\circ}$	APR BY:		DATE APR:	
CABINET SQUARENESS: $\pm .0625$	APR BY:		DATE APR:	

CONFIDENTIAL:
ALL DESIGN RIGHTS RESERVED
THE INFORMATION, DATA, DESIGN, AND DRAWINGS EMBODIED IN THIS DOCUMENT AND ALL REPRODUCTIONS THEREOF ARE THE EXCLUSIVE PROPERTY OF DIVERSIFIED WOODCRAFTS, INC.

THESE DOCUMENTS ARE SUPPLIED WITH THE UNDERSTANDING THAT THEY WILL NOT BE DISCLOSED TO THIRD PARTIES WITHOUT WRITTEN CONSENT OF DIVERSIFIED WOODCRAFTS, INC. ANY REPRODUCTION IN PART OR WHOLE WITHOUT WRITTEN CONSENT IS SUBJECT TO LEGAL ACTION.



300 South Krueger Street
Suring, WI 54174
diversifiedwoodcrafts.com

TITLE:
DRAWING TABLE SYSTEM - PLAIN
ASSEMBLY INSTRUCTIONS

REV.	DESCRIPTION	DATE	NAME	ECN NO.
A	CREATED ASSEMBLY INSTRUCTIONS	1/15/15	EMR	-
REVISION LEVEL				

DRAWING NUMBER:	SCALE:	SHEET:	REVISION:
DT-30A, 60SA, & CDTC-70	NTS	1 OF 12	REV A

TOOLS REQUIRED

1/2" WRENCH
1/2" SOCKET AND TORQUE WRENCH - OPTIONAL
4MM ALLEN WRENCH
SCREW DRIVER

ASSEMBLY COMPONENTS

ITEMS INCLUDED	PART #	PART DESCRIPTION	QTY
TOP AND APRON ASSEMBLY	N/A	TOP ASSEMBLY (FACTORY ASSEMBLED)	1
LEGS	501102	LEG,MPL 2.25X2.25X38.25	4
LEG HARDWARE KIT	520001-4	LEG HARDWARE KIT, 4 LEGS	1
LEG BRACE	N/A	LEG BRACE - 24.00" LONG	2
STRETCHER	N/A	STRETCHER - 37.50" LONG	1
CONFIRMATS - LEGS	227578	SCREW,7MMX90MM,CONN,ALLENHEAD, BLACK	8
CONFIRMATS - STRETCHER	228564	SCREW,7MMX50MM,CONN,ALLENHEAD, BLACK	4
PENCIL LEDGE	14-0027	PENCIL LEDGE - 22"	1
SCREWS - PENCIL LEDGE	236263	SCREW,#6X3/4 TRUSS HEAD,QUAD,BLACK	3
CPU SUPPORT	N/A	SUPPORT,CPU,EB4,1.00X7.00X32.50	1
SCREWS - CPU SUPPORT	100649	SCREW,#8X3/4 PHIL TRUSS HEAD SMS	6
CPU BRACKET	257521	BRACKET,MOUNTING,CPU,BLK	1
CPU BRACKET KNOB	257522	KNOB,TWO ARM, 1/4-20, BLACK	2
CPU BRACKET RUBBER BUMPERS	206604	BUMPER,RUBBER, 1/8"THK X 1/2" DIAM	12
KEYBOARD TRAY KIT	214416	TRAY,KEYBOARD,SLIDE OUT,#KVKD100	1
MONITOR BASE ASSEMBLY	243335	HAFELE MONITOR BASE ASSEMBLY	1
MONITOR ARM	15-0185	HAFELE FLAT SCREEN ARM	1

NOTE:

- **XX** INDICATES ITEMS ONLY USED FOR THE CDTC-70.

ALL DIMENSIONS ARE IN INCHES UNLESS NOTED OTHERWISE
 DECIMALS: X = ± .030
 XX = ± .020
 .XXX = ± .010
 ANGLES: = ± 1°
 CABINET SQUARENESS = ± .0625

DWN BY:	EMR	DATE DWN:	1/15/15
APR BY:		DATE APR:	
APR BY:		DATE APR:	



300 South Krueger Street
 Suring, WI 54174
 diversifiedwoodcrafts.com

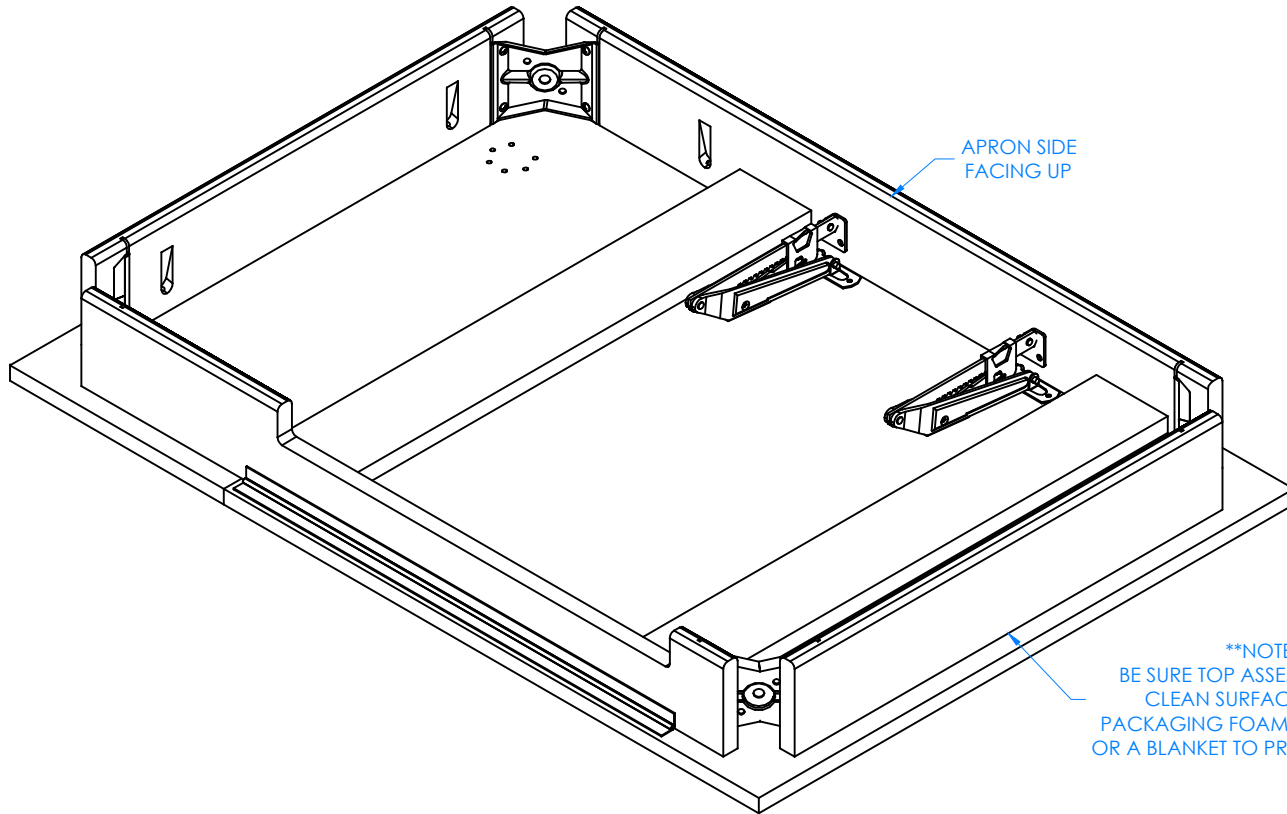
CONFIDENTIAL:
 ALL DESIGN RIGHTS RESERVED
 THE INFORMATION, DATA, DESIGN, AND DRAWINGS EMBODIED IN THIS DOCUMENT AND ALL REPRODUCTIONS THEREOF ARE THE EXCLUSIVE PROPERTY OF DIVERSIFIED WOODCRAFTS, INC.

THESE DOCUMENTS ARE SUPPLIED WITH THE UNDERSTANDING THAT THEY WILL NOT BE DISCLOSED TO THIRD PARTIES WITHOUT WRITTEN CONSENT OF DIVERSIFIED WOODCRAFTS, INC. ANY REPRODUCTION IN PART OR WHOLE WITHOUT WRITTEN CONSENT IS SUBJECT TO LEGAL ACTION.

TITLE:
 DRAWING TABLE SYSTEM - PLAIN
 TOOLS AND ASSEMBLY COMPONENTS

DRAWING NUMBER:	SCALE:	SHEET:	REVISION:
DT-30A, 60SA, & CDTC-70	NTS	2 OF 12	REV A

A	CREATED ASSEMBLY INSTRUCTIONS	1/15/15	EMR	-
REV.	DESCRIPTION	DATE	NAME	ECN NO.
REVISION LEVEL				



STEP 1:

- LAY APRON ASSEMBLY ON FLOOR WITH APRON SIDE FACING UP.

****NOTE****
 BE SURE TOP ASSEMBLY IS ON A CLEAN SURFACE SUCH AS PACKAGING FOAM, CARDBOARD, OR A BLANKET TO PREVENT DAMAGE

NOTE:

-

ALL DIMENSIONS ARE IN INCHES UNLESS NOTED OTHERWISE DECIMALS: .X = ± .030 .XX = ± .020 .XXX = ± .010 ANGLES: = ± 1° CABINET SQUARENESS: = ± .0625	DWN BY: EMR APR BY: APR BY:	DATE DWN: 1/15/15 DATE APR: DATE APR:
--	-----------------------------------	---

CONFIDENTIAL:
 ALL DESIGN RIGHTS RESERVED
 THE INFORMATION, DATA, DESIGN, AND DRAWINGS EMBODIED IN THIS DOCUMENT AND ALL REPRODUCTIONS THEREOF ARE THE EXCLUSIVE PROPERTY OF DIVERSIFIED WOODCRAFTS, INC.

THESE DOCUMENTS ARE SUPPLIED WITH THE UNDERSTANDING THAT THEY WILL NOT BE DISCLOSED TO THIRD PARTIES WITHOUT WRITTEN CONSENT OF DIVERSIFIED WOODCRAFTS, INC. ANY REPRODUCTION IN PART OR WHOLE WITHOUT WRITTEN CONSENT IS SUBJECT TO LEGAL ACTION.

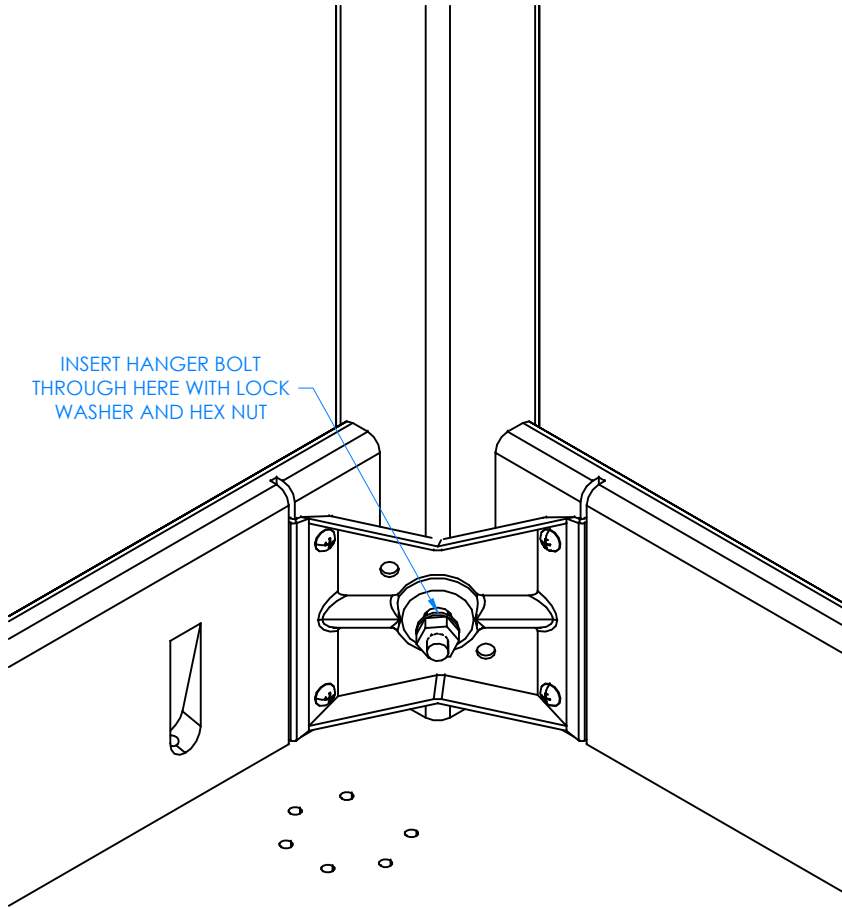


300 South Krueger Street
 Suring, WI 54174
 diversifiedwoodcrafts.com

TITLE:
 DRAWING TABLE SYSTEM - PLAIN
 ASSEMBLY INSTRUCTIONS

REV.	DESCRIPTION	DATE	NAME	ECN NO.
A	CREATED ASSEMBLY INSTRUCTIONS	1/15/15	EMR	-
REVISION LEVEL				

DRAWING NUMBER: DT-30A, 60SA, & CDTC-70	SCALE: NTS	SHEET: 3 OF 12	REVISION: REV A
--	---------------	-------------------	--------------------



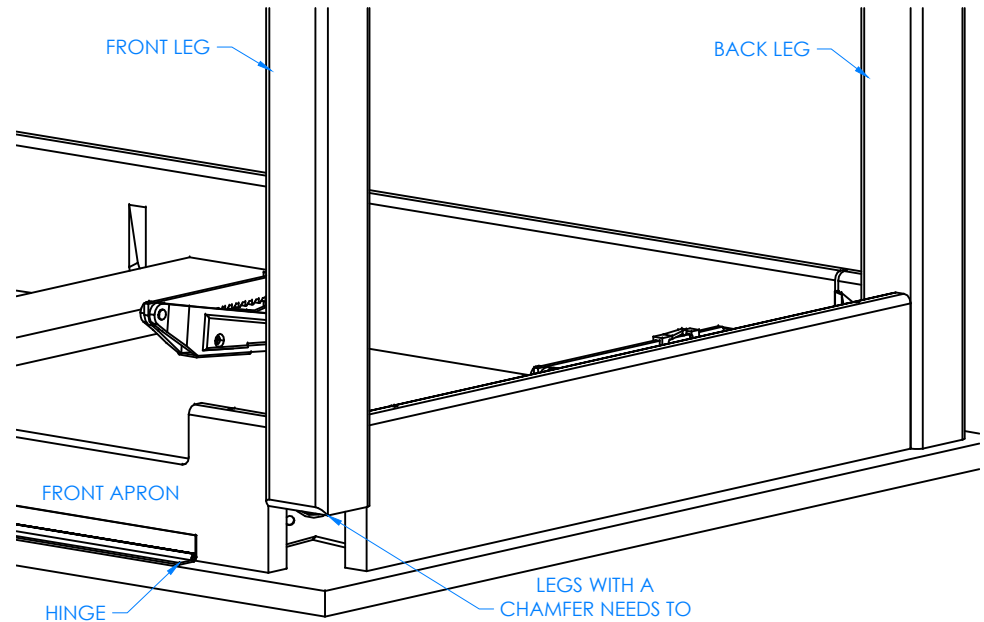
CLOSE UP OF CORNER LEG ASSEMBLY

NOTE:

1.

STEP 2:

- INSERT HANGER BOLT ON ONE LEG THROUGH THE CORNER BRACKET AND INSERT LOCK WASHER AND HEX NUT.
- SCREW ON NUT USING A 1/2" WRENCH OR 1/2" SOCKET AND TORQUE WRENCH. DO NOT TIGHTEN ALL THE WAY.
- REPEAT FOR THE OTHER LEG.
- THE LEGS WITH A CHAMFER MUST GO ON THE FRONT OF THE TABLE WITH CHAMFERED EDGE FACING OUT.



CLOSE UP OF LEG WITH A CHAMFER

REV.	DESCRIPTION	DATE	NAME	ECN NO.
A	CREATED ASSEMBLY INSTRUCTIONS	1/15/15	EMR	-

REVISION LEVEL

ALL DIMENSIONS ARE IN INCHES UNLESS NOTED OTHERWISE	DWN BY:	EMR	DATE DWN:	1/15/15
DECIMALS: .X = ± .030	APR BY:		DATE APR:	
.XX = ± .020	BY:		DATE:	
.XXX = ± .010	APR BY:		DATE APR:	
ANGLES: = ± 1°0	BY:		DATE:	
CABINET SQUARENESS: = ± .0625	BY:		DATE APR:	

CONFIDENTIAL:
ALL DESIGN RIGHTS RESERVED
THE INFORMATION, DATA, DESIGN, AND DRAWINGS EMBODIED IN THIS DOCUMENT AND ALL REPRODUCTIONS THEREOF ARE THE EXCLUSIVE PROPERTY OF DIVERSIFIED WOODCRAFTS, INC.

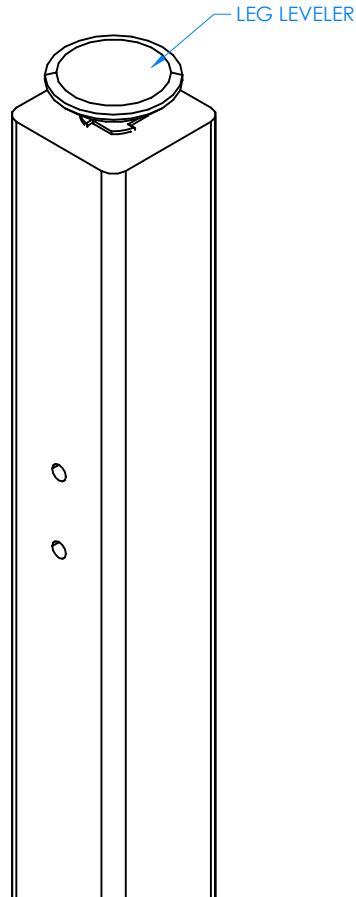
THESE DOCUMENTS ARE SUPPLIED WITH THE UNDERSTANDING THAT THEY WILL NOT BE DISCLOSED TO THIRD PARTIES WITHOUT WRITTEN CONSENT OF DIVERSIFIED WOODCRAFTS, INC. ANY REPRODUCTION IN PART OR WHOLE WITHOUT WRITTEN CONSENT IS SUBJECT TO LEGAL ACTION.



300 South Krueger Street
Suring, WI 54174
diversifiedwoodcrafts.com

TITLE:
DRAWING TABLE SYSTEM - PLAIN
ASSEMBLY INSTRUCTIONS

DRAWING NUMBER:	SCALE:	SHEET:	REVISION:
DT-30A, 60SA, & CDTC-70	NTS	4 OF 12	REV A



CLOSE UP OF LEG LEVELER ASSEMBLY

STEP 3:

- SCREW LEG LEVELERS INTO T-NUT ON BOTTOM OF LEGS.


NOTE:

1.

ALL DIMENSIONS ARE IN INCHES UNLESS NOTED OTHERWISE	DWN BY:	EMR	DATE DWN:	1/15/15
DECIMALS: $\frac{X}{1000}$ = ± .000	APR BY:		DATE APR:	
XX = ± .020	APR BY:		DATE APR:	
XXX = ± .010	APR BY:		DATE APR:	
ANGLES: = ± 1°	APR BY:		DATE APR:	
CABINET SQUARENESS: = ± .0625	APR BY:		DATE APR:	

CONFIDENTIAL:
ALL DESIGN RIGHTS RESERVED
THE INFORMATION, DATA, DESIGN, AND DRAWINGS EMBODIED IN THIS DOCUMENT AND ALL REPRODUCTIONS THEREOF ARE THE EXCLUSIVE PROPERTY OF DIVERSIFIED WOODCRAFTS, INC.

THESE DOCUMENTS ARE SUPPLIED WITH THE UNDERSTANDING THAT THEY WILL NOT BE DISCLOSED TO THIRD PARTIES WITHOUT WRITTEN CONSENT OF DIVERSIFIED WOODCRAFTS, INC. ANY REPRODUCTION IN PART OR WHOLE WITHOUT WRITTEN CONSENT IS SUBJECT TO LEGAL ACTION.

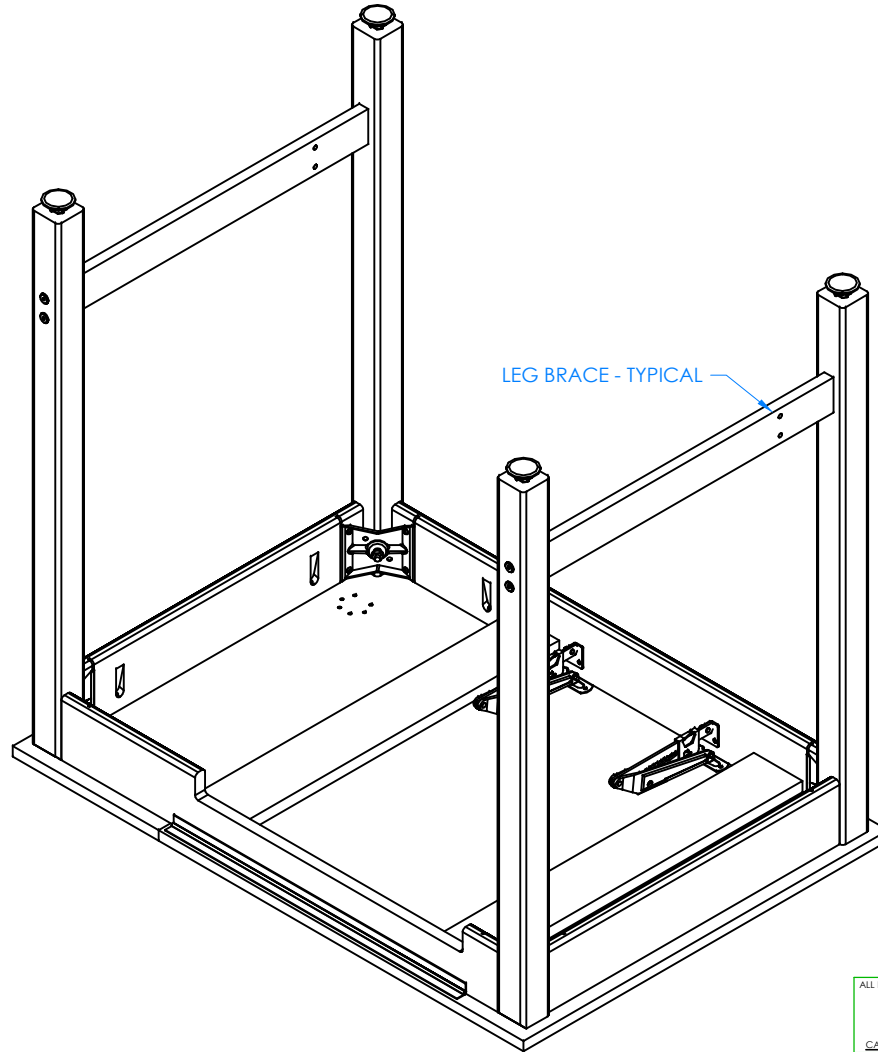


300 South Krueger Street
Suring, WI 54174
diversifiedwoodcrafts.com

TITLE:
DRAWING TABLE SYSTEM - PLAIN ASSEMBLY INSTRUCTIONS

DRAWING NUMBER: DT-30A, 60SA, & CDTC-70	SCALE: NTS	SHEET: 5 OF 12	REVISION: REV A
---	---------------	-------------------	--------------------

REV.	DESCRIPTION	DATE	NAME	ECN NO.
A	CREATED ASSEMBLY INSTRUCTIONS	1/15/15	EMR	-
REVISION LEVEL				



NOTE:

1.

STEP 4:

- ATTACH BRACES TO LEGS.
- INSERT CONFIRMATS INTO ONE LEG AND SCREW INTO BRACE.
- REPEAT FOR OTHER LEGS.
- MAKE SURE BRACES ARE STRAIGHT AND ALL CONFIRMATS ARE SECURE.

ALL DIMENSIONS ARE IN INCHES UNLESS NOTED OTHERWISE	DWN BY:	EMR	DATE DWN:	1/15/15
DECIMALS: X = ± .030	APR BY:		DATE APR:	
XX = ± .020	APR BY:		DATE APR:	
XXX = ± .010	APR BY:		DATE APR:	
ANGLES: = ± 1°	APR BY:		DATE APR:	
CABINET SQUARENESS: = ± .0625	APR BY:		DATE APR:	

CONFIDENTIAL:
 ALL DESIGN RIGHTS RESERVED
 THE INFORMATION, DATA, DESIGN, AND DRAWINGS EMBODIED IN THIS DOCUMENT AND ALL REPRODUCTIONS THEREOF ARE THE EXCLUSIVE PROPERTY OF DIVERSIFIED WOODCRAFTS, INC.

THESE DOCUMENTS ARE SUPPLIED WITH THE UNDERSTANDING THAT THEY WILL NOT BE DISCLOSED TO THIRD PARTIES WITHOUT WRITTEN CONSENT OF DIVERSIFIED WOODCRAFTS, INC. ANY REPRODUCTION IN PART OR WHOLE WITHOUT WRITTEN CONSENT IS SUBJECT TO LEGAL ACTION.

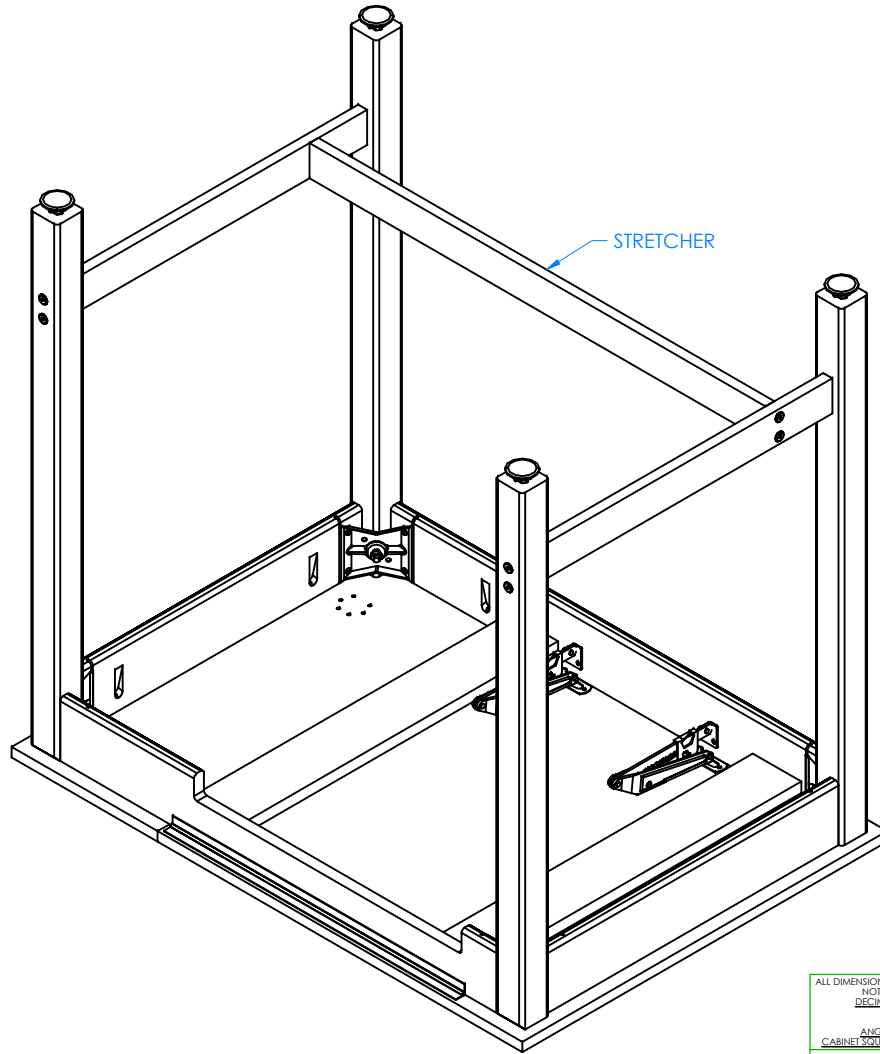


300 South Krueger Street
 Suring, WI 54174
 diversifiedwoodcrafts.com

TITLE:
 DRAWING TABLE SYSTEM - PLAIN
 ASSEMBLY INSTRUCTIONS

REV.	DESCRIPTION	DATE	NAME	ECN NO.
A	CREATED ASSEMBLY INSTRUCTIONS	1/15/15	EMR	-
REVISION LEVEL				

DRAWING NUMBER:	SCALE:	SHEET:	REVISION:
DT-30A, 60SA, & CDTC-70	NTS	6 OF 12	REV A



STEP 5:

- ATTACH STRETCHER TO BRACE WITH HARDWARE PROVIDED.
- GO BACK TO STEP 2 AND TIGHTEN UP THE HANGER BOLTS FOR EACH LEG USING A 1/2" WRENCH OR 1/2" SOCKET AND TORQUE WRENCH, TO A MINIMUM OF 12FT LBS BUT NOT TO EXCEED 17FT LBS.

NOTE:

1.

ALL DIMENSIONS ARE IN INCHES UNLESS NOTED OTHERWISE	DWN BY:	EMR	DATE DWN:	1/15/15
DECIMALS: X = ± .030	APR BY:		DATE APR:	
XX = ± .020	APR BY:		DATE APR:	
XXX = ± .010	APR BY:		DATE APR:	
ANGLES: = ± 1°	APR BY:		DATE APR:	
CABINET SQUARENESS: = ± .0625	APR BY:		DATE APR:	

CONFIDENTIAL:
ALL DESIGN RIGHTS RESERVED
THE INFORMATION, DATA, DESIGN, AND DRAWINGS EMBODIED IN THIS DOCUMENT AND ALL REPRODUCTIONS THEREOF ARE THE EXCLUSIVE PROPERTY OF DIVERSIFIED WOODCRAFTS, INC.

THESE DOCUMENTS ARE SUPPLIED WITH THE UNDERSTANDING THAT THEY WILL NOT BE DISCLOSED TO THIRD PARTIES WITHOUT WRITTEN CONSENT OF DIVERSIFIED WOODCRAFTS, INC. ANY REPRODUCTION IN PART OR WHOLE WITHOUT WRITTEN CONSENT IS SUBJECT TO LEGAL ACTION.



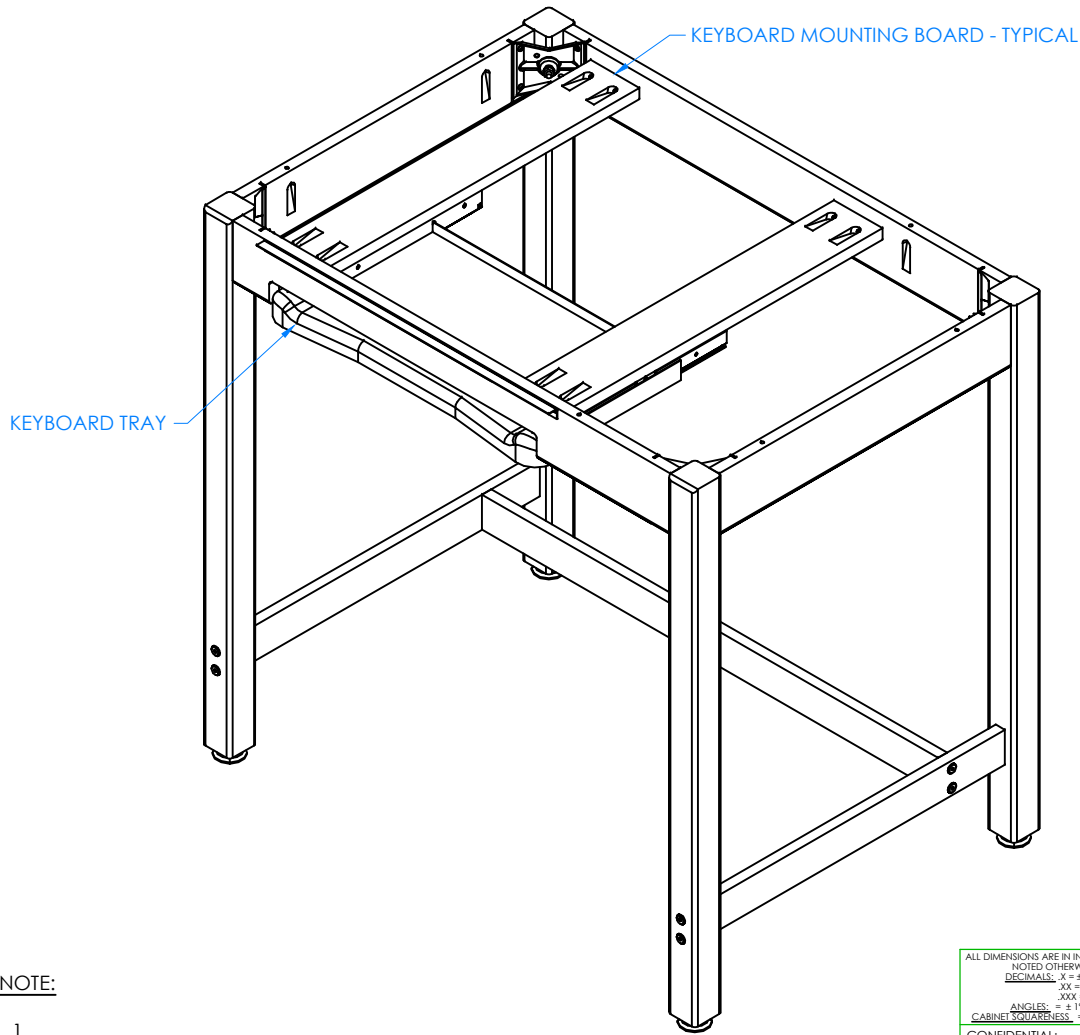
300 South Krueger Street
Suring, WI 54174
diversifiedwoodcrafts.com

TITLE:
DRAWING TABLE SYSTEM - PLAIN
ASSEMBLY INSTRUCTIONS

REV.	DESCRIPTION	DATE	NAME	ECN NO.
A	CREATED ASSEMBLY INSTRUCTIONS	1/15/15	EMR	-

REVISION LEVEL

DRAWING NUMBER:	SCALE:	SHEET:	REVISION:
DT-30A, 60SA, & CDTC-70	NTS	7 OF 12	REV A



STEP 6:

- IF YOUR TABLE DOES NOT HAVE A KEYBOARD TRAY OR CPU SUPPORT SKIP TO STEP 9.
- ATTACH KEYBOARD TRAY TO THE TWO KEYBOARD MOUNTING BOARDS WITH THE HARDWARE PROVIDED.
- IT MAY BE EASIER TO ATTACH KEYBOARD TRAY WHILE TABLE IS ON ITS TOP.
- ATTACH THE MONITOR POST TO THE TOP USING HARDWARE PROVIDED (NOT SHOWN).

NOTE:

1.

TOPS REMOVED TO SHOW CLARITY

ALL DIMENSIONS ARE IN INCHES UNLESS NOTED OTHERWISE	DWN BY:	EMR	DATE DWN:	1/15/15
DECIMALS: $\frac{1}{16} = \pm .030$	APR BY:		DATE APR:	
XX = $\pm .020$	APR BY:		DATE APR:	
XXX = $\pm .010$	APR BY:		DATE APR:	
ANGLES: = $\pm 1^{\circ}$	APR BY:		DATE APR:	
CABINET SQUARENESS: = $\pm .0625$	APR BY:		DATE APR:	

CONFIDENTIAL:
ALL DESIGN RIGHTS RESERVED
THE INFORMATION, DATA, DESIGN, AND DRAWINGS EMBODIED IN THIS DOCUMENT AND ALL REPRODUCTIONS THEREOF ARE THE EXCLUSIVE PROPERTY OF DIVERSIFIED WOODCRAFTS, INC.

THESE DOCUMENTS ARE SUPPLIED WITH THE UNDERSTANDING THAT THEY WILL NOT BE DISCLOSED TO THIRD PARTIES WITHOUT WRITTEN CONSENT OF DIVERSIFIED WOODCRAFTS, INC. ANY REPRODUCTION IN PART OR WHOLE WITHOUT WRITTEN CONSENT IS SUBJECT TO LEGAL ACTION.

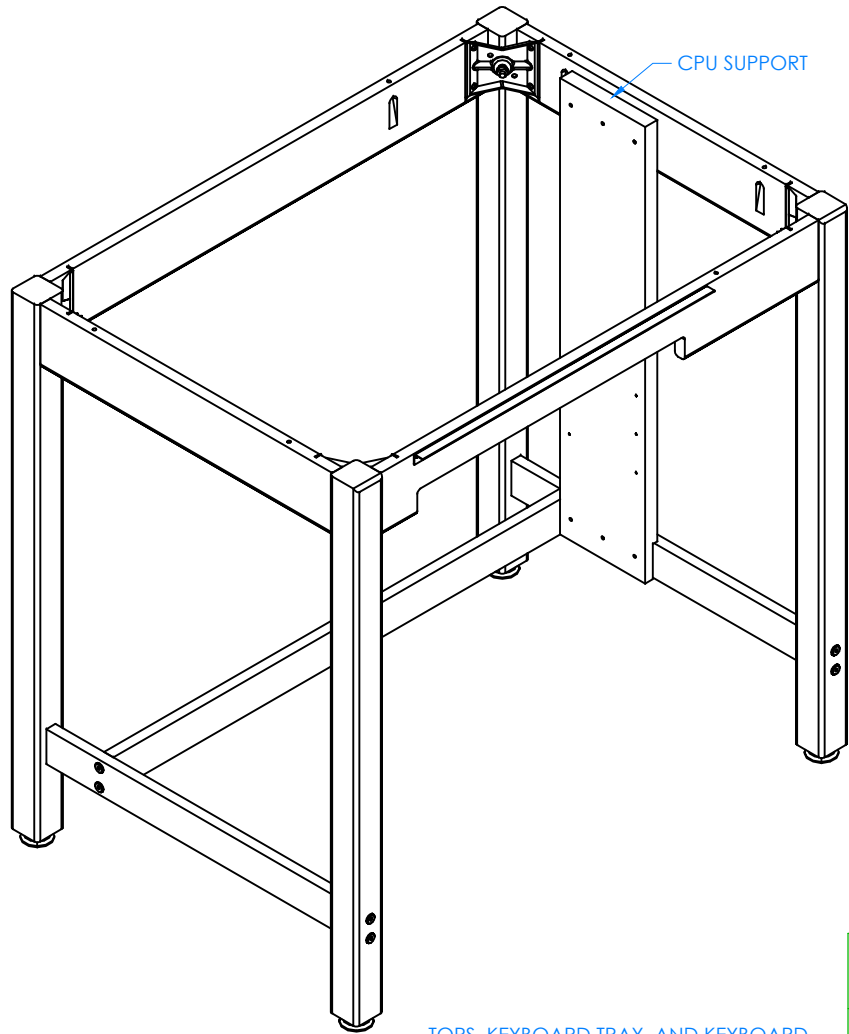


300 South Krueger Street
Suring, WI 54174
diversifiedwoodcrafts.com

TITLE:
DRAWING TABLE SYSTEM - PLAIN
ASSEMBLY INSTRUCTIONS

REV.	DESCRIPTION	DATE	NAME	ECN NO.
A	CREATED ASSEMBLY INSTRUCTIONS	1/15/15	EMR	-
REVISION LEVEL				

DRAWING NUMBER:	SCALE:	SHEET:	REVISION:
DT-30A, 60SA, & CDTC-70	NTS	8 OF 12	REV A



CPU SUPPORT

STEP 7:

- ATTACH CPU SUPPORT TO LEG BRACE AND APRON ASSEMBLY WITH HARDWARE PROVIDED.
- THE SUPPORT SHOULD LAY FLUSH AGAINST BOTTOM OF LEG BRACE AND STRETCHER.
- THERE WILL BE A SMALL GAP BETWEEN TOP OF APRON ASSEMBLY AND TOP OF SUPPORT.

NOTE:

1.

TOPS, KEYBOARD TRAY, AND KEYBOARD MOUNTS REMOVED TO SHOW CLARITY

ALL DIMENSIONS ARE IN INCHES UNLESS NOTED OTHERWISE	DWN BY:	EMR	DATE DWN:	1/15/15
DECIMALS: X = ± .020	APR BY:		DATE APR:	
XX = ± .020	APR BY:		DATE APR:	
XXX = ± .010	APR BY:		DATE APR:	
ANGLES: = ± 1°	APR BY:		DATE APR:	
CABINET SQUARENESS: = ± .0625	APR BY:		DATE APR:	

CONFIDENTIAL:
ALL DESIGN RIGHTS RESERVED
THE INFORMATION, DATA, DESIGN, AND DRAWINGS EMBODIED IN THIS DOCUMENT AND ALL REPRODUCTIONS THEREOF ARE THE EXCLUSIVE PROPERTY OF DIVERSIFIED WOODCRAFTS, INC.

THESE DOCUMENTS ARE SUPPLIED WITH THE UNDERSTANDING THAT THEY WILL NOT BE DISCLOSED TO THIRD PARTIES WITHOUT WRITTEN CONSENT OF DIVERSIFIED WOODCRAFTS, INC. ANY REPRODUCTION IN PART OR WHOLE WITHOUT WRITTEN CONSENT IS SUBJECT TO LEGAL ACTION.



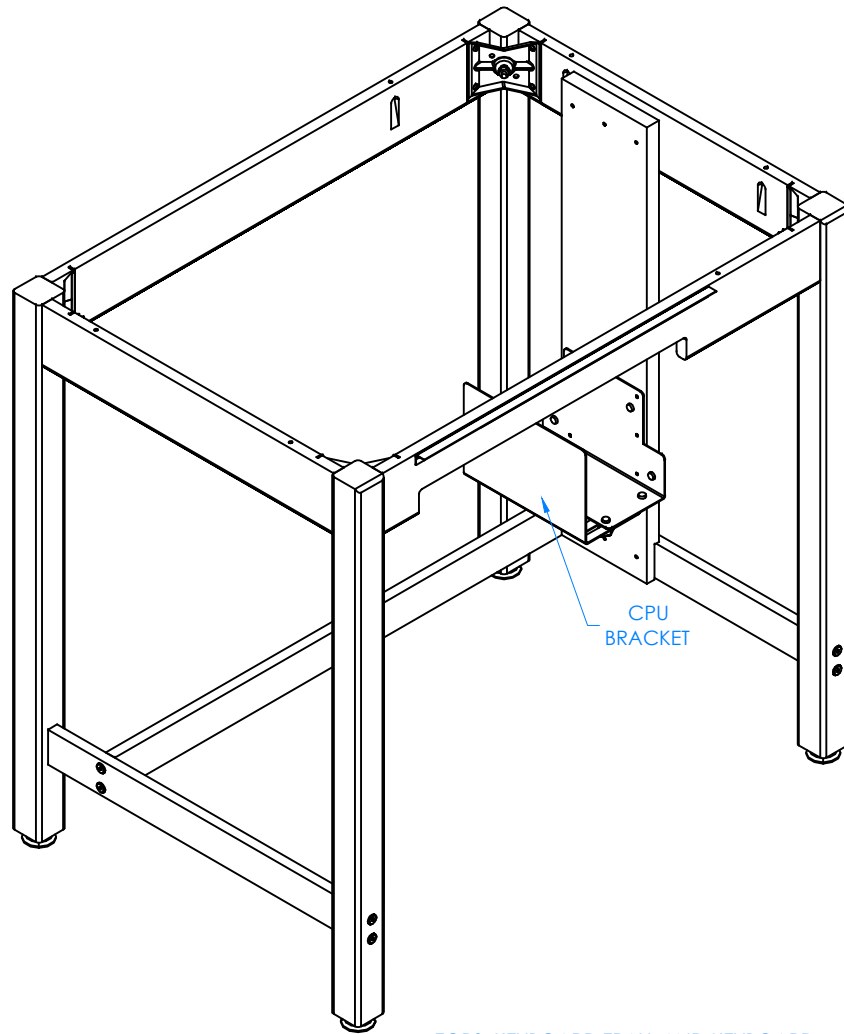
300 South Krueger Street
Suring, WI 54174
diversifiedwoodcrafts.com

TITLE:
DRAWING TABLE SYSTEM - PLAIN
ASSEMBLY INSTRUCTIONS

REV.	DESCRIPTION	DATE	NAME	ECN NO.
A	CREATED ASSEMBLY INSTRUCTIONS	1/15/15	EMR	-

REVISION LEVEL

DRAWING NUMBER:	SCALE:	SHEET:	REVISION:
DT-30A, 60SA, & CDTC-70	NTS	9 OF 12	REV A



CPU BRACKET

NOTE:

1.

TOPS, KEYBOARD TRAY, AND KEYBOARD MOUNTS REMOVED TO SHOW CLARITY


STEP 8:

- INSTALL CPU BRACKETS TO SUPPORTS USING APPROPRIATE HARDWARE FOR YOUR APPLICATION.
- SEE STEP 9 FOR DETAILED INSTRUCTIONS ON HOW TO INSTALL CPU BRACKET.

ALL DIMENSIONS ARE IN INCHES UNLESS NOTED OTHERWISE	DWN BY:	EMR	DATE DWN:	1/15/15
DECIMALS: X = ± .030	APR BY:		DATE APR:	
XX = ± .020	APR BY:		DATE APR:	
XXX = ± .010	APR BY:		DATE APR:	
ANGLES: = ± 1°	APR BY:		DATE APR:	
CABINET SQUARENESS: = ± .0625	APR BY:		DATE APR:	

CONFIDENTIAL:
ALL DESIGN RIGHTS RESERVED
THE INFORMATION, DATA, DESIGN, AND DRAWINGS EMBODIED IN THIS DOCUMENT AND ALL REPRODUCTIONS THEREOF ARE THE EXCLUSIVE PROPERTY OF DIVERSIFIED WOODCRAFTS, INC.

THESE DOCUMENTS ARE SUPPLIED WITH THE UNDERSTANDING THAT THEY WILL NOT BE DISCLOSED TO THIRD PARTIES WITHOUT WRITTEN CONSENT OF DIVERSIFIED WOODCRAFTS, INC. ANY REPRODUCTION IN PART OR WHOLE WITHOUT WRITTEN CONSENT IS SUBJECT TO LEGAL ACTION.



300 South Krueger Street
Suring, WI 54174
diversifiedwoodcrafts.com

TITLE:
DRAWING TABLE SYSTEM - PLAIN
ASSEMBLY INSTRUCTIONS

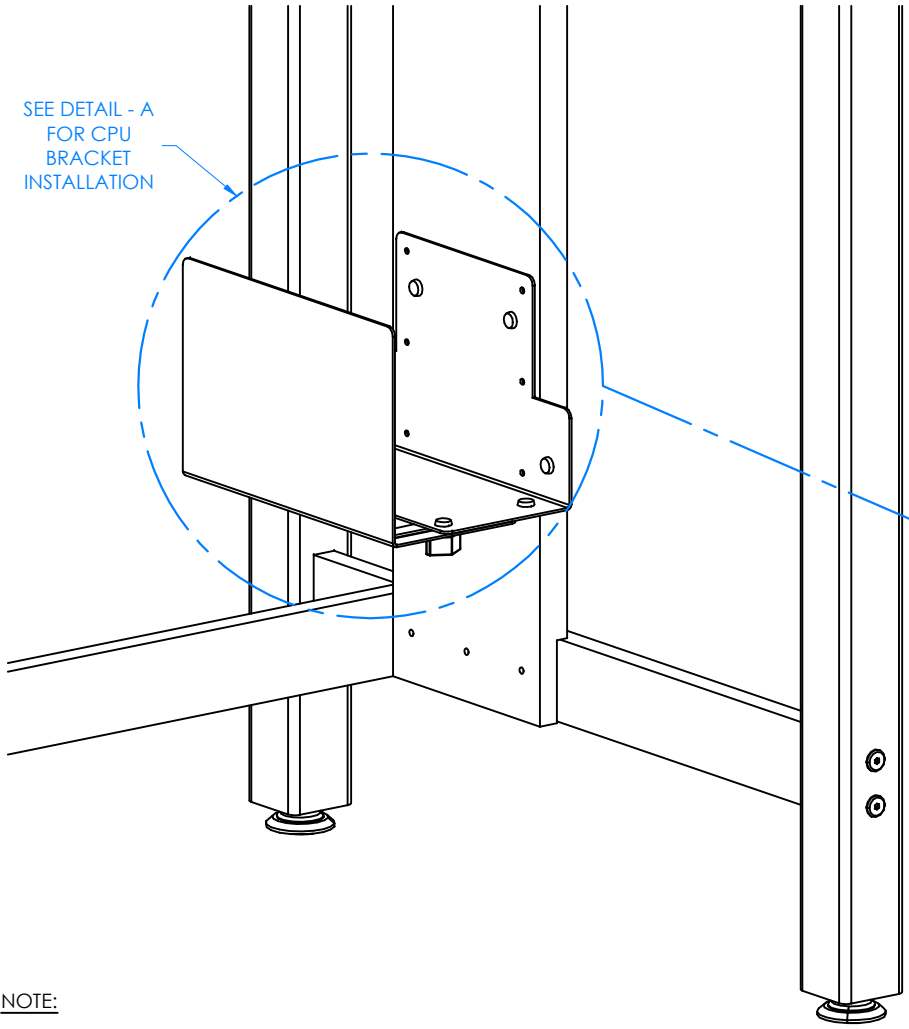
REV.	DESCRIPTION	DATE	NAME	ECN NO.
A	CREATED ASSEMBLY INSTRUCTIONS	1/15/15	EMR	-
REVISION LEVEL				

DRAWING NUMBER:	SCALE:	SHEET:	REVISION:
DT-30A, 60SA, & CDTC-70	NTS	10 OF 12	REV A

STEP 9:

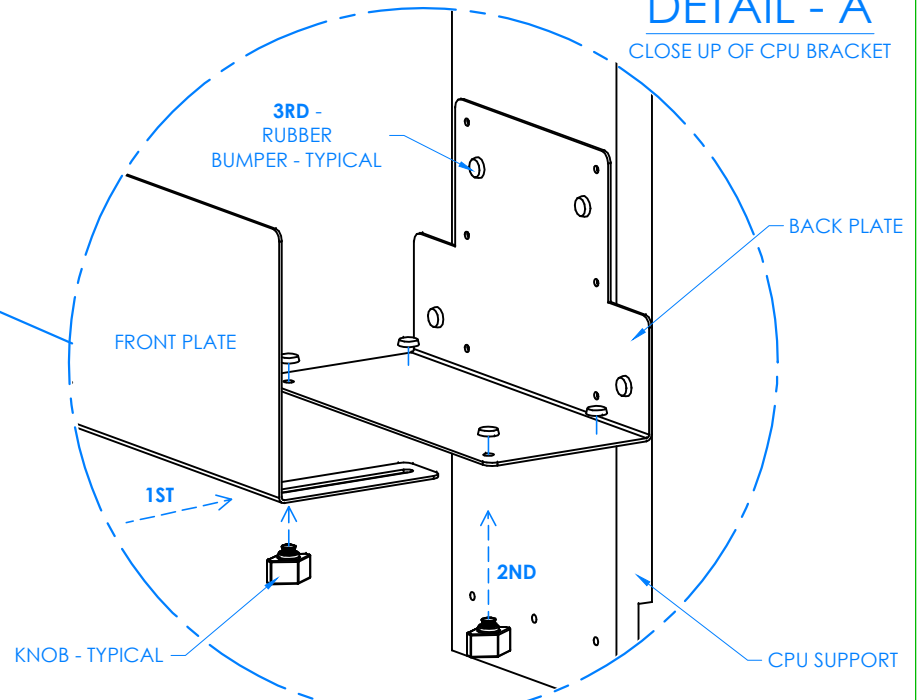
- SCREW BACK PLATE OF CPU BRACKET ONTO CPU SUPPORT WITH PROPER HARDWARE.
- BACK PLATE WILL HAVE SCREW HOLES TO ATTACH TO CPU SUPPORTS.
- TAKE FRONT PLATE OF CPU BRACKET AND ATTACH TO BACK PLATE.
- FRONT PLATE WILL HAVE SLOT HOLES FOR ADJUSTING TO CORRECT WIDTH.
- USING THE (2) KNOBS, ADJUST PLATES TO CORRECT SIZE AND SCREW TWO PLATES TOGETHER.
- MAKE SURE KNOBS ARE ON TIGHT AND SECURE.
- PLACE RUBBER BUMPERS IN DESIRED LOCATION - (4) ON EACH SIDE AND BOTTOM.

SEE DETAIL - A
FOR CPU
BRACKET
INSTALLATION



DETAIL - A

CLOSE UP OF CPU BRACKET



NOTE:

1.

ALL DIMENSIONS ARE IN INCHES UNLESS NOTED OTHERWISE	DWN BY:	EMR	DATE DWN:	1/15/15
DECIMALS: $\pm .030$	APR BY:		DATE APR:	
XX $\pm .020$	APR BY:		DATE APR:	
.XXX $\pm .010$	APR BY:		DATE APR:	
ANGLES: $\pm 1^{\circ}$	APR BY:		DATE APR:	
CABINET SQUARENESS: $\pm .0625$	APR BY:		DATE APR:	

CONFIDENTIAL:
ALL DESIGN RIGHTS RESERVED
THE INFORMATION, DATA, DESIGN, AND DRAWINGS EMBODIED IN THIS DOCUMENT AND ALL REPRODUCTIONS THEREOF ARE THE EXCLUSIVE PROPERTY OF DIVERSIFIED WOODCRAFTS, INC.

THESE DOCUMENTS ARE SUPPLIED WITH THE UNDERSTANDING THAT THEY WILL NOT BE DISCLOSED TO THIRD PARTIES WITHOUT WRITTEN CONSENT OF DIVERSIFIED WOODCRAFTS, INC. ANY REPRODUCTION IN PART OR WHOLE WITHOUT WRITTEN CONSENT IS SUBJECT TO LEGAL ACTION.

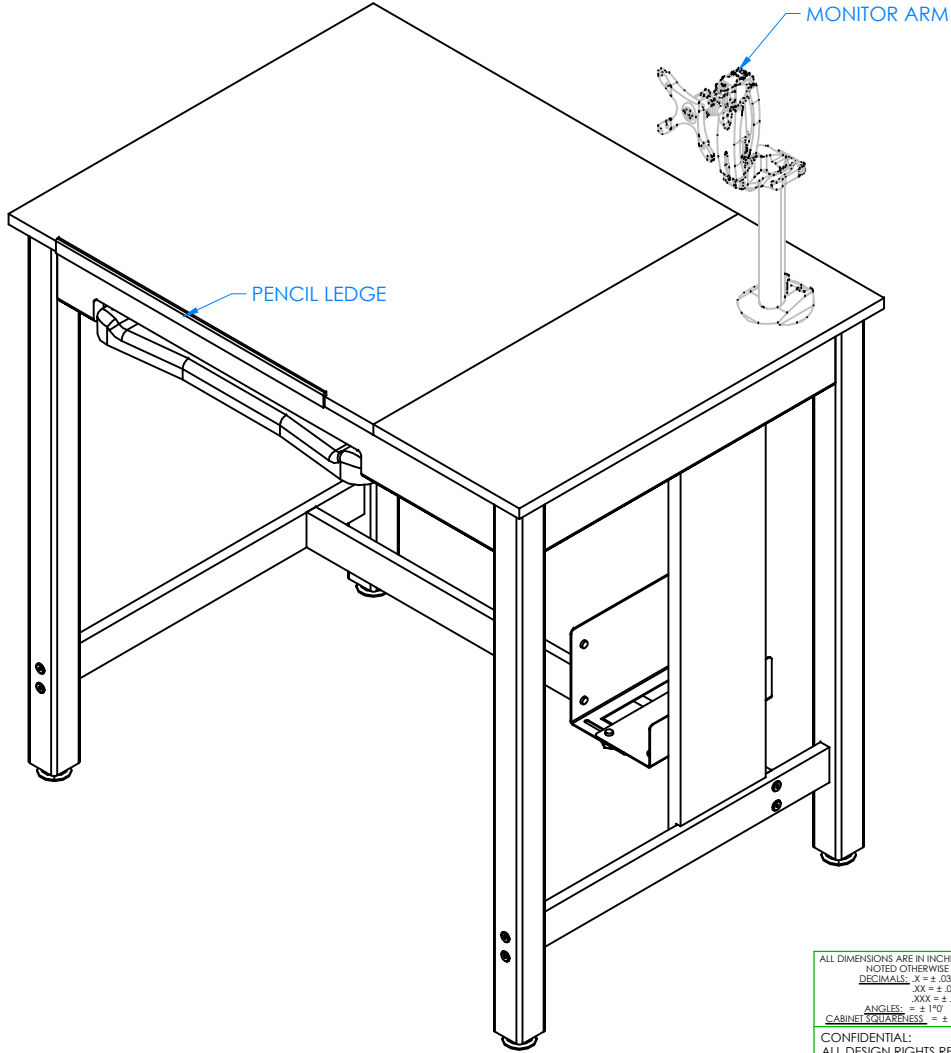


300 South Krueger Street
Suring, WI 54174
diversifiedwoodcrafts.com

TITLE:
DRAWING TABLE SYSTEM - PLAIN
ASSEMBLY INSTRUCTIONS

A	CREATED ASSEMBLY INSTRUCTIONS	1/15/15	EMR	-
REV.	DESCRIPTION	DATE	NAME	ECN NO.
REVISION LEVEL				

DRAWING NUMBER:	SCALE:	SHEET:	REVISION:
DT-30A, 60SA, & CDTC-70	NTS	11 OF 12	REV A



STEP 10:

- LINE UP PENCIL LEDGE ON SIDE OF ADJUSTABLE TOP IN DESIRED LOCATION.
- PRE-DRILL HOLES IN TOP TO PREVENT SPLITTING.
- SCREW PENCIL LEDGE TO TOP USING HARDWARE PROVIDED.
- SET YOUR TABLE IN PLACE.
- ADJUST LEG LEVELERS TO LEVEL TABLE.
- INSTALL MONITOR ARM TO TOP USING APPROPRIATE HARDWARE FOR YOUR APPLICATION.

NOTE:

1.

COMPLETE UNIT SHOWN

ALL DIMENSIONS ARE IN INCHES UNLESS NOTED OTHERWISE	DWN BY:	EMR	DATE DWN:	1/15/15
DECIMALS: X = ± .020	APR BY:		DATE APR:	
XX = ± .020	APR BY:		DATE APR:	
XXX = ± .010	APR BY:		DATE APR:	
ANGLES: = ± 1°	APR BY:		DATE APR:	
CABINET SQUARENESS: = ± .0625	APR BY:		DATE APR:	

CONFIDENTIAL:
ALL DESIGN RIGHTS RESERVED
THE INFORMATION, DATA, DESIGN, AND DRAWINGS EMBODIED IN THIS DOCUMENT AND ALL REPRODUCTIONS THEREOF ARE THE EXCLUSIVE PROPERTY OF DIVERSIFIED WOODCRAFTS, INC.

THESE DOCUMENTS ARE SUPPLIED WITH THE UNDERSTANDING THAT THEY WILL NOT BE DISCLOSED TO THIRD PARTIES WITHOUT WRITTEN CONSENT OF DIVERSIFIED WOODCRAFTS, INC. ANY REPRODUCTION IN PART OR WHOLE WITHOUT WRITTEN CONSENT IS SUBJECT TO LEGAL ACTION.



300 South Krueger Street
Suring, WI 54174
diversifiedwoodcrafts.com

TITLE:
DRAWING TABLE SYSTEM - PLAIN
ASSEMBLY INSTRUCTIONS

REV.	DESCRIPTION	DATE	NAME	ECN NO.
A	CREATED ASSEMBLY INSTRUCTIONS	1/15/15	EMR	-

REVISION LEVEL

DRAWING NUMBER:	SCALE:	SHEET:	REVISION:
DT-30A, 60SA, & CDTC-70	NTS	12 OF 12	REV A