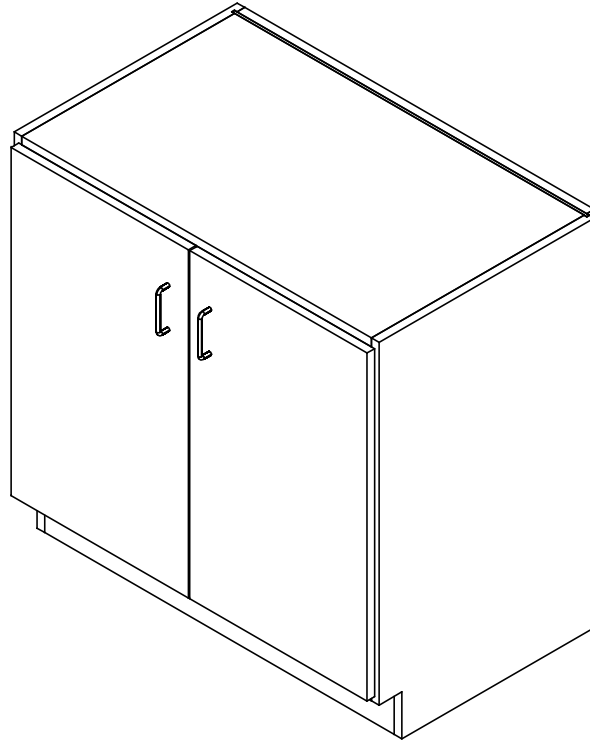


# BASE CABINETS

ALL STANDARD BASE CABINETS - 0 SERIES (29"H), 1 SERIES (32.50"H), & 5 SERIES (35"H)  
ASSEMBLY INSTRUCTIONS



**NOTE:**

1. MODEL VIEWS MAY NOT REPRESENT EXACT MODEL PURCHASED

ALL DIMENSIONS ARE IN INCHES UNLESS NOTED OTHERWISE	DWN BY:	EMR	DATE DWN:	1/9/15
DECIMALS: X = ± .030	APR BY:		DATE APR:	
XX = ± .020	APR BY:		DATE APR:	
XXX = ± .010	APR BY:		DATE APR:	
ANGLES: = ± 1°	APR BY:		DATE APR:	
CABINET SQUARENESS: = ± .0625	APR BY:		DATE APR:	

CONFIDENTIAL:  
ALL DESIGN RIGHTS RESERVED  
THE INFORMATION, DATA, DESIGN, AND DRAWINGS EMBODIED IN THIS DOCUMENT AND ALL REPRODUCTIONS THEREOF ARE THE EXCLUSIVE PROPERTY OF DIVERSIFIED WOODCRAFTS, INC.

THESE DOCUMENTS ARE SUPPLIED WITH THE UNDERSTANDING THAT THEY WILL NOT BE DISCLOSED TO THIRD PARTIES WITHOUT WRITTEN CONSENT OF DIVERSIFIED WOODCRAFTS, INC. ANY REPRODUCTION IN PART OR WHOLE WITHOUT WRITTEN CONSENT IS SUBJECT TO LEGAL ACTION.



300 South Krueger Street  
Suring, WI 54174  
diversifiedwoodcrafts.com

TITLE:  
ALL STANDARD BASE CABINETS  
ASSEMBLY INSTRUCTIONS

REV.	DESCRIPTION	DATE	NAME	ECN NO.
A	CREATED ASSEMBLY INSTRUCTIONS	1/9/15	EMR	-

REVISION LEVEL

DRAWING NUMBER:	SCALE:	SHEET:	REVISION:
BASE CABINETS	NTS	1 OF 6	REV A

### TOOLS & SUPPLIES REQUIRED

CONTACT CEMENT
SCREW DRIVER
SILICONE ADHESIVE (FOR EPOXY & PHENOLIC TOPS)
#8X1 <sup>3</sup> / <sub>4</sub> QUAD ROUND WASHER HEAD SCREW (RECOMMENDED FOR LAMINATE, CHEMGUARD AND MAPLE TOPS)

### INCLUDED ASSEMBLY COMPONENTS

ITEMS INCLUDED	PART #	PART DESCRIPTION	QTY
SHELF CLIPS (UNITS WITH SHELVES ONLY)	100027	SHELF CLIPS,PLASTIC,5MM PIN	VARIES

### ASSEMBLY COMPONENTS - ORDERED SEPARATELY

ITEMS INCLUDED	PART #	PART DESCRIPTION	QTY
RUBBER BASE MOLDING	100283	RUBBER BASE MOLDING (SOLD BY FOOT)	VARIES
STAINLESS STEEL CORNERS	100057	CORNERS-STAINLESS STEEL,BASE	2
SCREWS - BASE	100064	SCREW,#6X <sup>1</sup> / <sub>2</sub> PTH SMS SS SCREW	8

**NOTE:**

1. COMPONENTS VARY WITH STYLE OF BASE CABINET PURCHASED.
2. USE SCREWS IF YOU HAVE A PLASTIC LAMINATE, CHEMGUARD, OR MAPLE TOP.
3. USE SILICONE ADHESIVE IF YOU HAVE A PHENOLIC OR EPOXY TOP.

ALL DIMENSIONS ARE IN INCHES UNLESS NOTED OTHERWISE	DWN BY:	EMR	DATE DWN:	1/9/15
DECIMALS: .X = ± .030 .XX = ± .020 .XXX = ± .010	APR BY:		DATE APR:	
ANGLES: = ± 1°	APR BY:		DATE APR:	
CABINET SQUARENESS: = ± .0625				

CONFIDENTIAL:  
ALL DESIGN RIGHTS RESERVED  
THE INFORMATION, DATA, DESIGN, AND DRAWINGS EMBODIED IN THIS DOCUMENT AND ALL REPRODUCTIONS THEREOF ARE THE EXCLUSIVE PROPERTY OF DIVERSIFIED WOODCRAFTS, INC.

THESE DOCUMENTS ARE SUPPLIED WITH THE UNDERSTANDING THAT THEY WILL NOT BE DISCLOSED TO THIRD PARTIES WITHOUT WRITTEN CONSENT OF DIVERSIFIED WOODCRAFTS, INC. ANY REPRODUCTION IN PART OR WHOLE WITHOUT WRITTEN CONSENT IS SUBJECT TO LEGAL ACTION.



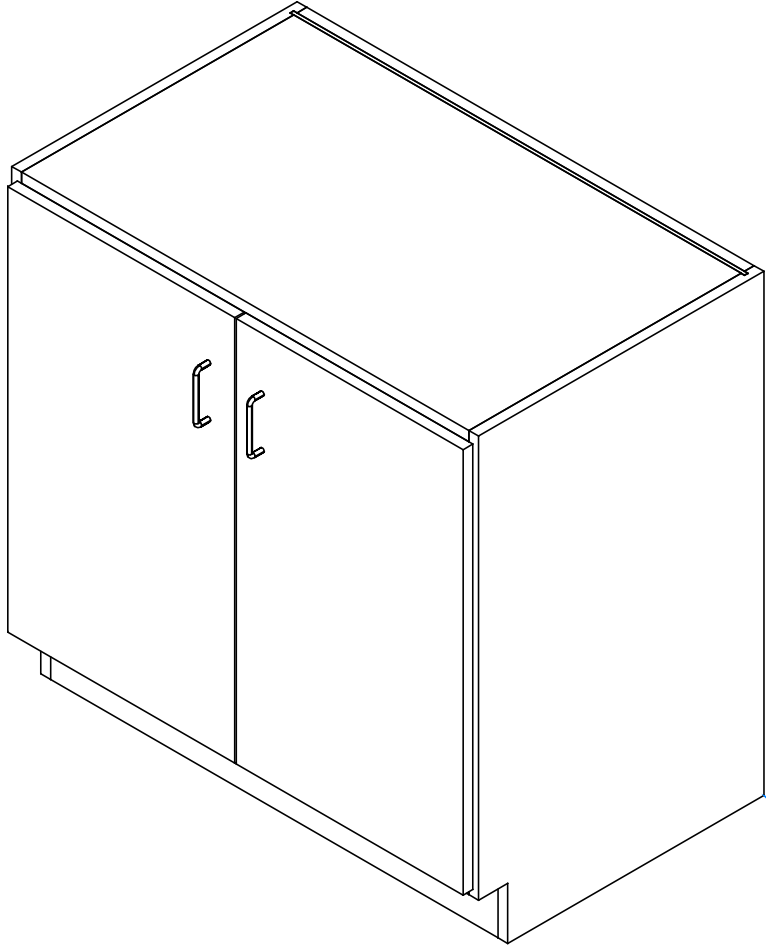
300 South Krueger Street  
Suring, WI 54174  
diversifiedwoodcrafts.com

TITLE:  
ALL STANDARD BASE CABINETS  
TOOLS AND ASSEMBLY COMPONENTS

REV.	DESCRIPTION	DATE	NAME	ECN NO.
A	CREATED ASSEMBLY INSTRUCTIONS	1/9/15	EMR	-

REVISION LEVEL

DRAWING NUMBER:	SCALE:	SHEET:	REVISION:
BASE CABINETS	NTS	2 OF 6	REV A




- STEP 1:
- a. POSITION CABINET IN YOUR DESIRED LOCATION.
  - b. LEVEL CABINET.
  - c. ANCHOR TO WALL.

**\*\*NOTE\*\***  
 CABINET MUST BE LEVELED OR  
 DOORS AND/OR DRAWERS MAY  
 NOT OPERATE CORRECTLY

NOTE:  
 1.

ALL DIMENSIONS ARE IN INCHES UNLESS NOTED OTHERWISE		DWN BY:	EMR	DATE DWN:	1/9/15
DECIMALS: $\frac{1}{16} = \pm .030$		APR BY:		DATE APR:	
$\frac{1}{8} = \pm .020$		APR BY:		DATE APR:	
$\frac{3}{16} = \pm .010$		APR BY:		DATE APR:	
$\frac{1}{2} = \pm .005$		APR BY:		DATE APR:	
$\frac{5}{8} = \pm .0025$		APR BY:		DATE APR:	
ANGLES: $\pm 1^{\circ}$ CABINET SQUARENESS: $\pm .0625$					
CONFIDENTIAL: ALL DESIGN RIGHTS RESERVED THE INFORMATION, DATA, DESIGN, AND DRAWINGS EMBODIED IN THIS DOCUMENT AND ALL REPRODUCTIONS THEREOF ARE THE EXCLUSIVE PROPERTY OF DIVERSIFIED WOODCRAFTS, INC.					
THESE DOCUMENTS ARE SUPPLIED WITH THE UNDERSTANDING THAT THEY WILL NOT BE DISCLOSED TO THIRD PARTIES WITHOUT WRITTEN CONSENT OF DIVERSIFIED WOODCRAFTS, INC. ANY REPRODUCTION IN PART OR WHOLE WITHOUT WRITTEN CONSENT IS SUBJECT TO LEGAL ACTION.					

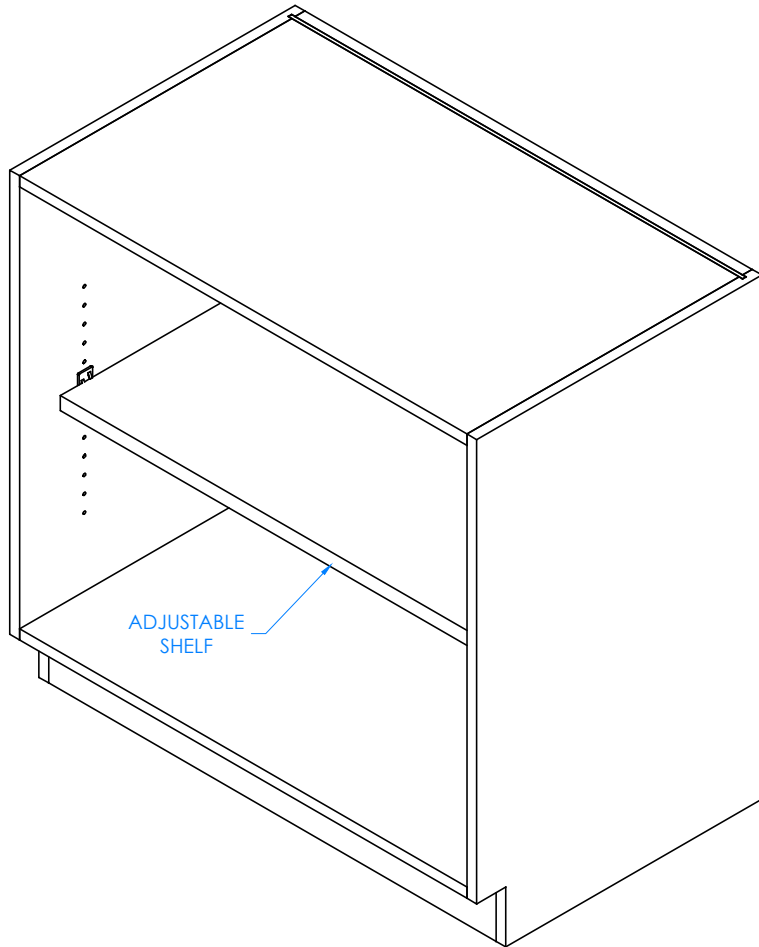


300 South Krueger Street  
 Suring, WI 54174  
 diversifiedwoodcrafts.com

TITLE: ALL STANDARD BASE CABINETS ASSEMBLY INSTRUCTIONS

DRAWING NUMBER:	SCALE:	SHEET:	REVISION:
BASE CABINETS	NTS	3 OF 6	REV A

REV.	DESCRIPTION	DATE	NAME	ECN NO.
A	CREATED ASSEMBLY INSTRUCTIONS	1/9/15	EMR	-
REVISION LEVEL				



STEP 2:

- a. IF UNIT CAME WITH ADJUSTABLE SHELVES, INSERT SHELF CLIPS IN DESIRED LOCATION.
- b. PLACE SHELVES ON CLIPS, MAKING SURE THEY ARE LEVEL.

NOTE:


1.

DOORS AND HARDWARE REMOVED TO SHOW CLARITY

ALL DIMENSIONS ARE IN INCHES UNLESS NOTED OTHERWISE	DWN BY:	EMR	DATE DWN:	1/9/15
DECIMALS: $\frac{X}{1000}$ = ± .030	APR BY:		DATE APR:	
$\frac{XX}{100}$ = ± .020	APR BY:		DATE APR:	
$\frac{XXX}{10}$ = ± .010	APR BY:		DATE APR:	
ANGLES: = ± 1°0	APR BY:		DATE APR:	
CABINET SQUARENESS = ± .0625	APR BY:		DATE APR:	

CONFIDENTIAL:  
 ALL DESIGN RIGHTS RESERVED  
 THE INFORMATION, DATA, DESIGN, AND DRAWINGS EMBODIED IN THIS DOCUMENT AND ALL REPRODUCTIONS THEREOF ARE THE EXCLUSIVE PROPERTY OF DIVERSIFIED WOODCRAFTS, INC.

THESE DOCUMENTS ARE SUPPLIED WITH THE UNDERSTANDING THAT THEY WILL NOT BE DISCLOSED TO THIRD PARTIES WITHOUT WRITTEN CONSENT OF DIVERSIFIED WOODCRAFTS, INC. ANY REPRODUCTION IN PART OR WHOLE WITHOUT WRITTEN CONSENT IS SUBJECT TO LEGAL ACTION.



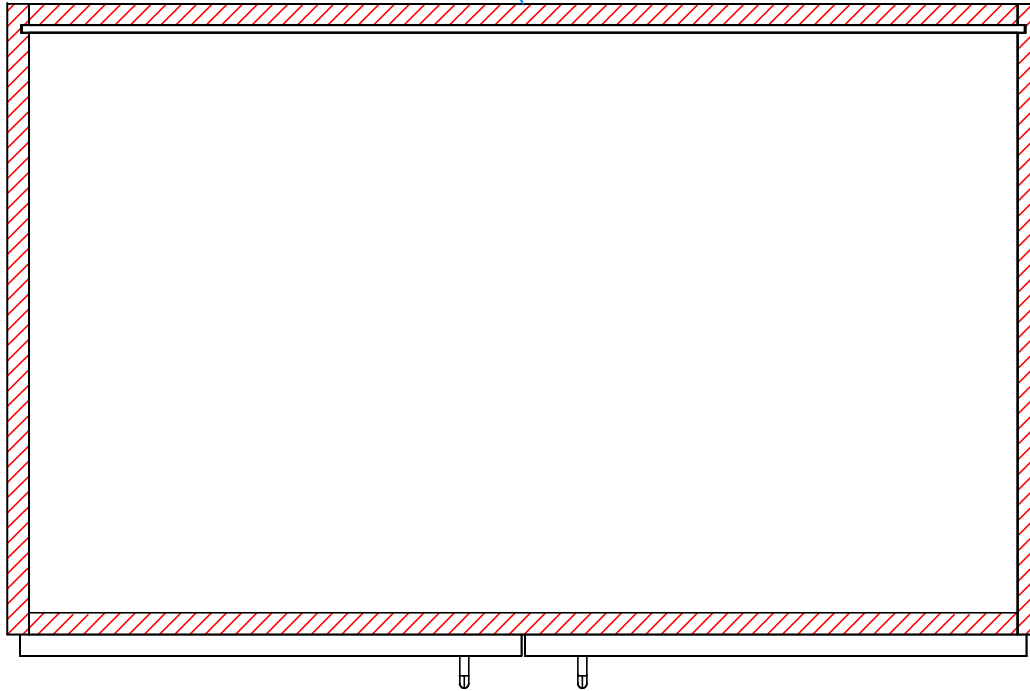
300 South Krueger Street  
 Suring, WI 54174  
 diversifiedwoodcrafts.com

TITLE:  
**ALL STANDARD BASE CABINETS  
 ASSEMBLY INSTRUCTIONS**

REV.	DESCRIPTION	DATE	NAME	ECN NO.
A	CREATED ASSEMBLY INSTRUCTIONS	1/9/15	EMR	-
REVISION LEVEL				

DRAWING NUMBER:	SCALE:	SHEET:	REVISION:
<b>BASE CABINETS</b>	NTS	4 OF 6	REV A

APPLY SILICONE ADHESIVE  
AROUND TOP PERIMETER  
OF CABINET



TOP VIEW OF CABINET


STEP 3:

- IF YOU HAVE A PHENOLIC OR EPOXY TOP, APPLY SILICONE ADHESIVE AROUND TOP PERIMETER OF CABINET. CENTER TOP ON UNIT.
- ALLOW TO CURE FOR 6-12 HOURS.
- IF YOU HAVE A LAMINATE, CHEMGUARD, OR MAPLE TOP, ATTACH WITH RECOMMENDED SCREWS THROUGH CABINET TOP FROM INSIDE OF CABINET.

NOTE:

1.

ALL DIMENSIONS ARE IN INCHES UNLESS NOTED OTHERWISE				
DECIMALS: $\frac{X}{100} = \pm .020$				
$\frac{XX}{1000} = \pm .020$				
$\frac{XXX}{10000} = \pm .010$				
ANGLES: $\frac{X}{100} = \pm 1^{\circ}$				
CABINET SQUARENESS: $\pm .0625$				
DWN BY:	EMR	DATE DWN:	1/9/15	
APR BY:		DATE APR:		
APR BY:		DATE APR:		
CONFIDENTIAL: ALL DESIGN RIGHTS RESERVED THE INFORMATION, DATA, DESIGN, AND DRAWINGS EMBODIED IN THIS DOCUMENT AND ALL REPRODUCTIONS THEREOF ARE THE EXCLUSIVE PROPERTY OF DIVERSIFIED WOODCRAFTS, INC.				
THESE DOCUMENTS ARE SUPPLIED WITH THE UNDERSTANDING THAT THEY WILL NOT BE DISCLOSED TO THIRD PARTIES WITHOUT WRITTEN CONSENT OF DIVERSIFIED WOODCRAFTS, INC. ANY REPRODUCTION IN PART OR WHOLE WITHOUT WRITTEN CONSENT IS SUBJECT TO LEGAL ACTION.				

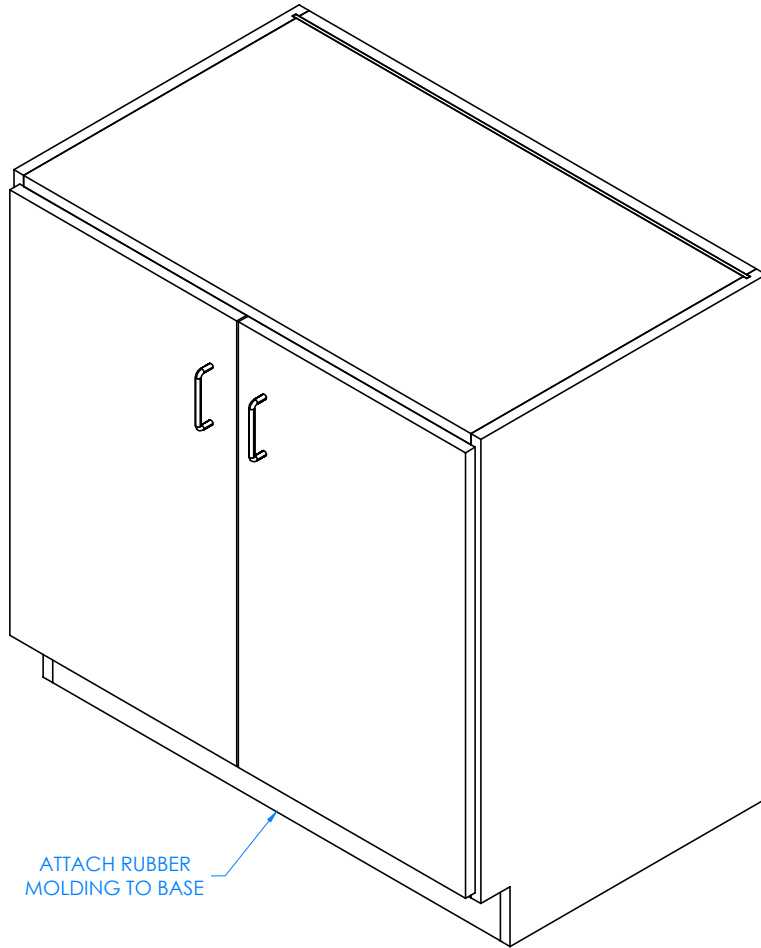


300 South Krueger Street  
Suring, WI 54174  
diversifiedwoodcrafts.com

TITLE:  
**ALL STANDARD BASE CABINETS  
ASSEMBLY INSTRUCTIONS**

DRAWING NUMBER: <b>BASE CABINETS</b>	SCALE: NTS	SHEET: 5 OF 6	REVISION: REV A
---	---------------	------------------	--------------------

REV.	DESCRIPTION	DATE	NAME	ECN NO.
A	CREATED ASSEMBLY INSTRUCTIONS	1/9/15	EMR	-
REVISION LEVEL				



ATTACH RUBBER MOLDING TO BASE

STEP 4:

- ATTACH RUBBER MOLDING TO BASE USING CONTACT CEMENT.
- SCREW STAINLESS STEEL CORNER BRACKETS ON EACH CORNER OVER THE BASE MOLDING WITH HARDWARE PROVIDED.

NOTE:


1.

COMPLETE UNIT SHOWN

ALL DIMENSIONS ARE IN INCHES UNLESS NOTED OTHERWISE	DWN BY:	EMR	DATE DWN:	1/9/15
DECIMALS: .X = ± .030 .XX = ± .020 .XXX = ± .010	APR BY:		DATE APR:	
ANGLES: = ± 1°	APR BY:		DATE APR:	
CABINET SQUARENESS: = ± .0625				

CONFIDENTIAL:  
ALL DESIGN RIGHTS RESERVED  
THE INFORMATION, DATA, DESIGN, AND DRAWINGS EMBODIED IN THIS DOCUMENT AND ALL REPRODUCTIONS THEREOF ARE THE EXCLUSIVE PROPERTY OF DIVERSIFIED WOODCRAFTS, INC.

THESE DOCUMENTS ARE SUPPLIED WITH THE UNDERSTANDING THAT THEY WILL NOT BE DISCLOSED TO THIRD PARTIES WITHOUT WRITTEN CONSENT OF DIVERSIFIED WOODCRAFTS, INC. ANY REPRODUCTION IN PART OR WHOLE WITHOUT WRITTEN CONSENT IS SUBJECT TO LEGAL ACTION.



300 South Krueger Street  
Suring, WI 54174  
diversifiedwoodcrafts.com

TITLE:  
ALL STANDARD BASE CABINETS  
ASSEMBLY INSTRUCTIONS

REV.	DESCRIPTION	DATE	NAME	ECN NO.
A	CREATED ASSEMBLY INSTRUCTIONS	1/9/15	EMR	-

REVISION LEVEL

DRAWING NUMBER:	SCALE:	SHEET:	REVISION:
BASE CABINETS	NTS	6 OF 6	REV A