

## Hierarchy Desks & Tables

Part Numbers: 10X3XX-XXXX, 11X3XX-XXXX, 13X3XX-XXXX, 14X3XX-XXXX, 15X3XX-XXXX, 16X3XX-XXXX, 17X3XX-XXXX

### TOP:

The top is made of 1 1/8" Particleboard Core with 3mm Flat Vinyl T-Mold Edge. The work surface is constructed of 45# particleboard core with high-pressure laminate (HPL) top surface and phenolic backer sheet for balanced construction. 1 1/8" 3mm flat vinyl t-mold is secured to the work surface with brad nails along the perimeter. Overall top thickness of 1.25".

### LEG (KIDS & STANDARD HEIGHT):

The 1.5" diameter 14 gauge powder coated leg receiver is welded to a 10 gauge steel top plate and two 12 gauge gussets for strength. Legs are directly mounted to the top with six #10 x 1" wood screws. The leg insert is a 34mm 17-gauge chrome plated steel tube with welded in threaded glide insert. Legs are standard with nylon glides that have 3/4" height adjustment range for leveling, and an M10 threaded stem. 50mm single urethane wheel casters with a M10 threaded stem are available for easy field installation in locking and non-locking. Casters add 3" of height to the desk.

### LEG (STANDING HEIGHT):

The 1.75" diameter 9 gauge powder coated leg receiver is welded to a 10 gauge steel top plate and two 10 gauge gussets for strength. Legs are directly mounted to the top with nine #10 x 1" wood screws. The leg insert is a 40mm 11-gauge chrome plated steel tube with press fit plastic cap. Legs are standard with M10 nylon glides. 60mm dual wheel soft casters with threaded stem are available in locking and non-locking. Casters add 2" of height to the desk.

### HEIGHT ADJUSTMENT:

Adjustment range is from 22"-32" in 1" increments for standard legs, 12"-18" for kids height legs, and 27" - 42" for the standing height leg option. Two M6 x 15MM low profile socket head screws with an allen drive are used to tighten the leg insert at the chosen height for kids and standard height legs. Standing height leg uses a single M6 set screw to fix the height.



### OPTIONS / ACCESSORIES:

All Shapes Desk tops are available with a variety of laminate and edgeband options, as well as black or platinum legs.

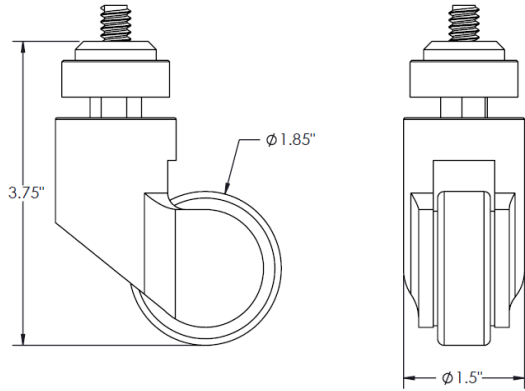
Optional accessories include a pair of casters, backpack hook, enclosed book box, ganging device, and clamp mounted electrical unit.

### COMPLIANCE:

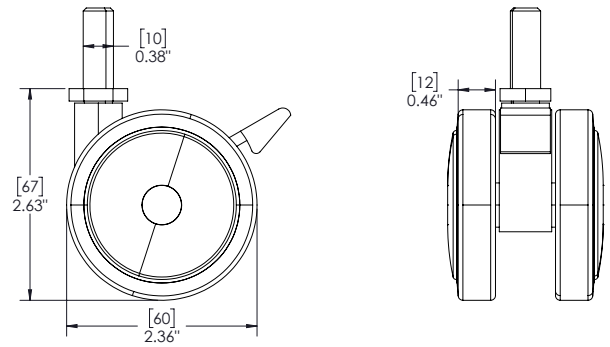
SCS Indoor Advantage Gold certified.

All Shapes Desks pass BIFMA table and leg static load tests as well as leg pull test requirements.

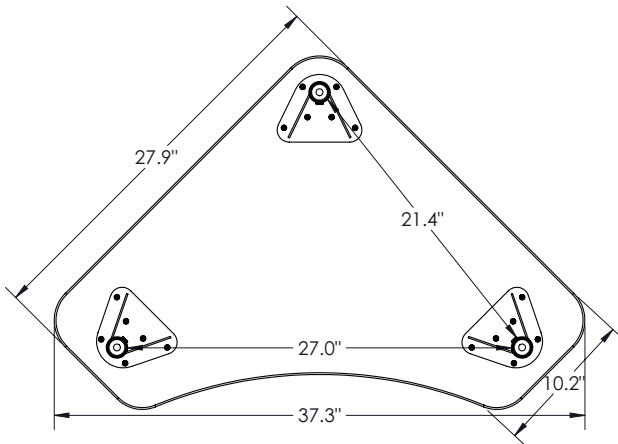
### CASTER OPTION (KIDS & STANDARD)



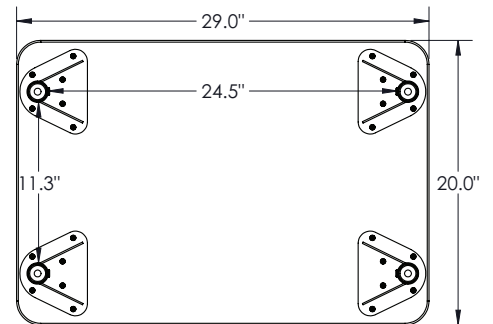
### CASTER OPTION (STANDING)



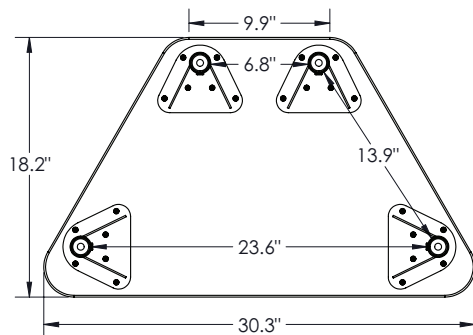
### BOOMERANG DESK



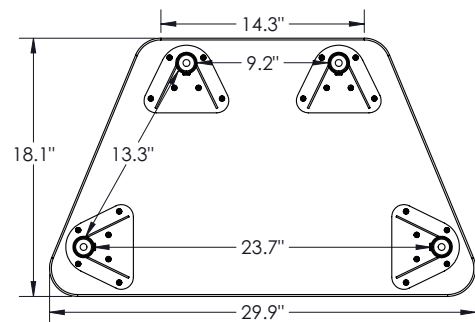
### SNAP RECTANGLE DESK



### SNAP HEXAGONAL TRAP DESK



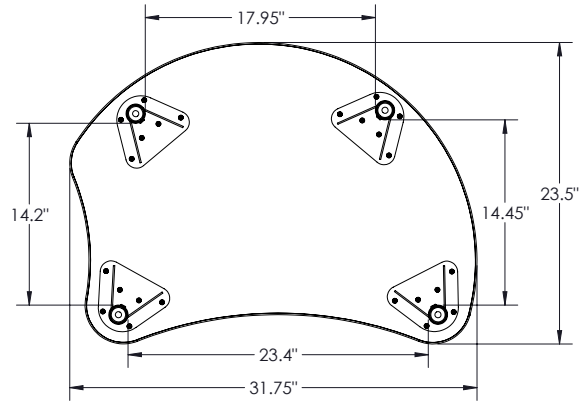
### SNAP OCTAGONAL TRAP DESK



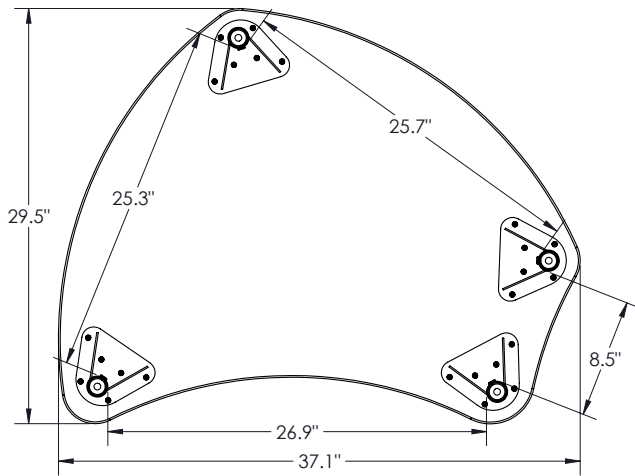
**MOORECO**™

**MOORECO INC.**  
 2885 Lorraine Avenue | Temple, TX 76501  
 p: 800.749.2258 | f: 866.888.7483  
[www.moorecoinc.com](http://www.moorecoinc.com)

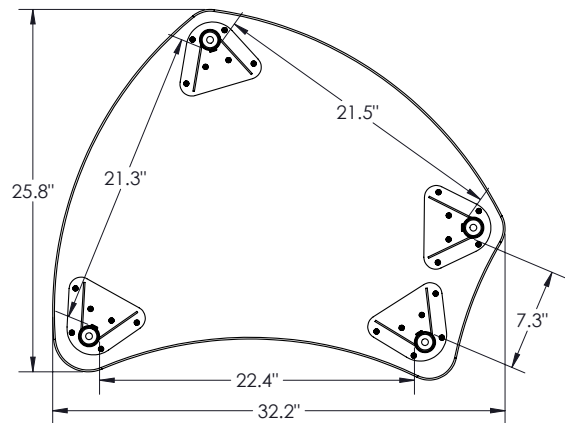
## SAIL DESK



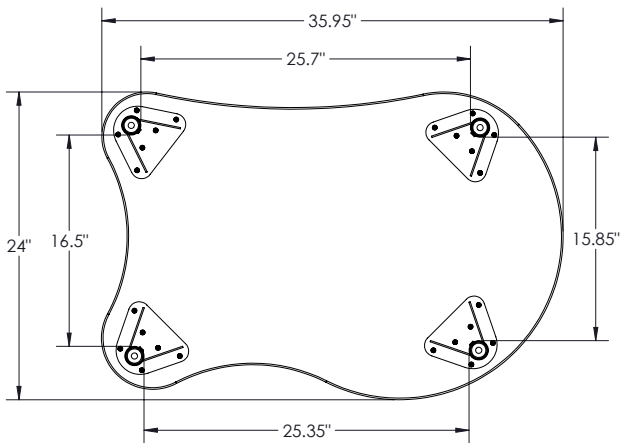
## LARGE SHAPES DESK



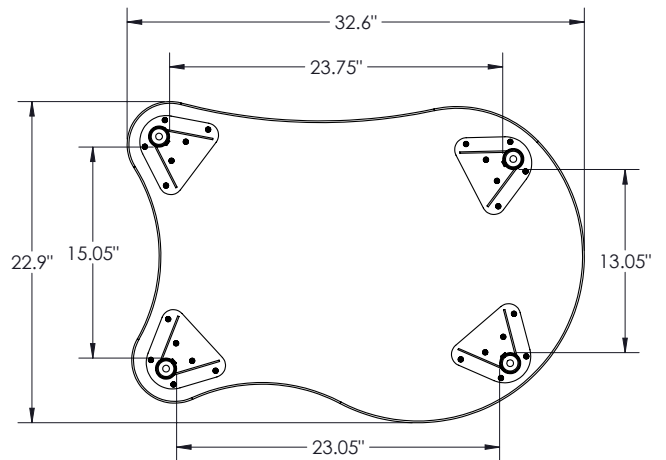
## STANDARD SHAPES DESK



## LARGE FENDER DESK



## STANDARD FENDER DESK



**MOORECO**™

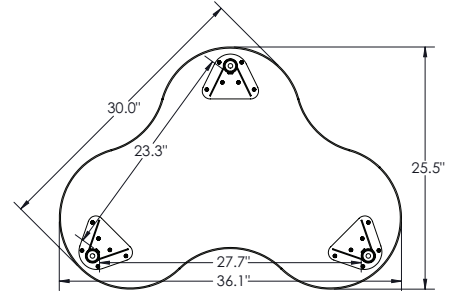
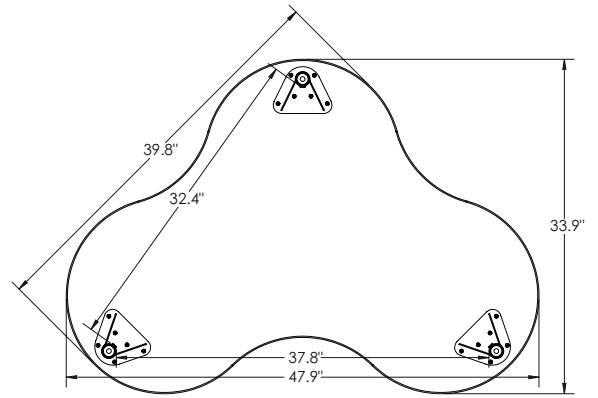
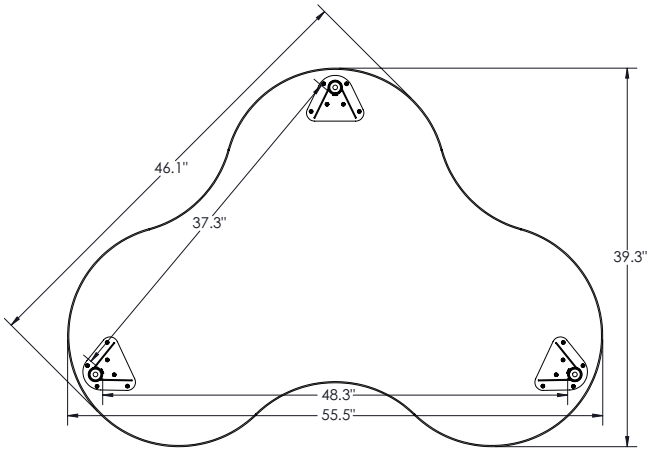
**MOORECO INC.**

2885 Lorraine Avenue | Temple, TX 76501

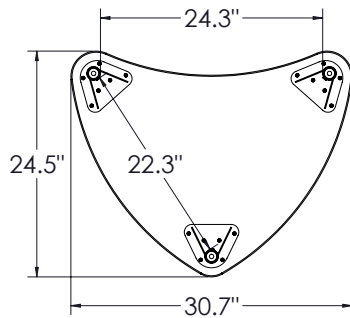
p: 800.749.2258 | f: 866.888.7483

[www.moorecoinc.com](http://www.moorecoinc.com)

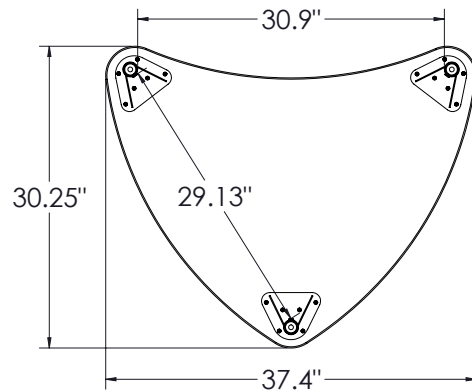
# CLOUD 9 DESK (LARGE, MEDIUM, SMALL)



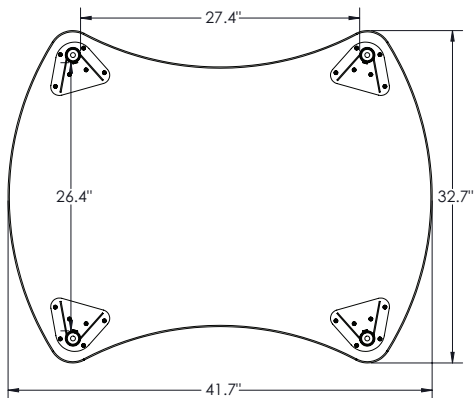
## CHEVRON DESK



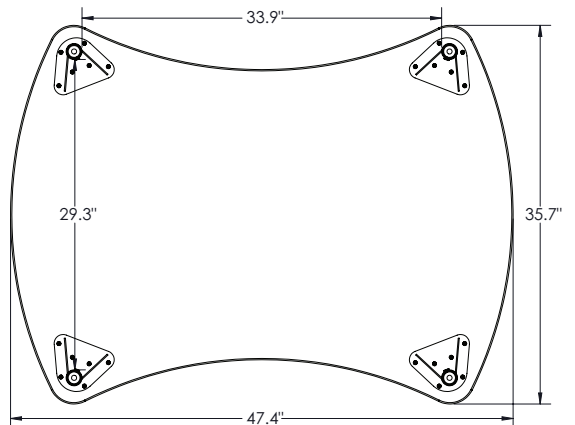
## CHEVRON TABLE



## QUAD DESK



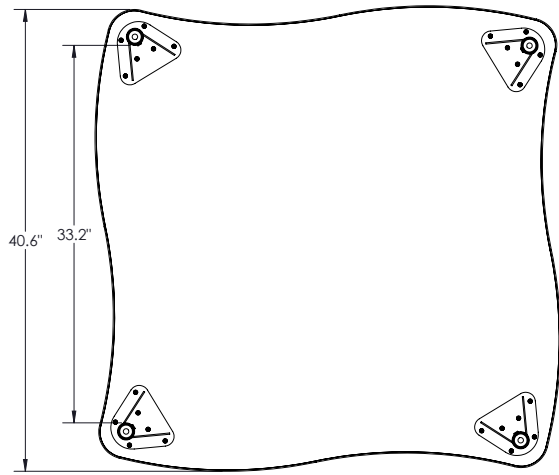
## QUAD TABLE



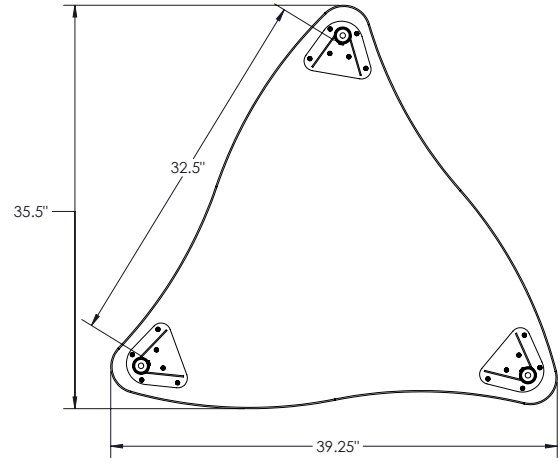
**MOORECO**™

**MOORECO INC.**  
 2885 Lorraine Avenue | Temple, TX 76501  
 p: 800.749.2258 | f: 866.888.7483  
[www.moorecoinc.com](http://www.moorecoinc.com)

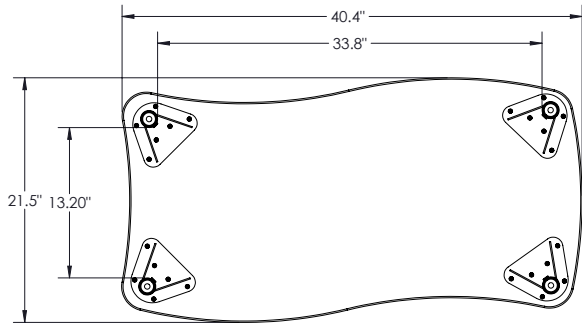
### ADA CREATOR SQUARE DESK



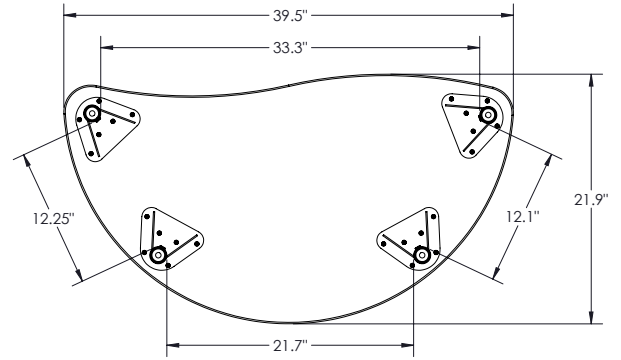
### ADA CREATOR TRIANGLE DESK



### ADA CREATOR RECTANGLE DESK

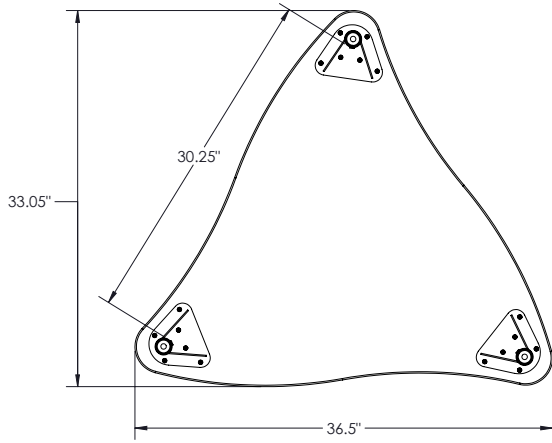


### ADA CREATOR HALF ROUND DESK

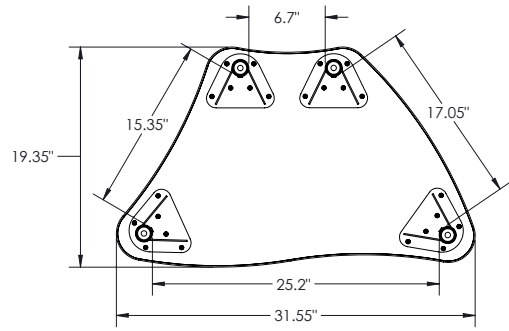


**MOORECO INC.**  
2885 Lorraine Avenue | Temple, TX 76501  
p: 800.749.2258 | f: 866.888.7483  
[www.moorecoinc.com](http://www.moorecoinc.com)

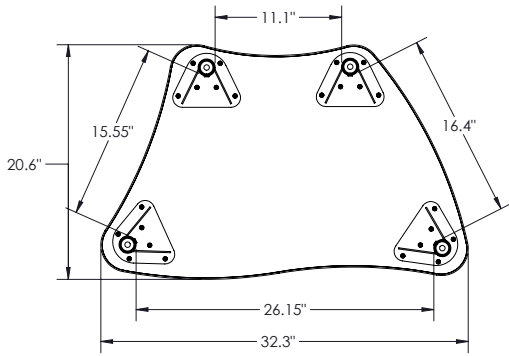
### CREATOR TRIANGLE DESK



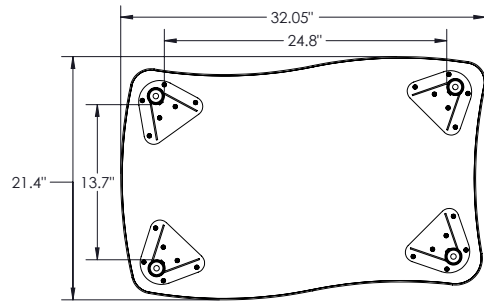
### CREATOR HEXAGON TRAP DESK



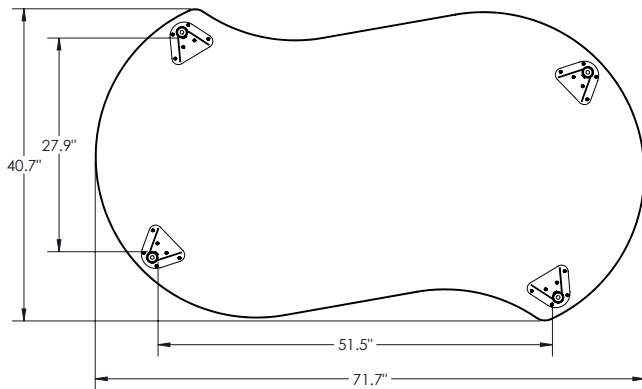
### CREATOR OCTAGON TRAP DESK



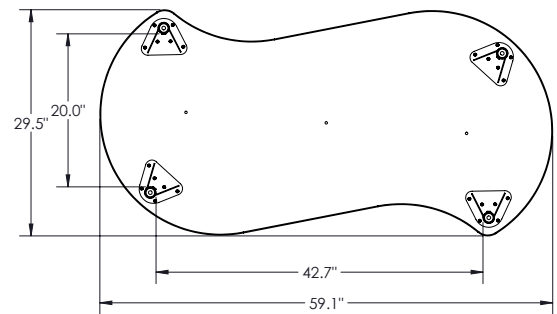
### CREATOR RECTANGLE DESK



### LARGE TWISTER DESK

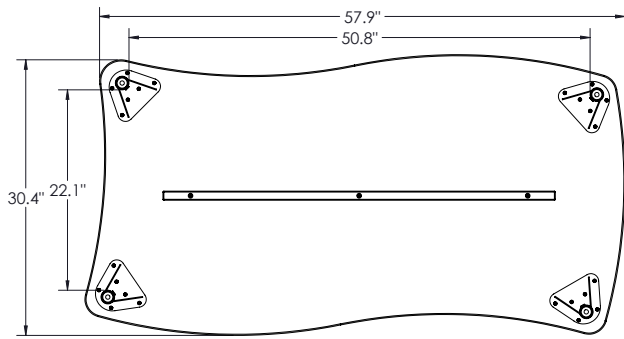


### SMALL TWISTER DESK

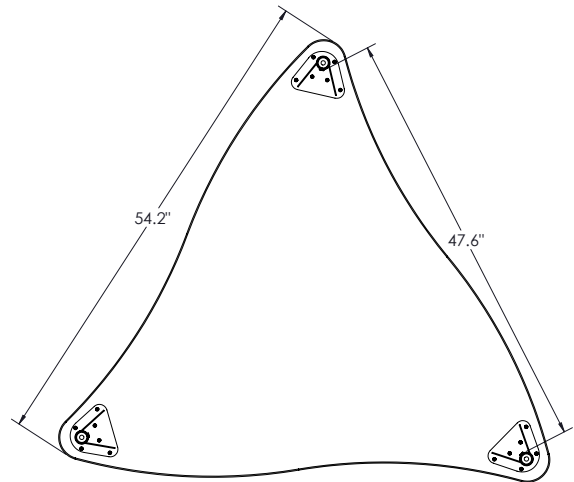


**MOORECO INC.**  
 2885 Lorraine Avenue | Temple, TX 76501  
 p: 800.749.2258 | f: 866.888.7483  
[www.moorecoinc.com](http://www.moorecoinc.com)

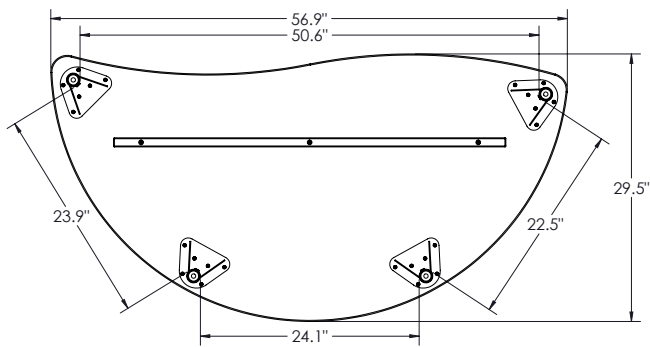
### CREATOR RECTANGLE TABLE



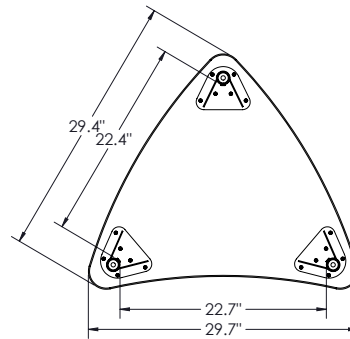
### CREATOR TRIANGLE TABLE



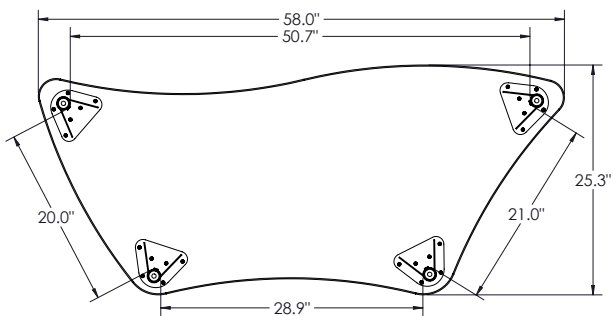
### CREATOR HALF ROUND TABLE



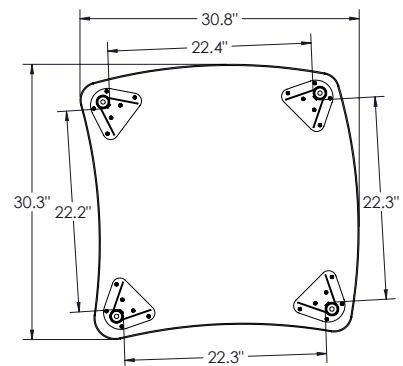
### CREATOR CHEVRON TABLE



### CREATOR TRAPEZIOD TABLE



### CREATOR SQUARE TABLE



**MOORECO**™

**MOORECO INC.**  
 2885 Lorraine Avenue | Temple, TX 76501  
 p: 800.749.2258 | f: 866.888.7483  
[www.moorecoinc.com](http://www.moorecoinc.com)

## DIMENSIONS:

Base Model No.	Description	Height – Min. "	Height – Max. "	Overall Depth "	Overall Width "
10X3HX-XXXX	Boomerang Desk	12"/22"/27" (kids, std, standing)	18", 32", 42" (kids, std, standing)	24.1"	36.7"
10X31X-XXXX	Rectangle Snap Desk	12"/22"/27" (kids, std, standing)	18", 32", 42" (kids, std, standing)	20"	29"
10X33X-XXXX	Octagonal Trapezoid Snap Desk	12"/22"/27" (kids, std, standing)	18", 32", 42" (kids, std, standing)	18"	30"
10X34X-XXXX	Hexagonal Trapezoid Snap Desk	12"/22"/27" (kids, std, standing)	18", 32", 42" (kids, std, standing)	18"	30"
11X5X-XXXX	Large Shapes Desk	12"/22"/27" (kids, std, standing)	18", 32", 42" (kids, std, standing)	29.5"	37.1"
11X6X-XXXX	Standard Shapes Desk	12"/22"/27" (kids, std, standing)	18", 32", 42" (kids, std, standing)	25.8"	32.2"
11XRX-XXXX	Standard Fender Desk	12"/22"/27" (kids, std, standing)	18", 32", 42" (kids, std, standing)	22.9"	32.6"
11X5X-XXXX	Large Fender Desk	12"/22"/27" (kids, std, standing)	18", 32", 42" (kids, std, standing)	24"	35.95"
11XAX-XXXX	Sail Desk	12"/22"/27" (kids, std, standing)	18", 32", 42" (kids, std, standing)	23.5"	31.75"
13X3CX-XXXX	Small Cloud 9 Desk	12"/22"/27" (kids, std, standing)	18", 32", 42" (kids, std, standing)	25.5"	36.1"
13X3BX-XXXX	Medium Cloud 9 Table	12"/22"/27" (kids, std, standing)	18", 32", 42" (kids, std, standing)	33.9"	47.9"
13X3AX-XXXX	Large Cloud 9 Table	12"/22"/27" (kids, std, standing)	18", 32", 42" (kids, std, standing)	39.3"	55.5"
14X3EX-XXXX	Small Quad Desk	12"/22"/27" (kids, std, standing)	18", 32", 42" (kids, std, standing)	32.7"	41.7"
14X3DX-XXXX	Large Quad Table	12"/22"/27" (kids, std, standing)	18", 32", 42" (kids, std, standing)	35.7"	47.4"
15X3GX-XXXX	Small Chevron Desk	12"/22"/27" (kids, std, standing)	18", 32", 42" (kids, std, standing)	24.5"	30.7"
15X3FX-XXXX	Large Chevron Table	12"/22"/27" (kids, std, standing)	18", 32", 42" (kids, std, standing)	30.3"	37.4"
16X3AX-XXXX	ADA Creator Square Desk	12"/22"/27" (kids, std, standing)	18", 32", 42" (kids, std, standing)	40.6"	40.6"
16X3BX-XXXX	ADA Creator Triangle Desk	12"/22"/27" (kids, std, standing)	18", 32", 42" (kids, std, standing)	35.5"	39.25"
16X3CX-XXXX	ADA Creator Rectangle Desk	12"/22"/27" (kids, std, standing)	18", 32", 42" (kids, std, standing)	21.5"	40.4"
16X3DX-XXXX	ADA Creator Half Round Desk	12"/22"/27" (kids, std, standing)	18", 32", 42" (kids, std, standing)	21.9"	39.5"
16X3EX-XXXX	Creator Triangle Desk	12"/22"/27" (kids, std, standing)	18", 32", 42" (kids, std, standing)	33"	36.5"
16X3FX-XXXX	Creator Hexagon Trap Desk	12"/22"/27" (kids, std, standing)	18", 32", 42" (kids, std, standing)	19.4"	31.6"
16X3GX-XXXX	Creator Octagon Trap Desk	12"/22"/27" (kids, std, standing)	18", 32", 42" (kids, std, standing)	20.6"	32.3"
16X3HX-XXXX	Creator Rectangle Desk	12"/22"/27" (kids, std, standing)	18", 32", 42" (kids, std, standing)	21.4"	32"
16X3JX-XXXX	Creator Trapezoid Table	12"/22"/27" (kids, std, standing)	18", 32", 42" (kids, std, standing)	25"	58"
16X3KX-XXXX	Creator Triangle Table	12"/22"/27" (kids, std, standing)	18", 32", 42" (kids, std, standing)	49.1"	54.3"
16X3MX-XXXX	Creator Square Table	12"/22"/27" (kids, std, standing)	18", 32", 42" (kids, std, standing)	30.3"	30"
16X3NX-XXXX	Creator Half Round Table	12"/22"/27" (kids, std, standing)	18", 32", 42" (kids, std, standing)	29.6"	57"
16X3PX-XXXX	Creator Chevron Table	12"/22"/27" (kids, std, standing)	18", 32", 42" (kids, std, standing)	26"	29.8"
16X3QX-XXXX	Creator Rectangle Table	12"/22"/27" (kids, std, standing)	18", 32", 42" (kids, std, standing)	32.6"	58.8"
17X3UX-XXXX	Small Twister Desk	12"/22"/27" (kids, std, standing)	18", 32", 42" (kids, std, standing)	317"	59.2"
17X3TX-XXXX	Large Twister Desk	12"/22"/27" (kids, std, standing)	18", 32", 42" (kids, std, standing)	37.6"	71.7"

## ACCESSORIES:

Base Model No.	Description
66654/66659	Kids/Std Heigh Student Desk Casters (Non-Locking/Locking)
12934	Standing Student Desk Casters
66661/66662	Wire Book Box (Black/Chrome)
66632/66633	Enclosed Book Box (Black/Platinum)
45131	Tote Tray
66669	Pack Hook (Set of 2)
59019	Student Desk Cup Holder
66675	Clamp mount outlet & USB Charger



**MOORECO INC.**  
 2885 Lorraine Avenue | Temple, TX 76501  
 p: 800.749.2258 | f: 866.888.7483  
[www.moorecoinc.com](http://www.moorecoinc.com)