



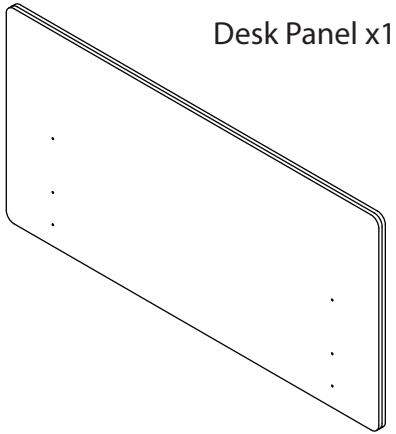
SIGHT + SOUND DAMPENING PRIVACY PANELS



Instructions for the RECLAIM™ Desktop Privacy Panels

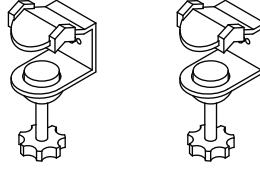
Parts:

Box 1



Desk Panel x1

Box 2



Clamp x2



Screw x2



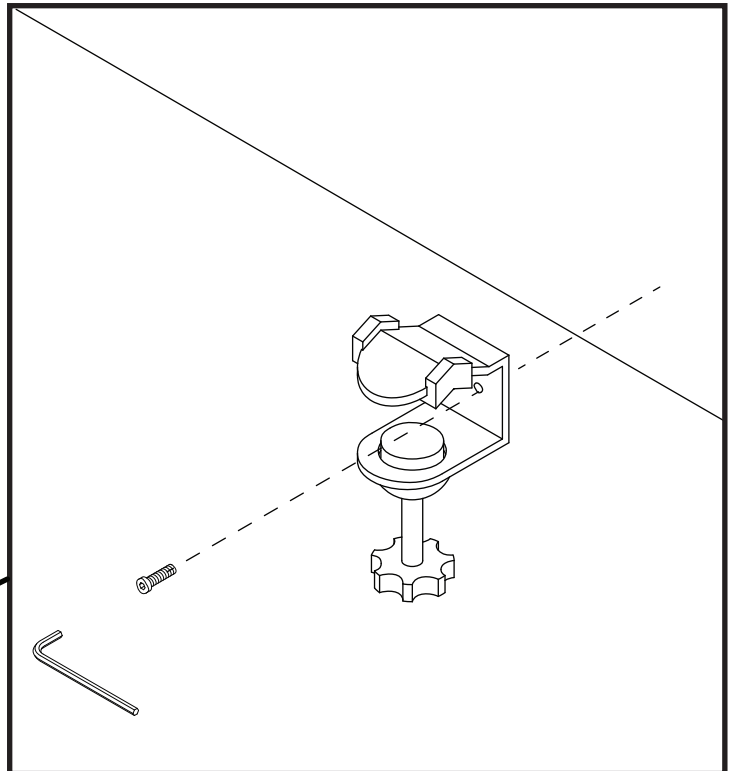
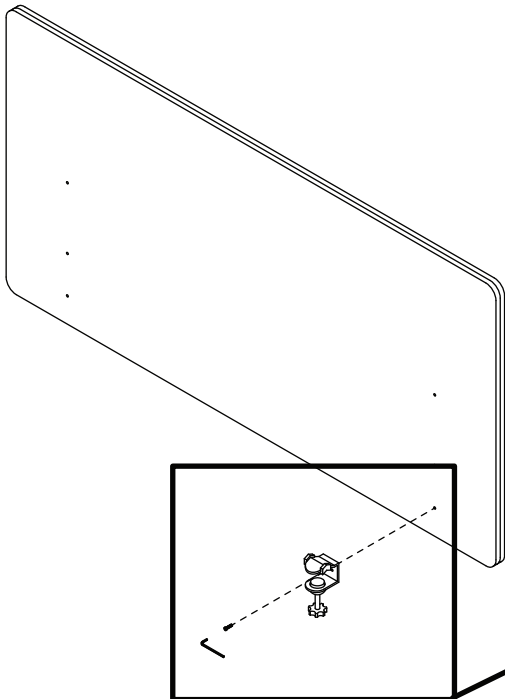
Hole Plugs x4



Allen Wrench x1

\* Please note: The 60" x 24" Panels come with a total of 3 Clamps, 3 Screws, & 6 Hole Plugs.

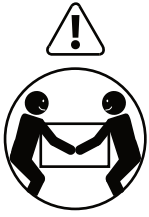
- 1 Please read all instructions before installation. Choose the desired height of the Panel. Hold Clamp up to the pre-drilled hole and insert Screw through the Clamp and into the Panel. Make sure that the Clamp is straight up and down for proper attachment to desk. Use the Allen Wrench to tighten until secure. Repeat with the other Clamp.



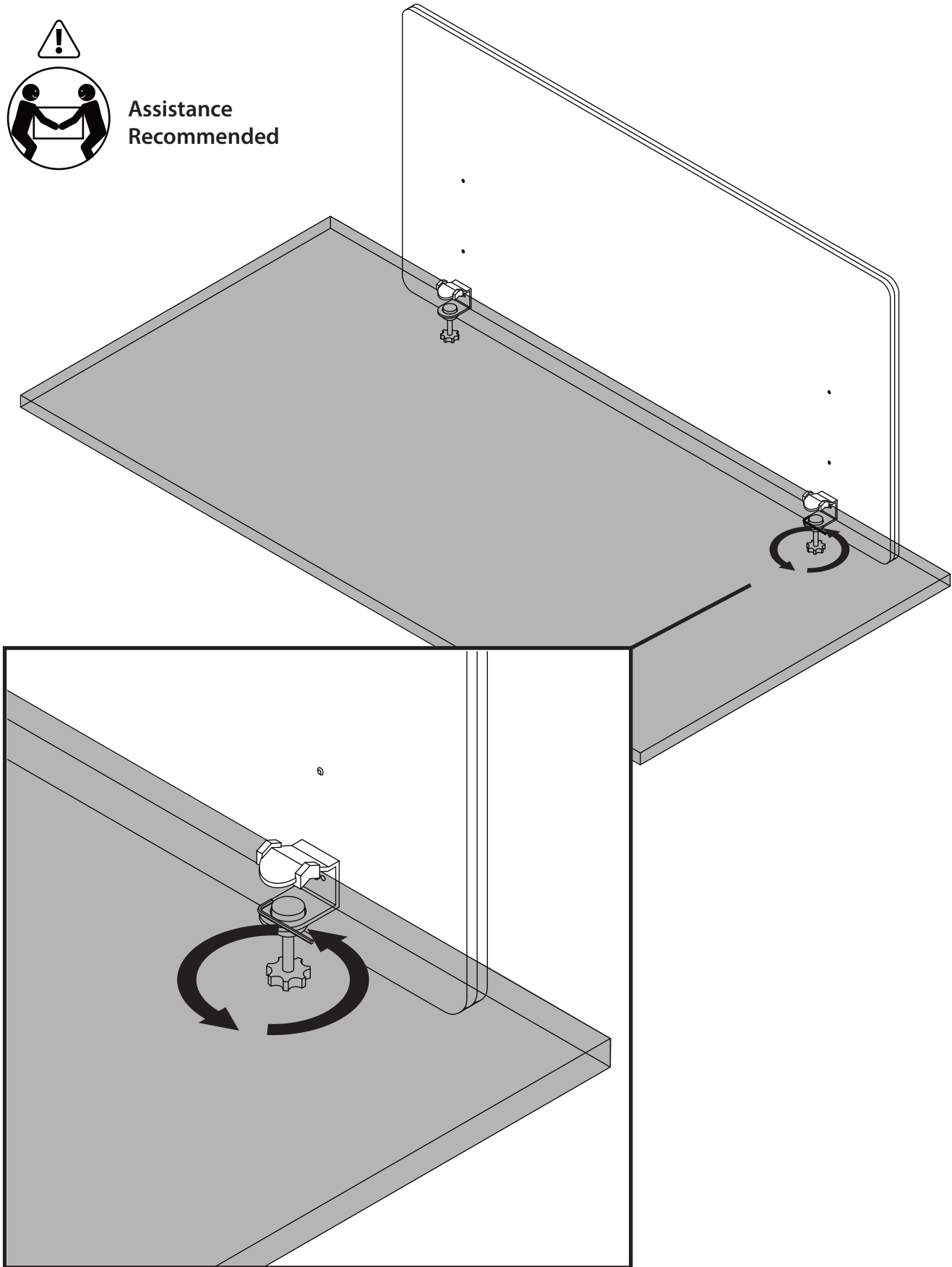
LUXOR

LuxorFurn.com/Reclaim

- 2 With help, slide the panel onto the desk making sure that the edge of the desk is all the way back inside of the clamp. Tighten the knob on both Clamps until the Panel is secured. For the 60" x 24" Panels, there will be a third clamp in the middle. Make sure that clamp is attached before installing the Panel to the desk.



Assistance  
Recommended



**LUXOR**

[LuxorFurn.com/Reclaim](http://LuxorFurn.com/Reclaim)