

Final Assembly:



Important Information:



Adult Assembly Required

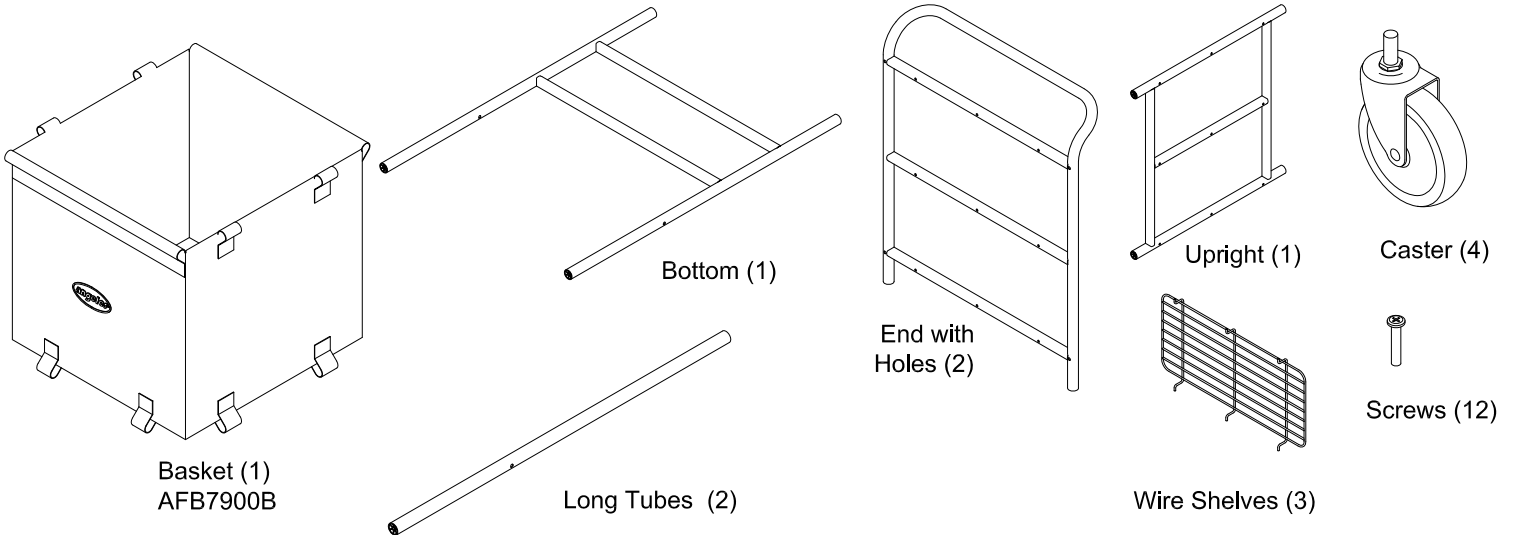
This product contains hardware that before assembly, contains sharp points and small parts that can pose a laceration and choking hazard to children under the age of 3 years. Care should be taken when unpacking and assembling this product.

Risk of Suffocation

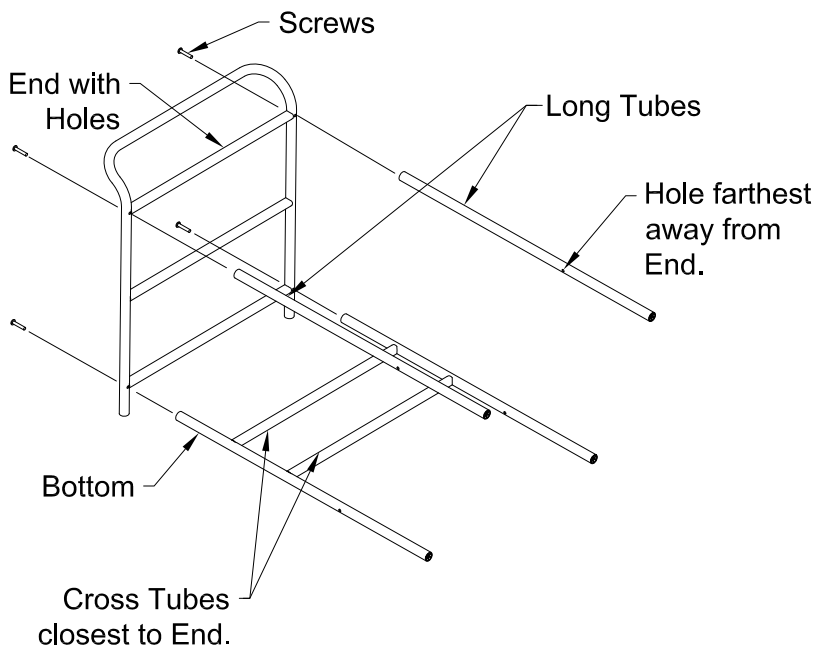
Remove plastic film, keep away from small children. The thin film may cling to nose and mouth and prevent breathing.

IMPORTANT - KEEP THESE INSTRUCTIONS FOR FUTURE REFERENCE

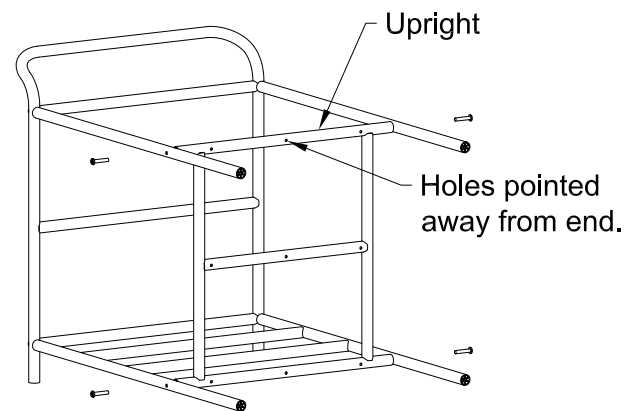
What's Included:



Assembly Instructions:

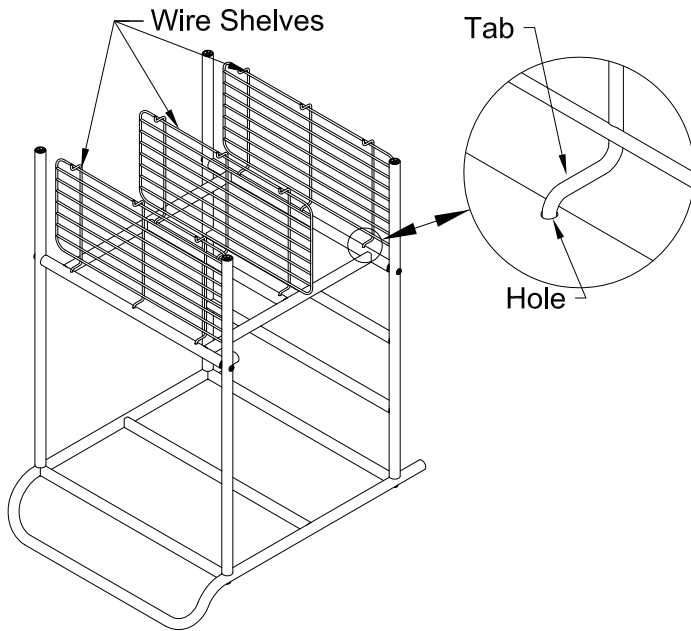


Step #1 - Assemble the End with the Long Tubes (hole farthest away from End) and the Bottom (the cross tubes closest to the end) as shown.
DO NOT TIGHTEN SCREWS DOWN TIGHT!

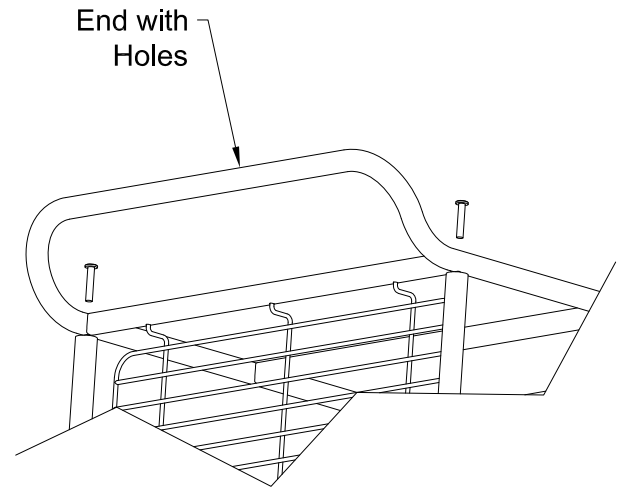


Step #2 - Assemble the Upright with the holes pointed away from the end as shown.
DO NOT TIGHTEN SCREWS DOWN TIGHT!

Assembly Instructions:

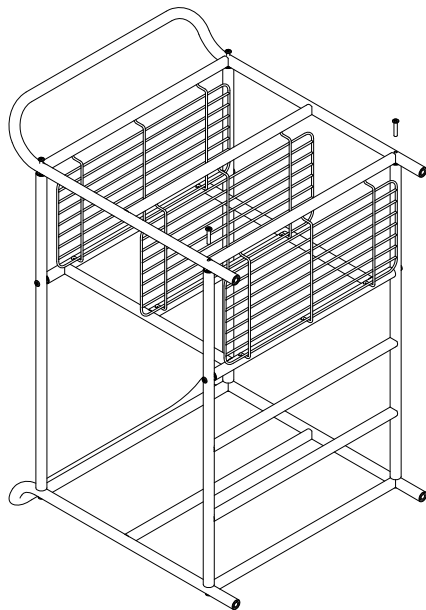


Step #3 - Turn the assembly on end and install the tabs on all three wire shelves into the holes of the Upright.

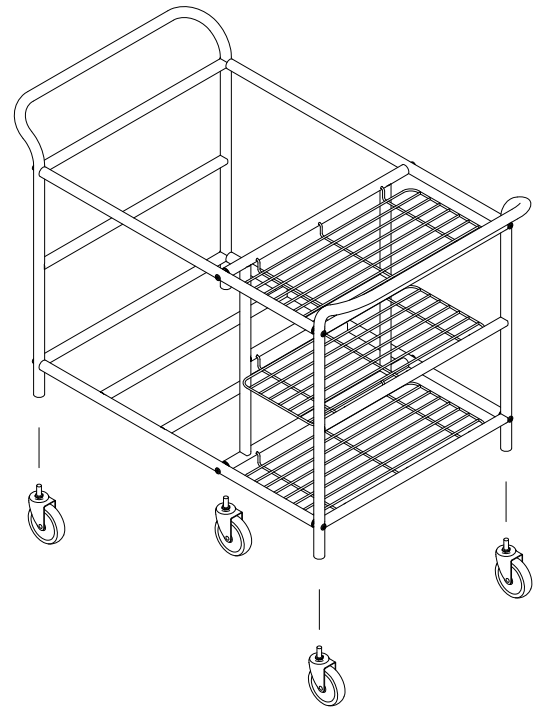


Step #4 - Carefully place the tabs of the top wire shelf into the holes of the End and install ONLY the top two screws.

Only turn these screws just enough to start the threads holding.

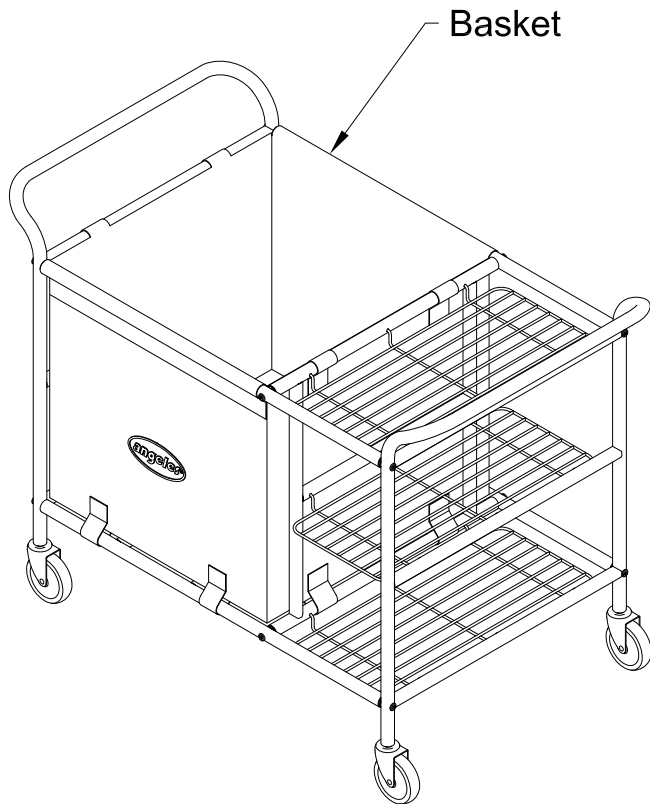


Step #5 - Carefully work the tabs of the middle wire shelf into the holes of the End being careful not to allow the tabs of the top shelf work out. Repeat again for the bottom shelf and install the remaining bottom two screws. ***TIGHTEN ALL SCREWS TIGHT.***



Step #6 - Install the four casters by screwing one into each leg.

Assembly Instructions:



Step #7 - Install the basket as shown (with the Angeles emblem facing out) using the hook and loop fasteners sewn onto the cloth.

Cleaning & Maintenance:

Thank you for your purchase of our Angeles product. Periodic cleaning and maintenance will insure that it will provide many years of service.

Cleaning

A soft cloth and a mixture of mild non-abrasive soap and water is usually enough to clean heavily soiled deposits from our products. Cleaners should be used as a last resort and be used only following the warnings and directions on the cleaner.

To disinfect, Add 1/4 cup of bleach to 1 gallon of cool water or for a smaller amount you can mix 1 tablespoon bleach to 1 quart cool water.

Keep the bleach solution you mix each day in a cool place out of direct sunlight and out of the reach of children.

PLEASE NOTE - A solution of bleach and water loses its strength very quickly and easily. It is weakened by organic material, evaporation, heat, and sunlight. Therefore, bleach solution should be mixed fresh each day to make sure it is effective. Any leftover solution should be discarded at the end of the day. *NEVER mix bleach with anything but fresh tap water!*

Maintenance

Tools that are provided with the product should be retained and used with maintaining your Angeles product.

Using common tools and/or supplied tools, check bolts and screws monthly to ensure the tightness.

Light oil in moderation can be used on moving parts to ensure proper movement and operation. Be sure to properly clean up any excessive oil.

Questions, comments or concerns...

Please contact our Customer Service department by email at customerservice@childrensfactory.com