

Hierarchy 4-Leg and Castered School Chair

Model No: 53312-1-XXXX, 53314-1-XXXX, 53316-1-XXXX, 53318-1-XXXX,
53312-5-XXXX, 53314-5-XXXX, 53316-5-XXXX, 53318-5-XXXX,
54316-1-XXXX, 54318-1-XXXX

OVERVIEW:

Hierarchy Seating is available in four leg, four leg caster, cantilever, task and stool models. Four leg models are available in 12", 14", 16", 18" seat heights.

SHELL SPECIFICATIONS:

Seat is designed as a single-piece structurally engineered injection-molded shell of reinforced polypropylene. Dual molded in support channels eliminate the need for any external surface support ribs or exposed tubing. Shell construction yields an extremely durable yet flexible shell with a clean and pleasing aesthetic. Patented shell geometry and design yields an extremely comfortable and ergonomic seat surface. Large carrying handle shall be centered for best weight distribution and ease of use. The shell is offered in all eight (8) Hierarchy colors.

FRAME SPECIFICATIONS:

4-leg glide frames are constructed of 1" diameter 16-gauge cold rolled tubular steel front and rear legs are fully welded to two 14-gauge U-channel support brackets for superior strength and durability. 4-leg caster chairs are constructed of 1" diameter 14-gauge cold rolled tubular steel front and rear legs. The frame support brackets attach to the poly seat shell using four (4) ¼ steel pop rivets for superior load bearing capacity and tamper proof, higher shear strength shell retention. Poly shell chairs are rated for use up to 250lbs. Frame is available in chrome or platinum finish.

GLIDE/CASTER SPECIFICATIONS:

Steel swivel glides utilize an internal star clip and are standard in white nylon to accommodate a variety of flooring types. Casters are black finish only and come standard in nylon (hard casters). Casters feature 11mm x 22mm push in stem that engages into custom injection molded glass filled nylon caster insert.



OPTIONS / ACCESSORIES:

Caster option available in 16" and 18" heights.
Available with or without Arms (WA or NA).

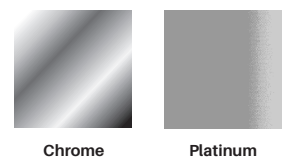
COMPLIANCE:

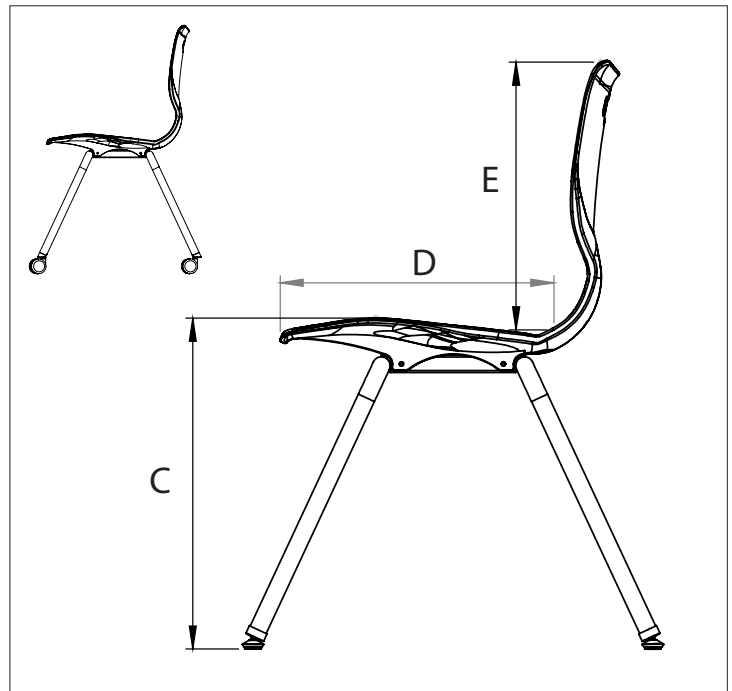
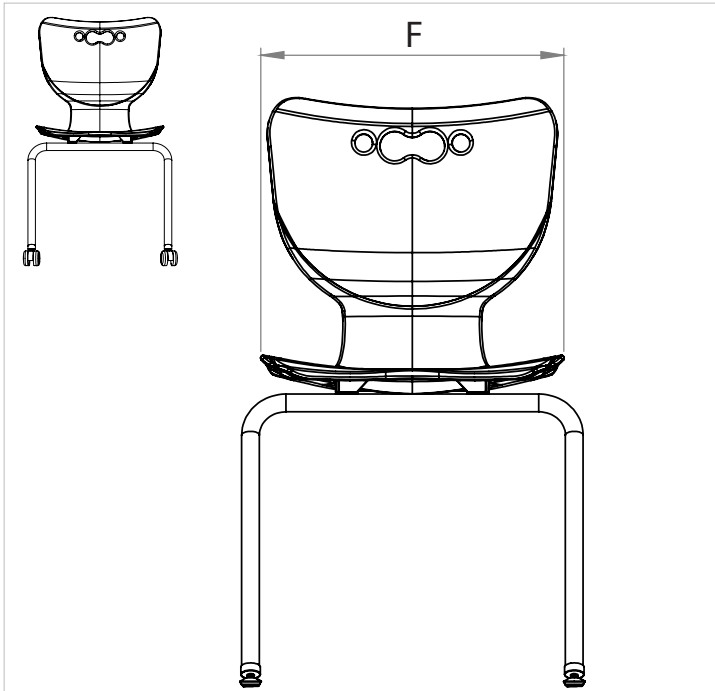
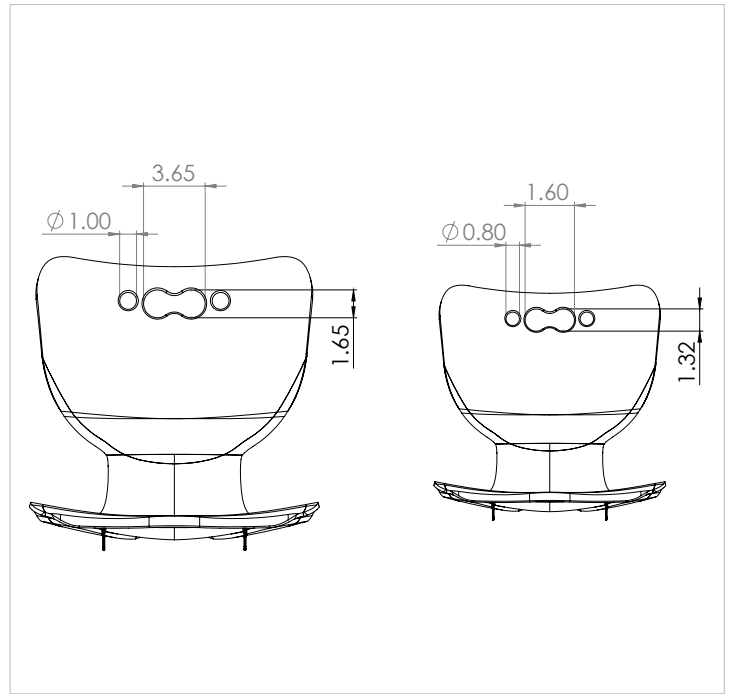
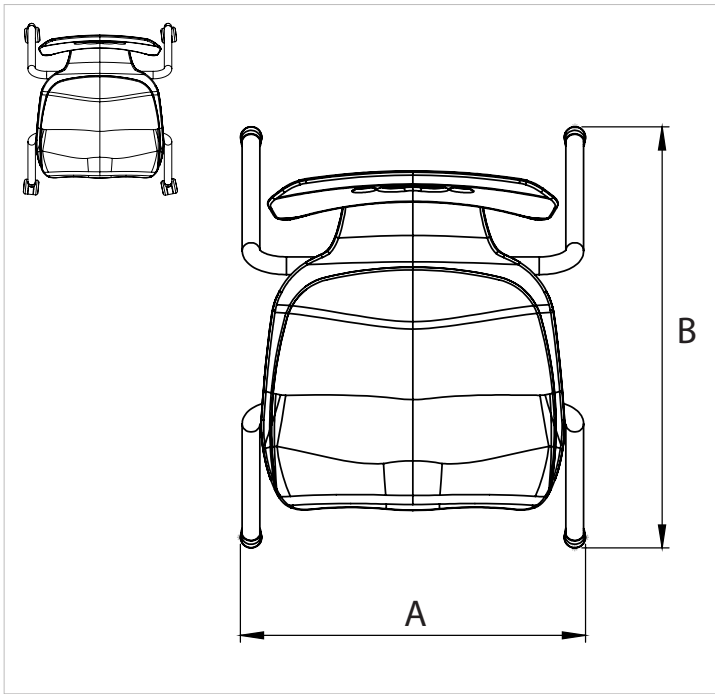
Meets or exceeds ANSI/BIFMA X6.1-2012

SEAT COLOR:



FRAME COLOR:





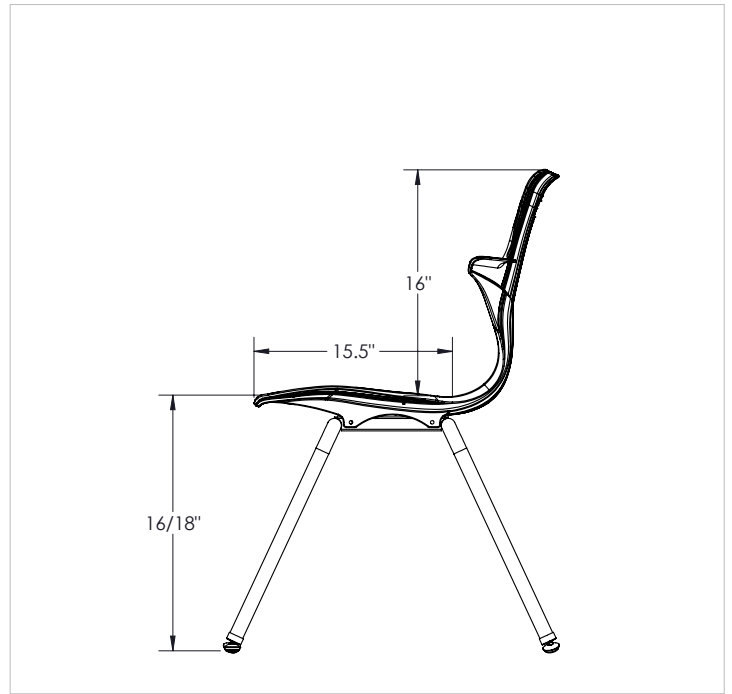
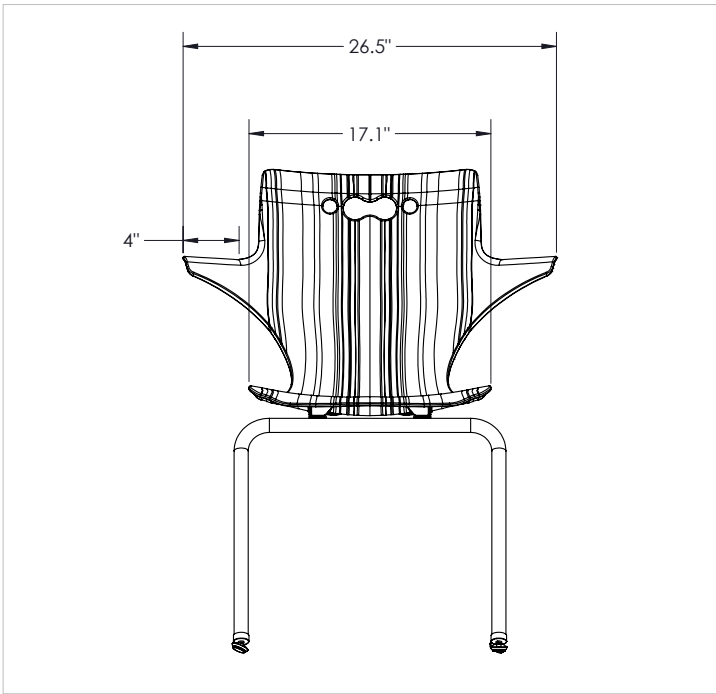
DIMENSIONS:

Base Model No.	C= Height - Seat *	F= Width - Seat *	D= Depth - Seat *	E= Height - Seat Back*	A= Width - Overall*	B= Depth - Overall*	Weight - Lbs.
53312-1-XXXX (single) or 53312-5-XXXX (5-pack)	12"	13.5"	12.25"	12"	16"	17"	7 Lbs.
53314-1-XXXX (single) or 53314-5-XXXX (5-pack)	14"	13.5"	12.25"	12"	16"	18.9"	7.5 Lbs.
53316-1-XXXX (single) or 53316-5-XXXX (5-pack)	16"	17.1"	15.5"	15.1"	19.5"	21.9"	11 Lbs.
53318-1-XXXX (single) or 53318-5-XXXX (5-pack)	18"	17.1"	15.5"	15.1"	19.5"	23.75"	11.5 Lbs.
54316-1-XXXX (single) or 54316-5-XXXX (5-pack)	16"	17.1"	15.5"	15.1"	20.5"	23.75"	12.5 Lbs.
54318-1-XXXX (single) or 54318-5-XXXX (5-pack)	18"	17.1"	15.5"	15.1"	20.5"	23.75"	12.5 Lbs.



MOORECO™

MOORECO INC.
 2885 Lorraine Avenue | Temple, TX 76501
 p: 800.749.2258 | f: 866.888.7483
www.moorecoinc.com



DIMENSIONS:

Base Model No.	Height - Seat "	Width - Seat "	Depth - Seat "	Height - Seat Back"	A= Width - Overall"	B= Depth - Overall"
53316-5-XXXX-WA	16"	17.1"	15.5"	16"	19.5"	21.9"
53318-5-XXXX-WA	18"	17.1"	15.5"	16"	19.5"	23.75"



MOORECO INC.
 2885 Lorraine Avenue | Temple, TX 76501
 p: 800.749.2258 | f: 866.888.7483
www.moorecoinc.com