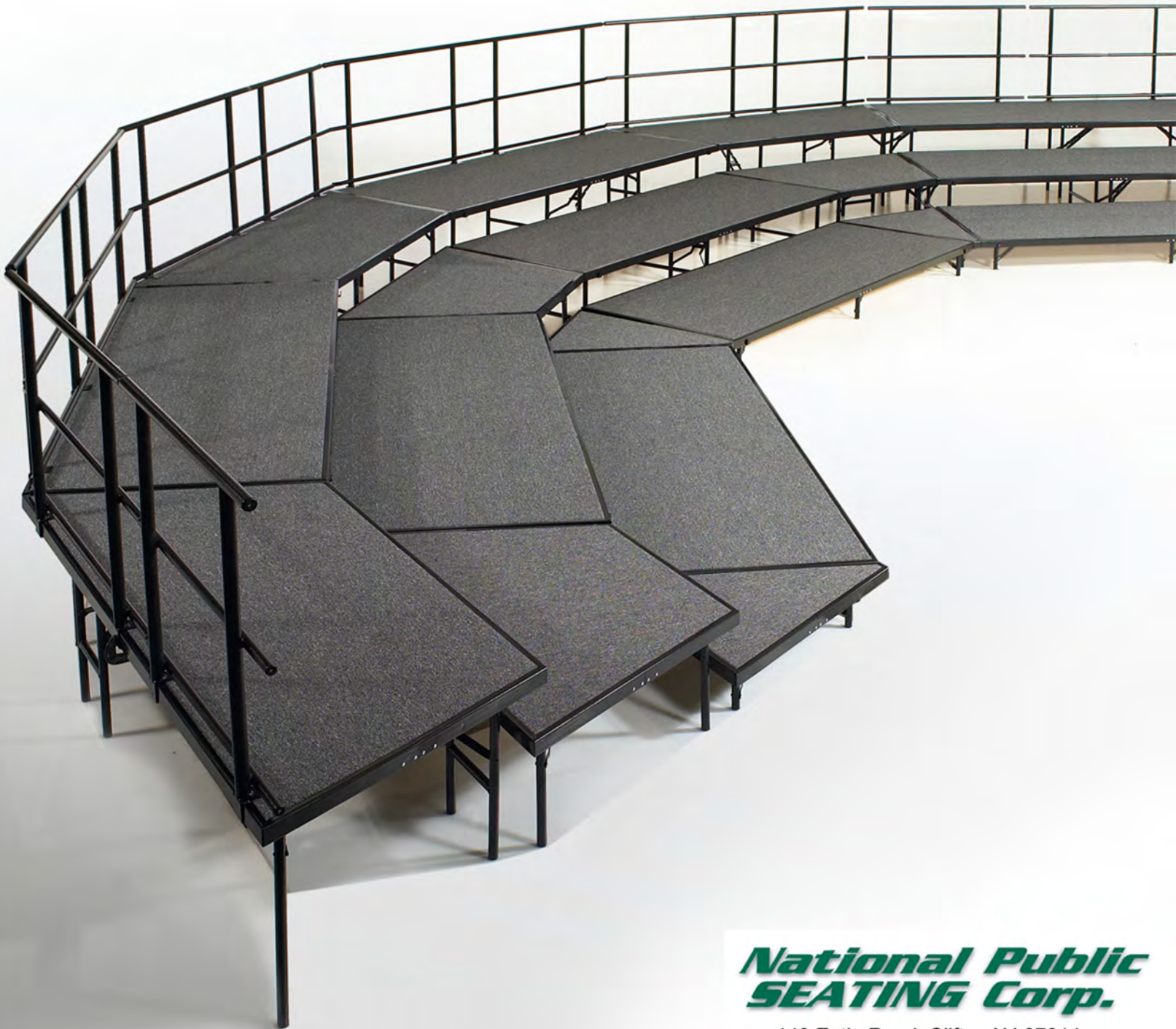


Setup Guide for:

- Stages
- Standing Choral Risers
- Seated Choral Risers
- Seated Band Risers



***National Public
SEATING Corp.***

149 Entin Road, Clifton NJ 07014
Tel 973-594-1100 | Fax 973-594-1500

General Information

Platform

Constructed with a ¾" thick solid plywood core, the riser is surfaced with one of the following:
Option 1: Carpet Option 2: 1/8" thick tempered hardboard. The edges of the platform are routed to allow the frame to fit flush with the top surface and cover the ends of the carpeting.

Frame

16 gauge, 1-13/16" high formed steel channel frame is reinforced with 16 gauge steel angle welded to the inside of the channel. The angle provides a continuous support to which the decking is secured with screws placed a maximum of 9" apart. The frame completely encloses the top, bottom and edges of the decking perimeter preventing the decking from becoming loose and damaged. All areas where frame parts are joined together are reinforced with steel plates attached with rivets.

Leg Structure

Each leg structure is constructed with 1.05" diameter, 14 gauge steel tubing capped at the point of floor contact with high impact plastic glides. The vertical load bearing members are joined at the top by full width, steel tube to provide maximum support to the stage deck. The top of each leg assembly folds open and closed, using 16 gauge steel saddle clips that are secured with at least four screws. Leg assemblies are braced by friction type braces, equipped with a spring locking device to secure the legs in the open and closed position. Braces are secured to the leg assembly with rivets and to the deck using 8 screws installed through the decking. Legs open and close using only one hand.

Ganging

Stages and risers are equipped with drop-in couplings that allow units of the same or different heights to be joined together. All ganging devices are permanently secured to each unit.

Finish

All metal parts are finished with a black thermofused epoxy powder coating.

Capacity

All metal parts are designed to carry a uniform live load of at least 200 lbs. per square foot.

Portability

Stages and risers are capable of being completely set-up and taken apart quickly, without the need for tools, by two people of average strength.

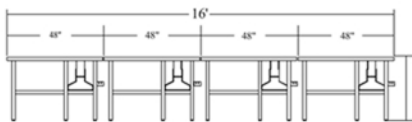
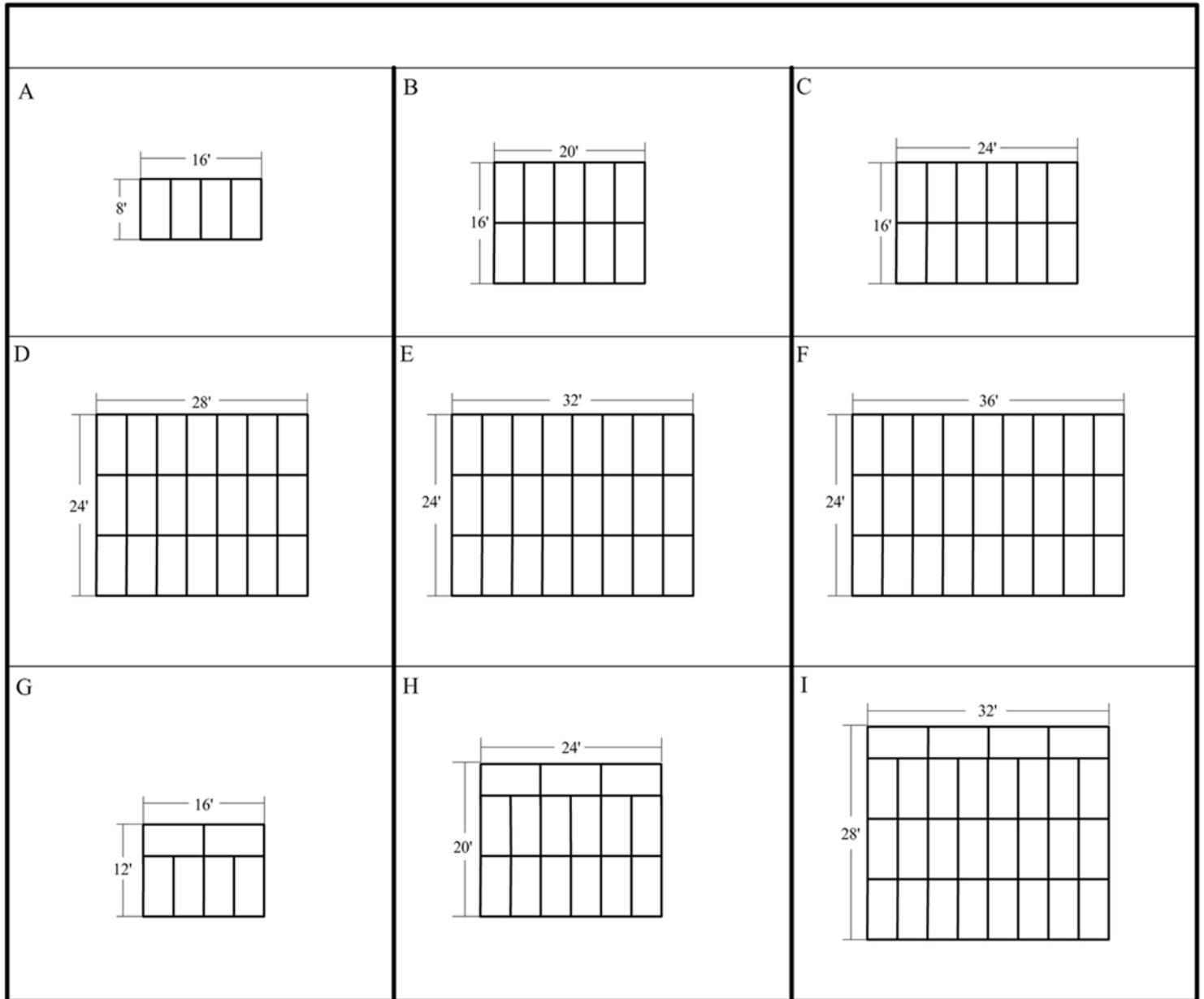
Warranty

Stages and risers are covered by a 10-year warranty.

Dimensions & Capacities

All dimensions and capacities shown in this booklet are estimated. Capacities may vary depending on the amount of space between chairs and the size of instruments.

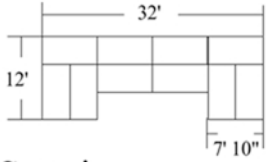
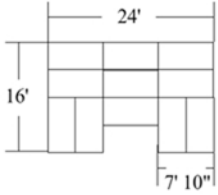
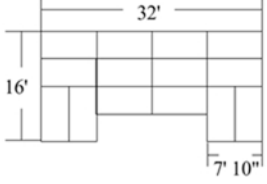
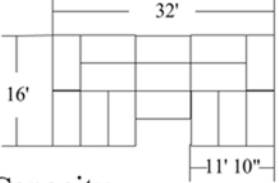
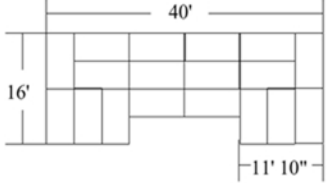
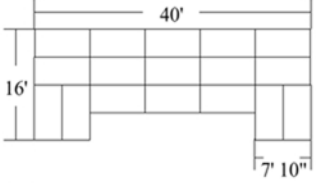
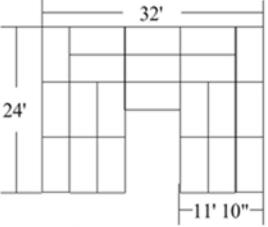
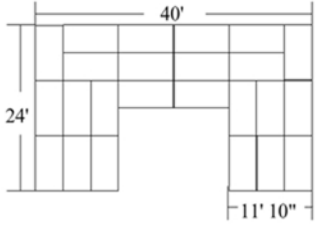
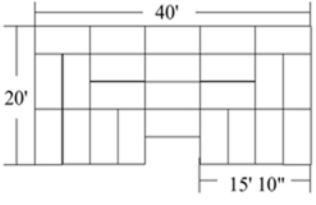
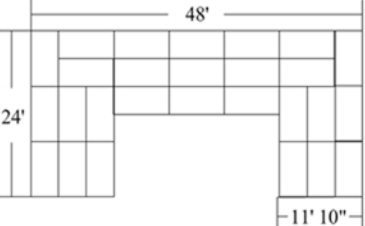
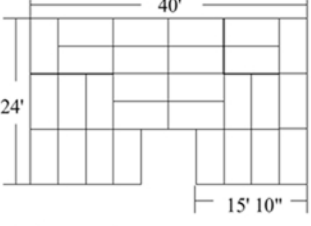
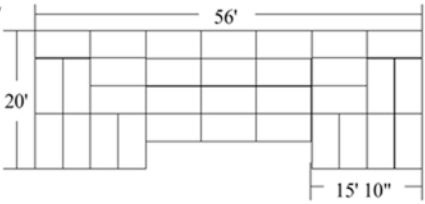
Stage Configurations

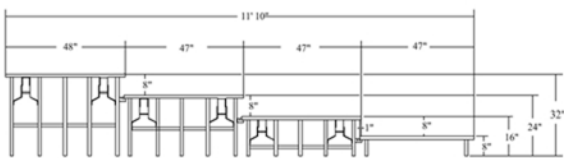


Single level using 48" Stages

Stage Configurations

Band Riser

<p>A</p>  <p>30-40 Capacity</p>	<p>B</p>  <p>33-44 Capacity</p>	<p>C</p>  <p>42-56 Capacity</p>
<p>D</p>  <p>45-60 Capacity</p>	<p>E</p>  <p>54-72 Capacity</p>	<p>F</p>  <p>51-68 Capacity</p>
<p>G</p>  <p>63-84 Capacity</p>	<p>H</p>  <p>72-96 Capacity</p>	<p>I</p>  <p>72-96 Capacity</p>
<p>J</p>  <p>81-108 Capacity</p>	<p>K</p>  <p>84-112 Capacity</p>	<p>L</p>  <p>96-128 Capacity</p>

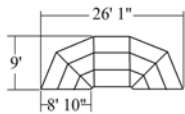
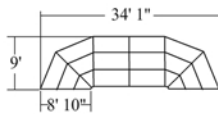
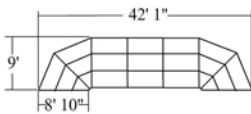
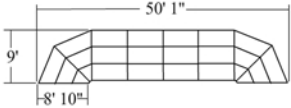
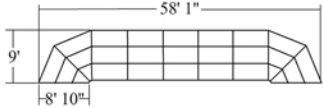
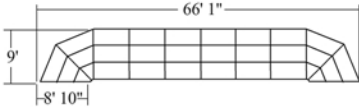


Capacities may vary depending on the amount of space between chairs and the size of instruments.

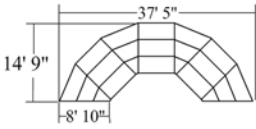
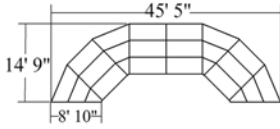
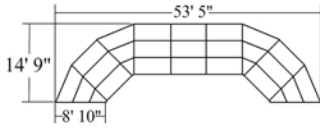
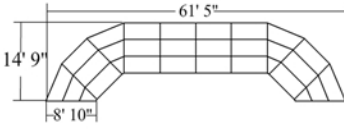
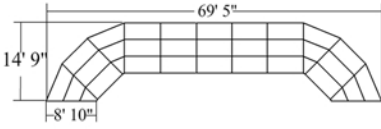
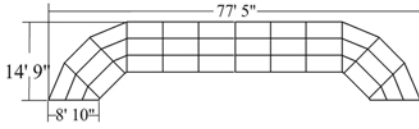
Elevation using 48" Stage

Seated Choral Riser Configurations

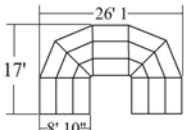
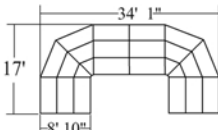
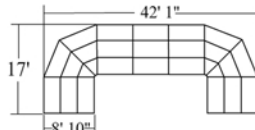
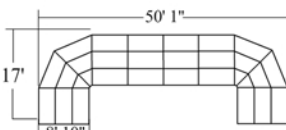
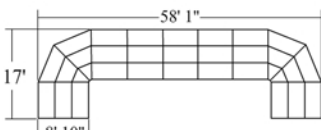
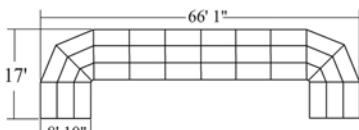
Bow Set-up

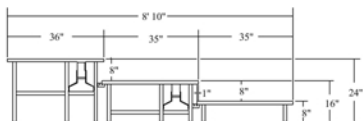
<p>A</p>  <p>33-36 Capacity</p>	<p>B</p>  <p>42-48 Capacity</p>	<p>C</p>  <p>51-60 Capacity</p>
<p>D</p>  <p>60-72 Capacity</p>	<p>E</p>  <p>69-84 Capacity</p>	<p>F</p>  <p>78-96 Capacity</p>

Ring Set-up

<p>A</p>  <p>51-60 Capacity</p>	<p>B</p>  <p>60-72 Capacity</p>	<p>C</p>  <p>69-84 Capacity</p>
<p>D</p>  <p>78-96 Capacity</p>	<p>E</p>  <p>87-108 Capacity</p>	<p>F</p>  <p>96-120 Capacity</p>

Oval Set-up

<p>A</p>  <p>51-60 Capacity</p>	<p>B</p>  <p>60-72 Capacity</p>	<p>C</p>  <p>69-84 Capacity</p>
<p>D</p>  <p>78-96 Capacity</p>	<p>E</p>  <p>87-108 Capacity</p>	<p>F</p>  <p>96-120 Capacity</p>

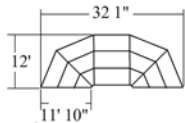
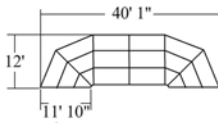
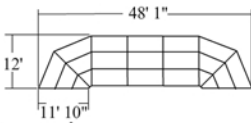
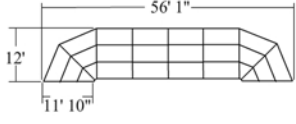
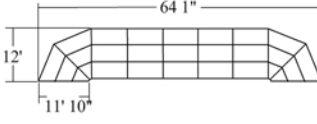
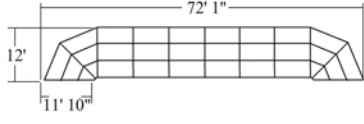


Elevation using 36" Risers

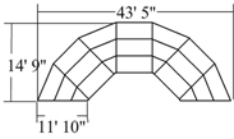
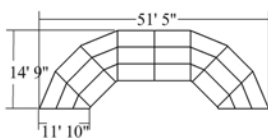
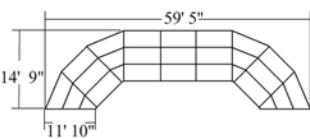
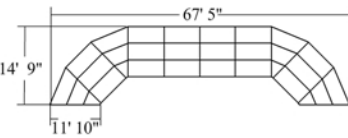
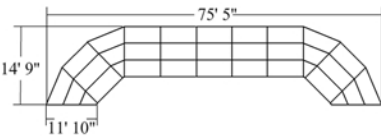
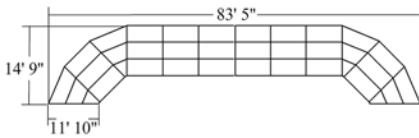
Capacity may vary depending on space between chairs.

Seated Band Riser Configurations

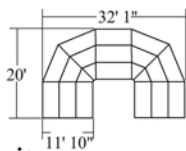
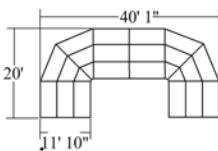
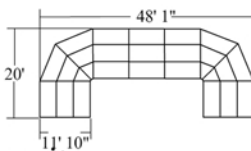
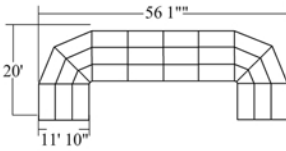
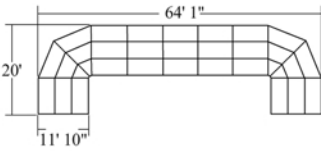
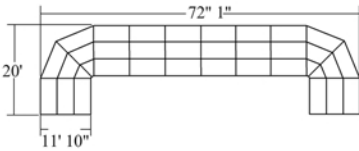
Bow Set-up

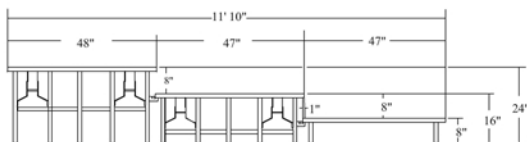
<p>A</p>  <p>33-36 Capacity</p>	<p>B</p>  <p>42-48 Capacity</p>	<p>C</p>  <p>51-60 Capacity</p>
<p>D</p>  <p>60-72 Capacity</p>	<p>E</p>  <p>69-84 Capacity</p>	<p>F</p>  <p>78-96 Capacity</p>

Ring Set-up

<p>A</p>  <p>51-60 Capacity</p>	<p>B</p>  <p>60-72 Capacity</p>	<p>C</p>  <p>69-84 Capacity</p>
<p>D</p>  <p>78-96 Capacity</p>	<p>E</p>  <p>87-108 Capacity</p>	<p>F</p>  <p>96-120 Capacity</p>

Oval Set-up

<p>A</p>  <p>51-60 Capacity</p>	<p>B</p>  <p>60-72 Capacity</p>	<p>C</p>  <p>69-84 Capacity</p>
<p>D</p>  <p>78-96 Capacity</p>	<p>E</p>  <p>87-108 Capacity</p>	<p>F</p>  <p>96-120 Capacity</p>



Elevation using 48" stages

Capacity may vary depending on space between chairs.



***National Public
SEATING Corp.***

149 Entin Road, Clifton NJ 07014
Tel 973-594-1100 | Fax 973-594-1500