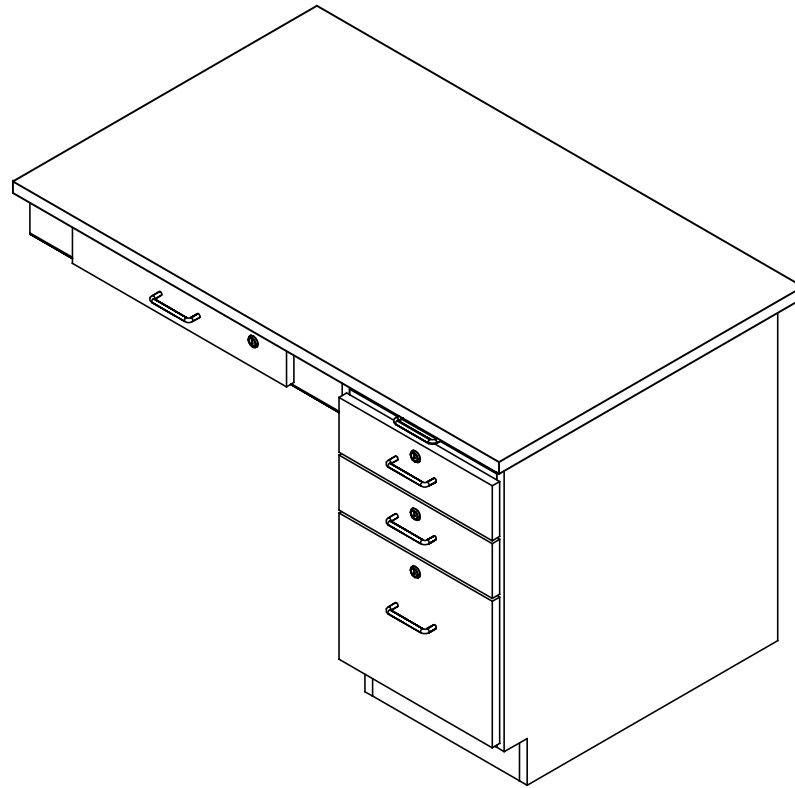


SIDE DESK

1144K & 1146K
ASSEMBLY INSTRUCTIONS



NOTE:

1. MODEL VIEWS MAY NOT REPRESENT EXACT MODEL PURCHASED

ALL DIMENSIONS ARE IN INCHES UNLESS NOTED OTHERWISE	DWN BY:	EMR	DATE DWN:	11/9/16
DECIMALS: $X = \pm .000$	APR BY:		DATE APR:	
$XX = \pm .020$	APR BY:		DATE APR:	
$XXX = \pm .010$	APR BY:		DATE APR:	
ANGLES: $= \pm 1^{\circ}0'$	APR BY:		DATE APR:	
CABINET SQUARENESS: $= \pm .0625$	APR BY:		DATE APR:	

CONFIDENTIAL:
ALL DESIGN RIGHTS RESERVED
THE INFORMATION, DATA, DESIGN, AND DRAWINGS EMBODIED IN THIS DOCUMENT AND ALL REPRODUCTIONS THEREOF ARE THE EXCLUSIVE PROPERTY OF DIVERSIFIED WOODCRAFTS, INC.

THESE DOCUMENTS ARE SUPPLIED WITH THE UNDERSTANDING THAT THEY WILL NOT BE DISCLOSED TO THIRD PARTIES WITHOUT WRITTEN CONSENT OF DIVERSIFIED WOODCRAFTS, INC. ANY REPRODUCTION IN PART OR WHOLE WITHOUT WRITTEN CONSENT IS SUBJECT TO LEGAL ACTION.



300 South Krueger Street
Suring, WI 54174
diversifiedwoodcrafts.com

TITLE:
**SIDE DESK
ASSEMBLY INSTRUCTIONS**

REV.	DESCRIPTION	DATE	NAME	ECN NO.
A	CREATED DRAWING	11/9/16	EMR	-
REVISION LEVEL				

DRAWING NUMBER:	SCALE:	SHEET:	REVISION:
1144K & 1146K	NTS	1 OF 9	REV A

TOOLS REQUIRED

CONTACT CEMENT
SCREW DRIVER
C-CLAMPS
SHIM STOCK (IF NEEDED)


ASSEMBLY COMPONENTS

ITEMS INCLUDED	PART #	PART DESCRIPTION	QTY
TOP	VARIES	TOP, (STYLE VARIES), 1.00X30X48,BLK	1
CABINET	N/A	16"W X 29"H X 27"D	1
BACK PANEL	N/A	31"W X 25"H X 0.75"D	1
APRON ASSEMBLY	N/A	APRON ASSEMBLY (FACTORY ASSEMBLED)	1
CLEATS	N/A	1"THK X 24.50"L X 0.75"D	2
SCREWS - CLEAT	100478	SCREW,#8X1 ¼ SQ. WASHER FLAT HEAD	15
L BRACKET	100355	BRACKET, RAIL 1.25X1.25X4.25	2
SCREWS - L BRACKET	100649	SCREW,#8X¾ PHIL TRUSS HEAD SMS	8
SILICONE	100711	SILICONE,SEALANT,CLEAR	1
RUBBER BASE MOLDING	100283	RUBBER BASE MOLDING (SOLD BY FOOT)	7
STAINLESS STEEL CORNERS	100057	CORNER-STAINLESS STEEL, BASE	4
SCREWS - BASE	100064	SCREW,#6X½ PTH SMS SS SCREW	16

NOTE:

- TOPS ARE EITHER PHENOLIC OR EPOXY.

ALL DIMENSIONS ARE IN INCHES UNLESS NOTED OTHERWISE DECIMALS: X = ± .000 XX = ± .020 XXX = ± .010 ANGLES: = ± 1° CABINET SQUARENESS: = ± .0625	DWN BY: EMR APR BY:	DATE DWN: 11/9/16 DATE APR:
CONFIDENTIAL: ALL DESIGN RIGHTS RESERVED THE INFORMATION, DATA, DESIGN, AND DRAWINGS EMBODIED IN THIS DOCUMENT AND ALL REPRODUCTIONS THEREOF ARE THE EXCLUSIVE PROPERTY OF DIVERSIFIED WOODCRAFTS, INC.	THESE DOCUMENTS ARE SUPPLIED WITH THE UNDERSTANDING THAT THEY WILL NOT BE DISCLOSED TO THIRD PARTIES WITHOUT WRITTEN CONSENT OF DIVERSIFIED WOODCRAFTS, INC. ANY REPRODUCTION IN PART OR WHOLE WITHOUT WRITTEN CONSENT IS SUBJECT TO LEGAL ACTION.	

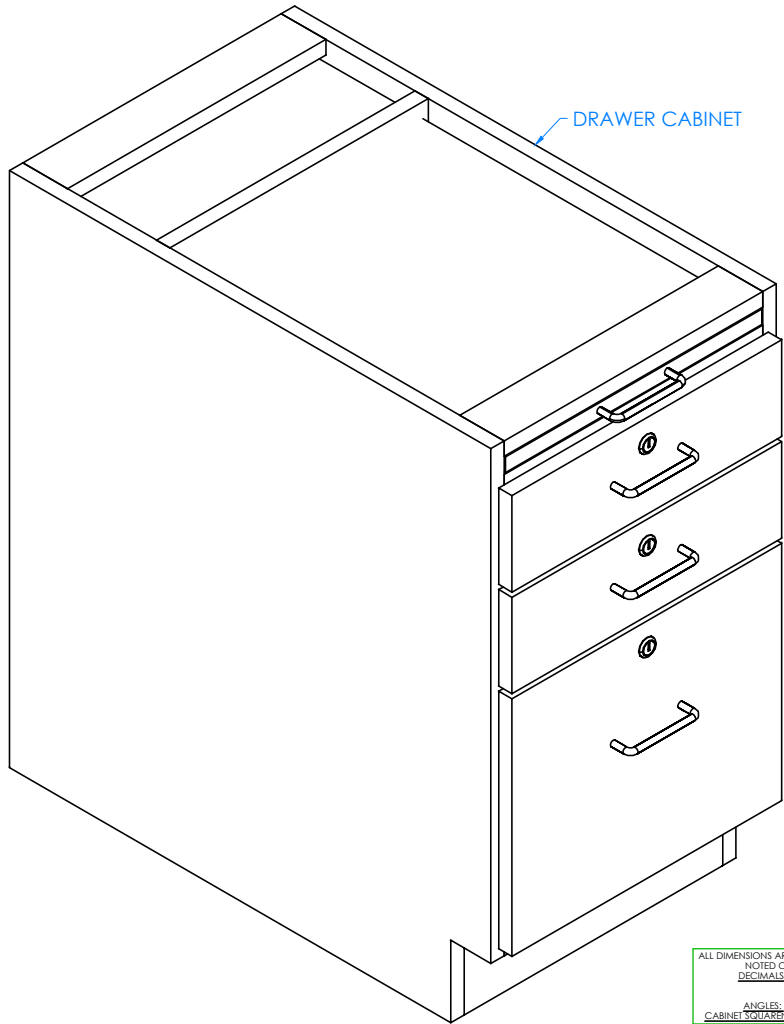


300 South Krueger Street
Suring, WI 54174
diversifiedwoodcrafts.com

TITLE:
**SIDE DESK
TOOLS AND ASSEMBLY COMPONENTS**

DRAWING NUMBER: 1144K & 1146K	SCALE: NTS	SHEET: 2 OF 9	REVISION: REV A
---	---------------	------------------	--------------------

REV.	DESCRIPTION	DATE	NAME	ECN NO.
A	CREATED DRAWING	11/9/16	EMR	-
REVISION LEVEL				



STEP 1:

- SET DRAWER CABINET ON SIDE OF EXISTING INSTRUCTOR'S DESK YOU WANT THE SIDE DESK TO BE ON.
- LEAVE ENOUGH SPACE IN BETWEEN CABINET AND INSTRUCTOR'S DESK FOR APRON ASSEMBLY AND BACK PANEL.
- SIDE DESK CAN BE ATTACHED TO EITHER SIDE OF AN INSTRUCTOR'S DESK.
- THESE INSTRUCTIONS SHOWN ARE FOR PLACEMENT ON RIGHT SIDE (MIRROR IMAGES FOR PLACEMENT ON LEFT SIDE).


NOTE:

1.

ALL DIMENSIONS ARE IN INCHES UNLESS NOTED OTHERWISE	DWN BY:	EMR	DATE DWN:	11/9/16
DECIMALS: $\frac{1}{16}$ = ± .000	APR BY:		DATE APR:	
$\frac{1}{32}$ = ± .020	APR BY:		DATE APR:	
$\frac{1}{64}$ = ± .010	APR BY:		DATE APR:	
ANGLES: = ± 1°0'	APR BY:		DATE APR:	
CABINET SQUARENESS: = ± .0625	APR BY:		DATE APR:	

CONFIDENTIAL:
 ALL DESIGN RIGHTS RESERVED
 THE INFORMATION, DATA, DESIGN, AND DRAWINGS EMBODIED IN THIS DOCUMENT AND ALL REPRODUCTIONS THEREOF ARE THE EXCLUSIVE PROPERTY OF DIVERSIFIED WOODCRAFTS, INC.

THESE DOCUMENTS ARE SUPPLIED WITH THE UNDERSTANDING THAT THEY WILL NOT BE DISCLOSED TO THIRD PARTIES WITHOUT WRITTEN CONSENT OF DIVERSIFIED WOODCRAFTS, INC. ANY REPRODUCTION IN PART OR WHOLE WITHOUT WRITTEN CONSENT IS SUBJECT TO LEGAL ACTION.

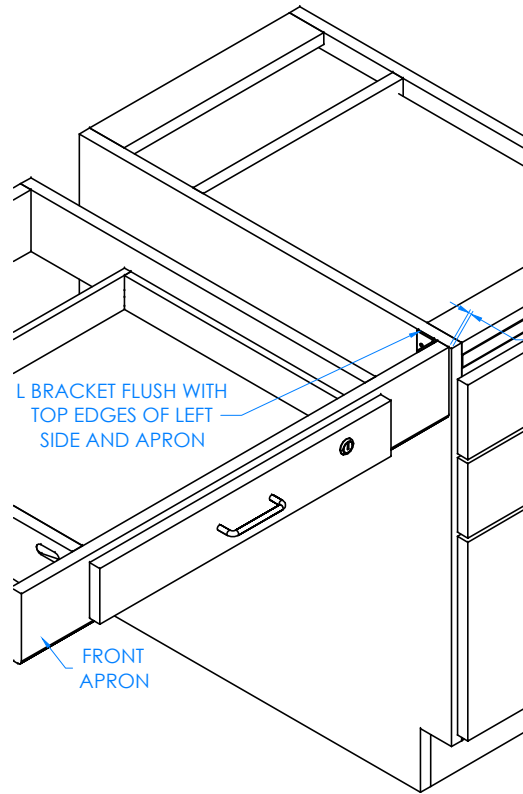
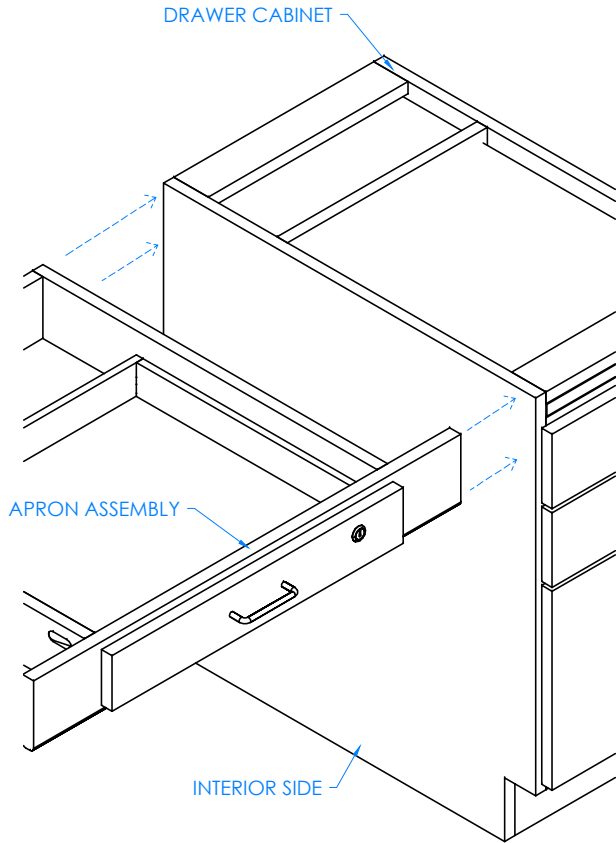


300 South Krueger Street
 Suring, WI 54174
 diversifiedwoodcrafts.com

TITLE:
**SIDE DESK
 ASSEMBLY INSTRUCTIONS**

REV.	DESCRIPTION	DATE	NAME	ECN NO.
A	CREATED DRAWING	11/9/16	EMR	-
REVISION LEVEL				

DRAWING NUMBER:	SCALE:	SHEET:	REVISION:
1144K & 1146K	NTS	3 OF 9	REV A



0.25"
DISTANCE FROM FRONT
EDGE OF LEFT SIDE TO
FRONT APRON

STEP 2:

- WITH HELP FROM ANOTHER PERSON, POSITION APRON ASSEMBLY UP TO INTERIOR SIDE OF DRAWER CABINET SO ITS POSITIONED CORRECTLY AND FLUSH WITH TOP EDGE OF DRAWER CABINET.
- POSITION L BRACKET IN CORRECT POSITION ON APRON ASSEMBLY AND INTERIOR SIDE OF CABINET (SHOULD BE FLUSH WITH TOP EDGES OF FRONT APRON AND LEFT SIDE).
- MARK ON THE SIDE OF CABINET WHERE THE L BRACKET NEEDS TO BE ATTACHED.
- REPEAT ON OTHER SIDE OF APRON ASSEMBLY TO EXISTING INSTRUCTOR'S DESK.
- SET APRON ASSEMBLY AND L BRACKETS DOWN.

CLOSE UP OF INTERIOR SIDE OF DRAWER CABINET AND APRON ASSEMBLY


NOTE:

1.

ALL DIMENSIONS ARE IN INCHES UNLESS NOTED OTHERWISE	DWN BY:	EMR	DATE DWN:	11/9/16
DECIMALS: .X = ± .030 .XX = ± .020 .XXX = ± .010	APR BY:		DATE APR:	
ANGLES: = ± 1°	APR BY:		DATE APR:	
CABINET SQUARENESS: = ± .0625				

CONFIDENTIAL:
ALL DESIGN RIGHTS RESERVED
THE INFORMATION, DATA, DESIGN, AND DRAWINGS EMBODIED IN THIS DOCUMENT AND ALL REPRODUCTIONS THEREOF ARE THE EXCLUSIVE PROPERTY OF DIVERSIFIED WOODCRAFTS, INC.

THESE DOCUMENTS ARE SUPPLIED WITH THE UNDERSTANDING THAT THEY WILL NOT BE DISCLOSED TO THIRD PARTIES WITHOUT WRITTEN CONSENT OF DIVERSIFIED WOODCRAFTS, INC. ANY REPRODUCTION IN PART OR WHOLE WITHOUT WRITTEN CONSENT IS SUBJECT TO LEGAL ACTION.

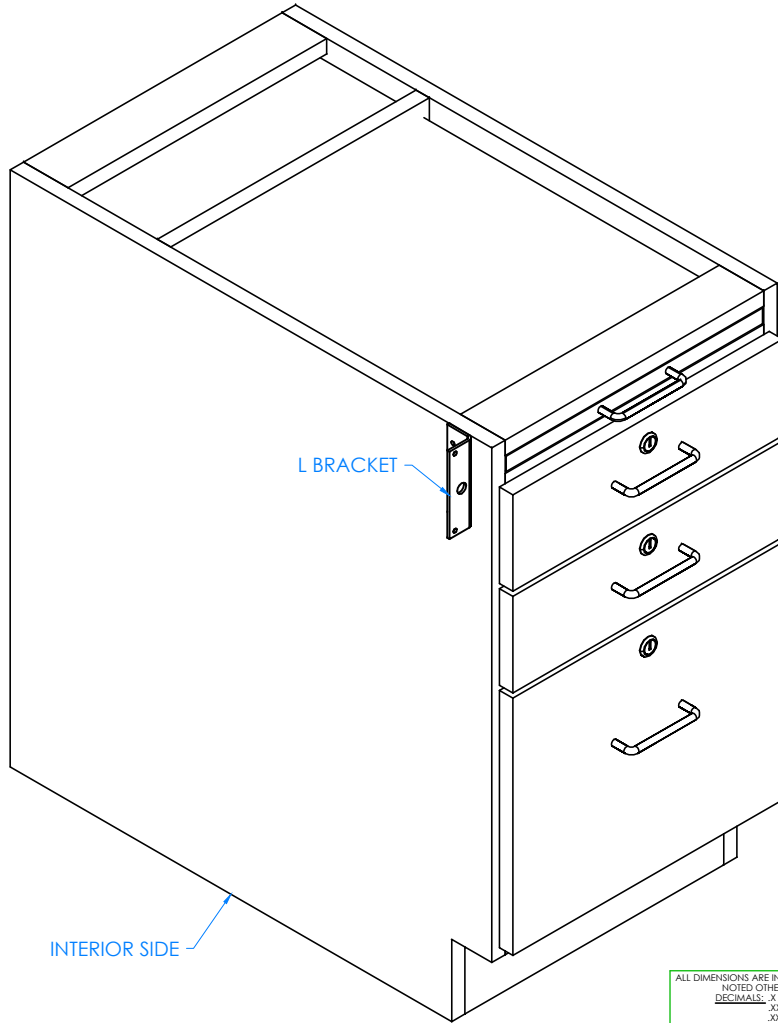


300 South Krueger Street
Suring, WI 54174
diversifiedwoodcrafts.com

TITLE:
SIDE DESK
ASSEMBLY INSTRUCTIONS

REV.	DESCRIPTION	DATE	NAME	ECN NO.
A	CREATED DRAWING	11/9/16	EMR	-
REVISION LEVEL				

DRAWING NUMBER:	SCALE:	SHEET:	REVISION:
1144K & 1146K	NTS	4 OF 9	REV A



STEP 3:

- ATTACH L BRACKETS TO INTERIOR SIDE OF CABINET AND TO EXISTING INSTRUCTORS DESK (NOT SHOWN) WITH HARDWARE PROVIDED.

NOTE:

1.

INTERIOR SIDE

CLOSE UP OF LEFT SIDE OF DRAWER CABINET

ALL DIMENSIONS ARE IN INCHES UNLESS NOTED OTHERWISE	DWN BY:	EMR	DATE DWN:	11/9/16
DECIMALS: X = ± .000	APR BY:		DATE APR:	
XX = ± .020	APR BY:		DATE APR:	
XXX = ± .010	APR BY:		DATE APR:	
ANGLES: = ± 1°	APR BY:		DATE APR:	
CABINET SQUARENESS: = ± .0625	APR BY:		DATE APR:	

CONFIDENTIAL:
ALL DESIGN RIGHTS RESERVED
THE INFORMATION, DATA, DESIGN, AND DRAWINGS EMBODIED IN THIS DOCUMENT AND ALL REPRODUCTIONS THEREOF ARE THE EXCLUSIVE PROPERTY OF DIVERSIFIED WOODCRAFTS, INC.

THESE DOCUMENTS ARE SUPPLIED WITH THE UNDERSTANDING THAT THEY WILL NOT BE DISCLOSED TO THIRD PARTIES WITHOUT WRITTEN CONSENT OF DIVERSIFIED WOODCRAFTS, INC. ANY REPRODUCTION IN PART OR WHOLE WITHOUT WRITTEN CONSENT IS SUBJECT TO LEGAL ACTION.

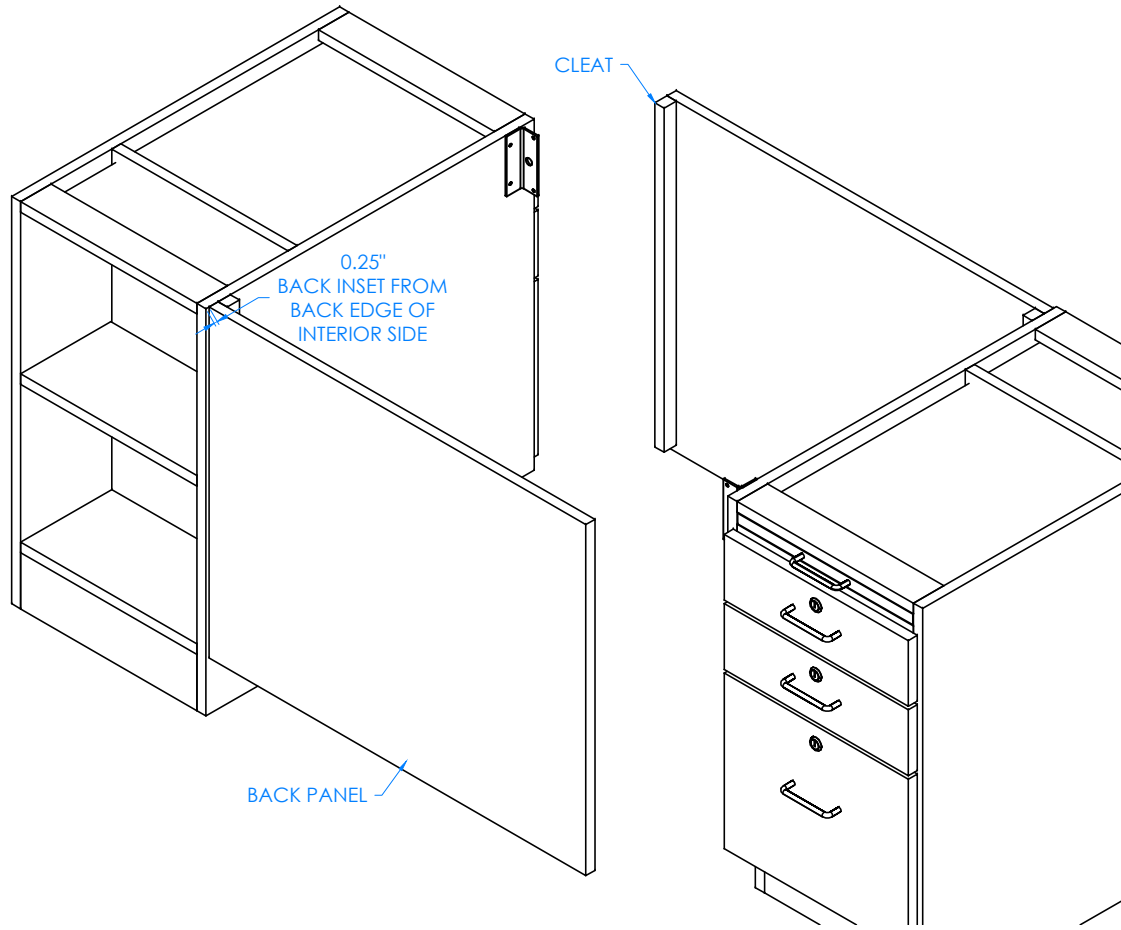


300 South Krueger Street
Suring, WI 54174
diversifiedwoodcrafts.com

TITLE:
SIDE DESK
ASSEMBLY INSTRUCTIONS

REV.	DESCRIPTION	DATE	NAME	ECN NO.
A	CREATED DRAWING	11/9/16	EMR	-
REVISION LEVEL				

DRAWING NUMBER:	SCALE:	SHEET:	REVISION:
1144K & 1146K	NTS	5 OF 9	REV A



STEP 4:

- WITH HELP FROM ANOTHER PERSON, POSITION BACK PANEL ONTO BACK OF SIDE DESK AND INSTRUCTOR'S DESK.
- BACK SHOULD BE INSET $\frac{1}{4}$ " FROM BACK EDGE OF LEFT SIDE FOR BEST FIT.
- TOP EDGE OF BACK PANEL SHOULD BE FLUSH WITH TOP EDGE OF CABINET.
- POSITION CLEATS IN CORRECT LOCATION ON BOTH CORNERS OF BACK PANEL.
- MARK ON THE SIDES OF DRAWER CABINET AND INSTRUCTORS DESK WHERE THE CLEATS NEED TO BE.
- SET BACK PANEL DOWN.
- PRE-DRILL HOLES IN CLEATS TO PREVENT CRACKING.
- ATTACH CLEATS TO CABINET AND INSTRUCTOR'S DESK FIRST WITH HARDWARE PROVIDED.
- PLACE BACK PANEL BACK ONTO CLEATS AND ATTACH TO CLEATS FROM INSIDE OF SIDE DESK.

NOTE:

1.

BACK OF INSTRUCTOR'S DESK

FRONT OF INSTRUCTOR'S DESK

ALL DIMENSIONS ARE IN INCHES UNLESS NOTED OTHERWISE	DWN BY:	EMR	DATE DWN:	11/9/16
DECIMALS: $\frac{1}{16}$ = ± .000	APR BY:		DATE APR:	
$\frac{1}{32}$ = ± .020	APR BY:		DATE APR:	
$\frac{1}{64}$ = ± .010	APR BY:		DATE APR:	
ANGLES: = ± 1°0'				
CABINET SQUARENESS: = ± .0625				

CONFIDENTIAL:
ALL DESIGN RIGHTS RESERVED
THE INFORMATION, DATA, DESIGN, AND DRAWINGS EMBODIED IN THIS DOCUMENT AND ALL REPRODUCTIONS THEREOF ARE THE EXCLUSIVE PROPERTY OF DIVERSIFIED WOODCRAFTS, INC.

THESE DOCUMENTS ARE SUPPLIED WITH THE UNDERSTANDING THAT THEY WILL NOT BE DISCLOSED TO THIRD PARTIES WITHOUT WRITTEN CONSENT OF DIVERSIFIED WOODCRAFTS, INC. ANY REPRODUCTION IN PART OR WHOLE WITHOUT WRITTEN CONSENT IS SUBJECT TO LEGAL ACTION.



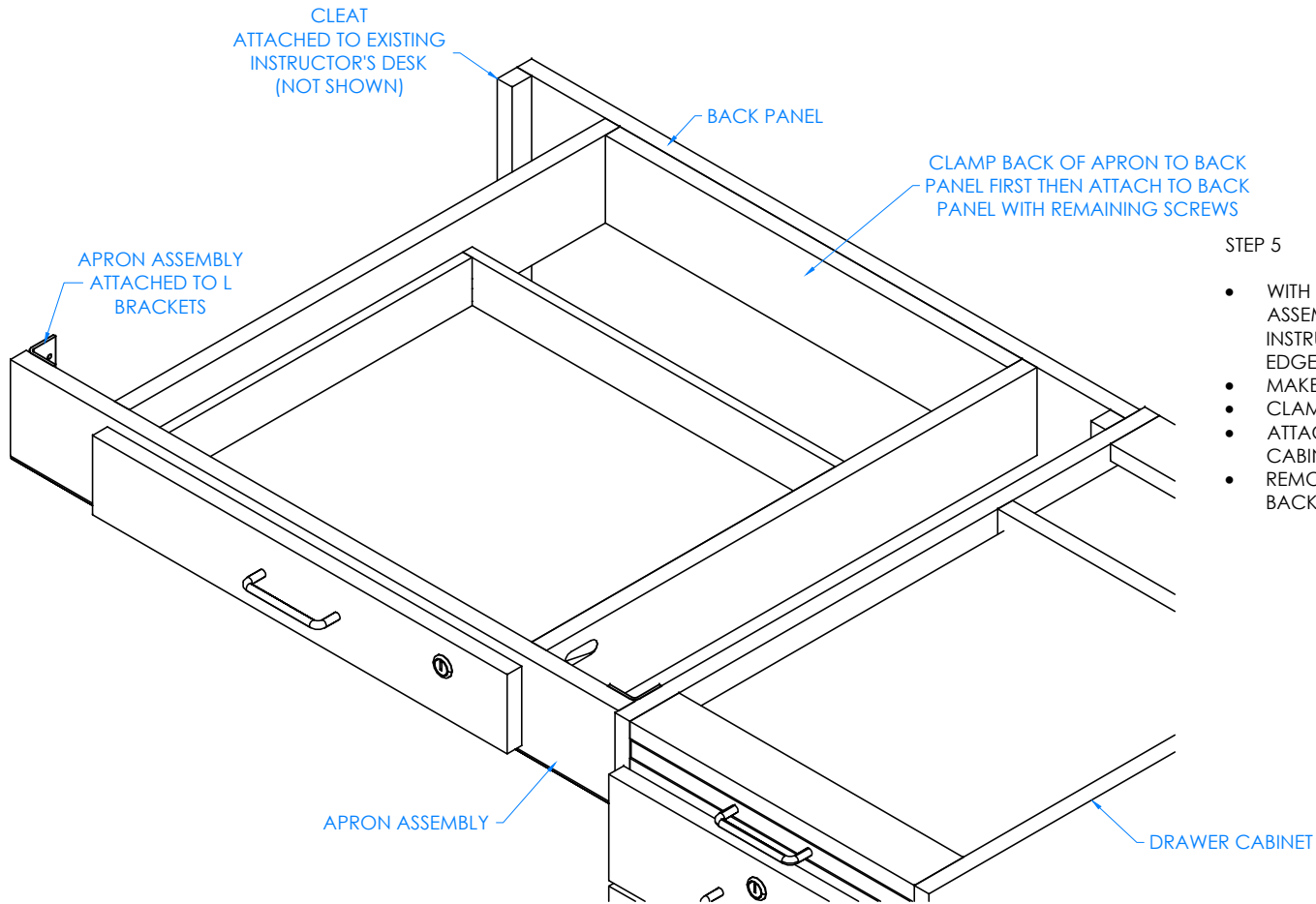
300 South Krueger Street
Suring, WI 54174
diversifiedwoodcrafts.com

TITLE:
SIDE DESK
ASSEMBLY INSTRUCTIONS

REV.	DESCRIPTION	DATE	NAME	ECN NO.
A	CREATED DRAWING	11/9/16	EMR	-

REVISION LEVEL

DRAWING NUMBER:	SCALE:	SHEET:	REVISION:
1144K & 1146K	NTS	6 OF 9	REV A



STEP 5

- WITH HELP FROM ANOTHER PERSON, POSITION APRON ASSEMBLY IN BETWEEN DRAWER CABINET AND INSTRUCTOR'S DESK SO TOP EDGES ARE FLUSH WITH TOP EDGE OF CABINET.
- MAKE SURE SIDE DESK IS LEVEL TO INSTRUCTOR'S DESK.
- CLAMP BACK OF APRON ASSEMBLY ONTO BACK PANEL.
- ATTACH FRONT APRON TO L BRACKETS ON SIDE OF CABINET AND EXISTING INSTRUCTOR'S DESK.
- REMOVE CLAMPS AND ATTACH APRON ASSEMBLY TO BACK PANEL WITH REMAINING SCREWS PROVIDED.


NOTE:

1.

ALL DIMENSIONS ARE IN INCHES UNLESS NOTED OTHERWISE	DWN BY:	EMR	DATE DWN:	11/9/16
DECIMALS: $\times = \pm .000$	APR BY:		DATE APR:	
XX = $\pm .020$	APR BY:		DATE APR:	
XXX = $\pm .010$	APR BY:		DATE APR:	
ANGLES: $= \pm 1^{\circ}0'$	APR BY:		DATE APR:	
CABINET SQUARENESS: $= \pm .0625$	APR BY:		DATE APR:	

CONFIDENTIAL:
 ALL DESIGN RIGHTS RESERVED
 THE INFORMATION, DATA, DESIGN, AND DRAWINGS EMBODIED IN THIS DOCUMENT AND ALL REPRODUCTIONS THEREOF ARE THE EXCLUSIVE PROPERTY OF DIVERSIFIED WOODCRAFTS, INC.

THESE DOCUMENTS ARE SUPPLIED WITH THE UNDERSTANDING THAT THEY WILL NOT BE DISCLOSED TO THIRD PARTIES WITHOUT WRITTEN CONSENT OF DIVERSIFIED WOODCRAFTS, INC. ANY REPRODUCTION IN PART OR WHOLE WITHOUT WRITTEN CONSENT IS SUBJECT TO LEGAL ACTION.

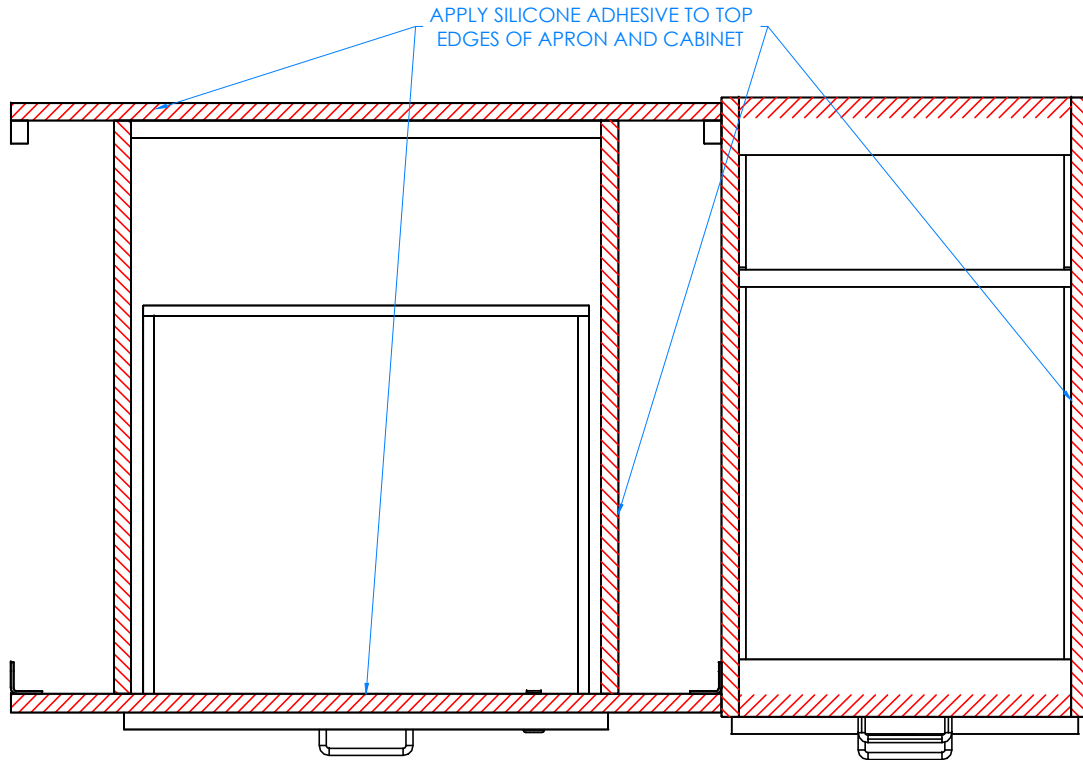


300 South Krueger Street
 Suring, WI 54174
 diversifiedwoodcrafts.com

TITLE:
**SIDE DESK
 ASSEMBLY INSTRUCTIONS**

REV.	DESCRIPTION	DATE	NAME	ECN NO.
A	CREATED DRAWING	11/9/16	EMR	-
REVISION LEVEL				

DRAWING NUMBER:	SCALE:	SHEET:	REVISION:
1144K & 1146K	NTS	7 OF 9	REV A



STEP 6:

- APPLY SILICONE ADHESIVE TO TOP EDGES OF CABINET, APRON, AND BACK PANEL.
- PLACE TOP ON UNIT WITH PROPER OVERHANG (FLUSH TO INSTRUCTOR'S DESK AND CENTERED FRONT AND BACK).
- CLAMP ON TOP TO TOP RAILS OF CABINET AND APRON TO REMOVE ANY WARP USING SHIMS AND C-CLAMPS, IF NEEDED, WHEN ALIGNING THE TOP (DO THIS BEFORE ADHESIVE SETS UP).
- LET CURE FOR 6-12 HOURS.

NOTE:

1.

TOP VIEW OF INSTRUCTOR'S DESK

ALL DIMENSIONS ARE IN INCHES UNLESS NOTED OTHERWISE	DWN BY:	EMR	DATE DWN:	11/9/16
DECIMALS: $\frac{1}{16}$ = ± .0625	APR BY:		DATE APR:	
XX = ± .020	APR BY:		DATE APR:	
XXX = ± .010	APR BY:		DATE APR:	
ANGLES: = ± 1°	APR BY:		DATE APR:	
CABINET SQUARENESS: = ± .0625	APR BY:		DATE APR:	

CONFIDENTIAL:
 ALL DESIGN RIGHTS RESERVED
 THE INFORMATION, DATA, DESIGN, AND DRAWINGS EMBODIED IN THIS DOCUMENT AND ALL REPRODUCTIONS THEREOF ARE THE EXCLUSIVE PROPERTY OF DIVERSIFIED WOODCRAFTS, INC.

THESE DOCUMENTS ARE SUPPLIED WITH THE UNDERSTANDING THAT THEY WILL NOT BE DISCLOSED TO THIRD PARTIES WITHOUT WRITTEN CONSENT OF DIVERSIFIED WOODCRAFTS, INC. ANY REPRODUCTION IN PART OR WHOLE WITHOUT WRITTEN CONSENT IS SUBJECT TO LEGAL ACTION.

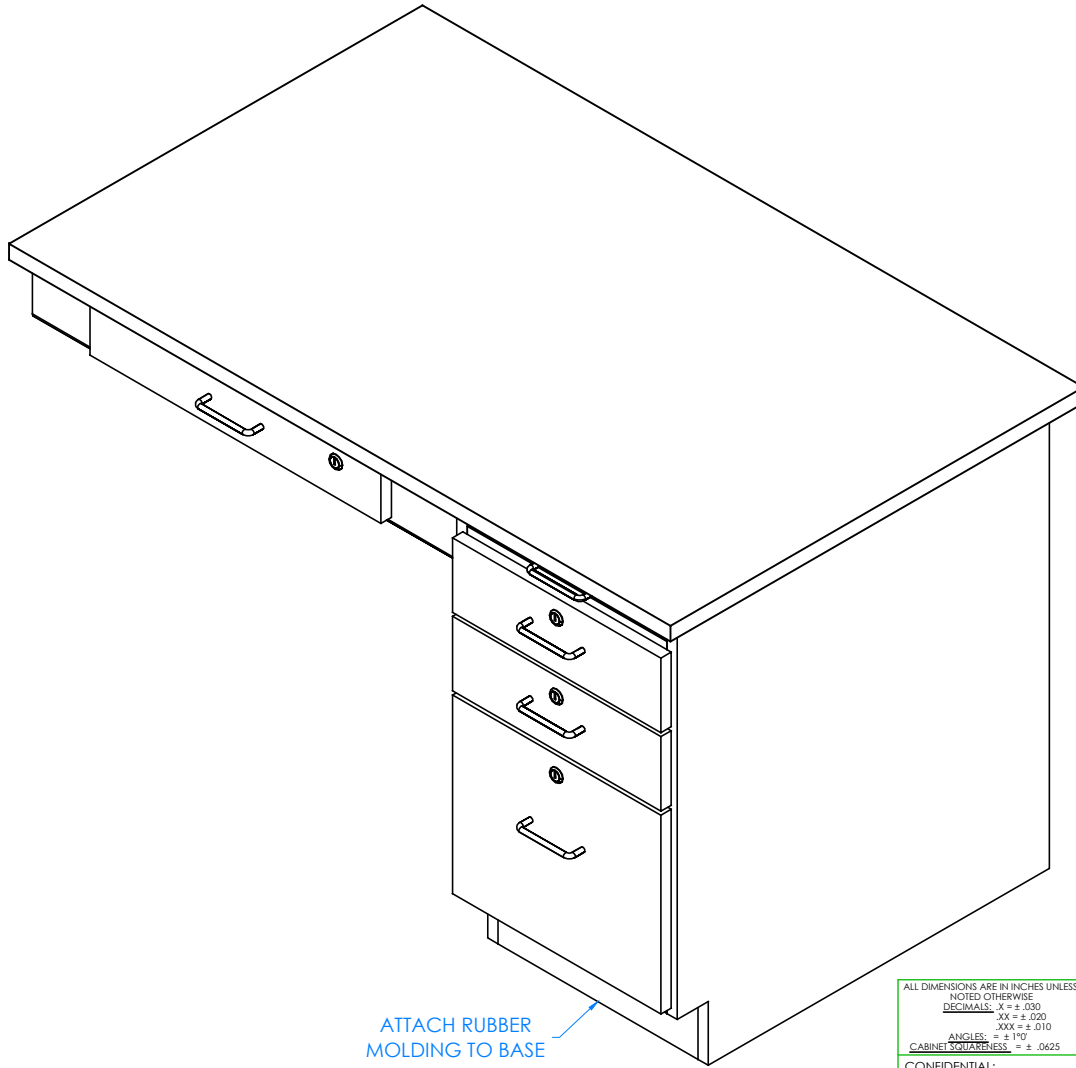


300 South Krueger Street
 Suring, WI 54174
 diversifiedwoodcrafts.com

TITLE:
 SIDE DESK
 ASSEMBLY INSTRUCTIONS

REV.	DESCRIPTION	DATE	NAME	ECN NO.
A	CREATED DRAWING	11/9/16	EMR	-
REVISION LEVEL				

DRAWING NUMBER:	SCALE:	SHEET:	REVISION:
1144K & 1146K	NTS	8 OF 9	REV A



STEP 7:

- ATTACH RUBBER MOLDING TO BASE OF INSTRUCTOR'S DESK USING CONTACT CEMENT.
- SCREW STAINLESS STEEL CORNER BRACKETS ON EACH CORNER OVER BASE MOLDING WITH HARDWARE PROVIDED.

NOTE:

1.

ATTACH RUBBER MOLDING TO BASE

COMPLETE UNIT SHOWN

ALL DIMENSIONS ARE IN INCHES UNLESS NOTED OTHERWISE			
DECIMALS:	X = ± .000	DWN BY:	EMR
	XX = ± .020	DATE DWN:	11/9/16
	XXX = ± .010	APR BY:	
ANGLES:	= ± 1°0'	DATE APR:	
CABINET SQUARENESS:	= ± .0625	APR BY:	

CONFIDENTIAL:
 ALL DESIGN RIGHTS RESERVED
 THE INFORMATION, DATA, DESIGN, AND DRAWINGS EMBODIED IN THIS DOCUMENT AND ALL REPRODUCTIONS THEREOF ARE THE EXCLUSIVE PROPERTY OF DIVERSIFIED WOODCRAFTS, INC.

THESE DOCUMENTS ARE SUPPLIED WITH THE UNDERSTANDING THAT THEY WILL NOT BE DISCLOSED TO THIRD PARTIES WITHOUT WRITTEN CONSENT OF DIVERSIFIED WOODCRAFTS, INC. ANY REPRODUCTION IN PART OR WHOLE WITHOUT WRITTEN CONSENT IS SUBJECT TO LEGAL ACTION.



300 South Krueger Street
 Suring, WI 54174
 diversifiedwoodcrafts.com

TITLE:
**SIDE DESK
 ASSEMBLY INSTRUCTIONS**

REV.	DESCRIPTION	DATE	NAME	ECN NO.
A	CREATED DRAWING	11/9/16	EMR	-
REVISION LEVEL				

DRAWING NUMBER:	SCALE:	SHEET:	REVISION:
1144K & 1146K	NTS	9 OF 9	REV A