

STRAZZARI

ELLIPTIC ROTOR PUMPS

The elliptical rotor pumps for grapes and marc are produced by STRAZZARI, in a wide range of models: G6, G8 and G7.

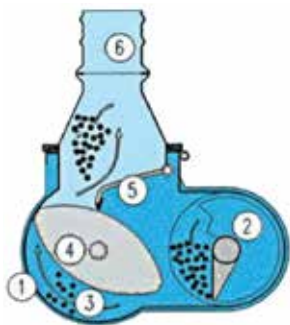
The elliptical rotor pumps, also called ogive/olive/volumetric pumps, PATENTED since 1980 by STRAZZARI, offer a high level of strength and reliability; they act by pressure and not by centrifugal force, ensuring the best treatment of the pumped product.

In addition to their use in the **wine sector**, for whole and de-stemmed grapes and **fermented marc**, they are ideal in the **agri-food sector** for the transportation of apples, oranges, fruit, meat, olives, olive pomace, prickly pear figs, dates and semi-solid products with high fluidity.

Pump body in various sizes applicable on 220/300/400 Ø auger. Complete with reclining stainless steel conveying hopper for reduced height.

On request:

- Hoppers in various sizes.
- Speed variator.
- Grape presser.
- Swan-neck.
- Compression tank.
- Flexible pipes.
- Rigid pipes.
- Stainless steel pipes.
- Various fittings.



The monobloc unit (1) is entirely constructed of A/SI 304 stainless steel. The product is conveyed by an auger (2) into the pump (3) where the action of a stainless steel elliptic rotor (4), by means of a separating valve (5), pushes it into the outlet pipe (6).



G6-220 Pump Trolley for Grapes



G6-150S Pump Trolley for Grapes & Marc



G6-150 Pump Trolley for Grapes & Marc

G6-G8 Elliptic Rotor Pump (patented).

Reclinable Stainless Steel hopper for reduced height, complete with stainless steel auger protection grille.

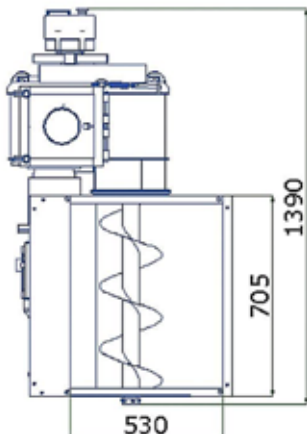
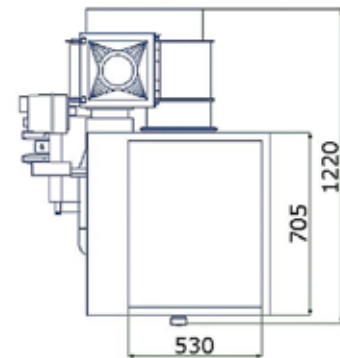
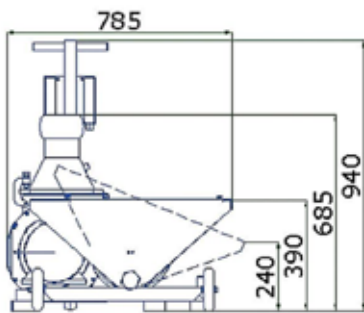
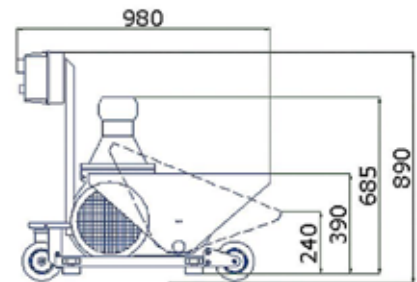
Hinged Stainless Steel Discharge Cone, openable for inspection of the entire pump interior, 100/120 Ø Stainless Steel ball or Garolla fitting.

Longitudinal or **Transverse** Stainless Steel Trolley on wheels for transfer within the cellar, and Stainless Steel frame fitted with a device to stand it on the ground on four vibration damping feet.



Transverse

Longitudinal





Technical Data

	G6 150S	G6 150	T6 220	G8
Hourly production (Grapes)	14 ton/H	14 ton/H	20 ton/H	25 ton/H
Electric motor power	Kw4	Kw4 - 5,5 - 7,5	Kw4 - 5,5 - 7,5	Kw4 - 5,5 - 7,5
Unloading height (Grapes)	5m	5, 8, 10m	4, 7, 9m	4, 6, 8m
Unloading distance (Grapes)	30mt	30, 40, 55mt	25, 35, 45mt	20, 30, 40mt
Stainless steel rotor	Ø 300x150	Ø 300x150	Ø 300x220	Ø 300x220
Hopper auger	Ø 180mm	Ø 220mm	Ø 220mm	Ø 220mm
Pump rotation speed	47/58 giri min. r.p.m.	47/58 giri min. r.p.m.	47/58 giri min. r.p.m.	77 giri min. r.p.m.
Pump discharge outlet	Ø 100/120	Ø 100/120	Ø 100/120	Ø 100/120
Weight	150kg	195/210/220kg	195/210/220kg	195/210/220kg
Hopper	Not reclinable	Reclinable	Reclinable	Reclinable
Discharge Cone	Bolted	Hinged	Hinged	Hinged

G8 Pump Trolley

For the transfer of grapes and marcs and semi-solid products. Ideal for whole and de-stemmed grapes.

- Suitable for very wide passages 300x200.
- Hourly production of 250 ql/hour.
- with a low number of revolutions.



It acts by pressure and not by centrifugal force. This ensures the best possible treatment of the pumped product avoiding breaking of the stalks and crushing of the skins and grape pips.

Reclinable Stainless Steel Hopper to obtain smaller height dimensions, and is complete with Stainless Steel auger protection grid.

Stainless Steel openable Cone with hinges for inspection of the entire internal pump. Stainless Steel ball or Garolla joint Ø 100 -120.

Stainless Steel Longitudinal or Transversal wagon on wheels for transfer in the company and Stainless Steel frame with ground support device on four anti-vibration feet.

Geared motor upon choice in the powers HP 5,5/7,5/10 for a maximum head of 8/10m in height or 40/50 of distance.

Pump body of different sizes applicable on auger Ø 220 - 300 - 400.

Upon request: Hoppers of various sizes, Speed variator, Swan neck, Compression tank, Stainless steel piping.