

Tanner Sofa & Modular

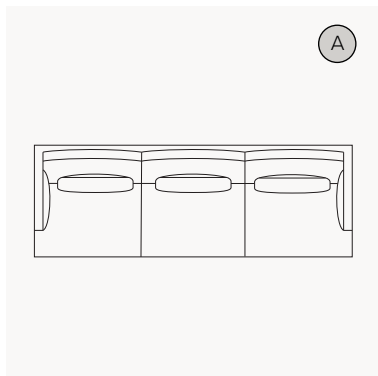
BOYD
blue



The Tanner design raises the benchmark in contemporary style and luxury.

Resting on elegant black nickel legs this design features timeless simplicity, refined lines and subtle curves. Designed and manufactured in Australia, this collection showcases the highest calibre of quality craftsmanship coupled with distinct design.

- Australian made
- Steel sprung suspension seats
- Feather/fibre back and 100% feather scatter cushions
- Premium foam seat core cushions with fibre wrap
- Supplied with seat, back and scatter cushions.



A

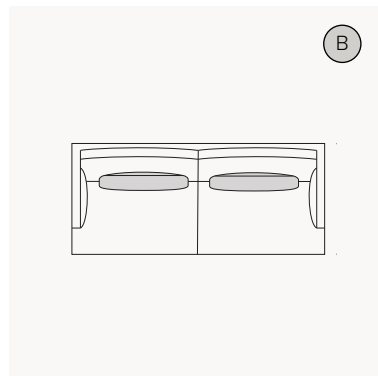
3.5 Seater

2560 W x 850 H x 990 D mm

111239-F

Deep seat - 1080 D mm

111250-F



B

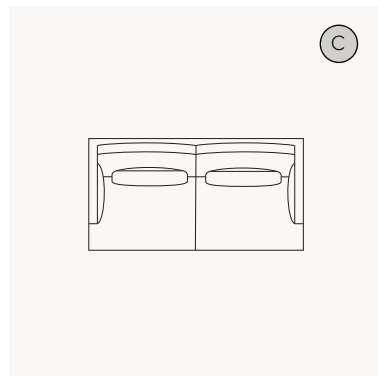
3 Seater

2080 W x 850 H x 990 D mm

111238-F

Deep seat - 1080 D mm

111249-F



C

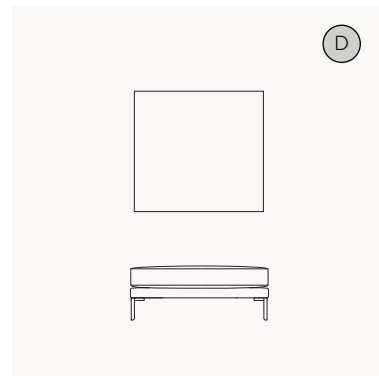
2.5 Seater

1780 W x 850 H x 990 D mm

111237-F

Deep seat - 1080 D mm

111248-F

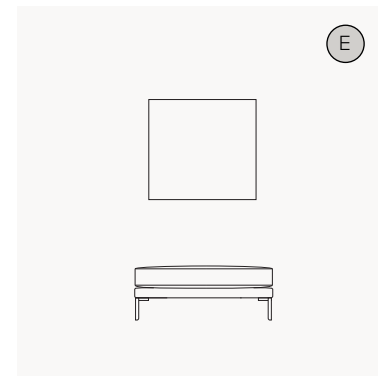


D

Ottoman Large

1040 W x 1040 D x 390 H mm

111242-F

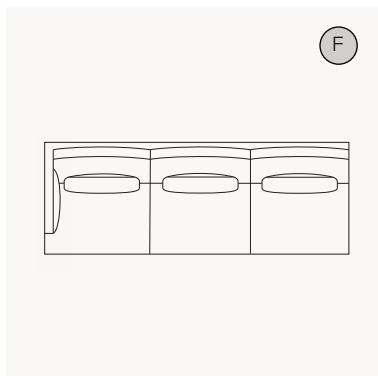


E

Ottoman Medium

890 W x 890 D x 390 H mm

111241-F



F

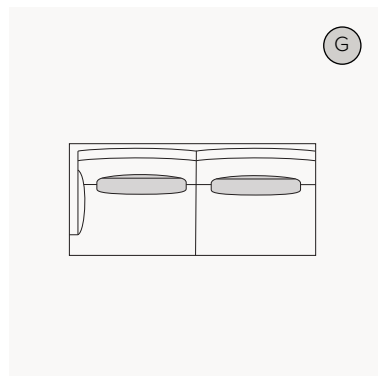
3.5 Seater 1 Arm LHF or RHF

2450 W x 850 H x 990 D mm

111245-F

Deep seat - 1080 D mm

111255-F



G

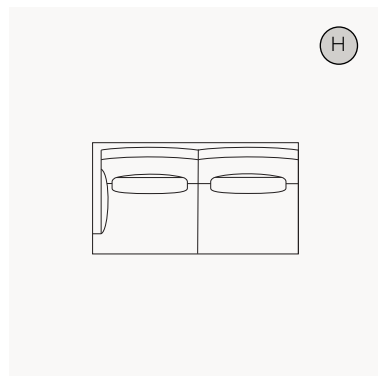
3 Seater 1 Arm LHF or RHF

1970 W x 850 H x 990 D mm

111244-F

Deep seat - 1080 D mm

111254-F



H

2.5 Seater 1 Arm LHF or RHF

1670 W x 850 H x 990 D mm

111243-F

Deep seat - 1080 D mm

111253-F



I

Large Chaise LHF or RHF

1040 W x 850 H x 1550 D mm

111247-F



J

Medium Chaise LHF or RHF

890 W x 850 H x 1550 D mm

111246-F

Example Configurations

