

FLAT LED PROJECTOR FOR SWIMMING POOL – COLOR LIGHTING



Model : **502877**
 Type : 90 LED 3528 / 120°
 Color : 30R, 30G, 30B
 Control : On/Off and 433Mhz radio remote
 Functions : 11 static colors et 5 programs
 Material : Fixture and lens in polycarbonate (PC), ring in ASA
 1,5" thread to screw in vacuum fitting
 Wire connection : 2 screw terminals
 2 meters HO7RNF wire 2x1,5mm²
 HS code : 9405403990
 Bar code : 3700450502877

Contents of the packaging :

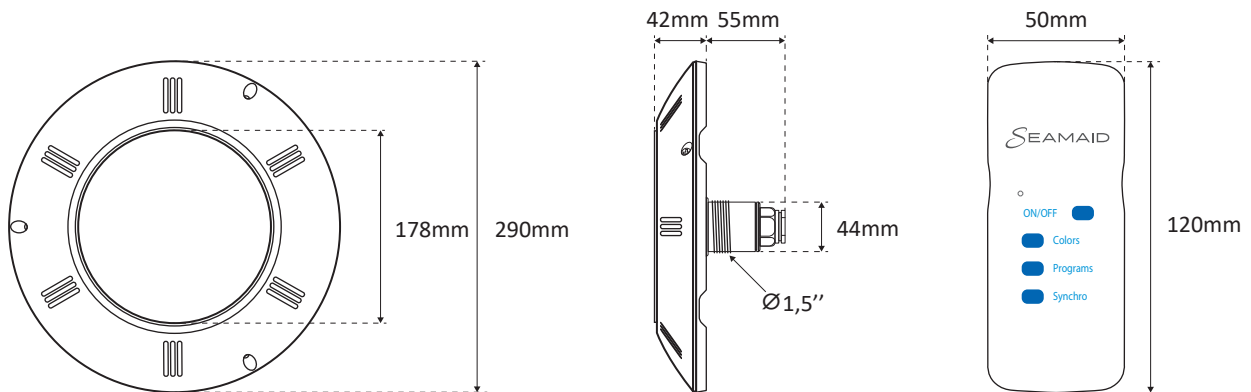
- Flat LED Projector
- 1 white crown (#501672)
- 2 heat shrinkable connectors (#501696)
- 2 gaskets (#501917)
- 1 HO7RNF cable 2x1,5mm² (#500903)
- Inground pool installation kit (#501368)
- 5 nylon screws (PA) (#501900)
- Radio remote (#502686)
- 1 CR2032 battery (#501832)
- Usage and maintenance manual

Option :

- Above ground pool installation kit (#501009)



DIMENSIONS



PACKING

Part Number	Box	Weight	Size	Carton	Weight	Size	Pallet	Weight	Size
502877	1U	1,7kg	30x30x11,5cm	5U	8,5kg	60x32x32cm	180U	325kg	100x120x207cm

CONNECTION

Use a 2 x 1mm² minimum cross section of connecting cable, to adapt according to the distance between the junction box of the projector and the transformer well as the power input.

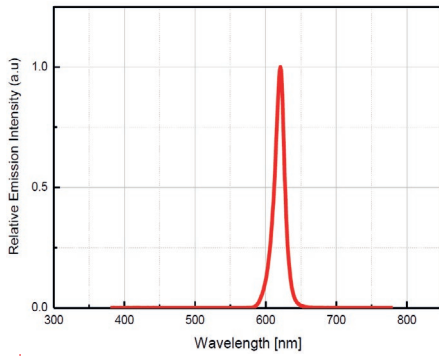


~12V(AC)
or ~20V(DC)

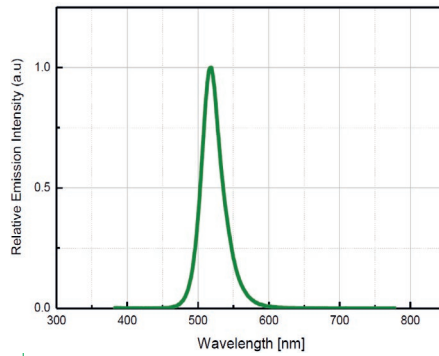
USE ONLY WITH A SAFETY TRANSFORMER / DO NOT PLUG IN SERIES /
PROTECT THE CONNECTOR WITH INSULATING GEL

PHOTOMETRY

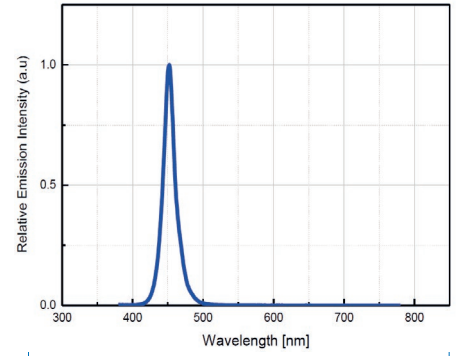
(Measurements performed in laboratory; * measurements made in water immersion)



Wave length : 614/624nm
Ra (IRC) : N/A
Diffusion angle : 120°
Nominal luminous flux : 112 lumens*



Wave length : 520/540nm
Ra (IRC) : N/A
Diffusion angle : 120°
Nominal luminous flux : 320 lumens*

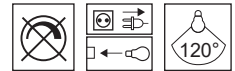


Wave length : 465/485nm
Ra (IRC) : N/A
Diffusion angle : 120°
Nominal luminous flux : 80 lumens*

Maxi luminous flux : 512 lumens

ELECTRICAL PARAMETERS

Max instant power : 16W*
Stabilized power >1h : N/A
Power voltage : ~12V(AC) 50/60Hz or ~20V(DC)
PF max : 0,7 si ~12V(AC)
PF max : 1 si ~20V(DC)
Mini power supply ~12V(AC) [(Pi/PF)+20%] : 28VA
Electrical Class : III
EEI : N/A



CLASS III III ~12V(AC)
~20V(DC)

OTHER PARAMETERS

Protection index : IP68*
LED life span : 15 000h
On/Off cycles : > 100 000
Use : permanent under water use only

On/Off >100 000

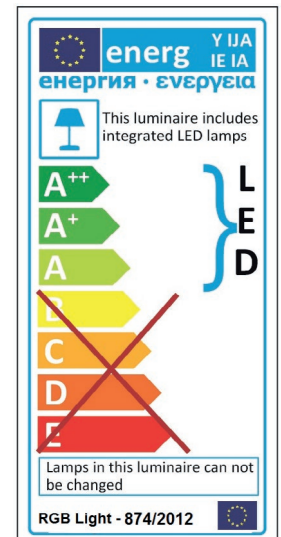
Hg 0,0mg

IP68 1,0m

!
USE ONLY IN OUTDOOR POOL
LAMP NOT SUITABLE FOR
ACCENT LIGHTING

CERTIFICATION

EMC 2014/30/EU Directive.
Radio RED 2014/53/EU Directive.
EN60598-1 / EN60598-2-18 Norm in all its modifications.



«SPECIAL USE LAMP, COLOR CHANGING MODE NOT CONCERNED BY 1194/2012 PERFORMANCE»