

Silen I Swimming pool, whirlpool and spa



Centrifugal single stage pump for water recirculation and filtration

Applications

Water recirculation and filtration for small swimming pools.
Silent.
Self-priming up to 4m.

Materials

Pump body, impeller, diffuser, suction and discharge in technopolymer.
Pump shaft in AISI 431.
Mechanical seal in aluminium-graphite.
Motor casing in aluminium.
O-rings in NBR/EPDM.

Equipment

No cable.
Unions included 50mm.

Motor

Asynchronous 2 poles.
IPX5 protection.
Class F insulation.
Built-in thermal protection.
Continuous operation.

Limitations

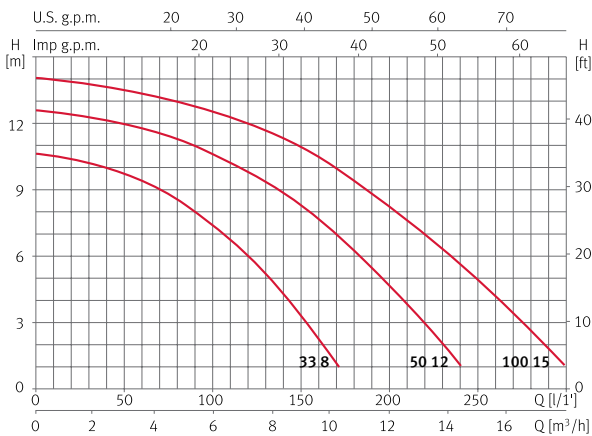
Maximum water temperature: 40° C.



Hydraulic performance table

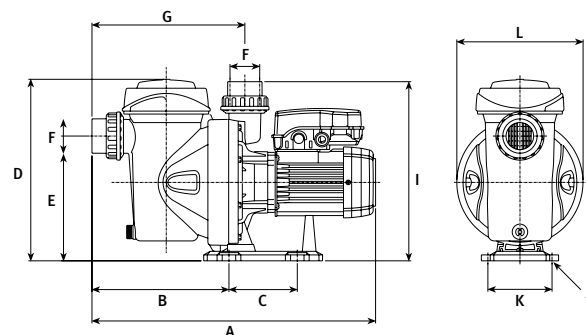
Model	I [A]	P1 [kW]	P2		c [µF]	l/min	25	50	75	100	150	200	250	290	Code
	1~230V	1~	[kW]	[HP]			m³/h	1,5	3,0	4,5	6,0	9,0	12	15	
Silen I 33 8	2	0,45	0,25	0,33	12	mwc	10,2	9,7	8,6	7,2	3,2	-	-	-	203144
Silen I 50 12	2,8	0,65	0,37	0,5	12		12,3	11,9	11,3	10,5	8,1	4,6	-	-	203145
Silen I 100 15	3,8	0,85	0,75	1	12		13,8	13,3	13	12,5	10,8	8,1	4,8	1,8	203146

Performance curve at 2900 rpm



Dimension and weight

Model	A	B	C	D	E	F	G	I	J	K	L	Kg
Silen I 33	439	192	115	304	210	50	221	264	Ø9	108	212	8,9
Silen I 50	439	192	115	304	210	50	221	264	Ø9	108	212	10,2
Silen I 100	439	192	115	304	210	50	221	264	Ø9	108	212	10,9



Silen S Swimming pool, whirlpool and spa



Centrifugal single stage pump for water recirculation and filtration

Applications

Water recirculation and filtration for medium swimming pools.
Silent.
Self-priming up to 4m.

Materials

Pump body, impeller, diffuser, suction and discharge in technopolymer.
Pump shaft in AISI 431.
Mechanical seal in aluminium-graphite.
Motor casing in aluminium.
O-rings in NBR/EPDM.

Equipment

No cable.
Unions included 50mm.

Motor

Asynchronous 2 poles.
IPX5 protection.
Class F insulation.
Single phase motor with built-in thermal protection.
Continuous operation.

Limitations

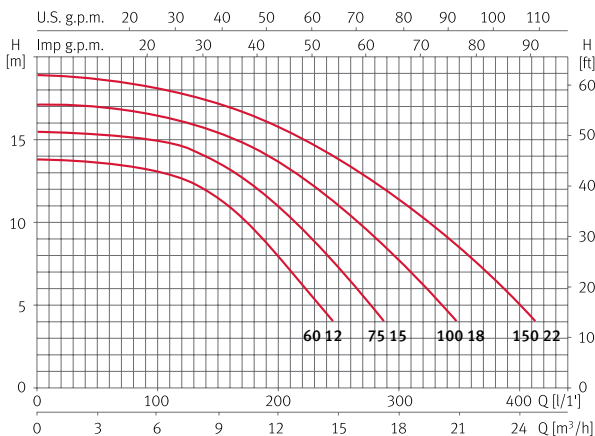
Maximum water temperature: 40° C.



Hydraulic performance table

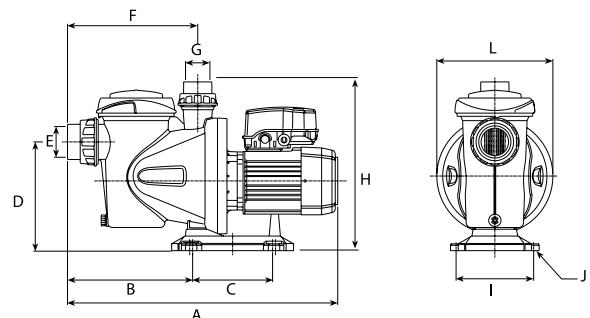
Model	I [A]			P1 [kW]		P2		c [μF]	l/min	40	80	120	160	215	265	325	400	Code		
	1~230V	3~230V	3~400V	1~	3~	[kW]	[HP]											1~230V	3~230V/400V	
Silen S 60 12	3,7	2,4	1,4	0,8	0,8	0,44	0,6	16											203147	203151
Silen S 75 15	5,5	3,3	1,9	1,2	1	0,55	0,75	16											203148	203152
Silen S 100 18	6	3,8	2,2	1,4	1,2	0,75	1	16											203149	203153
Silen S 150 22	7,1	4,8	2,8	1,6	1,6	1,1	1,5	25											203150	203154

Performance curve at 2900 rpm



Dimension and weight

Model	A	B	C	D	E	F	G	H	I	J	L	Kg
Silen S 60	555	257	164	225	50	267	50	347	159	Ø9	238	8,9
Silen S 75	555	257	164	225	50	267	50	347	159	Ø9	238	10,2
Silen S 100	555	257	164	225	50	267	50	347	159	Ø9	238	10,9
Silen S 150	577	257	164	225	50	267	50	347	159	Ø9	238	13,5



Silen S2 Swimming pool, whirlpool and spa



Centrifugal single stage pump for water recirculation and filtration

Applications

Water recirculation and filtration for large swimming pools.
Silent.
Self-priming up to 4m.

Materials

Pump body, impeller, diffuser, suction and discharge in technopolymer.
Pump shaft in AISI 431.
Mechanical seal in aluminium-graphite.
Motor casing in aluminium.
O-rings in NBR/EPDM.

Equipment

No cable.
Unions included 63mm.

Motor

Asynchronous 2 poles.
IPX5 protection.
Class F insulation.
Single phase motor with built-in thermal protection.
Continuous operation.

Limitations

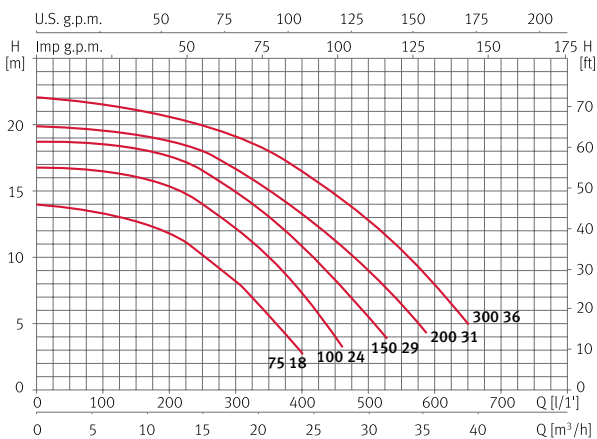
Maximum water temperature: 40° C.



Hydraulic performance table

Model	I [A]			P1 [kW]		P2		c [μF]	l/min	m³/h								Code	
	1~230V	3~230V	3~400V	1~	3~	[kW]	[HP]			100	150	250	350	450	500	550	650	1~230V	3~230V/400V
Silen S2 75 18	4,5	3,8	2,2	1	1	0,55	0,75	25	mwc	13,2	12,8	10	5,5	-	-	-	-	203155	203160
Silen S2 100 24	7	4,8	2,8	1,5	1,6	0,9	1,2	25		16,5	16	14,2	10	4	-	-	-	203156	203161
Silen S2 150 29	8,5	5,3	3,1	1,9	1,9	1,1	1,5	25		18,5	18,2	16,5	13	8,2	5,5	-	-	203157	203162
Silen S2 200 31	9,7	6,5	3,8	2,2	2,2	1,5	2	30		19,5	19,1	18	15	11,1	9	6,3	-	203158	203163
Silen S2 300 36	12,5	8,6	5	2,8	2,6	2,2	3	60		21,5	21	19,9	18	14,9	12,9	10,3	5	203159	203164

Performance curve at 2900 rpm



Dimension and weight

Model	A	B	C	D	E	F	G	H	I	Kg
Silen S2 75	624	222	272	285	188	268	Ø13	63	327	14
Silen S2 100	624	222	272	285	188	268	Ø13	63	327	15
Silen S2 150	624	222	272	285	188	268	Ø13	63	327	18
Silen S2 200	624	222	272	285	188	268	Ø13	63	327	21
Silen S2 300	624	222	272	285	188	268	Ø13	63	327	23

