

# DAVEY

**SILENSOR**<sup>®</sup> by **DAVEY**

## Swimming Pool Pumps

Models:

SLS100, SLS100E, SLS150, SLS150E, SLS200, SLS300, SLL1503F,  
SLL150E, SLL200, SLL2003F, SLL200E, SLL300, SLL3003F, SLL300E,  
SLL400, SLL4003F, SLL400E

## Installation and Operating Instructions



**WARNING:** Failure to follow these instructions and comply with all applicable codes may cause serious bodily injury and/or property damage.

The installation of this product should be carried out by a person knowledgeable in swimming pool plumbing requirements following the installation instructions provided in this manual.

**Please pass on these instructions on to the operator of this equipment.**

## **CONTENTS:**

<b>1. YOUR DAVEY SILENSOR.....</b>	<b>3</b>
<b>2. LOCATION .....</b>	<b>3</b>
<b>3. WEATHER PROTECTION .....</b>	<b>4</b>
<b>4. POWER CONNECTIONS .....</b>	<b>4</b>
4.1 Single phase connections .....	4
4.1.1. Wiring connections .....	5
4.2 Three phase connections .....	5
4.2.1. Wiring connections .....	5
<b>5. PIPE CONNECTIONS.....</b>	<b>6</b>
5.1 Australia and New Zealand .....	6
5.2 Europe.....	6
<b>6. TECHNICAL SPECIFICATIONS .....</b>	<b>7</b>
6.1 Hydraulic performance .....	7
6.2 Electrical data.....	7
6.3 Operating limits .....	8
6.4 Dimensions.....	8
<b>7. STARTING THE PUMP .....</b>	<b>8</b>
<b>8. PUMP OPERATION .....</b>	<b>8</b>
<b>9. TROUBLE SHOOTING.....</b>	<b>9</b>
<b>10. REMOVAL OF THE PUMP     FROM PIPEWORK .....</b>	<b>9</b>
<b>11. WATER QUALITY .....</b>	<b>10</b>
<b>DAVEY WARRANTY.....</b>	<b>12</b>

Prior to using this pump you must ensure that:

- The pump is installed in a safe and dry environment
- The pump enclosure has adequate drainage in the event of leakage
- Any transport plugs are removed
- The pipe-work is correctly sealed and supported
- The pump is primed correctly
- The power supply is correctly connected
- All steps have been taken for safe operation

Appropriate details for all of these items are contained in the following Installation and Operating Instructions. Read these in their entirety before switching on this pump. If you are uncertain as to any of these Installation and Operating Instructions please contact your Davey dealer or the appropriate Davey office as listed on the back of this document.

## 1. YOUR DAVEY SILENSOR

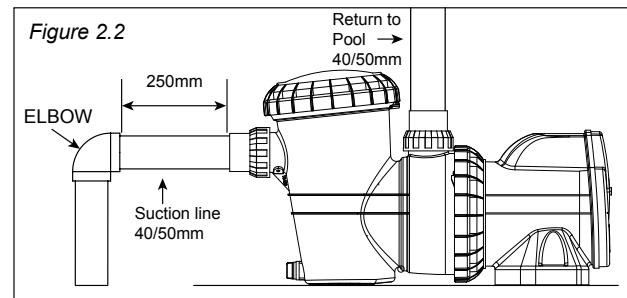
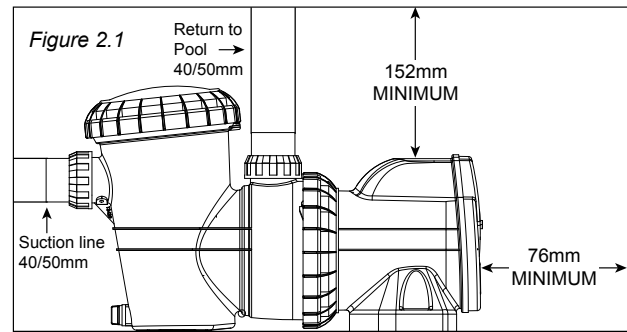
Congratulations on your purchase of a quality product from the Davey range of Pool and Spa Equipment. Davey Silensor pool pumps have been designed to circulate swimming pool and spa water in conditions set out in the Australian Standard for swimming pool water quality (AS 3633), or local equivalent. They should not be used for any other purpose without first consulting your Davey retailer, or the Davey Support Centre. For contact details, please consult the back page of this manual.

Davey design and build its own electric motors especially for its pumps. The matched motor and “pumping end” are designed to provide the quietest operation while delivering maximum water flow. Davey’s innovative water cooled motor incorporates manual overload protection with a built-in automatic thermostat designed to protect the motor from overheating. This protection will also prevent ‘dry run’ damage. Every Davey Silensor pool pump is thoroughly tested against a number of pressure, voltage, current and mechanical performance parameters. Davey’s advanced pump manufacturing technology provides reliable and efficient pumping performance that lasts and lasts.

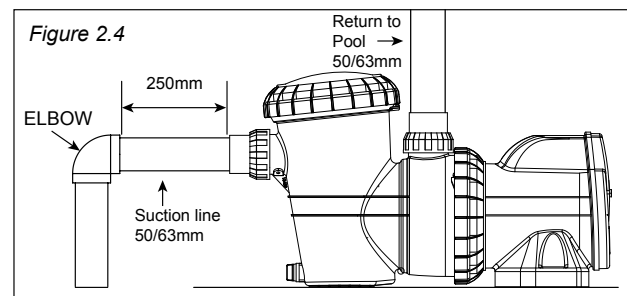
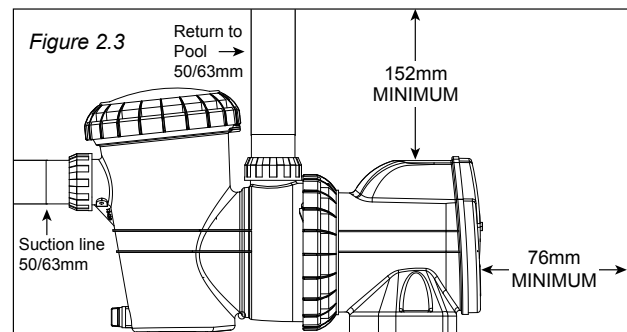
## 2. LOCATION

The pump should be located as close to the water as practicable and mounted on a firm base in a well drained position, high enough to prevent any flooding. It is the installer’s/owner’s responsibility to locate the pump such that the nameplate can be easily read and the pump can be readily accessed for service.

### Australia/New Zealand



### Europe



1. Do not install 90° elbows directly into pump inlet. Elbows should be no closer than 250mm to the inlet.
2. Flooded suction systems should have gate valves installed on suction and discharge pipes for maintenance, however, the suction gate valve should be no closer than 250mm from the inlet.
3. Use a check valve in the discharge line when using this pump for any application where there is significant height to the plumbing after the pump.
4. Be sure to install check valves when plumbing in parallel with another pump. This helps prevent reverse rotation of the impeller and motor.

### 3. WEATHER PROTECTION

It is recommended that the pump is protected from the weather.



In accordance with EN60335.2.41 we are obliged to inform you that this appliance can be used by children aged from 8 years and above and persons with reduced physical, sensory or mental capabilities or lack of experience and knowledge if they have been given supervision or instruction concerning use of the appliance in a safe way and understand the hazards involved. Cleaning and user maintenance shall not be made by children without supervision.

In accordance with AS/NZS 60335.2.41 we are obliged to inform you that this pump is not to be used by children or infirm persons and must not be used as a toy by children.

### 4. POWER CONNECTIONS



**NOTE:** The pump must be supplied through a residual current device (RCD) having a rated residual operating current not exceeding 30mA.

#### 4.1 Single phase connections



**Important Information:** Your Davey pump is Double Insulated to Water Circuit. If equipotential bonding structure is required, then a Equipotential Bonding Point is provided. (Please refer to your local statutes and regulations for AS/NZ 3000 Wiring standards).



**NOTE:**

1. Ensure motor is connected to power supply specified on nameplate.
2. Avoid long extension leads as they can cause substantial voltage drop and operating problems.
3. Although the Davey electric motor is specifically engineered to perform on a range of power supply voltages, malfunctions or failure caused by adverse voltage supply conditions are not covered under guarantee.
4. Power connections and wiring must be carried out by an authorised electrician.
5. In the interest of safety, we advise that all brands and types of pool pumps must be installed in accordance with AS3000 wiring rules, or equivalent.
6. Ensure that an electrical isolation switch is located with easy access so that the pump can be switched off in an emergency.

Davey Silensor pool pumps are suitable for connection to a nominal 220/240 volt 50Hz power supply.

In Europe, the pump is supplied with a 3 metre lead which must be connected by an electrician.

In Australia and New Zealand, they are equipped with a flex lead and 3-pin plug. If a power outlet is not available within 3 metres of the pump, a 3-pin point point in a safe, dry place may need to be provided by an electrician. Extension cords are unsafe around pools and should be avoided.

Always ensure that the earth conductor included is connected to a good earth. If the supply cord of this product is damaged it must be replaced by the dealer, or manufacturer.

### 4.1.1 Wiring Connections

Please refer to the below schematic for information on how to correctly install your pump.

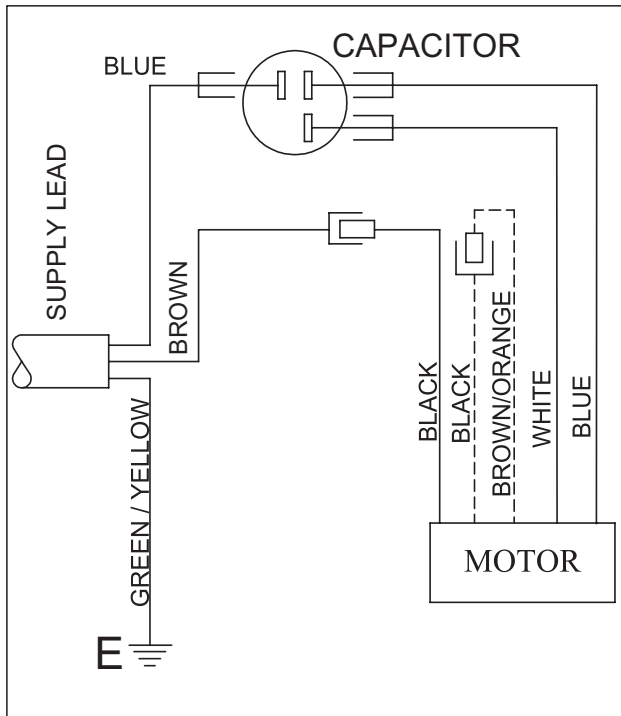


Figure 4.1

All single phase Silensor models have manual re-set thermal overload protection built in, i.e. should overload on motor cause thermal to open circuit and switch motor off, it will not re-set and switch motor on until power to the motor has been turned off and then turned back on.

### 4.2 Three phase connections

Three phase models are designed for connection to a nominal 400V power supply, but must be wired with a contactor with 'quick-trip' (or M10 rated) overloads set a 4.3 amps.

Davey recommend the use of overloads which also have the ability to detect "single phasing" or "dropped phase" conditions in the power supply.

**NOTE: Three phase motors do not have capacitors fitted in the capacitor cover.**

1. Wire the attached lead into mains 3-phase power, being careful to attach the correct wires.
2. Check correct rotation of pump by: Remove bolt and washer (1) from the rear of the pump using a 1/2" socket and remove the rear pump cover (2).
3. Check that the three phase wiring is correct by connecting the lead to power and ensure that the motor shaft is turning correctly in a clockwise direction. A directional arrow can be found on the rear end shield (5).
4. Carefully fit wiring and terminal block back

in to the capacitor housing, ensuring that all wires are housed so that the rear cover doesn't pinch the wires when fitted

5. Replace rear pump cover and fasten with nut and washer. Be sure that the pump is not resting on the cable.

### 4.2.1 Wiring Connections

Please refer to the below schematic for information on how to correctly install your pump.

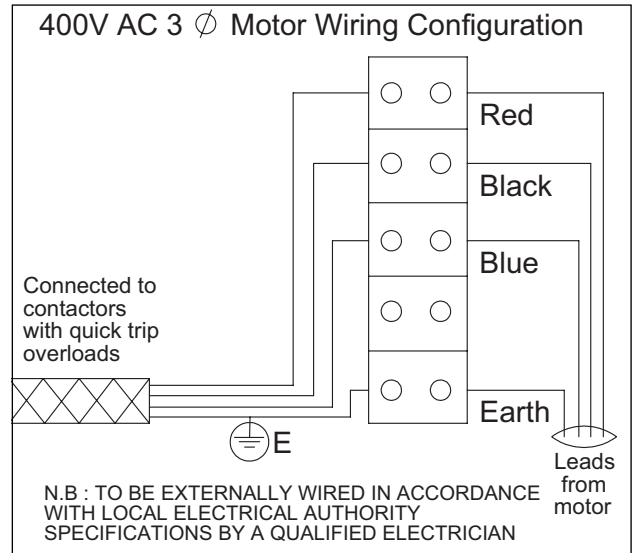


Figure 4.2

**NOTE: THREE PHASE MODELS ONLY**  
**Before finalising wiring connections and before priming pump, check That the motor rotates in direction of arrow (clockwise when the Shaft is viewed from the wiring connection end). To alter rotation, Change any two power leads at motor terminals.**

**When the unit is connected and operating the phase balance should be checked. This should be within 5% variation. "Rolling" the leads may help to improve a small unbalance, but major phase unbalance will usually be attributed to an input power unbalance. This must be addressed before the pump is used. Pipe Connection Barrel unions need to be hand tightened. No sealant, glues or silicones are required.**

See Figure 4.3 and 4.4 overleaf.

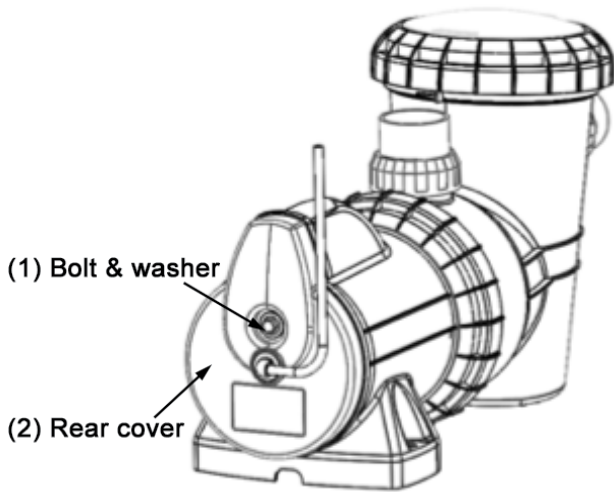


Figure 4.3

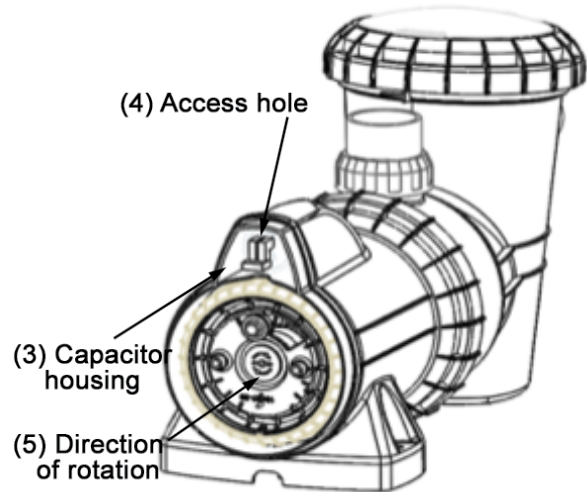


Figure 4.4

## 5. PIPE CONNECTIONS

A set of applicable (European or Australian) barrel unions are provided for connecting to the piping from the pool. The pumps are designed to accept the following PVC pipes by fitting the pipe to either the inside or the outside of the union tail. The use of any pipe smaller than those specified below is not recommended. Suction piping should be free from all air leaks and any humps and hollows which cause suction difficulties. The discharge piping from the pump outlet should be connected to the inlet connection on the swimming pool filter (usually at the filter control valve).

### 5.1 Australia and New Zealand

Model	Inlet PVC	Position	Outlet PVC	Position
SLS100-300	1.5" pipe or 2" fitting	ID OD	1.5" pipe 2" fitting	ID OD
SLL200	1.5" pipe or 2" fitting or 2" pipe	ID OD ID	1.5" pipe 2" fitting 2" pipe	ID OD ID
SLL300/400	1.5" pipe	ID	2" pipe	ID

### 5.2 Europe

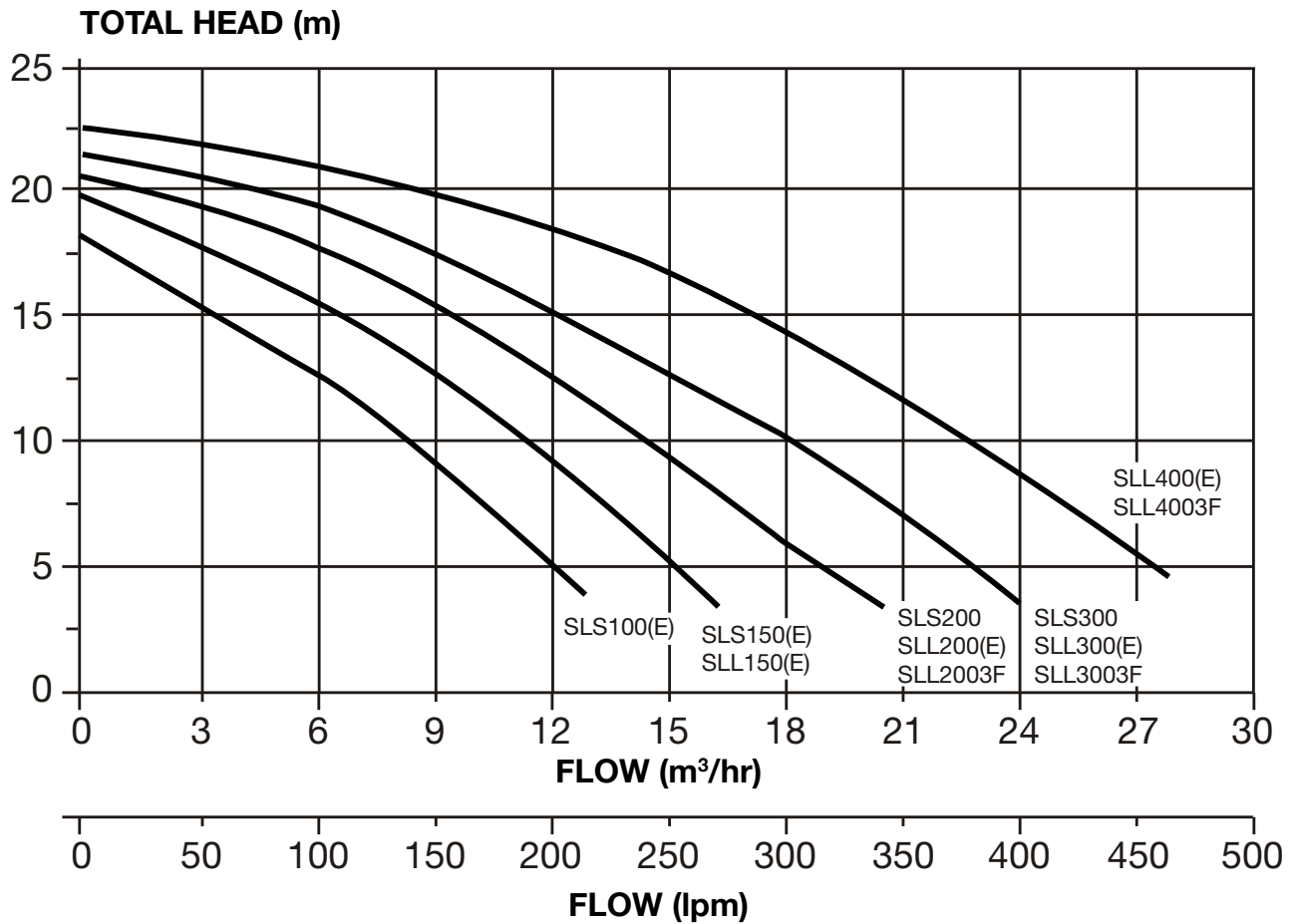
Model	Inlet PVC	Position	Outlet PVC	Position
SLS100E, SLS150E	1.5" (50mm) pipe or 2" (63mm) fitting	ID OD	1.5" (50mm) pipe 2" (63mm) fitting	ID OD
SLL150E, SLL200E, SLL2003F	1.5" (50mm) pipe or 2" (63mm) fitting or 2" (63mm) pipe	ID OD ID	1.5" (50mm) pipe 2" (63mm) fitting 2" (63mm) pipe	ID OD ID
SLL300E, SLL400E, SLL3003F, SLL4003F	2" (63mm) pipe	ID	2" (63mm) pipe	ID



The fittings on this product are constructed of ABS. Some PVC jointing compounds are incompatible with ABS. Check compound suitability before use. Barrel unions need to be hand tightened. No sealant, glues or silicones are required. If the pump and filter are located below pool water level, it is necessary to fit isolating valves in the pipe between the pump and the skimmer box and in the return pipe from the filter to the pool.

## 6. TECHNICAL SPECIFICATIONS

### 6.1 Hydraulic performance



### 6.2 Electrical data

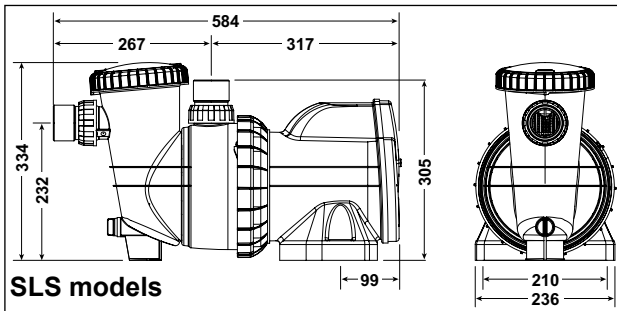
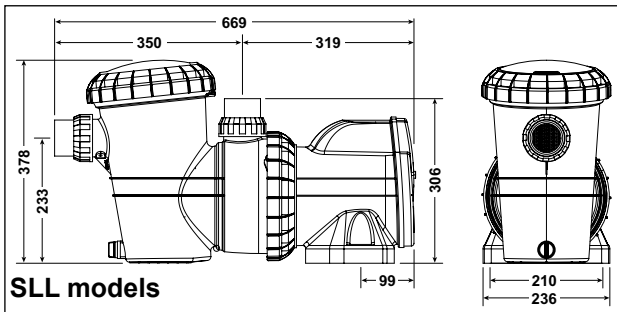
Model	SINGLE PHASE							
	SLS100(E)	SLS150(E)	SLS200	SLS300	SLL150(E)	SLL200(E)	SLL300(E)	SLL400(E)
Voltage (V)	220-240 ~							
Supply Frequency (Hz)	50							
Input Power P <sub>1</sub> (W/hp)	740/1.0	860/1.2	1090/1.5	1400/1.9	860/1.2	1130/1.5	1400/1.9	1760/2.4
Output Power P <sub>2</sub> (W/hp)	525/0.7	620/0.8	775/1.0	960/1.3	620/0.8	830/1.1	960/1.3	1200/1.6
Nominal Speed (rpm)	2850							
Enclosure Class (IP)	56							
Insulation Class	F							
Approval No.	A/10EA							
Lead Length	3m							

Model	THREE PHASE		
	SLL2003F	SLL3003F	SLL4003F
Voltage (V)	380-440 ~		
Supply Frequency (Hz)	50		
Input Power P <sub>1</sub> (W/hp)	1090/1.5	1400/1.9	1760/2.4
Output Power P <sub>2</sub> (W/hp)	830/1.1	960/1.3	1200/1.6
Nominal Speed (rpm)	2850		
Enclosure Class (IP)	56		
Insulation Class	F		
Approval No.	A/10EA		
Lead Length	3m		

## 6.3 Operating limits

Model	SLS100(E)	SLS150(E)	SLS200	SLS300	SLL150(E)	SLL200(E)	SLL300(E)	SLL400(E)
Max. total head (m)	16	20	21	22	20	21	22	23
Maximum water temperature	40°C							
Maximum ambient temperature	40°C							
Noise level (AS 5102.2)	54 - 56 dBa							

## 6.4 Dimensions



## 7. STARTING THE PUMP

To operate efficiently and prevent pump damage there must be a free flow of water to and from the pump. Before starting ensure that:

- all pipework is correctly sealed.
  - the pool/spa water level is at the correct height.
  - that all appropriate valves are open and there is nothing preventing the flow of water through the system.
1. First prime the pump by removing the strainer basket lid and filling the strainer basket area with water. Replace the lid, ensuring that it seals on the large oring.
  2. Connect to the power supply and switch on.
  3. Allow the pump to run, so that any air trapped may be expelled.
  4. If prime is not established within approximately two minutes, as evidenced by a strong flow of water, switch off the pump and repeat the procedure. Continued evidence of air under the strainer basket lid indicates an air leak in the suction piping which should be rectified to avoid pump damage.

## 8. PUMP OPERATION

For optimum pump performance, the strainer basket housing should always be full of water and free from air bubbles. The water level of the pool should always be maintained to at least halfway up the skimmer box ensuring water is in the pump at all times. From time to time it may be necessary to re-prime the pump. This should be carried out as described above.



**Never run pump dry. Running the pump with no water may damage the mechanical seals, causing leakage and flooding. Dry running damage and associated damage is not covered under warranty. Silensor incorporates dry run protection which will need to be re-set by turning off the power supply, reducing potential damage.**

### 8.1 Emptying the strainer basket

The strainer basket should be inspected frequently through the transparent lid and emptied when a build up of rubbish is evident. The directions below should be followed.

1. Switch off pump.
2. Close all valves in pipework.
3. Unscrew the strainer basket lid anti-clockwise and remove.
4. Remove the strainer basket by lifting upwards from its housing.
5. Empty the trapped refuse from the basket. Hose out with water if necessary.
6. Check the strainer basket for cracks, replace the strainer basket in the pump if OK.
7. Replace the lid and ensure that it seals on the large rubber oring. Firm hand tightness only is required. The oring & thread can be lubricated with Hydra slip or equivalent products.
8. Open all valves in pipework.



**Failure to undertake regular maintenance may cause damage not covered by warranty.**



## 9. TROUBLE SHOOTING

If the pump runs but there is no water flow or water flow is reduced, the following condition may apply:

1. The filter requires backwashing or it is blocked. Refer to the relevant section in the Filter Manual.
2. The pump is not primed. Re-prime as per instruction in 'Starting the pump'
3. There are air leaks in the suction piping. Check all piping and eliminate leaks, also check for a loose strainer basket lid. Air bubbles in the water flowing back to the pool would indicate a leak in the suction to the pump allowing air to enter the pipework.
4. A leaking pump shaft seal may also prevent operating. Evidence of this would be water on the ground under the pump.
5. The pump is not able to get water from the pool. Check that the valves to the pump are fully open and that the pool water level is up to the skimmer box.
6. Blockage in the piping or pump. Remove the strainer basket and check for any blockage to the pump impeller entry. Check the skimmer box for blockage.

If the pump does not operate, the following conditions may apply:

1. The power is not connected. For 240 volt only (Single Phase), check the power point by plugging in a portable appliance to ensure power is available. Also check fuses and the main power supply switch
2. Automatic overload is tripped following an overheating period. The pump has an in-built thermal overload which will re-set after the motor has cooled and the power supply has been re-set (turn off and back on). Determine the cause of the overload tripping and rectify.
3. Blockage is preventing the pump from rotating.
4. Motor is burnt out - burning smell is evident. Replacement is required.

If you are unable to resolve any installation or operation difficulties with your Silensor, contact the supplier from whom the pump was purchased or your nearest Authorised Davey Pool Equipment Service Centre. If any further assistance is required, contact the Davey Customer Service Centre at the address indicated in this manual.

## 10. REMOVAL OF THE PUMP FROM PIPEWORK

Should it be necessary to remove the pump, follow these instructions:

1. Switch off the power and remove the plug from the power source.



**NOTE: If the pump is wired into a time clock or another automatic control, the wiring should be removed by a qualified electrician.**

2. Close the water valves on the pool return and the pump inlet pipework.
3. Remove the discharge and suction barrel unions taking care not to lose the orings.
4. Move the pipework with the barrel unions attached until the pump can be pulled clear.



**NOTE: When making any enquiries about your Silensor be certain to quote the model number from the nameplate located on motor.**

## 11. WATER QUALITY

Maintaining balanced water chemistry is important to the life of your pool pump. This pump is designed to be used with Pool & Spa water, balanced in accordance with Langlier Saturation Index, with a pH level of between 7.2 and 7.8 and is regularly treated with a chlorine sanitising agent with the level not exceeding 3ppm.

Please consult your local pool shop regularly to have your water tested.



The electrical connections and checks must be made by a qualified electrician and comply with applicable local standards. Poor installation or poor power supply may even result in electrical fires!



Routine Maintenance tasks – to maximise the life of your pool equipment and personal safety, use this checklist once a week. Turn pump off first.

- a. Make sure that any pressure gauges are in working condition and the operating pressure is within limits as specified on the product.
- b. Make sure that each suction inlet, and main drain has a cover that is securely attached and in safe working condition.
- c. Make sure that all skimmer covers are securely attached and in safe working condition. These should be replaced every 3 to 4 years.
- d. Remove any obstructions or debris from the main drain cover.
- e. Ensure the skimmer baskets and the pump hair and lint pots are free of leaves and debris at least once a week.
- f. Remove obstructions and combustibles from around the pump motor.
- g. Make sure all wiring connections are clean and that all wiring and electrical equipment is in good condition. Damaged wiring must be repaired or replaced by a qualified electrician as soon as damage is discovered.
- h. Check water balance and sanitiser levels at your local pool shop.



**DANGER - Hazardous suction.** Do not block water entry into filtration system with any part of your body as the pressure can trap hair or body parts, causing severe injury or death. Do not block suction. Turn off pump immediately if someone becomes trapped.



**Caution!** Do not add chemicals directly to the pool skimmer. Adding undiluted chemicals may damage pump and filter and void warranty.



**WARNING!** Pump suction is hazardous and can trap and drown or disembowel bathers. Do not block suction. Do not use or operate swimming pools, spas or spa baths if a suction cover is broken, missing or loose. Two suction covers and inlets must be provided into every pump to avoid suction entrapment.



## Davey Warranty

Davey Water Products Pty Ltd (Davey) warrants all products sold will be (under normal use and service) free of defects in material and workmanship for a minimum period of one (1) year from the date of original purchase by the customer as marked on the invoice, for specific warranty periods for all Davey products visit [daveywater.com](http://daveywater.com).

This warranty does not cover normal wear and tear or apply to a product that has:

- been subject to misuse, neglect, negligence, damage or accident
- been used, operated or maintained other than in accordance with Davey's instructions
- not been installed in accordance with the Installation Instructions or by suitably qualified personnel
- been modified or altered from original specifications or in any way not approved by Davey
- had repairs attempted or made by other than Davey or its authorised dealers
- been subject to abnormal conditions such as incorrect voltage supply, lightning or high voltage spikes, or damages from electrolytic action, cavitation, sand, corrosive, saline or abrasive liquids,

The Davey warranty does not cover replacement of any product consumables or defects in products and components that have been supplied to Davey by third parties (however Davey will provide reasonable assistance to obtain the benefit of any third-party warranty).

To make a warranty claim:

- If the product is suspected of being defective, stop using it and contact the original place of purchase. Alternatively, phone Davey Customer Service or send a letter to Davey as per the contact details below
- Provide evidence or proof of date of original purchase
- If requested, return the product and/or provide further information with respect to the claim. Returning the product to the place of purchase is at your cost and is your responsibility.
- The warranty claim will be assessed by Davey on the basis of their product knowledge and reasonable judgement and will be accepted if:
  - a relevant defect is found
  - the warranty claim is made during the relevant warranty period; and
  - none of the excluded conditions listed above apply

- The customer will be notified of the warranty decision in writing and if found to be invalid the customer must organise collection of the product at their expense or authorise its disposal.

If the claim is found to be valid Davey will, at its option, repair or replace the product free of charge.

The Davey warranty is in addition to rights provided by local consumer law. You are entitled to a replacement or refund for a major failure and compensation for any other reasonably foreseeable loss or damage. You are also entitled to have the goods repaired or replaced if the goods fail to be of acceptable quality and the failure does not amount to a major failure.

For any internet connected products the consumer is responsible for ensuring a stable internet connection. In the event of a network failure the consumer will need to address the concern with the service provider. Use of an App is not a substitute for the User's own vigilance in ensuring the product is working to expectation. Use of a Smart Product App is at the User's own risk. To the fullest extent permitted by law Davey disclaims any warranties regarding the accuracy, completeness or reliability of App data. Davey is not responsible for any direct or indirect loss, damage or costs to the User arising from its reliance on internet connectivity. The User indemnifies Davey against any claims or legal actions from them or others relying on internet connectivity or App data may bring in this regard.

Products presented for repair may be replaced by refurbished products of the same type rather than being repaired. Refurbished parts may be used to repair the products. The repair of your products may result in the loss of any user-generated data. Please ensure that you have made a copy of any data saved on your products.

To the fullest extent permitted by law or statute, Davey shall not be liable for any loss of profits or any consequential, indirect or special loss, damage or injury of any kind whatsoever arising directly or indirectly from Davey products. This limitation does not apply to any liability of Davey for failure to comply with a consumer guarantee applicable to your Davey product under local laws and does not affect any rights or remedies that may be available to you under local laws.

For a complete list of Davey Dealers visit our website ([daveywater.com](http://daveywater.com)) or call:

## DAVEY

Davey Water Products Pty Ltd  
Member of the GUD Group  
ABN 18 066 327 517

[daveywater.com](http://daveywater.com)

### AUSTRALIA

#### Head Office

6 Lakeview Drive,  
Scoresby, Australia 3179  
Ph: 1300 232 839  
Fax: 1300 369 119  
Email: [sales@davey.com.au](mailto:sales@davey.com.au)

### NEW ZEALAND

7 Rockridge Avenue,  
Penrose, Auckland 1061  
Ph: 0800 654 333  
Fax: 0800 654 334  
Email: [sales@dpw.co.nz](mailto:sales@dpw.co.nz)

### EUROPE

7 rue Eugène Hénaff 69200  
Vénissieux, France  
Ph: +33 (0) 4 72 13 95 07  
Fax: +33 (0) 4 72 33 64 57  
Email: [info@daveyeurope.eu](mailto:info@daveyeurope.eu)

### NORTH AMERICA

Ph: 1-888-755-8654  
Email: [info@daveyusa.com](mailto:info@daveyusa.com)

### MIDDLE EAST

Ph: +971 50 6368764  
Fax: +971 6 5730472  
Email: [info@daveyuae.com](mailto:info@daveyuae.com)

# DAVEY

**SILENSOR**<sup>®</sup> by **DAVEY**

## Schwimmbadpumpen

Modelle:

SLS100, SLS100E, SLS150, SLS150E, SLS200, SLS300, SLL1503F, SLL150E,  
SLL200, SLL2003F, SLL200E, SLL300, SLL3003F, SLL300E,  
SLL400, SLL4003F, SLL400E

## Installations- und Betriebsanweisungen



**WARNUNG:** Die Nichtbeachtung dieser Anweisungen und die Nichteinhaltung aller geltenden Vorschriften können zu schweren Körperverletzungen und/oder Sachschäden führen.

Die Installation dieses Produkts sollte von einem kompetenten Schwimmbad-Installateur und gemäß den Installationsanleitungen in dieser Betriebsanleitung vorgenommen werden.

**Bitte geben Sie diese Anweisungen an den Bediener dieser Anlage weiter.**

## **INHALT:**

<b>1. IHR DAVEY SILENSOR.....</b>	<b>15</b>
<b>2. INSTALLATIONSORT.....</b>	<b>15</b>
<b>3. WETTERSCHUTZ.....</b>	<b>16</b>
<b>4. NETZANSCHLÜSSE .....</b>	<b>16</b>
4.1 Einphasige Anschlüsse .....	16
4.1.1. Verdrahtungen.....	17
4.2 Dreiphasige Anschlüsse .....	17
4.2.1. Verdrahtungen.....	17
<b>5. ROHRLEITUNGSANSCHLÜSSE .....</b>	<b>18</b>
5.1 Australien und Neuseeland .....	18
5.2 Europa.....	18
<b>6. TECHNISCHE DATEN .....</b>	<b>19</b>
6.1 Hydraulische Leistung .....	19
6.2 Elektrische Daten .....	19
6.3 Betriebsgrenzen .....	20
6.4 Abmessungen.....	20
<b>7. STARTEN DER PUMPE .....</b>	<b>20</b>
<b>8. PUMPENBETRIEB .....</b>	<b>20</b>
<b>9. FEHLERSUCHE.....</b>	<b>21</b>
<b>10. ENTFERNEN DER PUMPE VON     DER ROHRLEITUNG.....</b>	<b>21</b>
<b>11. WASSERQUALITÄT .....</b>	<b>22</b>
<b>DAVEY-GARANTIE.....</b>	<b>24</b>

Vor dem Betrieb der Pumpe ist sicherzustellen, dass:

- Die Pumpe in einer sicheren und trockenen Umgebung installiert ist;
- Der Pumpenraum für den Fall einer Undichtigkeit über ein geeignetes Abflusssystem verfügt;
- Eventuell vorhandene Transportstopfen entfernt werden;
- Die Rohrleitungen sachgerecht abgedichtet und abgestützt sind;
- Die Pumpe richtig angesaugt wurde;
- Die Stromversorgung ordnungsgemäß angeschlossen ist;
- Alle Vorkehrungen für einen sicheren Betrieb getroffen wurden.

Entsprechende Angaben zu diesen Punkten sind in den vorliegenden Installations- und Betriebsanweisungen enthalten. Lesen Sie diese Anweisungen komplett durch, bevor Sie die Pumpe einschalten. Sollten Sie Teile dieser Installations- und Bedienungsanweisungen nicht verstanden haben, kontaktieren Sie bitte Ihren Davey-Händler oder die nächste Davey-Geschäftsstelle (siehe Liste am Ende dieses Dokuments).

## 1. IHR DAVEY SILENSOR

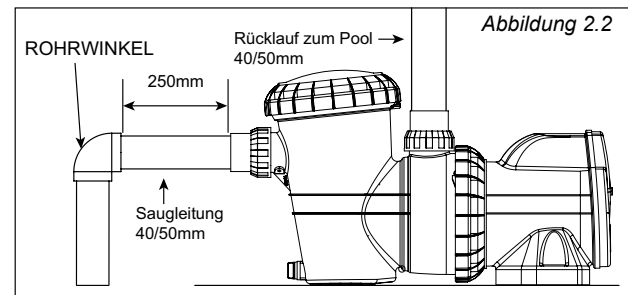
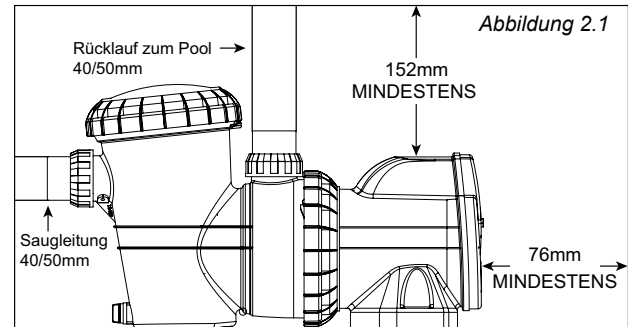
Wir gratulieren Ihnen zum Kauf eines Qualitätsprodukts aus dem Angebot von Pool- und Spa-Ausrüstungen von Davey. Die Davey Silensor Schwimmbadpumpen wurden entwickelt, um Pool- und Spa-Wasser unter den Bedingungen der australischen Norm für Poolwasserqualität AS 3633 oder gleichwertiger örtlicher Normen zu zirkulieren. Sie sollten nicht für irgendeinen anderen Zweck ohne die vorherige Beratung durch Ihren Davey-Händler oder den Davey-Kundendienst verwendet werden. Die Kontaktdaten finden Sie auf der letzten Seite dieses Handbuchs.

Davey entwickelt und fertigt die speziellen Elektromotoren für seine Pumpen selbst. Der spezielle Motor und die Pumpe wurden für einen nahezu geräuschlosen Betrieb und maximalen Wasserdurchfluss konzipiert. Der innovative wassergekühlte Motor von Davey verfügt über einen integrierten manuellen Überlastschutz mit eingebautem automatischem Thermostat, das den Motor vor Überhitzung schützt. Dieser Schutz verhindert zudem eine Beschädigung der Pumpe durch Trockenlauf. Jede Davey Silensor Poolpumpe wurde bezüglich der verschiedenen Druck-, Spannungs-, Strom- und mechanischen Leistungsparameter eingehend geprüft. Die fortschrittliche Pumpenfertigungstechnik von Davey ermöglicht eine langanhaltende, verlässliche und effiziente Pumpenleistung.

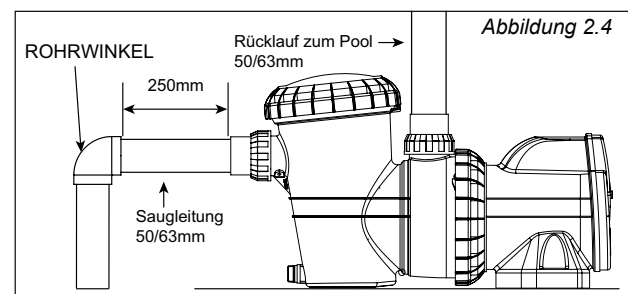
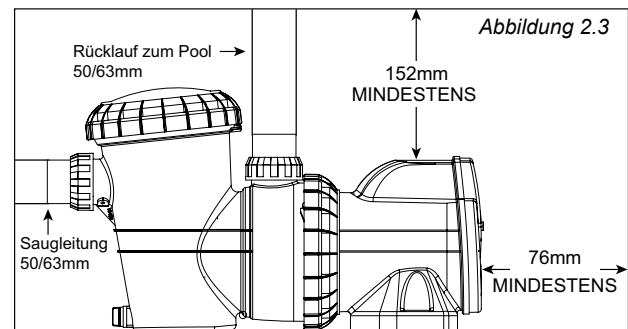
## 2. INSTALLATIONSSTANDORT

Die Pumpe sollte so nah wie möglich am Wasser stehen und auf einem festen Untergrund in einer gut entwässerten Position montiert werden, die hoch genug ist, um Überschwemmungen zu vermeiden. Es liegt in der Verantwortung des Monteurs/ Besitzers, die Pumpe so aufzustellen, dass das Typenschild einfach abzulesen ist und die Pumpe für Wartungen jederzeit zugänglich ist.

### Australien/Neuseeland



### Europa



1. 90°-Rohrwinkel dürfen nicht direkt mit dem Pumpeneinlass verbunden werden. Rohrwinkel sollten sich nicht näher als 250 mm zum Einlass befinden.
2. Bei überfluteten Absaugsystemen sollten an den Saug- und Druckleitungen Absperrschieber für Wartungsarbeiten installiert sein, jedoch nicht näher als 250 mm vom Einlass entfernt.

3. Verwenden Sie ein Rückschlagventil in der Druckleitung, wenn Sie diese Pumpe für alle Anwendungen verwenden, bei denen die Höhe der Rohrleitung nach der Pumpe groß ist.
4. Stellen Sie sicher, Rückschlagventile zu installieren, wenn Sie die Pumpe parallel mit einer anderen Pumpe betreiben. Dies schützt vor einer umgekehrten Rotation des Impellers und des Motors.

### 3. WETTERSCHUTZ

Es wird empfohlen, die Pumpe vor Witterungseinflüssen zu schützen.



Nach EN60335.2.41 sind wir verpflichtet, Sie darüber zu informieren, dass dieses Produkt von Kindern ab 8 Jahren und Personen mit physischen, sensorischen oder geistigen Einschränkungen oder mangelnder Erfahrung und mangelnden Kenntnissen verwendet werden kann, sofern sie entsprechend beaufsichtigt oder in der sicheren Verwendung dieser Anlage angeleitet wurden und mit den damit verbundenen Gefahren vertraut gemacht wurden. Die Reinigung und die durch den Benutzer durchzuführende Pflege des Geräts sollten nicht von Kindern ohne die Aufsicht einer erwachsenen Person vorgenommen werden.

Gemäß AS/NZS 60335.2.41 sind wir verpflichtet, Sie zu informieren, dass diese Pumpe nicht von Kindern oder gebrechlichen Personen bedient und von Kindern nicht als Spielzeug benutzt werden darf.

### 4. NETZANSCHLÜSSE



**HINWEIS:** Die Pumpe muss mit einer Fehlstromschutzeinrichtung verbunden sein, deren Fehlstrom 30 mA nicht übersteigt.

#### 4.1 Einphasige Anschlüsse



**Wichtige Information:** Ihre Davey Pumpe verfügt über einen doppelt isolierten Wasserkreislauf. Wenn eine Potentialausgleichsvorrichtung erforderlich ist, wird ein Potentialausgleichs-Punkt mitgeliefert. (Bitte beachten Sie die örtlichen Standards und Vorschriften zur Verdrahtung wie AS/NZ 3000).



#### **HINWEIS:**

1. Stellen Sie sicher, dass die Stromversorgung des Motors mit dem auf dem Typenschild angegebenen Wert übereinstimmt.
2. Vermeiden Sie lange Verlängerungskabel, da diese zu erheblichem Spannungsabfall und zu Betriebsproblemen führen können.
3. Obschon der Davey-Elektromotor speziell für verschiedene Spannungsversorgungsbereiche entwickelt wurde, werden Funktionsstörungen oder Ausfälle durch widrige Spannungsversorgungsbedingungen nicht von der Garantie gedeckt.
4. Die Netzanschlüsse und Verdrahtung müssen von einem qualifizierten Elektriker vorgenommen werden.
5. Im Interesse Ihrer eigenen Sicherheit empfehlen wir, dass alle Marken und Typen von Poolpumpen gemäß den Anschlussvorschriften AS3000 oder gleichwertigen Reglementierungen installiert werden.
6. Stellen Sie sicher, dass es einen einfach zugänglichen Trennschalter gibt, mit dem sich die Pumpe im Notfall ausschalten lässt.

Davey Silensor Schwimmbadpumpen sind für den Anschluss an ein Stromversorgungsnetz mit einer Nennspannung von 220/240 Volt/50Hz geeignet.

Die Pumpe wird in Europa mit einem 3 Meter langen Kabel geliefert, das von einem Elektriker angeschlossen werden muss.

In Australien und Neuseeland sind sie mit einem Netzkabel und einem 3-poligen Stecker ausgestattet. Wenn für die Pumpe in einem Umkreis von 3 Metern kein Spannungsanschluss verfügbar ist, muss der Elektriker an einem sicheren, trockenen Ort einen 3-poligen Stromanschluss installieren. Verlängerungskabel im Poolbereich sind eine Gefahr und sollten vermieden werden.

Stellen Sie immer sicher, dass das mitgelieferte Erdungskabel ausreichend geerdet ist. Wenn das Netzkabel des Produkts beschädigt ist, muss es durch den Händler oder Hersteller ausgetauscht werden.



### 4.1.1 Verdrahtungen

Wie Sie Ihre Pumpe richtig installieren, entnehmen Sie bitte dem folgenden Schema.

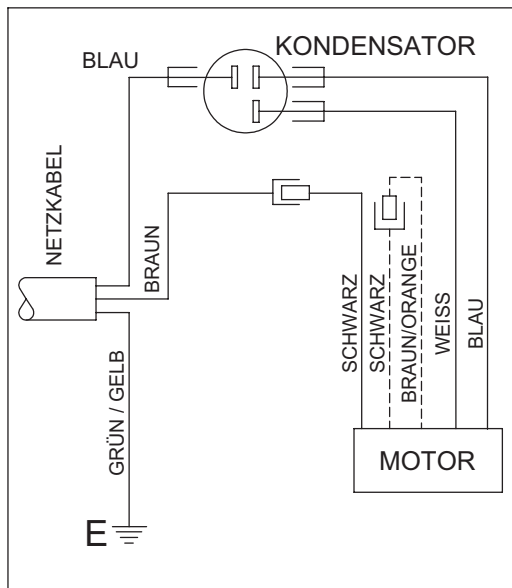


Abbildung 4.1

Alle einphasigen Silensor-Modelle verfügen über einen integrierten thermischen Überlastschutz mit manueller Rücksetzung, d.h. dass der Überlastschutz bei einer Überlastung des Motors die Öffnung des Kreislaufs und die Ausschaltung des Motors auslöst, der Motor jedoch nicht automatisch zurückgesetzt und wieder eingeschaltet wird, bis die Spannungszufuhr des Motors manuell aus- und wieder eingeschaltet wurde.

### 4.2 Dreiphasige Anschlüsse

Dreiphasige Modelle sind für den Anschluss an ein Stromversorgungsnetz mit einer Nennspannung von 400 V konzipiert, müssen jedoch mit einem auf 4,3 Ampere eingestellten schnell auslösenden Schütz (oder Überlast-Auslöseklasse 10) verkabelt werden.

Davey empfiehlt die Verwendung eines Überlastschutzes, der ebenfalls Einzelphasen- oder Phasenausfallbedingungen in der Stromversorgung erkennt.



1. Verbinden Sie das Anschlusskabel mit der dreiphasigen Stromversorgung, achten Sie dabei auf den korrekten Anschluss der Drähte.
2. Prüfen Sie die korrekte Pumpenrotation wie folgt: Entfernen Sie die Schraube und Scheibe (1) an der Rückseite der Pumpe mit einem Steckschlüsseinsatz (1/2") und nehmen Sie die hintere Abdeckung der Pumpe ab (2).
3. Prüfen Sie, dass die dreiphasige Verdrahtung korrekt ist, indem Sie das Kabel an das Stromnetz anschließen und sicherstellen, dass sich die Motorwelle korrekt im Uhrzeigersinn

dreht. Auf dem Schild auf der Rückseite befindet sich ein Richtungspfeil (5).

4. Verstauen Sie Drähte und Klemmleiste wieder vorsichtig im Kondensatorgehäuse und vergewissern Sie sich, dass alle Kabel untergebracht sind und nicht von der Rückseitenabdeckung eingequetscht werden.
5. Bringen Sie die Rückseitenabdeckung der Pumpe wieder an und befestigen Sie sie mit Schraubenmutter und Scheibe. Stellen Sie sicher, dass die Pumpe nicht auf dem Kabel steht.

### 4.2.1 Verdrahtungen

Wie Sie Ihre Pumpe richtig installieren, entnehmen Sie bitte dem folgenden Schema.

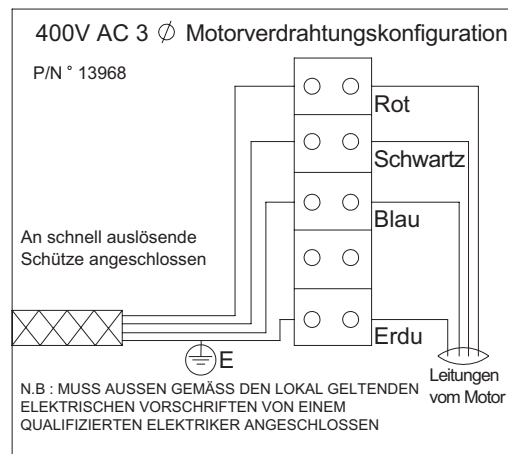


Abbildung 4.2



**HINWEIS: NUR FÜR DREIPHASIGE MODELLE**  
Vor Abschluss der Verdrahtungen und vor dem Ansaugen der Pumpe prüfen, dass sich der Motor in Pfeilrichtung dreht (im Uhrzeigersinn, wenn die Welle vom Verdrahtungsende gesehen wird). Zur Änderung der Drehrichtung zwei beliebige Stromkabel an den Motorklemmen wechseln.



Wenn die Einheit angeschlossen und in Betrieb ist, sollte das Phasengleichgewicht geprüft werden. Dies sollte nicht um mehr als 5 % variieren. Das „Aufwickeln“ der Kabel kann ein leichtes Ungleichgewicht ausgleichen, eine große Phasenasymmetrie wird jedoch in der Regel durch eine unsymmetrische Eingangsleistung hervorgerufen. Dies muss vor der Benutzung der Pumpe behoben werden. Die Fassverschraubungen des Rohrleitungsanschlusses müssen per Hand angezogen werden. Dichtungsmittel, Kleber oder Silikone werden nicht benötigt.

Siehe umseitige Abbildung 4.3 und 4.4

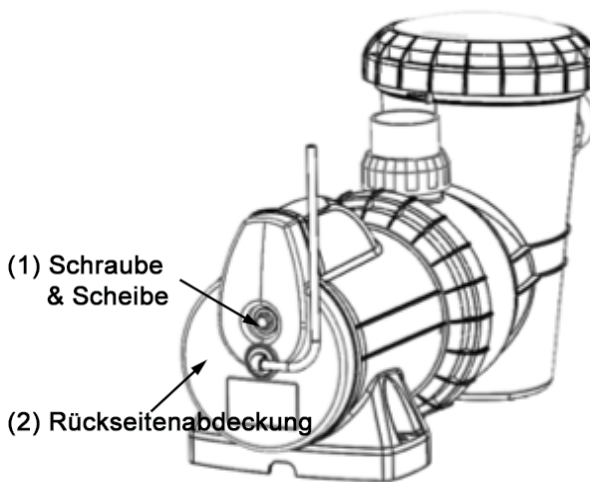


Abbildung 4.3

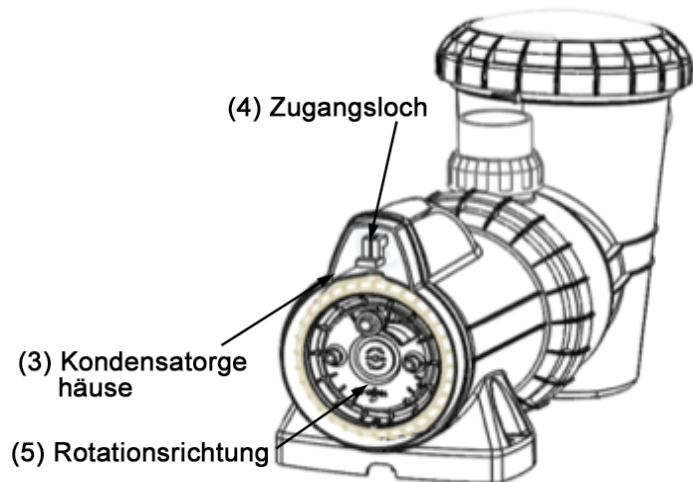


Abbildung 4.4

## 5. ROHRANSCHLÜSSE

Für den Anschluss an die Rohrleitung aus dem Becken ist ein Satz geeigneter (europäischer oder australischer) Fassverschraubungen vorgesehen. Die Pumpen sind für die folgenden PVC-Rohre geeignet (Anschluss des Rohrs innen oder außen an das Verbindungsstück). Die Verwendung von Rohren mit geringerem Durchmesser als angegeben wird nicht empfohlen. Die Ansaugverbindungen sollten frei von Luftlecks, Höckern und Hohlräumen sein, die Probleme beim Ansaugen verursachen. Die Auslassleitung vom Pumpenausgang sollte an den Eingangsanschluss des Poolfilters (in der Regel am Filterregelventil) angeschlossen werden.

### 5.1 Australien und Neuseeland

Modell	PVC-Einlass	Position	PVC-Auslass	Position
<b>SLS100-300</b>	Rohr 1,5" oder Verbindungsstück 2"	ID OD	Rohr 1,5" oder Verbindungsstück 2"	ID OD
<b>SLL200</b>	Rohr 1,5" oder Verbindungsstück 2" oder Rohr 2"	ID OD ID	Rohr 1,5" oder Verbindungsstück 2" oder Rohr 2"	ID OD ID
<b>SLL300/400</b>	Rohr 1,5"	ID	Rohr 2"	ID

### 5.2 Europa

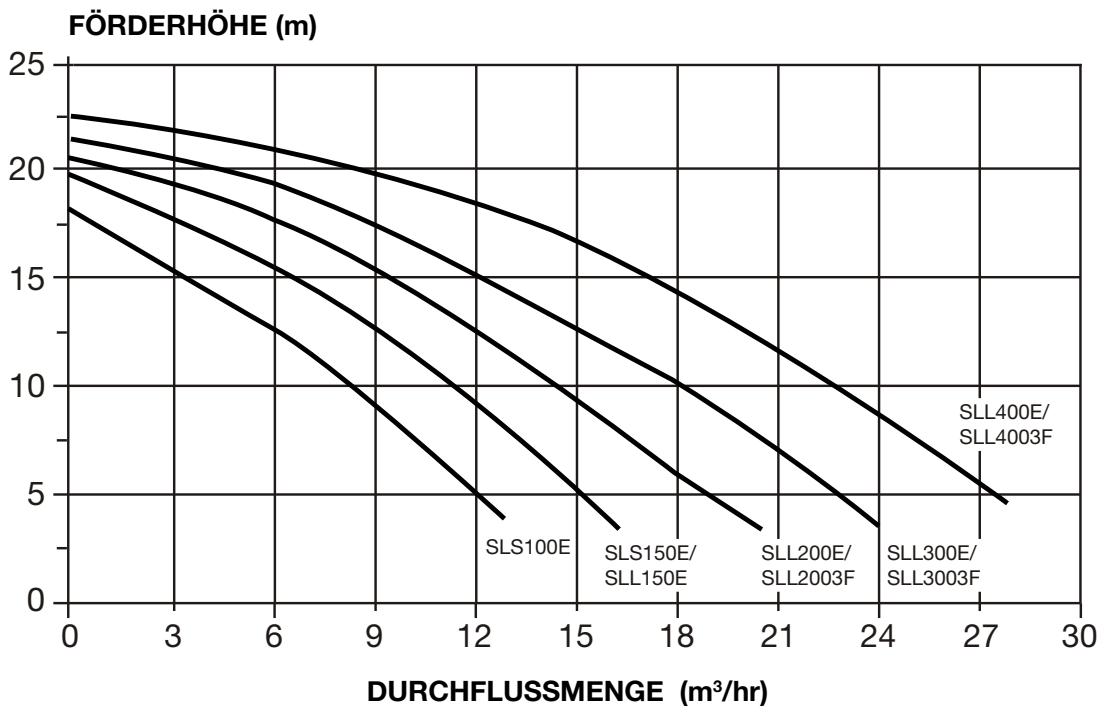
Modell	PVC-Einlass	Position	PVC-Auslass	Position
<b>SLS100E, SLS150E</b>	Rohr 1,5" (50 mm) oder Verbindungsstück 2" (63 mm)	ID OD	Rohr 1,5" (50 mm) Verbindungsstück 2" (63 mm)	ID OD
<b>SLL150E, SLL200E, SLL2003F</b>	Rohr 1,5" (50 mm) oder Verbindungsstück 2" (63 mm) oder Rohr 2" (63mm)	ID OD ID	Rohr 1,5" (50 mm) Verbindungsstück 2" (63 mm) Rohr 2" (63mm)	ID OD ID
<b>SLL300E, SL- L400E, SLL3003F, SLL4003F</b>	Rohr 2" (63mm)	ID	Rohr 2" (63mm)	ID



Die Verschraubungen an diesem Produkt bestehen aus ABS. Manche PVC-Dichtungsmassen sind nicht mit ABS kompatibel. Prüfen Sie die Eignung der Dichtmasse vor der Verwendung. Fassverschraubungen müssen per Hand angezogen werden. Dichtungsmittel, Kleber oder Silikone werden nicht benötigt. Befinden sich Pumpe und Filter unterhalb des Beckenwasserspiegels, müssen Absperrventile in der Leitung zwischen Pumpe und Skimmer-Kasten und in der Rücklaufleitung vom Filter zum Becken eingebaut werden.

## 6. TECHNISCHE DATEN

### 6.1 Hydraulische Leistung



### 6.2 Elektrische Daten

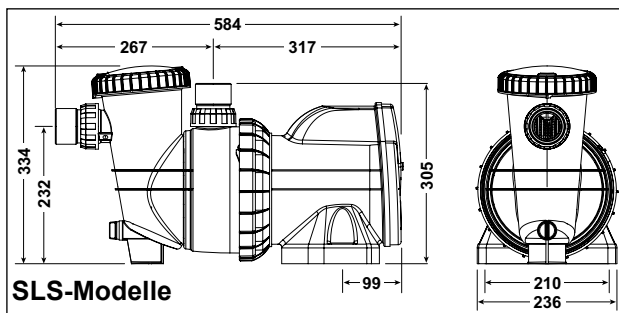
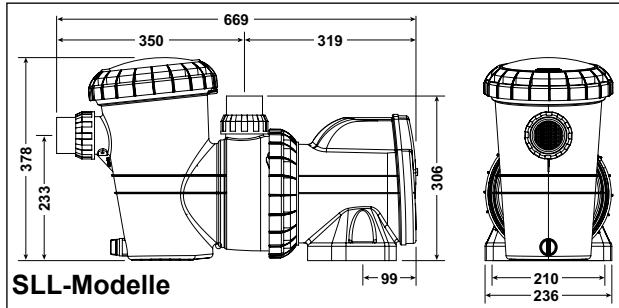
	EINPHASIGES							
Modell	SLS100(E)	SLS150(E)	SLS200	SLS300	SLL150(E)	SLL200(E)	SLL300(E)	SLL400(E)
Spannung (V)	220 - 240 ~							
Netzfrequenz (Hz)	50							
Eingangsleistung P <sub>1</sub> (W/hp)	740/1,0	860/1,2	1090/1,5	1400/1,9	860/1,2	1130/1,5	1400/1,9	1760/2,4
Ausgangsleistung P <sub>2</sub> (W/hp)	525/0,7	620/0,8	775/1,0	960/1,3	620/0,8	830/1,1	960/1,3	1200/1,6
Nenngeschwindigkeit (U/min)	2.850							
Gehäuseklasse (IP)	56							
Isolierungsklasse	F							
Genehmigung Nr.	A/10EA							
Kabellänge	3 m							

	DREIPHASIG		
Modell	SLL2003F	SLL3003F	SLL4003F
Spannung (V)	380 - 440 ~		
Netzfrequenz (Hz)	50		
Eingangsleistung P <sub>1</sub> (W/hp)	1090/1,5	1400/1,9	1760/2,4
Ausgangsleistung P <sub>2</sub> (W/hp)	830/1,1	960/1,3	1200/1,6
Nenngeschwindigkeit (U/min)	2.850		
Gehäuseklasse (IP)	56		
Isolierungsklasse	F		
Genehmigung Nr.	A/10EA		
Kabellänge	3 m		

## 6.3 Betriebsgrenzen

Modell	SLS100(E)	SLS150(E)	SLS200	SLS300	SLL150(E)	SLL200(E)	SLL300(E)	SLL400(E)
Max. Förderhöhe (m)	16	20	21	22	20	21	22	23
Max. Wassertemperatur	40 °C							
Max. Umgebungstemperatur	40 °C							
Geräuschpegel (AS 5102.2)	54 - 56 dBa							

## 6.4 Abmessungen



## 7. STARTEN DER PUMPE

Für einen effizienten Betrieb und zur Vermeidung von Schäden an der Pumpe ist ein freier Wasserdurchfluss zur und von der Pumpe erforderlich. Vergewissern Sie sich vor dem Start der Pumpe, dass:

- alle Rohrleitungen vollkommen dicht sind.
  - der Wasserpegel im Pool/Spa auf der korrekten Höhe ist.
  - alle entsprechenden Ventile offen sind und nichts den Wasserdurchfluss durch das System behindert.
1. Füllen Sie die Pumpe zunächst vor, indem Sie die Siebkorbabdeckung entfernen und den Siebkorbereich mit Wasser füllen. Setzen Sie den Deckel wieder auf und vergewissern Sie sich, dass er den großen O-Ring abdichtet.
  2. Schließen Sie das Gerät an die Stromversorgung an und schalten Sie es ein.
  3. Lassen Sie die Pumpe laufen, sodass eventuell eingeschlossene Luft entweichen kann.
  4. Falls die Saugleistung der Pumpe, die sich durch einen starken Wasserdurchfluss auszeichnet, nicht innerhalb von ca. zwei Minuten aufgebaut ist, schalten Sie die Pumpe ab und wiederholen Sie den Vorgang. Anhaltende Anzeichen von Luft unter der Siebkorbabdeckung deuten auf einen Luftaustritt in der Saugleitung hin, der behoben werden sollte, um eine Beschädigung der Pumpe zu vermeiden.

## 8. PUMPENBETRIEB

Für eine optimale Leistung der Pumpe sollte das Siebkorbgehäuse stets mit Wasser gefüllt und frei von Luftblasen sein. Der Wasserpegel im Pool sollte immer mindestens auf halber Höhe des Skimmer-Kastens sein, um sicherzustellen, dass stets Wasser in der Pumpe ist. Von Zeit zu Zeit kann ein erneutes Vorfüllen der Pumpe erforderlich sein. Dieser Vorgang sollte wie oben beschrieben durchgeführt werden.



**Lassen Sie die Pumpe niemals trocken laufen. Ein Trockenlauf der Pumpe kann die Gleitringdichtungen beschädigen und zu einem Leck oder einer Überschwemmung führen. Schäden durch Trockenlauf oder damit zusammenhängende Schäden werden von der Garantie nicht gedeckt. Der Silensor verfügt über einen integrierten Trockenlaufschutz, der durch Abschalten der Stromversorgung zurückgestellt werden muss und die Gefahr möglicher Schäden durch Trockenlauf verringert.**

### 8.1 Siebkorb entleeren

Der Siebkorb sollte regelmäßig durch den Klarsichtdeckel inspiziert und entleert werden, wenn eine Anhäufung von Abfällen erkennbar ist. Befolgen Sie die Anweisungen unten.

1. Schalten Sie die Pumpe aus.
2. Schließen Sie alle Ventile in den Rohrleitungen.
3. Schrauben Sie den Siebkorbdeckel gegen den Uhrzeigersinn ab und nehmen Sie ihn ab.
4. Entfernen Sie den Siebkorb, indem Sie ihn nach oben aus dem Gehäuse heben.
5. Entleeren Sie den eingefangenen Müll aus dem Korb. Spülen Sie ihn bei Bedarf mit Wasser aus.
6. Prüfen Sie den Siebkorb auf Risse, tauschen Sie den Siebkorb in der Pumpe ggf. aus.
7. Setzen Sie den Deckel wieder auf und vergewissern Sie sich, dass er den großen O-Ring aus Gummi abdichtet. Es ist nur eine handfeste Abdichtung erforderlich. Der O-Ring und das Gewinde können mit Hydra-Slip oder gleichwertigen Produkten geschmiert werden.
8. Öffnen Sie alle Ventile in den Rohrleitungen.



**Die Nichteinhaltung der regelmäßigen Wartung kann zu Schäden führen, die nicht unter die Garantie fallen.**

## 9. FEHLERBEHEBUNG

**Wenn die Pumpe läuft, aber kein Wasserfluss vorhanden ist oder der Wasserfluss reduziert wird, kann die folgende Bedingung gelten:**

1. Der Filter muss rückgespült werden oder ist verstopft. Für mehr Informationen dazu schauen Sie in den entsprechenden Abschnitt im Handbuch des Filters.
2. Die Pumpe ist nicht vorgefüllt. Füllen Sie sie erneut vor, wie in der Anleitung unter „Starten der Pumpe“ beschrieben wird.
3. Es gibt Luftlecks in den Saugleitungen. Überprüfen Sie alle Leitungen und beseitigen Sie Lecks, überprüfen Sie auch, dass der Siebkorbdeckel nicht lose ist. Luftblasen im Wasser, die in das Becken zurückfließen, werden durch ein Leck im Ansaugweg zur Pumpe erzeugt, das Luft in die Rohrleitungen lässt.
4. Eine undichte Dichtung der Pumpenwelle kann ebenfalls den Betrieb verhindern. Wasser auf dem Boden unter der Pumpe kann darauf hinweisen.
5. Die Pumpe ist nicht in der Lage, Wasser aus dem Becken zu pumpen. Überprüfen Sie, dass die Ventile zur Pumpe vollständig geöffnet sind und der Wasserpegel des Beckens bis zum Skimmer-Kasten reicht.
6. Verstopfung in der Rohrleitung oder Pumpe. Entfernen Sie den Siebkorb und prüfen Sie, ob der Eingang zum Flügelrad der Pumpe verstopft ist. Überprüfen Sie den Skimmer-Kasten auf Verstopfungen.

**Wenn die Pumpe nicht läuft, können folgende Szenarien zutreffen:**

1. Strom ist nicht angeschlossen. Nur bei 240 Volt (einphasig): Prüfen Sie die Stromversorgung, indem Sie ein tragbares Gerät anschließen, um zu überprüfen, dass Strom verfügbar ist. Überprüfen Sie auch die Sicherungen und den Hauptschalter der Stromversorgung.
2. Der automatische Überlastschutz wird nach einer Überhitzungsphase ausgelöst. Die Pumpe ist mit einem integrierten thermischen Überlastschutz ausgestattet, der zurückgesetzt wird, sobald der Motor sich abgekühlt hat und die Stromversorgung zurückgesetzt (aus- und wieder eingeschaltet) wurde. Bestimmen Sie die Ursache der Auslösung des Überlastschutzes und beheben Sie sie.
3. Blockierung der Drehung der Pumpe.
4. Durchgebrannter Motor - deutlicher Brandgeruch. Austausch erforderlich.

Sollten Sie Installations- oder Betriebsschwierigkeiten mit Ihrem Silensor nicht beheben können, wenden Sie sich bitte an den Händler, von dem Sie die Pumpe gekauft haben, oder an die nächstgelegene zugelassene Davey-Geschäftsstelle für Poolausrüstungen. Sollten Sie weitere Hilfe benötigen, können Sie das Davey-Kundenservicecenter unter der in dieser Anleitung angegebenen Adresse kontaktieren.

## 10. ENTFERNUNG DER PUMPE VON DEN ROHRLEITUNGEN

Sollte es notwendig sein, die Pumpe zu entfernen, befolgen Sie bitte diese Anweisungen:

1. Schalten Sie das Gerät aus und ziehen Sie den Stecker aus der Steckdose.



**HINWEIS: Wenn die Pumpe mit einer Zeitschaltuhr oder einer anderen automatischen Steuerung verbunden ist, sollte die Verkabelung von einem qualifizierten Elektriker entfernt werden.**

2. Schließen Sie die Wasserventile am Beckenrücklauf und an der Einlassleitung der Pumpe.
3. Entfernen Sie die Druck- und Saugrohrverschraubungen und achten Sie darauf, dass die O-Ringe nicht verloren gehen.
4. Verschieben Sie die Verrohrung mit den Fassverschraubungen, bis die Pumpe frei gezogen werden kann.



**HINWEIS: Bei Anfragen zu Ihrem Silensor geben Sie bitte unbedingt die Modellnummer auf dem Typenschild des Motors an.**

## 11. WASSERQUALITÄT

Die Aufrechterhaltung einer ausgewogenen Wasserchemie ist wichtig für die Lebensdauer Ihrer Schwimmbadpumpe. Diese Pumpe ist für den Einsatz mit Pool- & Spa-Wasser konzipiert, das anhand des Langlier-Sättigungsindexes ausbalanciert ist und einen pH-Wert zwischen 7,2 und 7,8 aufweist und regelmäßig mit einem Chlordesinfektionsmittel mit einem Gehalt von nicht mehr als 3 ppm behandelt wird.

Bitte konsultieren Sie regelmäßig Ihren örtlichen Poolzubehörhändler, um Ihr Wasser testen zu lassen.



**Routinemäßige Wartungsarbeiten** – um die Lebensdauer Ihrer Poolausrüstung und die persönliche Sicherheit zu maximieren, verwenden Sie diese Checkliste einmal pro Woche. Schalten Sie zuerst die Pumpe aus.

- a. Stellen Sie sicher, dass sich alle Manometer im Betriebszustand befinden und der Betriebsdruck innerhalb der auf dem Produkt angegebenen Grenzen liegt.
- b. Vergewissern Sie sich, dass jeder Ansaug- und Hauptablass mit einer Abdeckung versehen ist, die sicher befestigt ist und sich in einem sicheren Betriebszustand befindet.
- c. Stellen Sie sicher, dass alle Abdeckungen des Skimmers sicher befestigt sind und sich in einem sicheren Betriebszustand befinden. Diese sollten alle 3 bis 4 Jahre ausgetauscht werden.
- d. Entfernen Sie alle Hindernisse oder Fremdkörper von der Hauptablaufabdeckung.
- e. Stellen Sie sicher, dass die Skimmer-Körbe und die Haar- und Fusseltöpfe der Pumpe mindestens einmal pro Woche von Laub und Schmutz befreit werden.
- f. Entfernen Sie Hindernisse und brennbare Stoffe rund um den Pumpenmotor.
- g. Vergewissern Sie sich, dass alle Kabelverbindungen sauber und alle Kabel und elektrischen Geräte in gutem Zustand sind. Beschädigte Leitungen müssen von einem qualifizierten Elektriker repariert oder ersetzt werden, sobald Schäden festgestellt werden.
- h. Überprüfen Sie den Wasserhaushalt und die Desinfektionsmittelstände in Ihrem örtlichen Poolzubehörgeschäft.



Die elektrischen Anschlüsse und Prüfungen müssen von einem qualifizierten Elektriker durchgeführt werden und den geltenden lokalen Vorschriften entsprechen. Eine mangelhafte Installation oder schlechte Stromversorgung kann sogar zu elektrischen Bränden führen!



**GEFAHR - Gefährlicher Sog.** Blockieren Sie den Wassereintritt in das Filtersystem nicht mit irgendeinem Teil Ihres Körpers, da der Druck Haare oder Körperteile einfangen und zu schweren Verletzungen oder Tod führen kann. Den Absaugstutzen nicht blockieren. Schalten Sie die Pumpe sofort aus, wenn jemand gefangen ist.



Vorsicht! Geben Sie keine Chemikalien direkt in den Skimmer. Das Hinzufügen von unverdünnten Chemikalien kann die Pumpe und den Filter beschädigen und zum Verlust der Garantie führen.



**WARNUNG!** Der Saugdruck der Pumpe ist gefährlich und kann Badegäste erfassen und ertränken oder ausweiden. Den Absaugstutzen nicht blockieren. Verwenden oder betreiben Sie keine Schwimmbäder, Spas oder Spa-Bäder, wenn eine Saugabdeckung gebrochen ist, fehlt oder lose ist. In jede Pumpe müssen zwei Saugabdeckungen und -Einlässe eingebaut werden, um ein Einklemmen des Saugers zu vermeiden.



# Davey-Garantie

Davey Water Products Pty Ltd (Davey) garantiert, dass alle verkauften Produkte (bei normalem Gebrauch und Betrieb) für einen Mindestzeitraum von einem (1) Jahr ab ursprünglichem, auf der Rechnung angegebenen Datum des Kaufs durch den Kunden frei von Material- und Verarbeitungsfehlern sind. Besuchen Sie für spezifische Garantiezeiten aller Davey-Produkte [daveywater.com](http://daveywater.com).

Diese Garantie gilt nicht für normalen Verschleiß oder für Produkte:

- die Gegenstand von Missbrauch, Vernachlässigung, Fahrlässigkeit, Beschädigung oder Unfall waren
- die anders als den Anweisungen von Davey entsprechend verwendet, betrieben oder gewartet wurden
- die nicht gemäß den Installationsanweisungen oder von entsprechend qualifiziertem Personal installiert wurden
- die gegenüber den ursprünglichen Vorgaben oder auf irgendeine von Davey nicht genehmigte Art und Weise modifiziert oder abgeändert wurden
- bei denen Reparaturen von anderen als von Davey oder seinen hierzu berechtigten Händlern versucht oder vorgenommen wurden
- die anormalen Bedingungen ausgesetzt wurden, wie falscher Stromspannung, Blitzschlag oder Hochspannungsspitzen oder Schäden durch Elektrolyse, Kavitation, Sand, ätzende, salzhaltige oder abrasive Flüssigkeiten.

Die Davey-Garantie umfasst nicht den Ersatz von Produkten, Verbrauchsmaterialien oder Defekten an Produkten und Komponenten, die Davey von Dritten geliefert wurden (Davey bietet jedoch angemessene Unterstützung für das Erlangen der Garantieleistungen Dritter).

Um Gewährleistungsansprüche geltend zu machen:

- Wenn Sie bei einem Produkt einen Defekt vermuten, verwenden Sie es nicht weiter und kontaktieren Sie die ursprüngliche Verkaufsstelle. Wahlweise können Sie auch den Davey-Kundendienst anrufen oder Davey über die unten aufgeführte Adresse schreiben
- Legen Sie Belege oder Beweise für das Kaufdatum vor
- Falls Sie dazu aufgefordert werden, senden Sie das Produkt zurück und/oder liefern Sie weitere Informationen zum Schadensfall. Die Kosten und die Verantwortung für die Rücksendung gehen zu Ihren Lasten.
- Der Garantieanspruch wird von Davey auf Grundlage der eigenen Produktkenntnisse und vernünftigem Ermessen beurteilt und akzeptiert, sofern:
  - ein relevanter Defekt gefunden wurde
  - der Garantieanspruch innerhalb des entsprechenden Garantiezeitraums geltend gemacht wurde; und
  - keine der oben genannten Ausschlusskriterien zur Anwendung kommen

- Der Kunde wird schriftlich über die Entscheidung zu einem Garantieanspruch benachrichtigt, und falls sich dieser als unberechtigt erweist, muss der Kunde für die Rückholung des Produkts auf eigene Kosten sorgen oder seine Zustimmung zur Beseitigung geben.

Sollte der Anspruch sich als berechtigt erweisen, repariert oder ersetzt Davey nach eigenem Ermessen das Produkt kostenlos.

Die Davey-Garantie gilt zusätzlich zu dem vor Ort geltenden Verbraucherrecht. Bei schwerwiegenden Fehlern haben Sie Anspruch auf Ersatz oder Rückerstattung und auf Entschädigung für jeden anderen vernünftigerweise vorhersehbaren Verlust oder Schaden. Sie haben auch das Recht, die Ware repariert oder ersetzt zu bekommen, wenn die Ware nicht von akzeptabler Qualität ist und es sich nicht um einen schwerwiegenden Fehler handelt.

Bei allen mit dem Internet verbundenen Produkten ist der Verbraucher eine stabile Internetverbindung verantwortlich. Bei einem Ausfall des Netzwerks muss der Verbraucher den Umstand seinem Dienstanbieter melden. Die Verwendung einer App befreit den Verbraucher nicht davon, aufmerksam zu verfolgen, ob das Produkt den Erwartungen gerecht wird. Die Verwendung der Smartphone-App erfolgt auf Risiko des Benutzers. Soweit gesetzlich zulässig, lehnt Davey jegliche Gewährleistung hinsichtlich der Richtigkeit, Vollständigkeit oder Zuverlässigkeit von App-Daten ab. Davey trägt keine Verantwortung für direkte oder indirekte Verluste, Schäden oder Kosten für den Benutzer, die aus der Abhängigkeit von einer Internetverbindung hervorgehen. Der Benutzer stellt Davey von jeglichen Ansprüchen oder rechtlichen Schritten seitens des Benutzers oder anderer Personen frei, die sich auf Internetverbindungen oder App-Daten stützen.

Zur Reparatur vorgelegte Waren werden u.U. nicht repariert, sondern durch instandgesetzte Waren desselben Typs ersetzt. Zur Reparatur von Produkten können instandgesetzte Teile benutzt werden. Die Reparatur Ihrer Produkte kann den Verlust aller vom Benutzer erstellten Daten zur Folge haben. Bitte stellen Sie sicher, dass sie von allen auf Ihren Produkten gespeicherten Daten eine Kopie angefertigt haben.

Soweit gesetzlich zulässig, haftet Davey nicht für entgangenen Gewinn oder Folgeschäden, indirekte oder spezielle Verluste, Schäden oder Verletzungen jeglicher Art, die direkt oder indirekt durch Davey-Produkte entstehen. Diese Einschränkung betrifft nicht Daveys Haftung für die Nichterfüllung der für Ihr Davey-Produkt gemäß der europäischen Gesetzgebung geltenden Verbrauchergarantie und beeinträchtigt weder die Rechte noch die Rechtsbehelfe, die Ihnen im Rahmen des europäischen Verbraucherrechts zustehen.

Eine vollständige Liste der Davey-Fachhändler finden Sie auf unserer Website ([daveyeurope.eu](http://daveyeurope.eu)), oder per Telefon unter:

## DAVEY

Davey Water Products Pty Ltd  
Member of the GUD Group  
ABN 18 066 327 517

[daveywater.com](http://daveywater.com)

### AUSTRALIEN

#### Head Office

6 Lakeview Drive,  
Scoresby, Australia 3179  
Ph: 1300 232 839  
Fax: 1300 369 119  
Email: [sales@davey.com.au](mailto:sales@davey.com.au)

### NEUSEELAND

7 Rockridge Avenue,  
Penrose, Auckland 1061  
Ph: 0800 654 333  
Fax: 0800 654 334  
Email: [sales@dwp.co.nz](mailto:sales@dwp.co.nz)

### EUROPA

7 rue Eugène Hénaff 69200  
Vénissieux, France  
Ph: +33 (0) 4 72 13 95 07  
Fax: +33 (0) 4 72 33 64 57  
Email: [info@daveyeurope.eu](mailto:info@daveyeurope.eu)

### NORDAMERIKA

Ph: 1-888-755-8654  
Email: [info@daveyusa.com](mailto:info@daveyusa.com)

### MITTLERER OSTEN

Ph: +971 50 6368764  
Fax: +971 6 5730472  
Email: [info@daveyuae.com](mailto:info@daveyuae.com)

\* Eine Kurzanleitung wird beim Neukauf zusammen mit dem Produkt geliefert. Detaillierte Betriebsanweisungen finden Sie auf [daveywater.com](http://daveywater.com). Scannen Sie dazu den QR-Code auf der Kurzanleitung bzw. dem Davey-Produktetikett (sofern vorhanden) oder kontaktieren Sie Ihre lokale Davey-Geschäftsstelle.



# DAVEY

**SILENSOR**<sup>®</sup> by **DAVEY**

## Pompe per piscina

Modelli:

SLS100, SLS100E, SLS150, SLS150E, SLS200, SLS300, SLL1503F,  
SLL150E, SLL200, SLL2003F, SLL200E, SLL300, SLL3003F, SLL300E,  
SLL400, SLL4003F, SLL400E

## Istruzioni di montaggio e di utilizzo



**ATTENZIONE:** La mancata osservanza delle presenti istruzioni e il mancato rispetto di tutti i codici applicabili possono causare gravi lesioni personali e/o danni alle cose.

L'installazione di questo prodotto deve essere eseguita da una persona che conosca a fondo i requisiti idraulici della piscina e che segua le istruzioni di installazione fornite nel presente manuale.

**Si prega di trasmettere le presenti istruzioni all'operatore di questa apparecchiatura.**

## **INDICE:**

<b>1. LA VOSTRA DAVEY SILENSOR .....</b>	<b>27</b>
<b>2. LUOGO .....</b>	<b>27</b>
<b>3. PROTEZIONE CONTRO LE INTEMPERIE .....</b>	<b>28</b>
<b>4. COLLEGAMENTI ELETTRICI .....</b>	<b>28</b>
Connessioni monofase .....	28
4.1.1. Connessione dei cavi .....	29
4.2 Collegamenti trifase.....	29
4.2.1. Connessione dei cavi .....	29
<b>5. CONNESSIONI DELLE TUBATURE .....</b>	<b>30</b>
5.1 Australia e Nuova Zelanda .....	30
5,2 Europa.....	30
<b>6. SPECIFICHE TECNICHE.....</b>	<b>31</b>
<b>SPECIFICHE TECNICHE .....</b>	<b>31</b>
6.2 Dati elettronici.....	31
6.3 Limiti operativi .....	32
6,4 Dimensioni.....	32
<b>7. AVVIO DELLA POMPA.....</b>	<b>32</b>
<b>8. FUNZIONAMENTO DELLA POMPA .....</b>	<b>32</b>
<b>9. RISOLUZIONE DEI PROBLEMI.....</b>	<b>33</b>
<b>10. RIMOZIONE DELLA POMPA DALLE TUBAZIONI .....</b>	<b>33</b>
<b>11. QUALITÀ DELL'ACQUA.....</b>	<b>34</b>
<b>GARANZIA DAVEY .....</b>	<b>36</b>

Prima di utilizzare la pompa è necessario assicurarsi che:

- La pompa dev'essere installata in un ambiente sicuro e asciutto
- L'involucro della pompa deve disporre di un drenaggio adeguato in caso di perdite
- Tutti i tappi di trasporto devono essere rimossi
- La tubazione dev'essere correttamente sigillata e supportata
- La pompa dev'essere correttamente innescata
- L'alimentatore dev'essere collegato correttamente
- Tutti i passaggi devono essere stati eseguiti per un funzionamento sicuro

Informazioni dettagliate adeguate per tutti questi elementi sono contenute nelle seguenti istruzioni di installazione e utilizzo. Leggere le presenti istruzioni nella loro interezza prima di accendere la pompa. Se non si è sicuri delle presenti istruzioni di installazione e utilizzo, contattare il rivenditore Davey o l'ufficio Davey appropriato, come indicato sul retro di questo documento.

## 1. LA VOSTRA DAVEY SILENSOR

Congratulazioni per avere acquistato un prodotto di qualità della gamma delle attrezzature per piscine e Spa di Davey. Le pompe per piscine Davey Silensor sono state progettate per far circolare l'acqua della piscina e della spa nelle condizioni stabilite dallo standard australiano (AS 3633) o equivalente locale per la qualità dell'acqua della piscina. Tali prodotti non devono essere utilizzati per altri scopi senza prima consultare il rivenditore Davey o il centro assistenza Davey. Per i dettagli di contatto, consultare il retro del presente manuale.

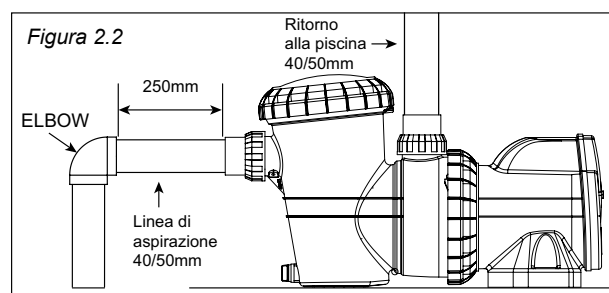
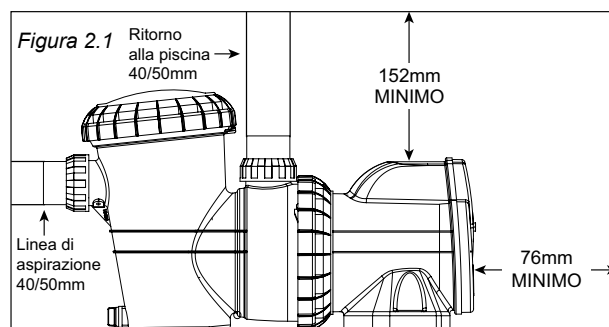
Davey progetta e realizza i propri motori elettrici specifici per le proprie pompe. Il motore e l'"estremità di pompaggio" combinati sono progettati per garantire un funzionamento estremamente silenzioso, permettendo il massimo flusso d'acqua. L'innovativo motore raffreddato ad acqua di Davey include una protezione dal sovraccarico manuale con termostato integrato automatico pensato per proteggere il motore dal surriscaldamento. Questa protezione eviterà anche i danni da "funzionamento a secco". Ogni pompa per piscine Davey Silensor viene accuratamente testata in base a un numero di parametri di pressione, tensione, corrente e prestazione meccanica. L'avanzata tecnologia di produzione delle pompe di Davey fornisce prestazioni di pompaggio affidabili ed efficienti che durano a lungo.

## 2. POSIZIONE

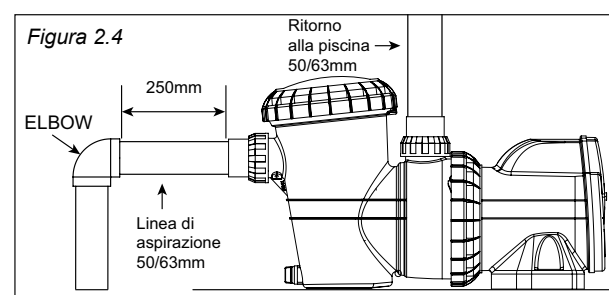
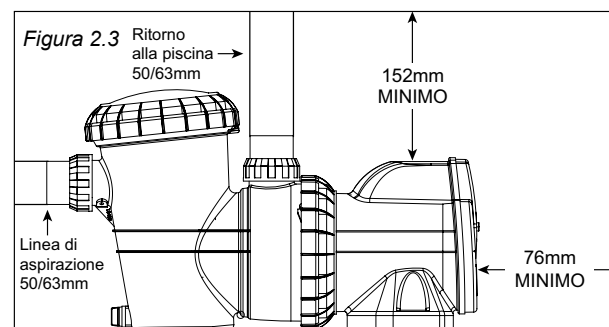
La pompa deve essere posizionata il più vicino possibile all'acqua e montata su una base stabile in una posizione ben drenata, sufficientemente alta da evitare qualsiasi allagamento. È responsabilità dell'installatore/proprietario posizionare la pompa

in modo che la targhetta identificativa possa essere facilmente letta e che la pompa possa essere facilmente accessibile per l'assistenza.

### Australia/Nuova Zelanda



### Europa



1. Non installare tubi a gomito a 90° direttamente sull'ingresso della pompa. I tubi a gomito non devono essere più vicini di 250mm all'ingresso.
2. I sistemi di aspirazione allagati devono avere valvole a saracinesca installate sulle tubazioni di aspirazione e di scarico per la manutenzione, tuttavia la valvola a saracinesca di aspirazione non deve trovarsi a meno di 250 mm dall'ingresso.

3. Utilizzare una valvola di ritegno nella linea di scarico quando si utilizza questa pompa per qualsiasi applicazione in cui vi sia un'altezza significativa verso l'impianto idraulico dopo la pompa.
4. Assicurarsi di installare le valvole di ritegno durante l'installazione in parallelo con un'altra pompa. Questo aiuta a prevenire la rotazione inversa della girante e del motore.

### 3. PROTEZIONE CONTRO LE INTEMPERIE

Si raccomanda che la pompa sia protetta dalle intemperie.



Conformemente a EN 60335.1 siamo tenuti a informarvi che questo apparecchio può essere utilizzato da bambini di età superiore a 8 anni e da persone con ridotte capacità fisiche, sensoriali o mentali o con mancanza di esperienza e conoscenza, a condizione che siano attentamente sorvegliati e istruiti riguardo all'uso in sicurezza dell'apparecchio, e siano consapevoli dei rischi coinvolti. Le operazioni di pulizia e manutenzione utente non devono essere effettuate da minori senza la supervisione di un adulto.

Conformemente alla norma AS/NZS60335.2.41 siamo tenuti a informarvi che questa pompa non deve essere usata da bambini o persone inferme e non deve essere usata come un giocattolo dai bambini.

### 4. COLLEGAMENTI ELETTRICI



**NOTA:** La pompa deve essere dotata di un dispositivo di corrente residua (RCD) con una corrente di funzionamento residua nominale non superiore a 30 mA.

#### 4.1 Connessioni monofase



**Informazioni importanti:** La vostra pompa Davey è doppiamente isolata al circuito dell'acqua. Se è necessario una struttura di collegamento equipotenziale, allora viene fornito un punto di collegamento equipotenziale. (Fare riferimento a statuti e/o normative locali per le norme di Cablaggio equivalenti ad AS/NZ 3000).



#### **NOTA:**

1. Assicurarsi che il motore sia collegato all'alimentazione indicata sulla targhetta.
2. Evitare prolunghie perché possono determinare un calo significativo di tensione e problemi operativi.
3. Anche se il motore elettrico Davey è specificatamente progettato per funzionare su una gamma di tensioni di alimentazione, i malfunzionamenti o i guasti causati da condizioni di alimentazione di tensione negative non sono coperti da garanzia.
4. I collegamenti elettrici e i cablaggi devono essere eseguiti da un elettricista autorizzato.
5. Nell'interesse della sicurezza, consigliamo di installare tutte le marche e i tipi di pompe per piscine in conformità alle norme di cablaggio AS3000 o equivalenti
6. Assicurarsi che un interruttore di isolamento elettrico sia facilmente accessibile in modo che la pompa possa essere spenta in caso di emergenza.

Le pompe per piscine Davey Silensor sono adatte per il collegamento a un alimentatore nominale da 220-240 volt / 50 Hz.

In Europa, la pompa viene fornita con un cavo di 3 metri che deve essere collegato da un elettricista.

In Australia e Nuova Zelanda, sono dotati di un cavo flessibile e di una spina a 3 poli. Se una presa di corrente non è disponibile entro 3 metri dalla pompa, potrebbe essere necessario che l'elettricista provveda a un'adeguata presa di corrente tripolare in un luogo sicuro e asciutto. Le prolunghie non sono sicure intorno alle piscine e dovrebbero essere evitate.

Assicurarsi sempre che il conduttore di terra incluso sia collegato a una buona messa a terra. Se il cavo di alimentazione di questo prodotto è danneggiato, deve essere sostituito dal rivenditore o dal produttore.

### 4.1.1 Connessioni dei cavi

Fare riferimento al seguente schema per avere informazioni su come installare correttamente la pompa.

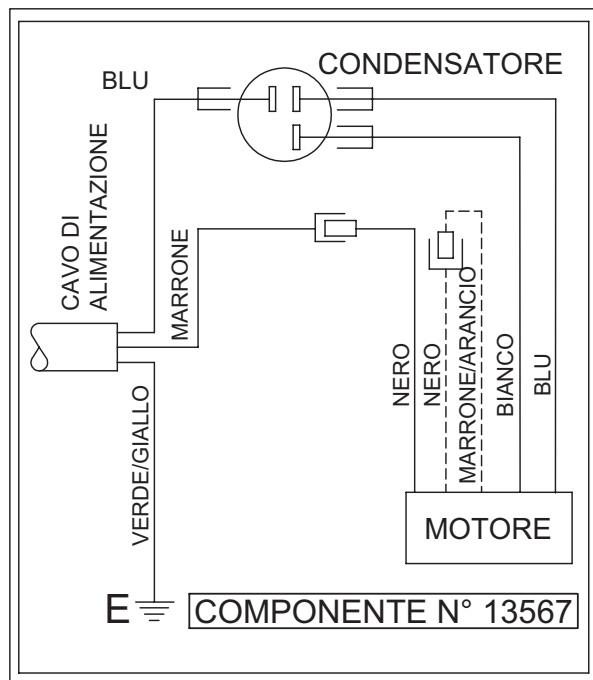


Figura 4.1

Tutti i modelli di Silensor monofase hanno una protezione dal sovraccarico termico con ripristino manuale integrata, quindi, qualora un sovraccarico del motore facesse sì che l'interruttore termico aprisse il circuito e facesse spegnere il motore, non sarà ripristinato e il motore non si riaccenderà fino a quando l'alimentazione sul motore non sarà stata spenta e riaccesa.

### 4.2 Connessione a tre fasi.

I modelli trifase sono progettati per essere collegati a un'alimentazione nominale di 400V, ma devono essere cablati con un contattore con sovraccarichi "quick-trip" (o M10) impostati a 4,3 ampere.

Davey consiglia di utilizzare sensori di sovraccarico che siano in grado di rilevare anche le condizioni di "fase singola" o "riduzione di fase" sull'alimentazione.



**NOTA: I motori trifase non hanno condensatori inseriti nel coperchio del condensatore.**

1. Collegare il cavo fornito con l'alimentazione principale 3-fase, facendo attenzione a collegare i cavi corretti.
2. Verificare la rotazione corretta della pompa: Rimuovendo il dado e la rondella (1) dal retro della pompa usando una chiave da 1/2" e rimuovendo la protezione posteriore della pompa (2).

3. Verificare che il cablaggio trifase sia corretto collegando il cavo all'alimentazione e assicurarsi che l'albero del motore ruoti correttamente in senso orario. Sulla protezione posteriore si può trovare una freccia direzionale (5).
4. Adattare con attenzione il cablaggio e il blocco morsetti nell'alloggiamento del condensatore, assicurandosi che tutti i cavi siano alloggiati in modo che la copertura posteriore non catturi i cavi quando viene messa al suo posto.
5. Riposizionare la protezione posteriore della pompa e fissarla con dado e rondella. Assicurarsi che la pompa non poggi sul cavo.

### 4.2.1 Connessioni dei cavi

Fare riferimento al seguente schema per avere informazioni su come installare correttamente la pompa.

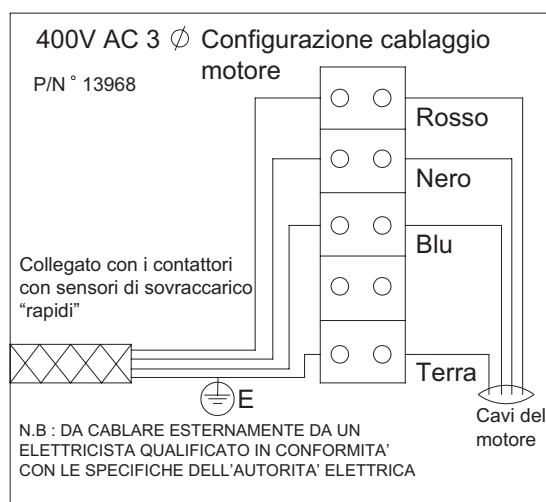


Figura 4.2



**NOTA: SOLO MODALLI A TRE FASI**  
Prima di finalizzare i collegamenti elettrici e prima di adescare la pompa, controllare che il motore ruoti nella direzione della freccia (in senso orario quando il L'albero è visto dall'estremità della connessione di cablaggio). Per modificare la rotazione, Cambiare due cavi di alimentazione qualsiasi ai terminali del motore.



Quando l'unità è collegata e operativa occorre verificare il bilanciamento di fase. Questo deve presentare una varianza inferiore al 5%. "Far rotolare" i cavi può aiutare a migliorare una lieve mancanza di equilibrio, ma uno sbilanciamento di fase maggiore di solito sarà da attribuire a uno sbilanciamento della tensione in ingresso. Questo problema va risolto prima di usare la pompa. Le valvole a sfera devono essere serrate a mano. Non sono richiesti sigillanti, colle o siliconi.

Vedi Figura 4.3 e 4.4 sul retro.

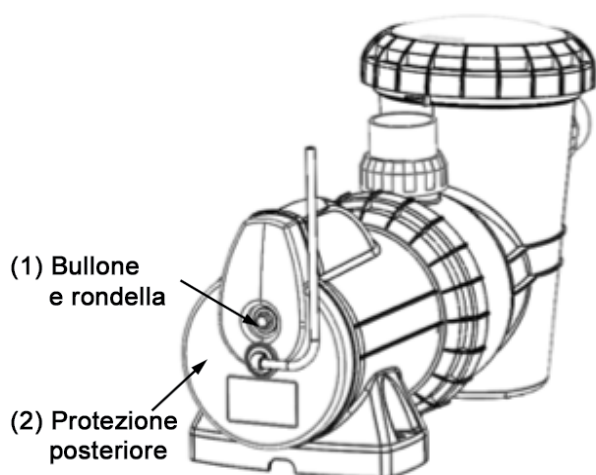


Figura 4.3

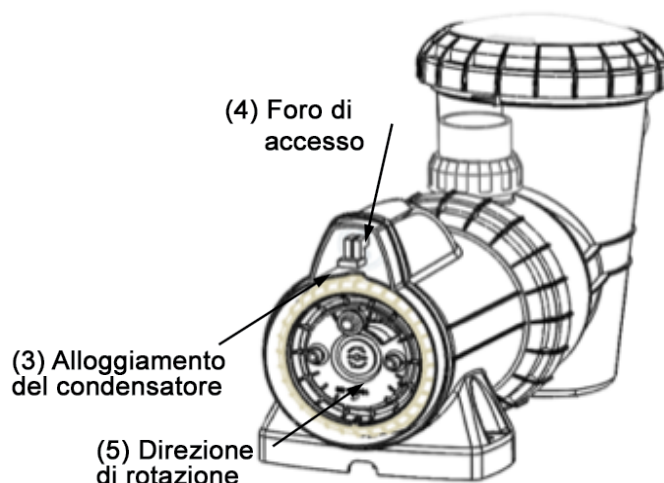


Figura 4.4

## 5. COLLEGAMENTI DELLE TUBAZIONI

Una serie di valvole a sfera idonee (europee o australiane) sono fornite per il collegamento alle condutture dalla piscina. Le pompe sono progettate per ricevere i seguenti tubi in PVC adattando il tubo o all'interno o all'esterno della cordiera. L'uso di qualsiasi tubo più piccolo di quelli specificati sotto non è raccomandato. Le tubazioni di aspirazione devono essere prive di ogni perdita d'aria e da eventuali gobbe e cavità che causano difficoltà di aspirazione. La tubazione di scarico dall'uscita della pompa deve essere collegata alla connessione di ingresso sul filtro della piscina (di solito sulla valvola di controllo del filtro).

### 5.1 Australia e Nuova Zelanda

Modello	Ingresso PVC	Posizione	Uscita PVC	Posizione
<b>SLS100-300</b>	tubo da 1,5 o 2" raccordo	ID OD	Tubo da 1,5 Raccordo da 2	ID OD
<b>SLL200</b>	tubo da 1,5 o 2" raccordo o 2" tubo	ID OD ID	Tubo da 1,5 Raccordo da 2 pollici Tubo da 2 pollici	ID OD ID
<b>SLL300/400</b>	Tubo da 1,5	ID	Tubo da 2	ID

### 5.2 Europa

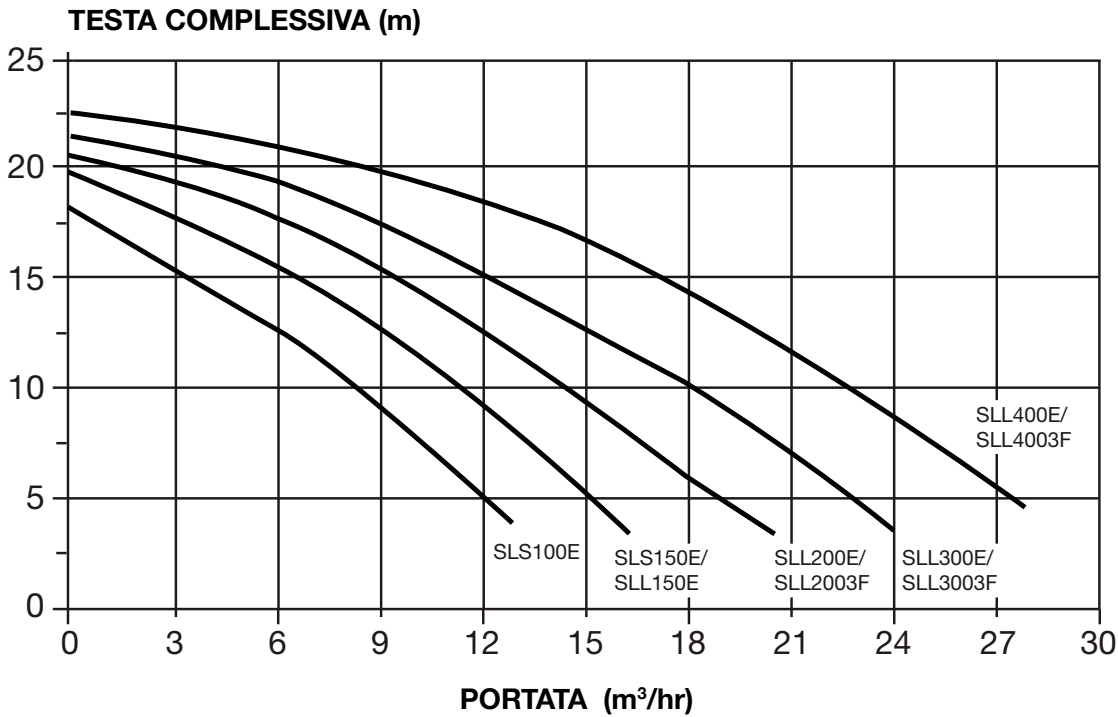
Modello	Ingresso PVC	Posizione	Uscita PVC	Posizione
<b>SLS100E, SL-S150E</b>	Tubo da 1,5" (50 mm) Adattatore da 2" (63 mm)	ID OD	Tubo da 1,5" (50 mm) Adattatore da 2" (63 mm)	ID OD
<b>SLL150E, SL-L200E, SLL2003F</b>	Tubo da 1,5" (50 mm) Adattatore da 2" (63 mm) Tubo da 2" (63mm)	ID OD ID	Tubo da 1,5" (50 mm) Adattatore da 2" (63 mm) Tubo da 2" (63mm)	ID OD ID
<b>SLL300E, SL-L400E, SLL3003F, SLL4003F</b>	Tubo da 2" (63mm)	ID	Tubo da 2" (63mm)	ID



I raccordi su questo prodotto sono costruiti in ABS. Alcuni composti per giunzioni in PVC sono incompatibili con l'ABS. Verificare l'idoneità dei composti prima dell'uso. Le valvole a sfera devono essere serrate a mano. Non sono richiesti sigillanti, colle o siliconi. Se la pompa e il filtro si trovano sotto il livello dell'acqua della piscina, è necessario installare valvole di intercettazione nel tubo tra la pompa e la scatola del separatore e nel tubo di ritorno dal filtro alla piscina.

## 6. SPECIFICHE TECNICHE

### 6.1 Prestazione Idraulica



### 6.2 Dati elettronici

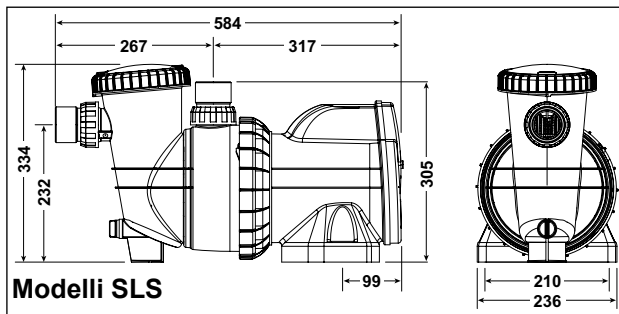
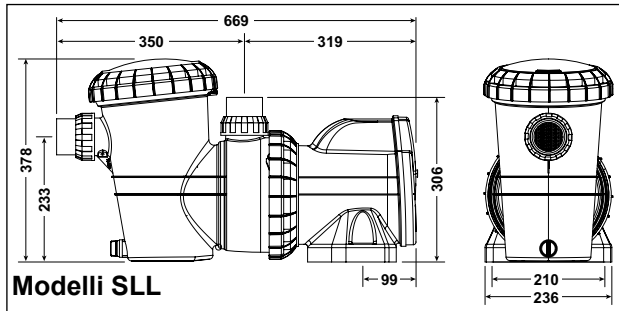
	MONOFASE							
Modello	SLS100(E)	SLS150(E)	SLS200	SLS300	SLL150(E)	SLL200(E)	SLL300(E)	SLL400(E)
Tensione (V)	220-240							
Frequenza di alimentazione (Hz)	50							
Potenza d'ingresso P <sub>1</sub> (W/hp)	740/1,0	860/1,2	1090/1,5	1400/1,9	860/1,2	1130/1,5	1400/1,9	1760/2,4
Potenza d' Uscita P <sub>2</sub> (W/hp)	525/0,7	620/0,8	775/1,0	960/1,3	620/0,8	830/1,1	960/1,3	1200/1,6
Velocità nominale (rpm)	2.850							
Classe involucro (IP)	56							
Classe di isolamento	F							
N° di approvazione	A/10EA							
Lunghezza del cavo	3m							

	TRIFASE		
Modello	SLL2003F	SLL3003F	SLL4003F
Tensione (V)	380-440		
Frequenza di alimentazione (Hz)	50		
Potenza d'ingresso P <sub>1</sub> (W/hp)	1090/1,5	1400/1,9	1760/2,4
Potenza d' Uscita P <sub>2</sub> (W/hp)	830/1,1	960/1,3	1200/1,6
Velocità nominale (rpm)	2.850		
Classe involucro (IP)	56		
Classe di isolamento	F		
N° di approvazione	A/10EA		
Lunghezza del cavo	3m		

### 6.3 Limiti operativi

Modello	SLS100(E)	SLS150(E)	SLS200	SLS300	SLL150(E)	SLL200(E)	SLL300(E)	SLL400(E)
Prevalenza totale massima (m)	16	20	21	22	20	21	22	23
Temperatura massima dell'acqua	40°C							
Temperatura ambiente massima	40°C							
Livello di rumore (AS 5102.2)	54 - 56 dBa							

### 6.4 Dimensioni



### 7. Avvio della pompa

Per utilizzare la pompa in modo efficace ed evitare che si danneggi il flusso dell'acqua da e verso la pompa deve essere libero. Prima di cominciare assicurarsi che:

- tutti i tubi siano correttamente sigillati.
  - il livello dell'acqua della piscina/spa sia ad un'altezza adeguata
  - tutte le valvole del caso siano aperte e non ci sia nulla che impedisce all'acqua di scorrere attraverso l'impianto.
1. Per prima cosa adescare la pompa rimuovendo il coperchio del cestello dello skimmer e riempiendo d'acqua l'area del cestello dello skimmer. Riposizionare il coperchio e assicurarsi che si sigilli sul grande o-ring.
  2. Collegare all'alimentazione e accendere.
  3. Fa andare la pompa in modo che possa essere espulsa eventuale aria intrappolata.
  4. Se l'adescamento non va a buon fine entro circa due minuti, come si può osservare in caso di forte flusso d'acqua, spegnere la pompa e ripetere la procedura. La presenza continua di aria sotto al coperchio del cestello dello skimmer indica una perdita d'aria nel tubo di aspirazione che deve essere eliminata per evitare danni alla pompa.

### 8. FUNZIONAMENTO DELLA POMPA

Per una prestazione ottimale della pompa, l'alloggiamento del cestello dello skimmer dovrebbe essere sempre pieno d'acqua e privo di bolle d'aria. Il livello dell'acqua della piscina dovrebbe essere sempre mantenuto almeno per metà al di sopra del cestello dello skimmer, garantendo sempre la presenza di acqua sulla pompa. Di volta in volta può essere necessario adescare nuovamente la pompa. Questo si potrebbe fare come sopra descritto.



**Non fare mai funzionare la pompa a secco. Fa andare la pompa senz'acqua può danneggiare le guarnizioni meccaniche, causando perdite e allagamenti. I danni da funzionamento a secco e i danni relativi non sono coperti da garanzia. La Silensor include una protezione dal funzionamento a secco che deve essere reimpostata spegnendo l'alimentazione, riducendo il danno potenziale.**

#### 8.1 Svotare il cestello del filtro

Il cestello del filtro deve essere ispezionato frequentemente attraverso il coperchio trasparente e svuotato quando è evidente un accumulo di spazzatura. Si devono seguire le seguenti indicazioni.

1. Spegner la pompa.
2. Chiudere tutte le valvole sul tubo.
3. Svitare il coperchio del cestello del filtro in senso antiorario e rimuoverlo.
4. Rimuovere il cestello del filtro sollevandolo verso l'alto dal suo alloggiamento.
5. Svuotare i rifiuti intrappolati dal cestello. Pulire con acqua se necessario
6. Controllare che il cestello del filtro non presenti crepe, riposizionare il cestello dello skimmer nella pompa se è OK.
7. Riposizionare il coperchio e assicurarsi che si sigilli sul grande o-ring in gomma. È richiesto solo un saldo serraggio con le mani. L'o-ring e il filetto possono essere lubrificati con Hydraslip o prodotti equivalenti.
8. Chiudere tutte le valvole sul tubo.



**La mancata esecuzione di una manutenzione regolare può causare danni non coperti da garanzia.**



## 9. RISOLUZIONE DEI PROBLEMI

**Se la pompa funziona ma non c'è flusso d'acqua o il flusso dell'acqua è ridotto, si può verificare la seguente condizione:**

1. Il filtro richiede il controlavaggio o è ostruito. Fare riferimento alla sezione pertinente nel manuale del filtro.
2. La pompa non è adescata. Ri-adesca come da istruzioni in 'Avvio della pompa'
3. Ci sono perdite d'aria nelle tubazioni di aspirazione. Controllare tutte le tubazioni ed eliminare le perdite, controllare anche se il coperchio del cestello del filtro è allentato. Le bolle d'aria nell'acqua che scorre verso la piscina indicherebbero una perdita nell'aspirazione verso la pompa permettendo all'aria di entrare nelle tubazioni
4. Una guarnizione dell'albero della pompa che perde potrebbe anche impedirne il funzionamento. Un'ulteriore prova di ciò può essere la presenza di acqua a terra sotto la pompa.
5. La pompa non è in grado di prelevare acqua dalla piscina. Verificare che le valvole della pompa siano completamente aperte e che il livello dell'acqua della piscina sia all'altezza della scatola del separatore.
6. Ostruzione nelle tubazioni o nella pompa. Rimuovere il cestello del filtro e verificare la presenza di eventuali ostruzioni all'ingresso della girante della pompa. Controllare che la scatola del separatore non sia ostruita

**Se la pompa non funziona, si possono verificare le seguenti condizioni:**

1. L'alimentazione non è collegata. Solo per 240 volt (monofase), controllare il punto di alimentazione collegando un apparecchio portatile per assicurarsi che l'alimentazione sia disponibile. Controllare anche i fusibili e l'interruttore di alimentazione principale
2. Il sovraccarico automatico è scattato dopo un periodo di surriscaldamento. La pompa ha un sovraccarico termico integrato che si reimposterà dopo che il motore si sarà raffreddato e l'alimentazione sarà stata ripristinata (spenta e riaccesa). Determinare la causa dell'intervento di sovraccarico e correggere.
3. L'ostruzione impedisce alla pompa di ruotare.
4. Il motore è bruciato - presenza di forte odore di bruciato E' necessaria la sostituzione.

Se non si è in grado di risolvere problemi relativi all'installazione o al funzionamento sulla Silensor, contattare il fornitore da cui si è acquistata la pompa o il Centro Servizi Attrezzature per piscina Davey Autorizzato più vicino. Se è necessaria ulteriore assistenza, contattare il Centro Servizio Clienti Davey all'indirizzo indicato nel presente manuale.

## 10. RIMOZIONE DELLA POMPA DALLE TUBAZIONI

Se fosse necessario rimuovere la pompa, seguire le seguenti istruzioni:

1. Spegnerne l'alimentazione e rimuovere la spina dalla fonte di alimentazione..



**NOTA: Se la pompa è collegata a un orologio in tempo reale o ad un altro controllo automatico, il cablaggio deve essere rimosso da un elettricista qualificato.**

2. Chiudere le valvole dell'acqua sul tubo di ritorno della piscina e le tubazioni di ingresso della pompa.
3. Rimuovere le valvole a sfera di scarico e di aspirazione facendo attenzione di non perdere gli o-ring.
4. Spostare le tubazioni con le valvole a sfera attaccate fino a quando la pompa possa essere tirata in modo libero.



**NOTA: Quando si inviano richieste su Silensor, assicurarsi di citare il numero del modello riportato sulla targhetta situata sul motore.**

## 11. QUALITÀ DELL'ACQUA

Il mantenimento della chimica bilanciata dell'acqua è importante per la vita della pompa della piscina. Questa pompa è progettata per essere utilizzata con acqua per piscine e spa, bilanciata secondo l'indice di saturazione di Langlier, con un livello di pH compreso tra 7,2 e 7,8 ed è regolarmente trattata con un agente disinfettante al cloro con un livello non superiore a 3 ppm.

Si prega di consultare regolarmente il proprio punto di vendita locale per testare l'acqua.



**Attività di manutenzione ordinaria**  
– per massimizzare la durata delle apparecchiature della piscina e la sicurezza personale, utilizzare questa lista di controllo una volta alla settimana. Spegnerne dapprima la pompa.

- a. Assicurarsi che tutti i manometri siano funzionanti e che la pressione operativa sia entro i limiti specificati sul prodotto.
- b. Assicurarsi che ciascun ingresso di aspirazione e lo scarico principale siano dotati di un coperchio saldamente fissato e in condizioni di funzionamento sicuro.
- c. Assicurarsi che tutti i coperchi del separatore siano fissati saldamente e in condizioni di funzionamento sicuro. Questi dovrebbero essere sostituiti ogni 3 o 4 anni.
- d. Rimuovere eventuali ostruzioni o detriti dal coperchio dello scarico principale.
- e. Accertarsi che i cestelli del separatore e i filtri dei capelli e lanugine della pompa siano privi di foglie e detriti almeno una volta alla settimana.
- f. Rimuovere ostruzioni e combustibili attorno al motore della pompa.
- g. Assicurarsi che tutti i collegamenti dei cablaggi siano puliti e che tutti i cablaggi e le apparecchiature elettriche siano in buone condizioni. Il cablaggio danneggiato deve essere riparato o sostituito da un elettricista qualificato non appena viene rilevato un danno.
- h. Controllare i livelli di equilibrio idrico e dell'igienizzante presso il proprio punto di vendita locale.



I collegamenti elettrici e le verifiche devono essere eseguiti da un elettricista qualificato ed essere conformi con gli standard locali applicabili. Un'installazione di cattiva qualità o una cattiva alimentazione possono determinare incendi di natura elettrica!



**PERICOLO - Aspirazione pericolosa.** Non bloccare l'ingresso di acqua nel sistema di filtrazione con nessuna parte del corpo in quanto la pressione può intrappolare i capelli o parti del corpo, causando lesioni gravi o morte. Non bloccare l'aspirazione. Spegnerne immediatamente la pompa se qualcuno rimane intrappolato.



**Attenzione!** Non aggiungere prodotti chimici direttamente al separatore della piscina. L'aggiunta di sostanze chimiche non diluite può danneggiare la pompa e il filtro e invalidare la garanzia.



**ATTENZIONE!** L'aspirazione della pompa è pericolosa e può intrappolare e annegare o sventrare i bagnanti. Non bloccare l'aspirazione. Non utilizzare o far funzionare piscine, spa o bagni termali se un coperchio di aspirazione è rotto, mancante o allentato. Per evitare l'intrappolamento per effetto dell'aspirazione, devono essere previsti due coperchi di aspirazione e ingressi in ogni pompa.



## Garanzia Davey

Davey Water Products Pty Ltd (Davey) garantisce che tutti i prodotti venduti saranno (in condizioni di normale utilizzo e servizio) privi di difetti materiali e di lavorazione per un periodo minimo di un (1) anno dalla data di acquisto del prodotto originale da parte del cliente come indicato sulla fattura, per specifici periodi di garanzia per tutti i prodotti Davey visitare il sito web [daveywater.com](http://daveywater.com).

La presente garanzia non copre la normale usura o si applica ad un prodotto il quale:

- è stato oggetto di uso improprio, trascuratezza, negligenza, danneggiamento o incidente
- è stato utilizzato, azionato o sottoposto a manutenzione in modo non conforme alle istruzioni di Davey
- non è stato installato in conformità alle istruzioni di installazione o da personale adeguatamente qualificato
- è stato modificato o alterato rispetto alle specifiche originali o in qualunque modalità non approvata da Davey
- ha subito tentativi di riparazione da parte di soggetti diversi da Davey o dai suoi concessionari autorizzati
- è stato soggetto a condizioni anomale come alimentazione di tensione errata, fulmini o picchi di alta tensione, danni da azione elettrolitica, cavitazione, sabbia, liquidi corrosivi, salini o abrasivi,

La garanzia Davey non copre la sostituzione di qualsiasi prodotto destinato al consumo o difetti di prodotti e componenti che sono stati forniti a Davey da parti terze (tuttavia Davey fornirà un'assistenza adeguata al fine di ottenere il beneficio di qualsiasi garanzia di parte terza).

Per rivendicare la garanzia:

- Se si ritiene che il prodotto sia difettoso, interrompere l'utilizzo e contattare il luogo di acquisto di provenienza. In alternativa, telefonare al Servizio Clienti Davey o inviare una comunicazione a Davey come indicato nei seguenti recapiti
- Fornire la documentazione o la ricevuta della data di acquisto in originale
- Se richiesto, restituire il prodotto e/o fornire ulteriori informazioni in merito al reclamo. La restituzione del prodotto al luogo di acquisto è a carico e responsabilità dell'acquirente.
- La rivendicazione della garanzia sarà valutata da Davey sulla base delle proprie conoscenze relative al prodotto e del proprio giudizio ragionevole e sarà accettata se:
  - si riscontra un difetto significativo
  - la rivendicazione della garanzia è effettuata durante il relativo periodo coperto da garanzia; e
  - non si applicano nessuna delle condizioni escluse sopra elencate

- Al cliente verrà notificata per iscritto la decisione relativa alla garanzia e in caso di invalidità il cliente dovrà organizzare il ritiro del prodotto a sue spese o autorizzarne lo smaltimento.

Se la rivendicazione della garanzia è ritenuta valida, Davey provvederà, a sua discrezione, a riparare o sostituire gratuitamente il prodotto.

La garanzia Davey si aggiunge ai diritti previsti dal diritto locale a favore dei consumatori. Avete diritto a una sostituzione o al rimborso in caso di guasto grave e al risarcimento di qualsiasi altra perdita o danno ragionevolmente prevedibile. Avete inoltre diritto a far riparare o sostituire il prodotto qualora non fosse di qualità accettabile e il guasto non costituisca un guasto grave.

Per tutti i prodotti che sono collegati a Internet, il consumatore è responsabile nel garantire una connessione Internet stabile. In caso di guasto della rete, il consumatore dovrà rivolgersi al provider del servizio per risolvere il problema. L'utilizzo di un'App non sostituisce il monitoraggio da parte dell'Utente al fine di garantire che il prodotto funzioni secondo le aspettative. L'utilizzo di un'App Smart Product è ad esclusivo rischio e pericolo dell'Utente. Nella misura massima consentita dalla legge, Davey declina ogni garanzia circa l'accuratezza, la completezza o l'affidabilità dei dati dell'App. Davey non è responsabile per qualsiasi perdita, danno o costo diretto o indiretto a carico dell'utente derivante dal suo affidamento alla connettività internet. L'utente solleva Davey da qualsiasi rivendicazione o azione legale da parte sua o di terzi che si affidano alla connettività internet o ai dati delle applicazioni.

I prodotti presentati per la riparazione possono essere sostituiti da prodotti ricondizionati dello stesso tipo piuttosto che essere riparati. Possono essere utilizzati componenti ricondizionati per la riparazione dei prodotti. La riparazione dei prodotti può comportare la perdita di qualsiasi dato generato dall'utente. Accertarsi di aver fatto una copia di tutti i dati salvati sui prodotti.

Nella misura massima consentita dalla legge o dal regolamento, Davey declina ogni responsabilità per eventuali perdite di profitti o perdite, danni o lesioni conseguenti, indiretti o speciali, di qualsivoglia natura derivanti direttamente o indirettamente dai prodotti Davey. Questa limitazione non si applica ad alcuna responsabilità di Davey per il mancato rispetto di una garanzia del consumatore applicabile al prodotto Davey secondo le leggi locali e non pregiudica i diritti o i provvedimenti che possono essere messi a disposizione dell'utente secondo le leggi locali.

Per un elenco completo dei rivenditori Davey, visitare il nostro sito Web ([daveywater.com](http://daveywater.com)) oppure chiamare:

## DAVEY

Davey Water Products Pty Ltd  
Member of the GUD Group  
ABN 18 066 327 517

[daveywater.com](http://daveywater.com)

### AUSTRALIA

#### Ufficio principale

6 Lakeview Drive,  
Scoresby, Australia 3179  
Ph: 1300 232 839  
Fax: 1300 369 119  
Email: [sales@davey.com.au](mailto:sales@davey.com.au)

### NUOVA ZELANDA

7 Rockridge Avenue,  
Penrose, Auckland 1061  
Ph: 0800 654 333  
Fax: 0800 654 334  
Email: [sales@dwp.co.nz](mailto:sales@dwp.co.nz)

### EUROPA

7 rue Eugène Hénaff 69200  
Vénissieux, France  
Ph: +33 (0) 4 72 13 95 07  
Fax: +33 (0) 4 72 33 64 57  
Email: [info@daveyeurope.eu](mailto:info@daveyeurope.eu)

### NORD AMERICA

Ph: 1-888-755-8654  
Email: [info@daveyusa.com](mailto:info@daveyusa.com)

### MEDIO ORIENTE

Ph: +971 50 6368764  
Fax: +971 6 5730472  
Email: [info@daveyuae.com](mailto:info@daveyuae.com)

© Davey è un marchio commerciale di Davey Water Products Pty Ltd. © Davey Water Products Pty Ltd 2022. P/N 401459-9IT

\* Una guida di riferimento rapido è inclusa con il prodotto nuovo quando viene acquistato, per istruzioni dettagliate visita il sito web [daveywater.com](http://daveywater.com), scansiona il codice QR sulla guida di riferimento rapido/etichetta del prodotto Davey (se applicabile) o contatta il tuo ufficio Davey locale.

# DAVEY

**SILENSOR**<sup>®</sup> by **DAVEY**

## Zwembadpompen

Modellen:

SLS100, SLS100E, SLS150, SLS150E, SLS200, SLS300, SLL1503F,  
SLL150E, SLL200, SLL2003F, SLL200E, SLL300, SLL3003F, SLL300E,  
SLL400, SLL4003F, SLL400E

## Installatie- en gebruiksinstructies



**WAARSCHUWING:** Niet-naleving van deze instructies en alle toepasselijke codes kan ernstig lichamelijk letsel en/of materiële schade veroorzaken.

De installatie van dit product moet daarom worden uitgevoerd door een persoon die ervaring heeft met de loodgieterijvereisten van zwembaden en die de instructies voor installatie in deze handleiding correct volgt.

**Geef deze instructies door aan de persoon die met de uitrusting werkt.**

## **INHOUD:**

<b>1. UW DAVEY SILENSOR .....</b>	<b>39</b>
<b>2. PLAATS .....</b>	<b>39</b>
<b>3. BESCHERMING TEGEN WEERSOMSTANDIGHEDEN .....</b>	<b>40</b>
<b>4. ELEKTRISCHE AANSLUITINGEN.....</b>	<b>40</b>
4.1 Enkele fase aansluitingen .....	40
4.1.1. Aansluiting van de bedrading .....	41
4.2 Drie fase aansluitingen .....	41
4.2.1. Aansluiting van de bedrading .....	41
<b>5. AANSLUITINGEN VAN DE SLANGEN .....</b>	<b>42</b>
5.1 Australië en Nieuw-Zeeland .....	42
5.2 Europa.....	42
<b>6. TECHNISCHE SPECIFICATIES .....</b>	<b>43</b>
6.1 Hydraulische prestatie.....	43
6.2 Elektrische gegevens .....	43
6.3 Werkingsgrenzen.....	44
6.4 Afmetingen .....	44
<b>7. STARTEN VAN DE POMP .....</b>	<b>44</b>
<b>8. WERKING VAN DE POMP .....</b>	<b>44</b>
<b>9. PROBLEEMOPLOSSING:.....</b>	<b>45</b>
<b>10. DE POMP VAN DE SLANGEN AFKOPPELEN .....</b>	<b>45</b>
<b>11. WATERKWALITEIT.....</b>	<b>46</b>
<b>DAVEY GARANTIE.....</b>	<b>48</b>

Voordat u de pomp gebruikt moet u het volgende controleren:

- De pomp is in een veilige en droge omgeving geïnstalleerd
- De pompbehuizing is voorzien van correcte drainering in geval van een lek
- Alle transportpluggen zijn verwijderd
- De slangen zijn correct afgedicht en ondersteund
- De pomp heeft correct aangezogen
- De stroomtoevoer is correct aangesloten
- Alle stappen voor veilige werking zijn uitgevoerd

De volgende Installatie en gebruiksinstructies bevatten nuttige informatie over deze items. Lees deze instructies volledig voordat u de pomp inschakelt. Als u twijfelt over een deel van de installatie- en gebruiksinstructies, kunt u contact opnemen met uw Davey dealer of een van de Davey kantoren die vermeld worden op de achterkant van dit document.

## 1. UW DAVEY SILENSOR

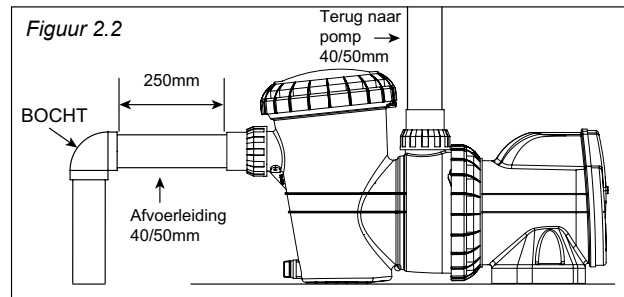
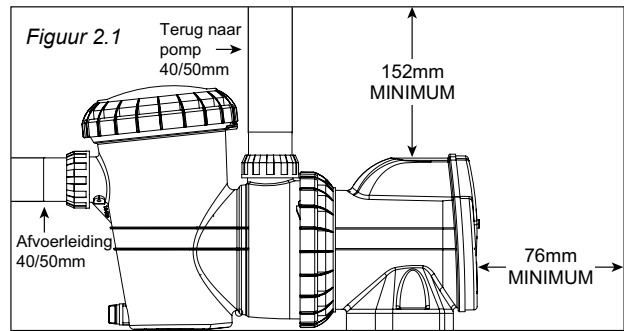
Gefeliciteerd met uw aankoop van een kwaliteitsproduct uit het gamma Zwembaduitrustingen van Davey. Davey Silensor zwembadpompen zijn ontworpen voor de circulatie van zwembad- en spawater onder omstandigheden die zijn opgenomen in de Australian Standard voor zwembadwaterkwaliteit (AS 3633) of plaatselijk equivalent. De pomp moet niet worden gebruikt voor andere doeleinden zonder vooraf contact op te nemen met uw Davey handelaar of Davey hulpcenter. Zie voor de contactgegevens de achterkant van deze handleiding.

Davey ontwerpt en maakt haar eigen elektrische motoren speciaal voor haar pompen. De matchende motor en "pompiteinden" zijn ontworpen voor stille werking en leveren een maximale waterflow. Davey' innovatieve water gekoelde motor heeft een ingebouwde handmatige overbelastingsbescherming met een ingebouwde automatische thermostaat die ontworpen is om de motor te beschermen tegen oververhitting. Deze bescherming voorkomt ook 'dry run' schade. Elke Davey Silensor zwembadpomp wordt grondig getest op een aantal flow-, druk-, voltage-, stroom- en mechanische prestatieparameters. De geavanceerde pompvervaardigingstechnologie van Davey biedt een betrouwbare en efficiënte pomp prestatie met een lange levensduur.

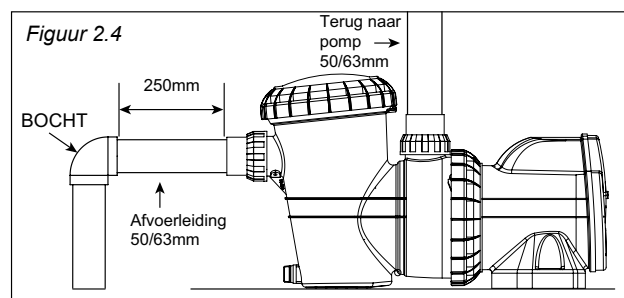
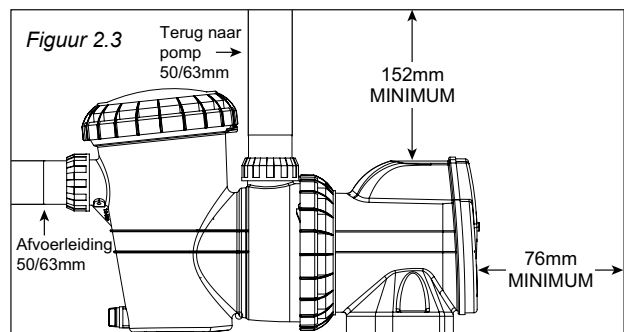
## 2. PLAATS

De pomp moet zo dicht mogelijk bij het water worden geplaatst en gemonteerd worden op een stevige basis op een goed gedraineerde plaats die hoog genoeg is om overstroming te voorkomen. Het is de verantwoordelijkheid van de installateur/eigenaar om de pomp zodanig te plaatsen dat het naamplaatje goed leesbaar is en de pomp goed toegankelijk is voor onderhoud.

### Australië/Nieuw-Zeeland



### Europa



1. Installeer geen 90° bocht direct op de inlet van de pomp. Bochten moeten minstens 250 mm van de pomp verwijderd zijn.
2. In geval van drijvende afzuigsystemen moet een afsluiter worden geïnstalleerd op de afzuig- en afvoerleidingen voor onderhoud, de afsluiter op de aanzuiging moet minstens 250 mm van de inlet worden geïnstalleerd.
3. Gebruik een terugslagventiel op de afvoerleiding als de pomp wordt gebruikt voor toepassingen met aanzienlijk hoogteverschil naar de leidingen achter de pomp.
4. Installeer altijd terugslagventielen op leidingen die parallel lopen met een andere pomp. Dit helpt reverse rotatie van de propeller en de motor voorkomen.

### 3. BESCHERMING TEGEN WEERSOMSTANDIGHEDEN

Wij raden u aan de pomp tegen weersomstandigheden te beschermen.



Conform EN 60335.2.41 zijn wij verplicht u te informeren over het feit dat dit apparaat kan worden gebruikt door kinderen van 8 jaar en ouder en personen met beperkte fysieke, sensorische of geestelijke capaciteiten of een gebrek aan ervaring en kennis als gebruik onder toezicht plaatsvindt of als zij instructies over het gebruik van het apparaat hebben ontvangen van een persoon die verantwoordelijk is voor hun veiligheid. Zonder toezicht mogen kinderen het apparaat niet reinigen of onderhouden.

Conform AS/NZS 60335.2.41 informeren wij u dat deze pomp niet gebruikt mag worden door kinderen of mensen met een handicap, en evenmin door kinderen gebruikt mag worden als speelgoed.

### 4. ELEKTRISCHE AANSLUITINGEN



**OPMERKING:** De pomp moet gevoed worden via een residuele stroombeschermingsvoorzieningen met een maximale nominale stroom van 30mA.

#### 4.1 Enkele fase aansluitingen



**Belangrijke informatie:** Uw Davey pomp is dubbel geïsoleerd op het watercircuit. Als een potentiaalvereffeningsstructuur is vereist, wordt een potentiaalvereffeningpunt voorzien. (Zie uw plaatselijke wet- en regelgeving voor AS/NZ/3000 equivalente bedradingsnormen).



**OPMERKING:**

1. Controleer of de motor is aangesloten op de stroomvoorziening zoals vermeld op het naamplaatje.
2. Vermijd lange verlengsnoeren, deze kunnen aanzienlijk spanningsverlies en functioneringsproblemen veroorzaken.
3. Hoewel de Davey motor specifiek is ontworpen voor werking op een reeks stroomspanningen, zijn storingen of defecten ten gevolge van verkeerde stroomvoorziening niet gedekt door de garantie.
4. Elektrische aansluiting en bedrading moten worden geïnstalleerd door een erkende elektricien.
5. Uit veiligheidsoverwegingen adviseren wij installatie van alle merken en types zwembadpompen conform AS3000 bedradingsregels of equivalent.
6. Zorg dat er een elektrische isolatieschakelaar geplaatst wordt die gemakkelijk toegankelijk is zodat de pomp in een noodgeval uitgeschakeld kan worden.

Davey Silensors zwembadpompen zijn geschikt voor aansluiting op nominale 220/240 volt 50Hz stroomvoorzieningen.

In Europa is de pomp voorzien van een kabel van 3 meter die door een elektricien moet worden aangesloten.

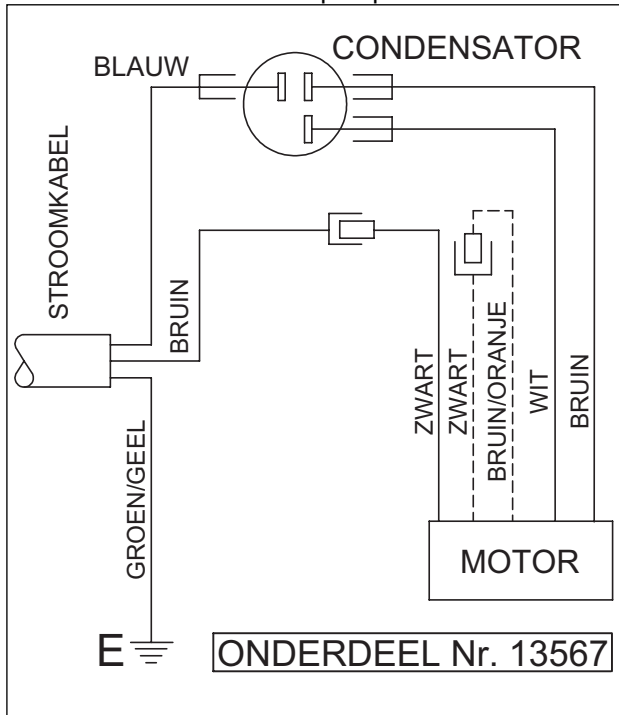
In Australië en Nieuw-Zeeland zijn de pompen uitgerust met een flexibel snoer en een 3-pin stekker. Als er geen stopcontact aanwezig is binnen 3 meter van de pomp, kan een 3-pin punt worden voorzien door een elektricien op een droge, veilige plaats. Verlengsnoeren zijn onveilig rond zwembaden en moeten vermeden worden.

Zorg dat de meegeleverde aardgeleider aangesloten is op een goede aardevoorziening. Als het snoer van dit product beschadigd is, moet het vervangen worden door de dealer of de fabrikant.



### 4.1.1 Aansluiting van de bedrading

Zie onderstaande schema voor informatie over de correcte installatie van uw pomp.



Figuur 4.1

Alle enkele fase Silensor modellen hebben een ingebouwde handmatige reset thermische overbelastingbescherming, dat wil zeggen dat in geval van overbelasting van de motor d thermale voorziening het circuit pent en de motor uitschakelt, er wordt pas gereset en de motor wordt weer ingeschakeld als de stroomtoevoer naar de motor eert uit en dan weer ingeschakeld is.

### 4.2 Drie fase aansluitingen

Drie fasen modellen zijn ontworpen voor aansluiting op een nominale 400V stroomtoevoer, maar moeten bedraad met een connector met 'quick-trip' (of M10) bescherming op 4.3 amp. worden aangesloten.

Davey raadt het gebruik van overbelastingbescherming aan die ook "enkele fase" of "spanningsval" omstandigheden in de stroomvoorziening detecteren.

**OPMERKING: Bij drie fase motoren is geen condensatoren in het condensatordeksel gemonteerd.**

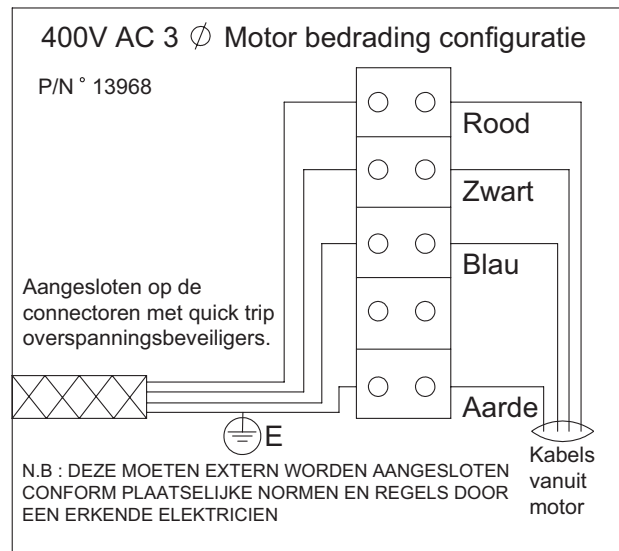
1. Sluit de kabel aan op het 3 fase stopcontact, zorg dat u de draden correct aansluit.
2. Controleer de correcte rotatie van de pomp door: Verwijder de moer en moerplaatje (1) van de achterkant van de pomp met een 1/2" mof en haal het achterste deksel van de pomp weg (2).
3. Controleer of de drie fase bedrading correct is aangesloten op de stroomkabel en dat de motoras correct met de klok mee draait. Er staat een richtingspijlje op de achterklep (5).

4. Plaats voorzichtig de draden en het terminal blok terug in de condensatorbehuizing, zorg dat alle draden er correct in zitten zodat ze niet bekneld raken als het deksel wordt teruggeplaatst.

5. Plaats het achterste pompdeksel terug en bevestigt met moer en moerplaatje. Zorg dat de pomp niet op de kabel staat.

### 4.2.1 Aansluiting van de bedrading

Zie onderstaande schema voor informatie over de correcte installatie van uw pomp.

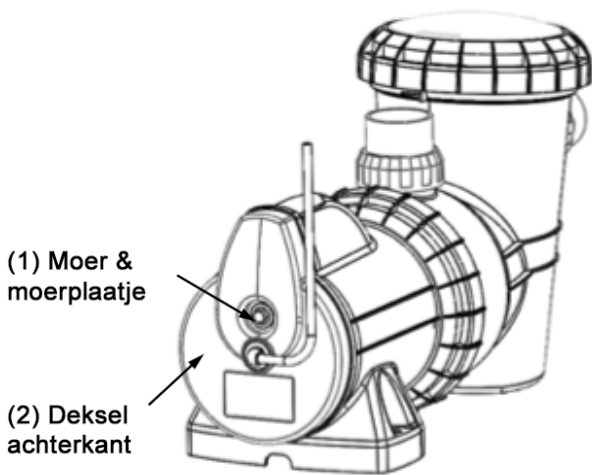


Figuur 4.2

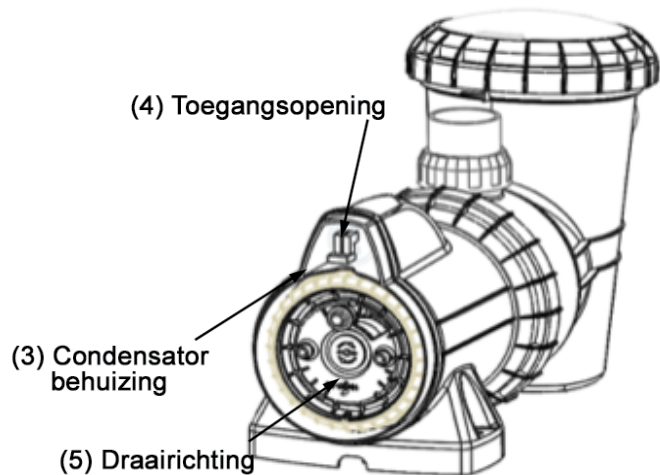
**OPMERKING: ALLEEN DRIE FASEN MODELLEN**  
**Voordat de bedradingsaansluiting wordt voltooid en voordat de pomp aangezogen wordt, controleert u of de motor draait in de richting van de pijl (met de klok mee bij zicht op de schacht vanaf de bedradingszijde). Om de rotatierichting aan te passen, verandert u de twee stroomkabels op de motorterminals.**

**Als de eenheid is aangesloten en werkt, moet de fasebalans gecontroleerd worden. Deze moet binnen een 5% variatiebereik liggen. Het "rollen" van de kabels kan een kleine onbalans verhelpen, maar in geval van grotere onbalans ligt de oorzaak meestal in onbalans in de stroomtoevoer. Dit moet worden verholpen voordat de pomp wordt gebruikt. De pijp koppelingen van de leidingaansluiting moeten met de hand vast gedraaid worden. Er is geen afsluitmiddel, lijm of siliconen nodig.**

Zie Figuur 4.3 en 4.4 op de achterkant.



Figuur 4.3



Figuur 4.4

## 5. AANSLUITING VAN DE SLANGEN

Er is een set pijpkoppelingen (Europese en Australische) meegeleverd voor aansluiting van de slangen op het zwembad. De pomp is ontworpen voor gebruik met de volgende PVC-leidingen voor aansluiting in of om de koppeling. Gebruik van slangen die kleiner zijn dan de hieronder vermelde formaten, wordt afgeraden. Afzuigslangen mogen geen luchtlekken, bobbelen en knikken bevatten die problemen bij het afzuigen kunnen veroorzaken. De afvoerslang van de pompoutlet moet aangesloten worden op de inletaansluiting op het zwembadfilter (normaal bij het filtercontroleventiel).

### 5.1 Australië en Nieuw-Zeeland

Model	Ingang PVC	Positie	Uitgang PVC	Positie
<b>SLS100-300</b>	1.5" (50 mm) leiding of 2" (63 mm) koppeling	ID OD	1.5" (50 mm) leiding of 2" (63 mm) koppeling	ID OD
<b>SLL200</b>	1.5" (50 mm) leiding of 2" (63 mm) koppeling of 2" (63 mm) leiding	ID	1.5" (50 mm) leiding	ID
		OD	of 2" (63 mm) koppeling	OD
		ID	of 2" (63 mm) leiding	ID
<b>SLL300/400</b>	1.5" (50 mm) leiding	ID	2" (63 mm) leiding	ID

### 5.2 Europa

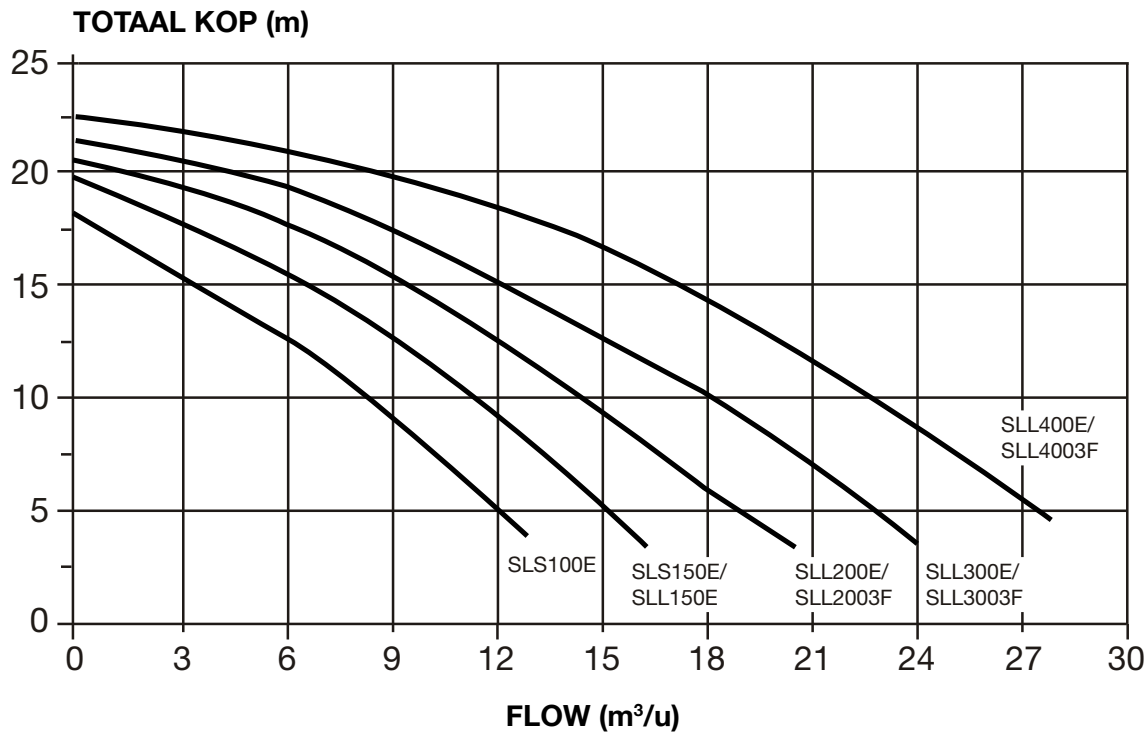
Model	Ingang PVC	Positie	Uitgang PVC	Positie
<b>SLS100E, SL-S150E</b>	1.5" (50 mm) leiding of 2" (63 mm) koppeling	ID	1.5" (50 mm) leiding	ID
		OD	2" (63 mm) koppeling	OD
<b>SLL150E, SL-L200E, SLL2003F</b>	1.5" (50 mm) leiding of 2" (63 mm) koppeling of 2" (63mm) leiding	ID	1.5" (50 mm) leiding	ID
		OD	2" (63 mm) koppeling	OD
		ID	2" (63mm) leiding	ID
<b>SLL300E, SL-L400E, SLL3003F, SLL4003F</b>	2" (63mm) leiding	ID	2" (63mm) leiding	ID



De koppelingen van dit product zijn vervaardigd uit ABS. Bepaalde PCV pakkingcomponenten zijn compatibel met ABS. Controleer vóór gebruik de geschiktheid van de componenten. De pijpkoppelingen moeten met de hand vast gedraaid worden. Er is geen afsluitmiddel, lijm of siliconen nodig. Als de pomp en het filter zich onder het zwembadwaterniveau bevinden, moeten isolerende kleppen geplaatst worden in de slang tussen de pomp en de skimmer box en in de retourslang van het filter naar het zwembad.

## 6. TECHNISCHE SPECIFICATIES

### 6.1 Hydraulische prestatie



### 6.2 Elektrische gegevens

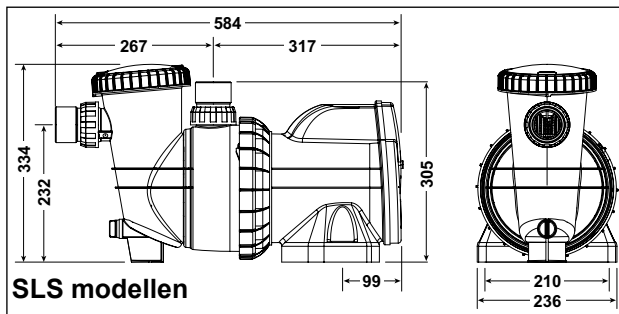
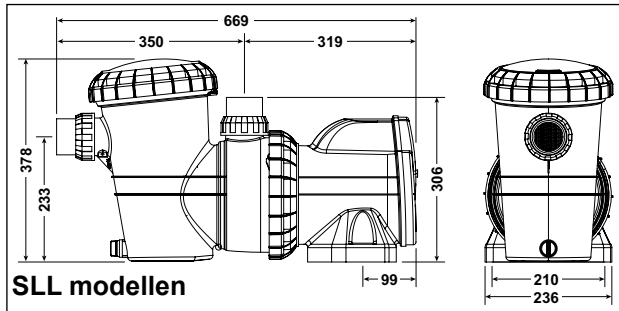
	<b>ENKELE FASE</b>							
<b>Model</b>	<b>SLS100(E)</b>	<b>SLS150(E)</b>	<b>SLS200</b>	<b>SLS300</b>	<b>SLL150(E)</b>	<b>SLL200(E)</b>	<b>SLL300(E)</b>	<b>SLL400(E)</b>
Voltage (V)	220-240 ~							
Stroomfrequentie (Hz)	50							
Stroomtoevoer P <sub>1</sub> (W/hp)	740/1,0	860/1,2	1090/1,5	1400/1,9	860/1,2	1130/1,5	1400/1,9	1760/2,4
Stroomafvoer P <sub>2</sub> (W/hp)	525/0,7	620/0,8	775/1,0	960/1,3	620/0,8	830/1,1	960/1,3	1200/1,6
Nominale snelheid (tpm)	2850							
Behuizing klasse (IP)	56							
Isolatieklasse	F							
Goedkeuringsnr.	A/10EA							
Kabel lengte	3m							

	<b>DRIE FASEN</b>		
<b>Model</b>	<b>SLL2003F</b>	<b>SLL3003F</b>	<b>SLL4003F</b>
Voltage (V)	380-440 ~		
Stroomfrequentie (Hz)	50		
Stroomtoevoer P <sub>1</sub> (W/hp)	1090/1,5	1400/1,9	1760/2,4
Stroomafvoer P <sub>2</sub> (W/hp)	830/1,1	960/1,3	1200/1,6
Nominale snelheid (tpm)	2850		
Behuizing klasse (IP)	56		
Isolatieklasse	F		
Goedkeuringsnr.	A/10EA		
Kabel lengte	3m		

### 6.3 Werkingsgrenzen

Model	SLS100(E)	SLS150(E)	SLS200	SLS300	SLL150(E)	SLL200(E)	SLL300(E)	SLL400(E)
Max. totaal kop (m)	16	20	21	22	20	21	22	23
Maximale watertemperatuur	40°C							
Maximale omgevingstemperatuur	40°C							
Lawaainiveaus (AS 5102.2)	54 - 56 dBa							

### 6.4 Afmetingen



### 7. STARTEN VAN DE POMP

Voor een efficiënte werking en om schade aan de pomp te voorkomen, moet het water vrij kunnen circuleren van en naar de pomp. Controleer voor het starten of:

- alle slangen correct zijn afgedicht.
  - het zwembad/spawaterniveau correct is.
  - zorg dat alle ventielen open staan er dat er niets is dat verhindert dat het water in het systeem circuleert.
1. Prime de pomp( aanzuigen) door de deksel van het zeefmandje te verwijderen en het zeefmandje met water te vullen. Doe het deksel er weer op en controleer of het goed op de o-ring zit.
  2. Sluit de stroom weer aan en schakel de pomp aan.
  3. Laat de pomp draaien zodat alle lucht verwijderd wordt.
  4. Als het aanzuigen niet binnen ongeveer twee minuten gebeurt, wat te zien is aan een sterke waterstroom, schakelt u de pomp uit en herhaalt u de procedure. Als er lucht blijft zitten onder het deksel van het zeefmandje, wijst dit op een luchtlek in de aanzuigslangen, dat gerepareerd moet worden om schade aan de pomp te voorkomen.

### 8. WERKING VAN DE POMP

Voor optimale pompprestaties moet de behuizing van het zeeflandje altijd vol water staan en vrij zijn van luchtbellens. Het waterniveau van de pomp moet altijd gehandhaafd worden op minstens de helft van de skimmerbox om ervoor te zorgen dat er altijd water in de pomp zit. Het kan nodig zijn om van tijd tot tijd de pomp opnieuw aan te laten zuigen. Dit moet uitgevoerd worden zoals hierboven beschreven.



**Laat de pomp nooit droog draaien. De pomp laten draaien zonder water kan schade veroorzaken aan de mechanische afdichtingen en lekkage en overstroming veroorzaken. Schade vanwege droog draaien en geassocieerde schade wordt niet gedekt door de garantie. Silensor heeft een ingebouwde droog draaien bescherming, die gereset moet worden door de stroomtoevoer af te sluiten om potentiële schade te voorkomen.**

#### 8.1 Legen van het zeefmandje

Het zeefmandje moet geregeld worden gecontroleerd via het transparante deksel en geleegd worden als er veel vuil in zit. Volg hiervoor de onderstaande instructies.

1. Schakel de pomp uit.
2. Sluit alle ventielen in de slangen.
3. Schroef het deksel van het zeefmandje tegen de klok in los en verwijder het.
4. Verwijder het zeefmandje door het omhoog te trekken..
5. Verwijder het afval uit het mandje. Indien nodig met water uitspoelen.
6. Controleer het zeefmandje op scheuren en plaatst het terug in de pomp als het in goede staat verkeerd.
7. Doe het klepje dicht en controleer of het goed op de rubberen o-ring zit. Met de hand stevig aandraaien is voldoende. De o-ring en de draad kunnen gesmeerd worden met Hydra slip of equivalente producten.
8. Open alle ventielen in de slangen.



**Het niet regelmatig uitvoeren van onderhoud kan schade veroorzaken die niet wordt gedekt door de garantie.**

## 9. PROBLEEMOPLOSSING

**Als de pomp draait, maar er geen of weinig water stroomt, kan het volgende van toepassing zijn:**

1. Het filter vereist backwashing of is verstopt.  
Zie de relevante sectie in de filterhandleiding
2. U hebt de pomp niet aan laten zuigen.  
Laat de pomp opnieuw aanzuigen zoals vermeld in 'De pomp starten'
3. Er zitten luchtlekken in de afzuigslangen  
Controleer alle slangen en repareer lekken, controleer ook of de klep van het zeefmandje niet los zit. Luchtbellen in het water die terugstromen naar het zwembad wijzen op een lek in de afzuiging naar de pomp waardoor er lucht in de slangen komt.
4. Niet functioneren kan ook veroorzaakt worden door een lekkende afsluiting van de pompzuiger. Dit is het geval als er zich water op de grond onder de pomp bevindt.
5. De pomp kan geen water uit het zwembad krijgen. Controleer of de ventielen naar de pomp volledig open zijn en of het zwembadwaterniveau tot aan de skimmer staat.
6. Verstopping in de slangen of de pomp.  
Verwijder het zeefmandje en controleer op verstopping bij de ingang van de pompwaaier. Controleer de skimmer op verstopping.

**Als de pomp niet werkt, kan het volgende van toepassing zijn:**

1. De stroom is niet aangesloten. Alleen voor 240 volt (enkele fase), controleer het stroompunt door een draagbare applicatie aan te sluiten om na te gaan of er stroom beschikbaar is. Controleer ook de zekeringen en de hoofdschakelaar.
2. De automatische overbelasting wordt geactiveerd na een overhittingsperiode. De pomp heeft een ingebouwde thermische overbelasting die gereset wordt als de motor is afgekoeld en de stroomtoevoer is gereset (uit- en inschakelen). Bepaal de oorzaak van de activering van de overbelasting en corrigeer dit.
3. Verstopping verhindert rotatie van de pomp.
4. De motor is verbrandt - u ruikt een duidelijke brandlucht. De motor moet worden vervangen.

Als u problemen ondervindt met de installatie of werking van uw Silensor, kunt u contact opnemen met de leverancier waarbij u de pomp hebt gekocht of met de dichtstbijzijnde erkende Davey Service center voor zwembaduitrustingen.. Als meer hulp vereist is, kunt u contact opnemen met de Davey Klantenservice op het adres dat in deze handleiding wordt vermeld.

## 10. DE POMP VAN DE SLANGEN AFKOPPELEN

Als u de pomp moet afkoppelen, volgt u de deze instructies:

1. Schakel de stroom uit en verwijder de stekker uit het contact.



**OPMERKING: Als de pomp is aangesloten op een timer of een andere automatische controle, moet de bedrading door een gekwalificeerde elektricien worden verwijderd.**

2. Sluit de waterventielen op de zwembadretour en de inlet van de pompslangen.
3. Verwijder de koppelingen van de afvoer- en afzuigslangen, let op dat u de o-ringen niet kwijt raakt.
4. Verplaats de slangen met de daaraan bevestigde koppelingen tot de pomp vrij getrokken kan worden.



**OPMERKING: Zorg dat u het modelnummer dat te vinden is op het plaatje op de motor, bij de hand hebt als u informatie vraagt over uw Silensor.**

## 11. WATERKWALITEIT

Het handhaven van een evenwichtige chemische watersamenstelling is belangrijk voor de levensduur van uw zwembadpomp. Deze pomp is ontworpen voor gebruik met zwembad- en spawater dat uitgebalanceerd is volgens de Langlier index, met een pH-waarde tussen 7,2 en 7,8 en dat geregeld wordt behandeld met een chloreringsmiddel van een niveau van niet meer dan 3 ppm.

Neem contact op met uw plaatselijke zwembadspecialzaak om uw water regelmatig te testen.



**Routine onderhoudstaken - voor een optimale levensduur van uw zwembaduitrusting en uw persoonlijke veiligheid, controleert u elke week deze checklist. Schakel de pomp eerst uit.**

- a. Zorg dat drukmeters goed werken en dat de werkingsdruk binnen de grenzen ligt zoals op het product wordt gespecificeerd.
- b. Zorg dat elke afzuigangang en de hoofddrain een deksel hebben die veilig is bevestigd en goed werkt.
- c. Zorg dat alle skimmers voorzien zijn van deksels die goed zijn bevestigd en goed werken. Deze moeten om de 3 tot 4 jaar worden vervangen.
- d. Verwijder verstoppingen of vuil uit het deksel van de hoofddrain.
- e. Controleer minstens een keer per week of het skimmermandje en de pompmant vrij zijn van bladeren en afval.
- f. Verwijder obstructies en brandbaar materiaal rond de pompmotor.
- g. Zorg dat alle bedringsaansluitingen schoon zijn en dat de bedrading en de elektrische uitrusting in goede staat verkeren. Beschadigde draden moeten gerepareerd of vervangen worden door een gekwalificeerde elektricien zodra de beschadiging wordt ontdekt.
- h. Controleer het waterevenwicht en de gehalten aan desinfectiemiddelen via uw plaatselijke zwembad specialzaak.



**De elektrische aansluiting en de controles moeten worden uitgevoerd door een gekwalificeerde elektricien volgens de toepasselijke plaatselijke regels en normen. Verkeerde installatie of fouten in de stroomtoevoer kunnen leiden tot brand!**



**GEVAAR - Gevaarlijke afzuiging. Blokkeer de wateringang in het filtersysteem niet met een lichaamsdeel, de druk kan haar of lichaamsdelen vastzuigen en ernstig letsel of overlijden tot gevolg hebben. Blokkeer de afzuiging niet. Zet de pomp onmiddellijk uit als er iemand bekneld raakt.**



**Let op! Voeg niet rechtstreeks chemische middelen toe aan de skimmer. Het toevoegen van onverdunde chemische stoffen kan de pomp en het filter beschadigen en ongeldigheid van de garantie tot gevolg hebben.**



**WAARSCHUWING! Pompzuiging is gevaarlijk en kan leiden tot beknelling, verdrinking of letsel aan de ingewanden van zwemmers. Blokkeer de afzuiging niet. Gebruik geen zwembaden, spa's of spabaden als een zuigerafsluiting kapot is, ontbreekt of los zit. Er moeten bij elke pomp twee zuigerafsluitingen en ingangen verstrekt worden om beknelling in de zuiger te voorkomen.**



# Davey garantie

Davey Water Products Pty Ltd (Davey) garandeert dat alle producten die verkocht worden (bij normaal gebruik en onderhoud) vrij zijn van materiaal- en vervaardigingsdefecten voor een periode van minstens een(1) jaar vanaf de datum van oorspronkelijke aankoop door de klant zoals vermeld op de factuur, voor specifiek garantieperiodes voor alle Davey producten, kunt u kijken op [daveywater.com](http://daveywater.com).

Deze garantie is niet van toepassing op normale slijtage of op een product dat:

- onderwerp is geweest van verkeerd gebruik, verwaarlozing, nalatigheid, schade of ongeval
- gebruikt, gehanteerd of bewaard is op een andere manier dan volgens de instructies van Davey
- niet geïnstalleerd is volgens de installatievoorschriften of door correct gekwalificeerd personeel
- gewijzigd of veranderd is ten opzichte van de originele specificaties of op een manier die niet is goedgekeurd door Davey
- reparatiepogingen of reparaties heeft ondergaan door anderen dan Davey of door Davey erkende dealers
- onderworpen is aan abnormale omstandigheden zoals onjuist voltage, bliksem of hoge spanningspieken of schade door elektrolytische werking, cavitatie, zand, corrosieve, zout houdende of schurende vloeistoffen,

De Davey garantie is niet van toepassing op vervanging van verbruiksgoederen of defecten in producten en onderdelen die door derden aan Davey zijn geleverd (Davey verstrekt echter wel redelijke bijstand bij een beroep op de garantie van die derden).

Om een garantieclaim in te dienen:

- Als u vermoedt dat het product een defect heeft, stop dan met het gebruik ervan en neem contact op met de winkel waar u het hebt gekocht. U kunt ook bellen met de Davey klantendienst of een brief sturen naar Davey via de onderstaande contactgegevens
- Verstrek een aankoopbewijs met de datum van oorspronkelijke aankoop
- Indien dit wordt gevraagd, stuurt u het product terug en/of verstrekt u meer informatie in verband met de claim. Het terugsturen van het product naar de winkel waar u het hebt gekocht, gebeurt op uw kosten en risico.
- De garantieclaim wordt beoordeeld door Davey op basis van hun productkennis en redelijke oordeel en wordt geaccepteerd indien:
  - er een relevant defect wordt gevonden
  - de garantieclaim wordt ingediend tijdens de relevante garantieperiode; en
  - er geen sprake is van de hierboven vermelde uitzonderingen

- De klant wordt schriftelijke geïnformeerd over de garantiebeslissing, als de claim als ongeldig wordt beschouwd, moet de klant op zijn kosten het afhalen van het product regelen of toestemming geven voor het afvoeren van het product.

Als Davey de claim als geldig beschouwt, wordt het product naar inzicht van Davey gratis vervangen of gerepareerd.

De Davey garantie is een aanvulling op de rechten op grond van plaatselijke consumentenwetgeving. U hebt recht op vervanging of terugbetaling voor een groot defect en op vergoeding voor alle redelijk voorzienbare verlies of schade. U hebt recht op reparatie of vervanging van de goederen als deze niet van acceptabele kwaliteit zijn en dit niet het gevolg is van een groot defect.

Voor producten die aangesloten zijn op internet is de gebruiker verantwoordelijk voor een stabiele internetverbinding. In geval van een netwerkstoring moet de gebruiker contact opnemen met zijn provider. Het gebruik van een app is geen vervanging voor zorgvuldige controle door de gebruiker van correcte werking van het product. Het gebruik van de Smart Product App vindt plaats op eigen risico van de gebruiker. Voor zover wettelijk toegestaan wijst Davey alle aansprakelijkheid en garanties af betreffende de nauwkeurigheid, volledigheid of betrouwbaarheid van App gegevens. Davey is niet aansprakelijk voor direct of indirect verlies, schade of kosten van de gebruiker die voortvloeien uit eheter vertrouwen op internetverbinding. De gebruiker vergoedt en vrijwaart Davey voor en tegen claims en rechtszaken van hen of anderen in verband met het vertrouwen op internetverbinding of app gegevens.

Producten die worden aangeboden voor reparatie kunnen in plaats van reparatie, vervangen worden door gerenoveerde goederen van hetzelfde type. Er kunnen gerenoveerde onderdelen worden gebruikt om de producten te repareren. De reparatie van uw producten kan leiden tot verlies van door de gebruiker ingevoerde informatie. Zorg dat u een kopie hebt van alle gegevens die op uw producten zijn opgeslagen.

Voor zover wettelijk toegestaan is Davey niet aansprakelijk voor winstderving of indirecte, bijzondere of gevolgschade, verlies of letsel van enigerlei aard dat direct of indirect voortvloeit uit Davey producten. Deze beperking is niet van toepassing op aansprakelijkheid van Davey voor niet-nakoming van een consumentengarantie die van toepassing is op uw Davey product onder lokale wetgeving en heeft geen invloed op rechten en verhaal op grond van lokale wetgeving.

Een complete lijst van Davey dealer is te vinden op onze website ([daveywater.com](http://daveywater.com)) of verkrijgbaar via telefoonnummer:

## DAVEY

Davey Water Products Pty Ltd  
Member of the GUD Group  
ABN 18 066 327 517

[daveywater.com](http://daveywater.com)

### AUSTRALIË

**Hoofdkantoor**  
6 Lakeview Drive,  
Scoresby, Australia 3179  
Ph: 1300 232 839  
Fax: 1300 369 119  
Email: [sales@davey.com.au](mailto:sales@davey.com.au)

### NIEUW-ZEELAND

7 Rockridge Avenue,  
Penrose, Auckland 1061  
Ph: 0800 654 333  
Fax: 0800 654 334  
Email: [sales@dpw.co.nz](mailto:sales@dpw.co.nz)

### EUROPA

7 rue Eugène Hénaff 69200  
Vénissieux, France  
Ph: +33 (0) 4 72 13 95 07  
Fax: +33 (0) 4 72 33 64 57  
Email: [info@daveyeurope.eu](mailto:info@daveyeurope.eu)

### NOORD-AMERIKA

Ph: 1-888-755-8654  
Email: [info@daveyusa.com](mailto:info@daveyusa.com)

### MIDDEN OOSTEN

Ph: +971 50 6368764  
Fax: +971 6 5730472  
Email: [info@daveyuae.com](mailto:info@daveyuae.com)

\* Bij aankoop is een Snelle referentiegids bij het product gevoegd, voor gedetailleerde instructies kunt u kijken op [daveywater.com](http://daveywater.com), scan de QR code op de Snelle referentiegids/Davey productetiket (indien van toepassing) of neem contact op met plaatselijke Davey kantoor.



# DAVEY

**SILENSOR**<sup>®</sup> by **DAVEY**

## Bombas para Piscinas

Modelos:

SLS100, SLS100E, SLS150, SLS150E, SLS200, SLS300, SLL1503F,  
SLL150E, SLL200, SLL2003F, SLL200E, SLL300, SLL3003F, SLL300E,  
SLL400, SLL4003F, SLL400E

## Instruções de Instalação e Funcionamento



**AVISO:** O não cumprimento destas instruções e a não observância de todos os códigos aplicáveis pode causar lesões corporais e/ou danos materiais graves.

A instalação deste produto deve ser levada a cabo por uma pessoa com conhecimento dos requisitos de chumbagem das piscinas que siga as instruções de instalação fornecidas neste manual.

**Por favor, transmita estas instruções ao operador deste equipamento.**

# ÍNDICE

<b>1. A SUA DAVEY SILENSOR .....</b>	<b>51</b>
<b>2. LOCAL .....</b>	<b>51</b>
<b>3. PROTEÇÃO CLIMÁTICA.....</b>	<b>52</b>
<b>4. LIGAÇÕES ELÉTRICAS .....</b>	<b>52</b>
4.1 Ligações unifásicas .....	52
4.1.1. Cablagem .....	53
4.2 Ligações trifásicas.....	53
4.2.1. Cablagem .....	53
<b>5. LIGAÇÕES DA CANALIZAÇÃO .....</b>	<b>54</b>
5.1 Austrália e Nova Zelândia .....	54
5.2 Europa.....	54
<b>6. ESPECIFICAÇÕES TÉCNICAS .....</b>	<b>55</b>
6.1 Desempenho hidráulico.....	55
6.2 Dados elétricos.....	55
6.3 Limites operativos .....	56
6.4 Dimensões .....	56
<b>7. ARRANQUE DA BOMBA .....</b>	<b>56</b>
<b>8. FUNCIONAMENTO DA BOMBA.....</b>	<b>56</b>
<b>9. RESOLUÇÃO DE PROBLEMAS.....</b>	<b>57</b>
<b>10. REMOÇÃO DA BOMBA     DA CANALIZAÇÃO .....</b>	<b>57</b>
<b>11. QUALIDADE DA ÁGUA.....</b>	<b>58</b>
<b>GARANTIA DA DAVEY .....</b>	<b>60</b>

Antes de utilizar esta bomba, deve garantir o seguinte:

- A bomba está instalada num ambiente seguro e seco
- O suporte da bomba tem um sistema de drenagem adequado em caso de fuga
- Todas as fichas de transporte foram removidas
- A canalização está corretamente vedada e firmemente apoiada
- A bomba foi corretamente preparada
- A fonte de alimentação está corretamente ligada
- Foram tomadas todas as medidas para um funcionamento seguro

Os detalhes apropriados referentes a todos estes itens estão contidos nas instruções de Instalação e Funcionamento que se seguem. Leia-os na íntegra antes de ligar esta bomba. Se não tiver a certeza acerca de qualquer uma destas Instruções de Instalação e Funcionamento, contate o seu representante Davey ou o escritório Davey apropriado constante na lista do verso deste documento.

## 1. A SUA DAVEY SILENSOR

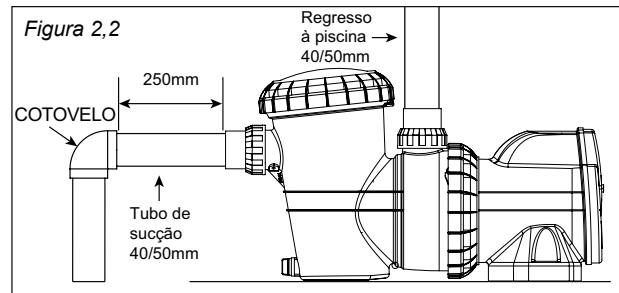
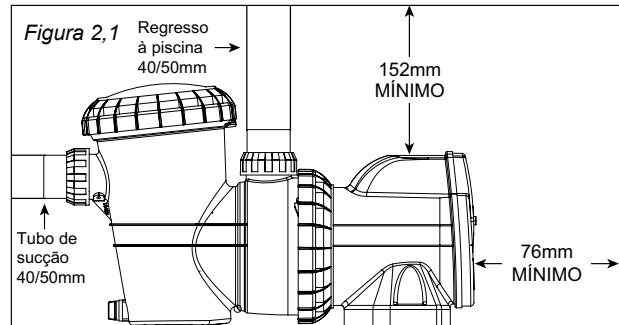
Parabéns pela sua compra de um produto de qualidade da gama Davey de Equipamento para Piscina e Spa. As bombas para piscina Davey Silensor foram concebidas para fazerem circular a água da piscina e do spa nas condições estipuladas pela Norma Australiana para a qualidade da água das piscinas (AS 3633), ou equivalente local. Não deverá utilizá-las para nenhum outro fim sem primeiro consultar o seu Representante Davey ou o Centro de Assistência a Clientes Davey. Para ver os detalhes de contacto, por favor, consulte a página de verso deste manual.

A Davey projeta e constrói os seus próprios motores elétricos especialmente para as bombas que produz. O motor adaptado e a "extremidade de bombagem" foram concebidos para proporcionar a operação mais silenciosa possível, produzindo, ao mesmo tempo, o máximo caudal de água. O inovador motor arrefecido a água da Davey incorpora a proteção manual contra sobrecargas com um termostato automático integrado concebido para proteger o motor contra sobreaquecimento. Esta proteção também impede os danos provocados pelo "funcionamento a seco". Todas as bombas para piscina Silensor da Davey são testadas exaustivamente sob um conjunto de pressões e de parâmetros de desempenho mecânico, da tensão e da corrente. A tecnologia avançada de fabrico de bombas da Davey proporciona um desempenho de bombagem fiável e eficaz preparado para durar.

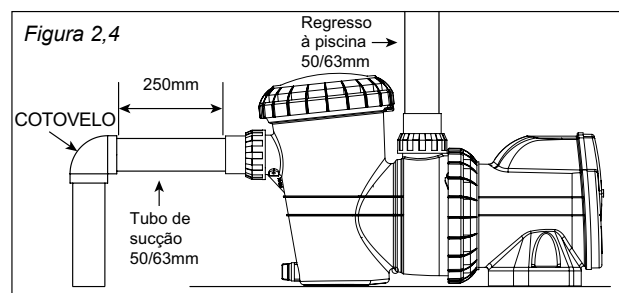
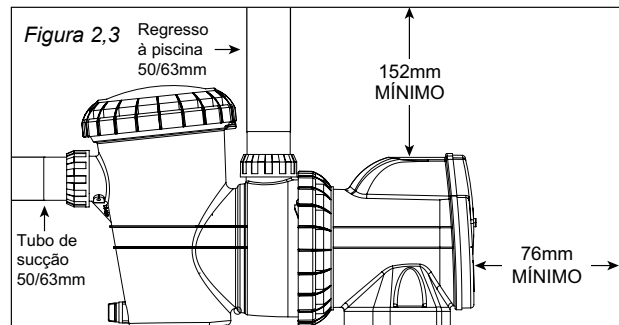
## 2. LOCAL

A bomba deve estar situada o mais próximo possível da água e ser montada sobre uma base firme numa posição bem drenada, suficientemente elevada para impedir inundações. É da responsabilidade do instalador/proprietário instalar a bomba num local em que a placa identificativa possa ser facilmente lida e prontamente alcançada para fins de assistência.

### Austrália/Nova Zelândia



### Europa



1. Não instale cotovelos de 90° diretamente na entrada da bomba. Os cotovelos não devem ficar mais próximos do que 250 mm da entrada.
2. Os sistemas de sucção por inundação devem ter válvulas de correção instaladas nos tubos de sucção e de descarga para fins de manutenção, mas a válvula de correção de sucção não deve ser instalada a menos de 250 mm da entrada.
3. Utilize uma válvula de regulação no tubo de descarga quando utilizar esta bomba para qualquer aplicação onde exista uma altura suficiente até à canalização a seguir à bomba.
4. Não se esqueça de instalar válvulas de regulação quando instalar a canalização em paralelo com outra bomba. Esta medida ajuda a prevenir a rotação inversa da turbina e do motor.

### 3. PROTEÇÃO CLIMÁTICA

Recomenda-se que a bomba fique protegida das condições climáticas.



Nos termos da norma EN60335.2.41, somos obrigados a informá-lo de que este aparelho pode ser utilizado por crianças com idades acima dos 8 anos e por pessoas com capacidades físicas, sensoriais ou mentais reduzidas, ou com falta de experiência e conhecimento, se tiverem recebido supervisão ou instruções sobre a utilização do aparelho de uma forma segura e compreendam os perigos envolvidos. A limpeza e manutenção levadas a cabo pelo utilizador não devem ser efetuadas por crianças sem supervisão.

De acordo com a norma AS/NZS 60335.2.41, somos obrigados a informá-lo de que esta bomba não deve ser utilizada por crianças ou pessoas enfermas, nem como um brinquedo para crianças.

### 4. LIGAÇÕES ELÉTRICAS



NOTA: A bomba tem de ser fornecida através de um dispositivo de corrente residual (RCD) com uma corrente operacional residual nominal que não exceda os 30mA.

#### 4.1 Ligações unifásicas



**Informações Importantes:** A sua bomba Davey está Duplamente Isolada do Circuito da Água. Se for necessária uma estrutura de ligação equipotencial, será fornecido uma Tomada de Ligação Equipotencial. (Por favor, consulte os estatutos e regulamentos locais para saber quais as normas de cablagem AS/NZ 3000).



#### NOTA:

1. Certifique-se de que o motor está ligado à fonte de alimentação especificada na placa identificativa.
2. Evite cabos de extensão longos, já que podem causar quebras de tensão acentuadas e problemas de funcionamento.
3. Embora o motor elétrico da Davey esteja especificamente concebido em termos de engenharia para funcionar com várias tensões de alimentação, as avarias ou falhas causadas por condições de fornecimento de tensão adversas não estão abrangidas na garantia.
4. As ligações elétricas e a cablagem devem ser realizadas por um Eletricista Credenciado.
5. No interesse da segurança, aconselhamos que todas as marcas e tipos de bombas para piscinas sejam instalados de acordo com as regras de ligação AS3000 ou equivalentes.
6. Certifique-se de que existe um interruptor de isolamento elétrico localizado com acesso fácil, para que a bomba possa ser desligada em caso de emergência.

As bombas para piscinas Davey Silensor são adequadas para ligação a uma fonte de alimentação nominal de 220/240 volt 50Hz.

Na Europa, a bomba é fornecida com um cabo de 3 metros que deve ser ligado por um electricista.

Na Austrália e Nova Zelândia, estão equipadas com um cabo flexível e uma ficha de 3 pinos. Se não estiver disponível uma tomada elétrica a uma distância de até 3 metros da bomba, terá de ser instalada uma tomada de ligação de 3 pinos num local seguro e seco por um electricista. Os cabos de extensão à volta da piscina não são seguros e devem ser evitados.

Certifique-se sempre de que o condutor de terra incluído é ligado a uma tomada de terra em boas condições. Se o cabo de alimentação deste produto estiver danificado, deverá ser substituído pelo representante ou fabricante.

### 4.1.1 Cablagem

Consulte o esquema que se segue para obter informações sobre como instalar corretamente a sua bomba.

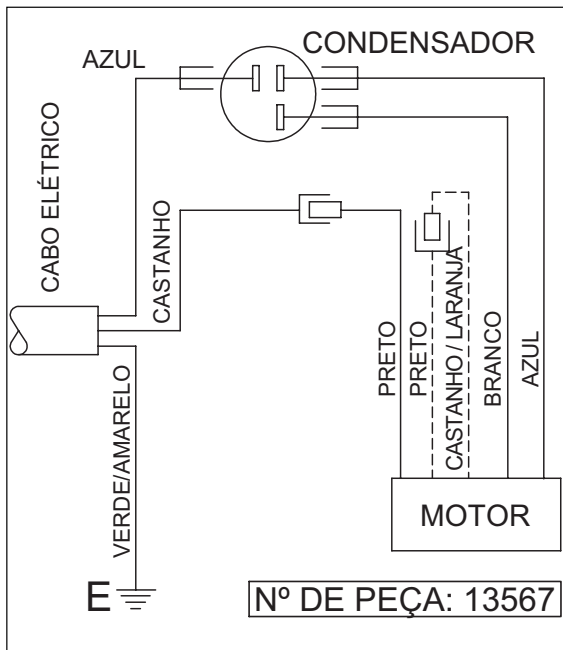


Figura 4,1

Todos os modelos de Silenciador monofásico têm uma proteção integrada de reconfiguração manual contra sobrecargas térmicas, i.e., caso uma sobrecarga térmica num motor force a abertura do circuito e a desconexão do motor, ela não se reconfigurará e não ligará o motor enquanto este não for desligado e ligado de novo.

### 4.2 Ligações trifásicas

Os modelos trifásicos foram concebidos para ligação a uma fonte de alimentação nominal de 400V, mas têm de ser ligados com um com sobrecargas 'quick-trip' (ou M10 nominais) definidas para 4.3 amps.

A Davey recomenda a utilização de sobrecargas que também tenham a capacidade de detetar condições "monofásicas" ou "queda de fase" na fonte de alimentação.

**NOTA:** Os motores trifásicos não têm condensadores instalados na cobertura do condensador.

1. Ligue o cabo associado à corrente trifásica da rede, tendo o cuidado de ligar os fios corretos.
2. Verifique se a rotação da bomba é a correta, do seguinte modo: Remova o parafuso e a anilha (1) da parte de trás da bomba, utilizando uma tomada de 1/2" e remova a cobertura traseira da bomba (2).
3. Verifique se a ligação trifásica está correta ligando o cabo à alimentação e assegure-se de que o eixo do motor está a rodar corretamente no sentido dos ponteiros do relógio. Pode

ser encontrada uma seta direcional na blindagem da extremidade traseira (5).

4. Cuidadosamente, encaixe as ligações e o bloco de terminais de novo no cárter do condensador, assegurando que todos os cabos ficam alojados de modo a que a cobertura traseira não os estrangule quando for instalada
5. Volte a colocar a cobertura traseira da bomba e aperte-a com a porca e a anilha. Certifique-se de que a bomba não assenta no cabo.

### 4.2.1 Cablagem

Consulte o esquema que se segue para obter informações sobre como instalar corretamente a sua bomba.

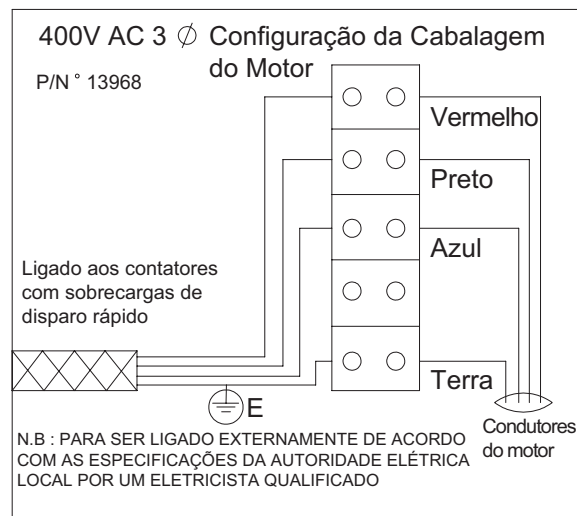


Figura 4,2

**NOTA: APENAS PARA OS MODELOS TRIFÁSICOS**  
 Antes de finalizar as cablagens e antes de preparar a bomba, verifique Se o motor roda na direção da seta (no sentido dos ponteiros do relógio quando o eixo é visto a partir da extremidade da ligação dos cabos). Para alterar a rotação, Altere dois cabos de alimentação quaisquer nos terminais do motor.

**NOTA:** Quando a unidade estiver ligada e a funcionar, o equilíbrio fásico deve ser verificado. Este deve ficar numa variação de 5%. "Rolar" os cabos pode ajudar para melhorar um ligeiro desequilíbrio, mas um desequilíbrio fásico maior é normalmente devido a um desequilíbrio da potência de entrada. Esta questão deve ser resolvida antes de a bomba ser utilizada. Os conetores cilíndricos da Ligação da Canalização têm de ser apertados manualmente. Não são necessários vedantes, colas ou silicones.

Consulte a Figura 4.3 e 4.4 no verso da página.

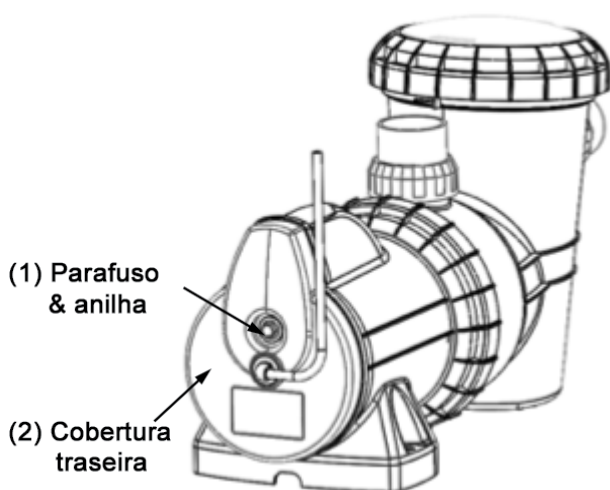


Figura 4,3

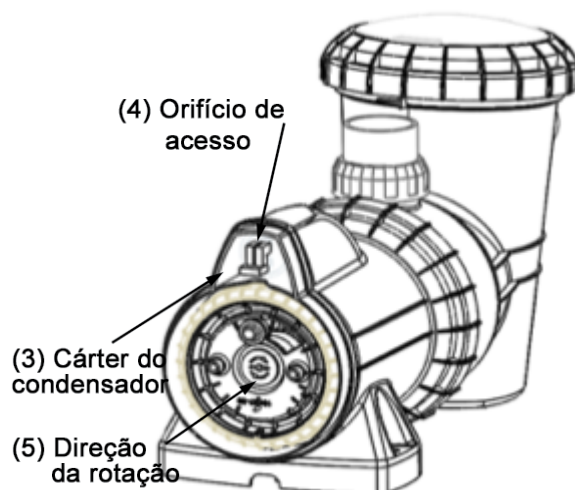


Figura 4,4

## 5. LIGAÇÃO DA CANALIZAÇÃO

É fornecido um conjunto de conetores cilíndricos aplicáveis (europeus ou australianos) para ligação à tubagem desde a piscina. As bombas estão preparadas para aceitar os seguintes tubos em PVC, através do encaixe do tubo ao interior ou exterior da extremidade do conector. Não se recomenda a utilização de qualquer tubo menor do que os especificados em baixo. A tubagem de sucção deve ficar livre de fugas de ar e altos e cavidades que possam causar dificuldades de sucção. A tubagem de descarga da saída da bomba deve ser ligada à conexão de entrada do filtro da piscina (normalmente, na válvula de controlo do filtro).

### 5.1 Austrália e Nova Zelândia

Modelo	PVC de entrada	Posição	PVC de saída	Posição
<b>SLS100-300</b>	Tubo de 1,5" ou encaixe de 2"	ID OD	Tubo de 1,5" ou encaixe de 2"	ID OD
<b>SLL200</b>	Tubo de 1,5" ou encaixe de 2" ou tubo de 2"	ID OD ID	Tubo de 1,5" ou encaixe de 2" Tubo de 2"	ID OD ID
<b>SLL300/400</b>	Tubo de 1,5"	ID	Tubo de 2"	ID

### 5.2 Europa

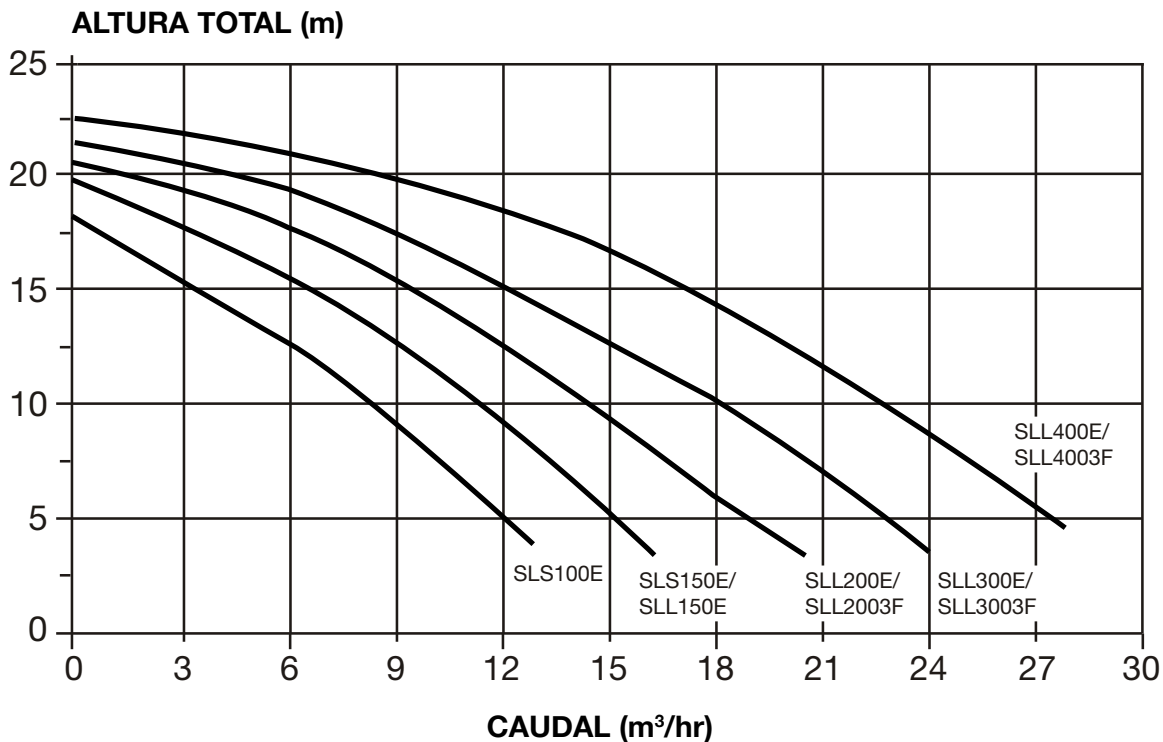
Modelo	PVC de entrada	Posição	PVC de saída	Posição
<b>SLS100E/ SL-S150E</b>	Tubo de 1,5" (50 mm) ou encaixe de 2" (63 mm)	ID OD	Tubo de 1,5" (50 mm) Tubo de 2" (63 mm)	ID OD
<b>SLL150E, SL-L200E, SLL2003F</b>	Tubo de 1,5" (50 mm) ou encaixe de 2" (63 mm) ou tubo de 2" (63mm)	ID OD ID	Tubo de 1,5" (50 mm) Tubo de 2" (63 mm) Tubo de 2" (63mm)	ID OD ID
<b>SLL300E, SL-L400E, SLL3003F, SLL4003F</b>	Tubo de 2" (63mm)	ID	Tubo de 2" (63mm)	ID



Os acessórios deste produto são fabricados em ABS. Certos compostos de junção de PVC são incompatíveis com o ABS. Verifique a adequabilidade dos compostos antes da utilização. Os conetores cilíndricos devem ser apertados manualmente. Não são necessários vedantes, colas ou silicões. Se a bomba e o filtro estiverem localizados abaixo do nível da água da piscina, será necessário instalar válvulas isoladoras no tubo entre a bomba e a caixa do skimmer e no tubo de retorno que vai desde o filtro à piscina.

## 6. ESPECIFICAÇÕES TÉCNICAS

### 6.1 Desempenho hidráulico



### 6.2 Dados elétricos

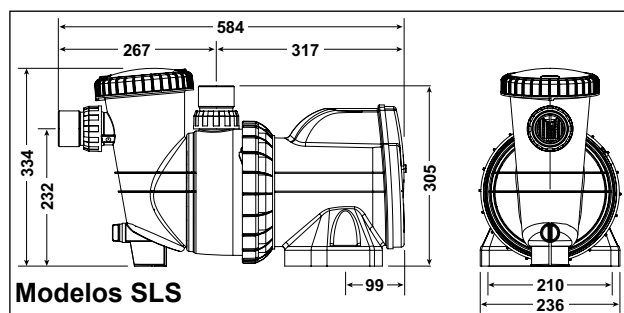
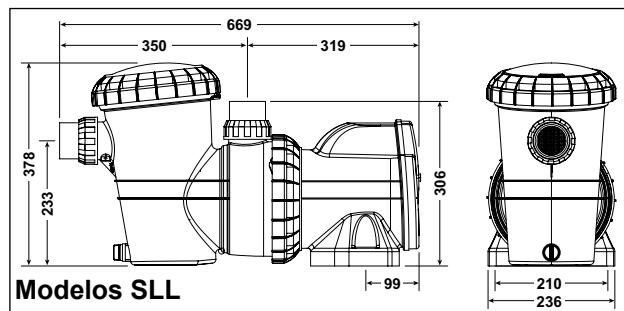
	MONOFÁSICO							
Modelo	SLS100(E)	SLS150(E)	SLS200	SLS300	SLL150(E)	SLL200(E)	SLL300(E)	SLL400(E)
Tensão (V)	220-240 ~							
Frequência de alimentação (Hz)	50							
Potência de Entrada P <sub>1</sub> (W/hp)	740/1.0	860/1.2	1090/1.5	1400/1.9	860/1.2	1130/1.5	1400/1.9	1760/2.4
Potência de Saída P <sub>2</sub> (W/hp)	525/0.7	620/0.8	775/1.0	960/1.3	620/0.8	830/1.1	960/1.3	1200/1.6
Velocidade Nominal (rpm)	2850							
Classe do Cárter (IP.)	56							
Classe de Isolamento	F							
Aprovação N°	A/10EA							
Comprimento do Cabo	3m							

	Trifásico		
Modelo	SLL2003F	SLL3003F	SLL4003F
Tensão (V)	380-440 ~		
Frequência de alimentação (Hz)	50		
Potência de Entrada P <sub>1</sub> (W/hp)	1090/1.5	1400/1.9	1760/2.4
Potência de Saída P <sub>2</sub> (W/hp)	830/1.1	960/1.3	1200/1.6
Velocidade Nominal (rpm)	2850		
Classe do Cárter (IP.)	56		
Classe de Isolamento	F		
Aprovação N°	A/10EA		
Comprimento do Cabo	3m		

## 6.3 Limites operativos

Modelo	SLS100(E)	SLS150(E)	SLS200	SLS300	SLL150(E)	SLL200(E)	SLL300(E)	SLL400(E)
Altura total máx. (m)	16	20	21	22	20	21	22	23
Temperatura máx. da água	40°C							
Temperatura ambiente máx.	40°C							
Nível de ruído (AS 5102.2)	54 – 56 dBa							

## 6.4 Dimensões



## 7. ARRANQUE DA BOMBA

Para um funcionamento eficaz e para evitar danos na bomba, a água deve fluir livremente da, e para a, bomba. Antes de começar, certifique-se de que:

- toda a canalização está corretamente selada.
  - o nível de água da piscina/spa tem a altura correta.
  - todas as válvulas apropriadas estão abertas e nada impede o fluxo de água através do sistema.
1. Primeiro, prepare a bomba removendo a tampa do cesto do filtro e enchendo a área do cesto do filtro com água. Volte a colocar a tampa, assegurando que fica hermética no o-ring grande.
  2. Ligue-a à fonte de alimentação e inicie-a.
  3. Permita que a bomba funcione, para que o ar concentrado no interior seja expelido.
  4. Se não for deitada água na bomba, no máximo dentro de aproximadamente 2 minutos, conforme evidenciado por um forte caudal de água, desligue a bomba e repita o procedimento. A presença contínua de ar sob a tampa do filtro indica uma fuga de ar na tubagem de sucção, que deve ser retificada para se evitem danos na bomba.

## 8. FUNCIONAMENTO DA BOMBA

Para um desempenho otimizado da bomba, o suporte do cesto do filtro deve estar sempre cheio de água e sem bolhas de ar. O nível de água da piscina deve ser sempre mantido em, pelo menos, metade da caixa do skimmer, para assegurar que existe permanentemente água na bomba. De vez em quando, pode ser necessário deitar de novo água na bomba. Esta operação deve ser realizada conforme descrito acima.



**Nunca ponha a bomba a funcionar sem água. O funcionamento da bomba a seco pode danificar os vedantes mecânicos, causando fuga e inundação. Os danos causados pelo funcionamento a seco e danos associados não estão abrangidos pela garantia. A Silensor incorpora uma proteção contra o funcionamento a seco que terá de ser reconfigurada desligando-se a fonte de alimentação, o que reduz danos potenciais.**

### 8.1 Esvaziar o cesto do filtro

O cesto do filtro deve ser inspecionado frequentemente através da tampa transparente e esvaziado quando for evidente uma acumulação de sujidade. As instruções abaixo devem ser seguidas.

1. Desligue a bomba.
2. Feche todas as válvulas da canalização.
3. Desaparafuse a tampa do cesto do filtro no sentido contrário ao dos ponteiros do relógio e remova-a.
4. Remova a tampa do cesto do filtro levantando-a e retirando-a do suporte.
5. Esvazie os detritos acumulados no cesto. Lave-os com uma mangueira, se necessário.
6. Verifique se o cesto do filtro tem rachas e volte a colocá-lo na bomba se estiver tudo bem.
7. Coloque de novo a tampa e certifique-se de que fica hermeticamente fechada no grande o-ring de borracha. É forçoso apertá-la manualmente com firmeza. O o-ring e o filamento roscado podem ser lubrificados com Hydra slip ou produtos equivalentes.
8. Abra todas as válvulas da canalização.



**Qualquer falha de cumprimento da manutenção regular pode causar danos não abrangidos pela garantia.**



## 9. RESOLUÇÃO DE PROBLEMAS

**Se a bomba funcionar, mas não existir caudal de água, ou existir um caudal reduzido, pode aplicar-se a seguinte condição:**

1. O filtro requer uma lavagem ou está bloqueado. Consulte a secção relevante do Manual do Filtro.
2. Não foi deitada água na bomba. Deite de novo água na bomba conforme as instruções da secção 'Arranque da bomba'
3. Existem fugas de ar na tubagem de sucção. Verifique todas as tubagens e elimine as fugas, verificando também se existe alguma tampa do cesto do filtro solta. Bolhas de ar no caudal de água que volta para a piscina indicariam uma fuga na sucção para a bomba, permitindo a entrada de ar na canalização.
4. Uma fuga no vedante do eixo da bomba também pode impedir a operação. Uma evidência desta situação seria água no chão debaixo da bomba.
5. A bomba não consegue extrair água da piscina. Verifique se as válvulas para a bomba estão totalmente abertas e se o nível de água da piscina chega à caixa do skimmer.
6. Bloqueio na tubagem ou na bomba. Remova o cesto do filtro e verifique se existe algum bloqueio na entrada da turbina da bomba. Verifique se existe algum bloqueio na caixa do skimmer.

**Se a bomba não funcionar, podem aplicar-se as seguintes condições:**

1. A alimentação não está ligada. Apenas para 240 volts (Monofásica), verifique o ponto de alimentação ligando um aparelho portátil para garantir que existe energia. Verifique também os fusíveis e o interruptor da fonte de alimentação principal
2. A sobrecarga automática dispara a seguir a um período de sobreaquecimento. A bomba tem uma sobrecarga térmica integrada que se reconfigura após o motor arrefecer e a fonte de alimentação ser repostada (desligue e volte a ligar). Determine a causa do disparo da sobrecarga e retifique.
3. Um bloqueio está a impedir a bomba de rodar.
4. O motor está queimado - o cheiro a queimado é evidente. É necessária a sua substituição.

Se não conseguir resolver nenhuma dificuldade de instalação ou operação da sua Silensor, contate o fornecedor onde a adquiriu ou o seu Centro de Assistência a Equipamento para Piscinas Davey autorizado. Se for necessária mais assistência, contate o Centro de Assistência a Clientes Davey para a morada indicada neste manual.

## 10. REMOÇÃO DA BOMBA DA CANALIZAÇÃO

Caso seja necessário remover a bomba, siga estas instruções:

1. Desligue a alimentação e remova a ficha da fonte de alimentação.



**NOTA: Se a bomba estiver ligada a um temporizador ou a outro controlo automático, a ligação deve ser removida por um electricista credenciado.**

2. Feche as válvulas de água da via de retorno à piscina e a canalização de entrada da piscina.
3. Remova os conetores cilíndricos de descarga e sucção, tendo o cuidado de não afrouxar os o-rings.
4. Mova a canalização com os conetores cilíndricos ligados até a bomba poder ser puxada sem esforço.



**NOTA: Quando colocar quaisquer questões sobre a sua Silensor, não se esqueça de indicar o número do modelo expresso na placa identificativa localizada no motor.**

## 11. QUALIDADE DA ÁGUA

Manter uma química equilibrada da água é importante para a vida da sua bomba de piscina. Esta bomba foi concebida para ser utilizada com água de Piscina & Spa, equilibrada de acordo com o Índice de Saturação Langlier, com um nível de pH entre 7.2 e 7.8 e é regularmente tratada com um agente de limpeza à base de cloro com um nível que não excede os 3ppm.

Consulte regularmente a sua loja local de produtos para piscina para que a sua água seja testada.



**Tarefas de Manutenção rotineiras** – a fim de maximizar a vida do seu equipamento para piscina e a segurança pessoal, utilize esta lista de controlo uma vez por semana. Primeiro, desligue a bomba.

- a. Certifique-se de que os manómetros estão a funcionar devidamente e que a pressão operacional se encontra dentro dos limites conforme especificados no produto.
- b. Certifique-se de que cada entrada de sucção e o dreno principal têm uma cobertura que está firmemente ligada e em condições de funcionamento seguras.
- c. Certifique-se de que todas as coberturas dos skimmers estão firmemente ligadas e em condições de funcionamento seguras. Estas devem ser substituídas de 3 em 3 ou de 4 em 4 anos.
- d. Remova quaisquer obstruções ou detritos da cobertura do dreno principal.
- e. Certifique-se de que os cestos dos skimmers e os recipientes para cabelos e lixo da bomba estão livres de folhas e detritos, pelo menos, uma vez por semana.
- f. Remova quaisquer obstruções e materiais combustíveis que possam existir em redor do motor da bomba.
- g. Certifique-se de que todas as ligações elétricas estão limpas e que todos os cabos e equipamentos elétricos estão em boas condições. As ligações danificadas devem ser reparadas ou substituídas por um electricista credenciado logo que os danos sejam detetados.
- h. Verifique o equilíbrio da água e os níveis do desinfetante na sua loja local de produtos para piscina.



As ligações e verificações elétricas deve ser realizadas por um electricista credenciado e cumprir com as normas locais em vigor. Uma instalação deficiente ou uma fonte de alimentação fraca podem mesmo resultar em incêndios provocados por faíscas!



**PERIGO - Sucção perigosa.** Não bloqueie a entrada de água no sistema de filtragem em nenhuma parte do corpo, já que a pressão pode prender cabelos ou outras partes do corpo, podendo causar ferimentos graves ou a morte. Não bloqueie a sucção. Desligue imediatamente a bomba se alguém ficar preso.



**Precaução!** Não adicione químicos diretamente ao skimmer da piscina. A adição de químicos não diluídos pode danificar a bomba e o filtro e anular a garantia.



**AVISO!** A sucção da bomba é perigosa e pode prender e afogar ou eviscerar os banhistas. Não bloqueie a sucção. Não utilize, nem ponha a funcionar, piscinas, spas ou jacuzzis, se faltar uma cobertura de sucção ou se estiver quebrada ou solta. Têm de ser fornecidas duas coberturas e entradas de sucção para cada bomba, para se evitar o apresamento por sucção.



## Garantia da Davey

A Davey Water Products Pty Ltd (Davey) garante que todos os produtos vendidos estão (em condições normais de utilização e funcionamento) isentos de defeitos de material e mão-de-obra durante um período mínimo de um (1) ano a partir da data de compra original pelo cliente conforme indicada na fatura. Para ver períodos específicos da garantia para todos os produtos Davey, visite [daveywater.com](http://daveywater.com).

Esta garantia não cobre o uso e desgaste normais, nem se aplica a um produto que:

- tenha sido sujeito a utilização incorreta, falta de cuidado, negligência, dano ou acidente
- tenha sido utilizado, operado ou sujeito a manutenção sem ser de acordo com as instruções da Davey
- não tenha sido instalado de acordo com as instruções de instalação ou por pessoal devidamente qualificado
- tenha sido modificado ou alterado das especificações originais ou de qualquer outra forma não aprovada pela Davey
- tenha tido tentativas de reparação por outras pessoas sem ser a Davey ou os seus representantes autorizados
- tenha sido sujeito a condições anormais, como uma fonte de tensão incorreta, relâmpagos ou picos de alta tensão, ou danos por ação eletrolítica, cavitação, areia, ou líquidos corrosivos, salinos ou abrasivos,

A garantia da Davey não cobre a substituição de quaisquer consumíveis dos produtos ou defeitos nos produtos e componentes que tenham sido fornecidos à Davey por terceiros (embora a Davey preste uma assistência razoável para obter o benefício de qualquer garantia de terceiros).

Para efetuar uma reclamação de garantia:

- Se existirem suspeitas de defeitos no produto, pare de utilizá-lo e contacte o local de compra original. Alternativamente, ligue para a Assistência ao Cliente da Davey ou envie uma carta para a Davey, através dos detalhes de contacto em baixo
- Forneça uma prova ou prova da data de compra original
- Se solicitado, devolva o produto e/ou forneça mais informações relativamente à reclamação. A devolução do produto ao local de compra fica ao seu encargo e responsabilidade.
- A reclamação da garantia será avaliada pela Davey com base nos conhecimentos que tem do produto e no julgamento razoável e será aceite se:
  - for encontrado um defeito relevante
  - a reclamação da garantia deverá ser efetuada durante o período relevante da garantia; e
  - nenhuma das condições excluídas acima listadas for aplicável

- O cliente será notificado da decisão da garantia por escrito e, se se determinar que é inválida, deverá organizar uma recolha do produto ao seu encargo ou autorizar a eliminação da mesma.

Se se determinar que a garantia é válida, a Davey procederá, ao seu critério, à reparação ou substituição do produto gratuitamente.

A garantia da Davey é adicional aos direitos previstos na lei local do consumidor. Tem direito a receber uma peça de substituição ou um reembolso em caso de falha grave e uma indemnização por qualquer outra perda ou dano razoavelmente previsível. Também tem direito a solicitar a reparação ou substituição dos produtos caso não tenham uma qualidade aceitável e a falha não seja muito grave.

Para quaisquer produtos ligados à internet, o consumidor é responsável por assegurar uma ligação à internet estável. Em caso de uma falha de rede, o consumidor terá de encaminhar a questão para o prestador de serviços. A utilização de uma aplicação não substitui a vigilância por parte do utilizador para assegurar que o produto está a funcionar conforme as expectativas. A utilização de uma Smart Product App é da exclusiva responsabilidade do Utilizador. Na máxima medida permitida por lei, a Davey renuncia a quaisquer garantias relativas à precisão ou fiabilidade dos dados da aplicação e ao facto de estarem ou não completos. Davey não se responsabiliza por nenhum prejuízo, dano ou custos diretos ou indiretos ao Utilizador derivados da sua confiança na conectividade à internet. O utilizador deverá indemnizar a Davey contra quaisquer reclamações ou ações legais que tanto ele como terceiros possam levantar por confiarem na conectividade à internet ou nos dados da aplicação.

Os produtos enviados para reparação podem ser substituídos por produtos restaurados do mesmo tipo em vez de reparados. Podem ser utilizadas peças restauradas para reparar os produtos. A reparação dos seus produtos pode resultar na perda de quaisquer dados gerados pelo utilizador. Por favor, certifique-se de que efetuou uma cópia de todos os dados guardados nos seus produtos.

Na medida máxima permitida por lei ou estatutos, a Davey não se responsabiliza por quaisquer perdas de lucros ou por qualquer perda decorrente, indireta ou especial, dano ou lesão de qualquer tipo, derivado direta ou indiretamente dos produtos Davey. Este limite não se aplica a nenhuma das responsabilidades da Davey por incumprimento da garantia do consumidor aplicável ao seu produto Davey ao abrigo da legislação local e não afeta nenhum dos direitos ou recursos que possam estar disponíveis para si na legislação local.

Para obter uma lista completa dos Representantes Davey, visite o nosso [website \(daveywater.com\)](http://daveywater.com) ou ligue para:

## DAVEY

Davey Water Products Pty Ltd  
Member of the GUD Group  
ABN 18 066 327 517

[daveywater.com](http://daveywater.com)

### AUSTRÁLIA

**Sede**  
6 Lakeview Drive,  
Scoresby, Australia 3179  
Ph: 1300 232 839  
Fax: 1300 369 119  
Email: [sales@davey.com.au](mailto:sales@davey.com.au)

### NOVA ZELÂNDIA

7 Rockridge Avenue,  
Penrose, Auckland 1061  
Ph: 0800 654 333  
Fax: 0800 654 334  
Email: [sales@dwp.co.nz](mailto:sales@dwp.co.nz)

### EUROPA

7 rue Eugène Hénaff 69200  
Vénissieux, France  
Ph: +33 (0) 4 72 13 95 07  
Fax: +33 (0) 4 72 33 64 57  
Email: [info@daveyeurope.eu](mailto:info@daveyeurope.eu)

### AMÉRICA DO NORTE

Ph: 1-888-755-8654  
Email: [info@daveyusa.com](mailto:info@daveyusa.com)

### MÉDIO ORIENTE

Ph: +971 50 6368764  
Fax: +971 6 5730472  
Email: [info@daveyuae.com](mailto:info@daveyuae.com)

© Davey é uma marca comercial da Davey Water Products Pty Ltd. © Davey Water Products Pty Ltd 2022. P/N 401459-9PT

\* Está incluído um Manual de Consulta Rápida no produto quando é comprado novo, para obter instruções detalhadas, por favor, visite [daveywater.com](http://daveywater.com), digitalize o código QR no Manual de Consulta Rápida / etiqueta do produto Davey (se aplicável) ou contacte o seu balcão de atendimento local da Davey.

# DAVEY

**SILENSOR**<sup>®</sup> by **DAVEY**

## Bombas de piscina

Modelos:

SLS100, SLS100E, SLS150, SLS150E, SLS200, SLS300, SLL1503F,  
SLL150E, SLL200, SLL2003F, SLL200E, SLL300, SLL3003F, SLL300E,  
SLL400, SLL4003F, SLL400E

## Instalación e instrucciones de funcionamiento



**ADVERTENCIA:** El incumplimiento de estas instrucciones y sus códigos correspondientes podría causar lesiones corporales graves y/o daños materiales.

La instalación de este producto debe realizarla una persona con conocimientos en instalaciones hidráulicas de piscinas siguiendo las instrucciones de instalación de este manual.

**Por favor, facilite estas instrucciones al operador del equipo.**

## **CONTENIDOS:**

<b>1. SU DAVEY SILENSOR</b> .....	<b>63</b>
<b>2. UBICACIÓN</b> .....	<b>63</b>
<b>3. PROTECCIÓN CONTRA LAS CONDICIONES METEOROLÓGICAS ADVERSAS</b> .....	<b>64</b>
<b>4. CONEXIONES ELÉCTRICAS</b> .....	<b>64</b>
4.1 Conexiones monofase.....	64
4.1.1. Conexiones del cableado .....	65
4.2 Conexiones de modelos trifásicos.....	65
4.2.1. Conexiones del cableado .....	65
<b>5. CONEXIONES DE LA TUBERÍA</b> .....	<b>66</b>
5.1 Australia y Nueva Zelanda .....	66
5.2 Europa.....	66
<b>6. ESPECIFICACIONES TÉCNICAS</b> .....	<b>67</b>
6.1 Rendimiento hidráulico.....	67
6.2 Datos eléctricos.....	67
6.3 Límites de funcionamiento .....	68
6.4 Dimensiones.....	68
<b>7. ACTIVACIÓN DE LA BOMBA</b> .....	<b>68</b>
<b>8. FUNCIONAMIENTO DE LA BOMBA</b> .....	<b>68</b>
<b>9. RESOLUCIÓN DE PROBLEMAS</b> .....	<b>69</b>
<b>10. EXTRACCIÓN DE LA BOMBA DESDE LA TUBERÍA</b> .....	<b>69</b>
<b>11. CALIDAD DEL AGUA</b> .....	<b>70</b>
<b>GARANTÍA DAVEY</b> .....	<b>72</b>

Antes de utilizar esta bomba debe asegurarse de que:

- La bomba está instalada en un lugar seco y seguro
- El recinto donde se encuentra la bomba tiene un correcto desagüe en caso de fuga
- Se han retirado todos los tapones de transporte
- Las tuberías están correctamente selladas e instaladas
- La bomba está cebada correctamente
- La fuente de alimentación está correctamente conectada
- Se han seguido todos los pasos necesarios para garantizar un uso seguro

Toda la información necesaria de estos productos se incluye en estas instrucciones de instalación y funcionamiento. Léalas en su totalidad antes de encender la bomba. Si tiene alguna duda sobre estas instrucciones de instalación y funcionamiento, contacte con su proveedor de Davey o la sucursal de Davey correspondiente como se detalla al dorso de este documento.

## 1. SU DAVEY SILENSOR

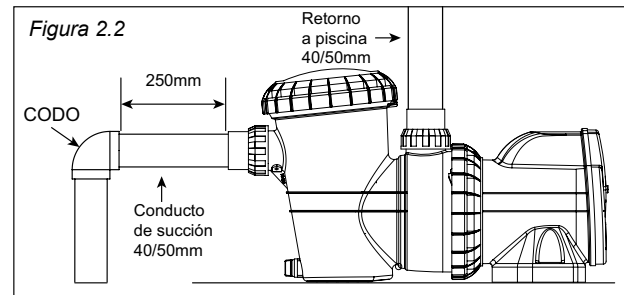
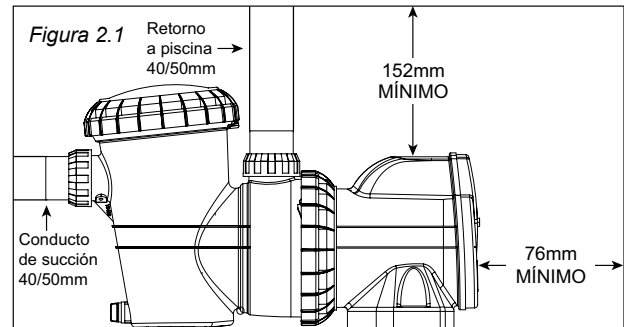
Enhorabuena por la compra de un producto de calidad de la línea de equipamiento de piscinas y spa Davey. La bomba de piscina Davey Silensor está diseñada para distribuir agua de spa y piscina en las condiciones establecidas por la normativa australiana sobre la calidad del agua de piscina (AS 3633) o su equivalente local. No debe usarse con otro fin sin consultar previamente con su distribuidor de Davey o con el centro de asistencia de Davey. Para obtener información de contacto, consulte la última página de este manual.

Davey diseña y construye sus propios motores eléctricos especialmente para sus bombas. El motor asociado y el "aspecto de bombeo" se diseñan para ofrecer el funcionamiento más silencioso permitiendo el máximo caudal de agua. El innovador motor refrigerado por agua de Davey incorpora la protección contra sobrecarga manual con un termostato automático integrado diseñado para evitar que el motor se recaliente. Esta protección también evitará el daño por "funcionamiento en seco". Cada bomba de piscina Davey Silensor está completamente testada contra un número de presión, voltaje, corriente y parámetros de rendimiento mecánico. La avanzada tecnología de fabricación de bombas Davey ofrece productos con un funcionamiento fiable, eficiente y de gran durabilidad.

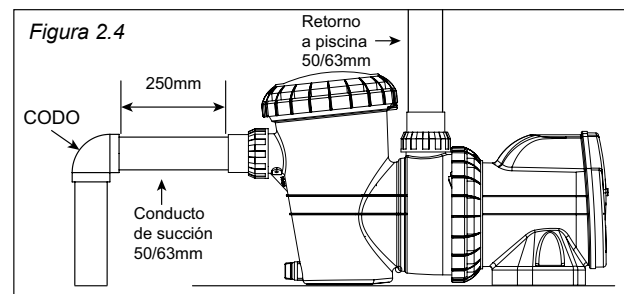
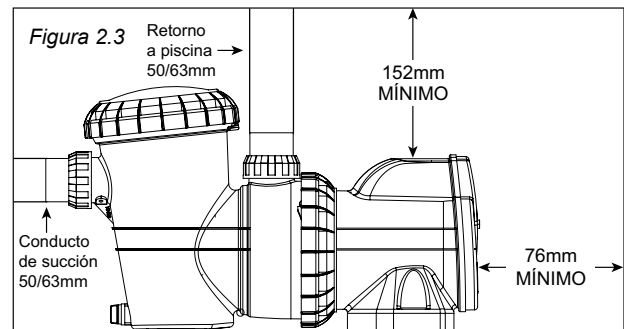
## 2. UBICACIÓN

La bomba debe instalarse lo más cerca posible del agua y montarse sobre una base firme en una posición con buen drenaje, lo suficientemente alta para evitar posibles inundaciones. Es responsabilidad del instalador o propietario colocar la bomba de tal manera que la placa sea fácilmente visible y la bomba esté accesible para su mantenimiento.

### Australia/Nueva Zelanda



### Europa



1. No instale codos de 90° directamente en la entrada de la bomba. Los codos no deben estar a menos de 250 mm de la entrada.
2. Los sistemas de succión de inundación deben tener válvulas de entrada instaladas en las tuberías de succión y descarga para mantenimiento, sin embargo, la válvula de compuerta de succión no debe estar a menos de 250 mm de la entrada.
3. Use una válvula antirretorno en la línea de descarga cuando utilice la bomba para cualquier uso donde haya una altura significativa en las tuberías después de la bomba.
4. Asegúrese de instalar válvulas antirretorno cuando haya tuberías en paralelo con otra bomba. Esto ayuda a evitar la rotación inversa de la turbina y el motor.

### 3. PROTECCIÓN CONTRA LAS CONDICIONES METEOROLÓGICAS ADVERSAS

Se recomienda proteger la bomba de las inclemencias del tiempo.



De conformidad con EN60335.2.41, tenemos la obligación de informarle que este aparato pueden usarlo niños a partir de 8 años y personas con algún tipo de discapacidad física, sensorial o mental o falta de experiencia y conocimientos, siempre y cuando sean supervisados o hayan recibido algún tipo de formación para su uso seguro y sean conscientes de los riesgos que conlleva. Su limpieza y mantenimiento no debe ser realizado por niños sin supervisión de un adulto. En conformidad con AS/NZS 60335.2.41 debemos informarle que esta bomba no está destinada para ser utilizada por niños o personas enfermas y no debe usarse como un juguete.

### 4. CONEXIONES ELÉCTRICAS



NOTA: La bomba debe estar alimentada a través de un interruptor de control de potencia (ICP) con una corriente residual nominal igual o inferior a 30 mA.

### 4.1 Conexiones monofase



Información importante: Su bomba Davey tiene doble aislamiento con el circuito de agua. Si fuera necesaria una estructura de conexión equipotencial, se facilita un punto de conexión equipotencial. (Consulte sus estatutos y/o normativas locales para estándares de cableado equivalentes AS/NZ 3000).



#### NOTA:

1. Asegúrese de que el motor esté conectado a la fuente de alimentación especificada en la placa.
2. Evite las alargaderas largas ya que pueden provocar una pérdida sustancial de voltaje y problemas de funcionamiento.
3. Aunque el motor eléctrico Davey se haya fabricado específicamente para funcionar en un rango de voltajes de alimentación, el mal funcionamiento o los fallos provocados por condiciones adversas del suministro de tensión no están cubiertas por la garantía.
4. Las conexiones eléctricas y las instalaciones eléctricas deben ser llevadas a cabo por un electricista autorizado.
5. Para mayor seguridad, se recomienda que todos los tipos y marcas de bombas de piscina se instalen de conformidad con las normativas sobre cableado AS3000 o equivalentes.
6. Asegúrese de que haya un interruptor de aislamiento eléctrico de fácil acceso, de tal manera que se pueda apagar la bomba en caso de emergencia.

Las bombas de piscina Davey Silensor son adecuadas para conectarse a una fuente de alimentación con una conexión nominal de 220/240 volt 50Hz.

En Europa, la bomba está provista de un cable de 3 metros que debe ser conectado por un electricista.

En Australia y Nueva Zelanda, está equipada con un cable flexible y un enchufe de 3 pines. Si la toma de corriente se encuentra a más de 3 metros de la bomba, es posible que un electricista deba proporcionar un punto de 3 clavijas en un lugar seguro y seco. Los alargadores no son seguros cerca de las piscinas y no deben utilizarse.

Asegúrese siempre de que el conductor de tierra incluido tenga una buena conexión a tierra. Si el cable suministrado con este producto está dañado, debe ser reemplazado por el distribuidor o el fabricante.



### 4.1.1 Conexiones del cableado

Por favor, consulte la siguiente figura para más información sobre cómo instalar la bomba correctamente.

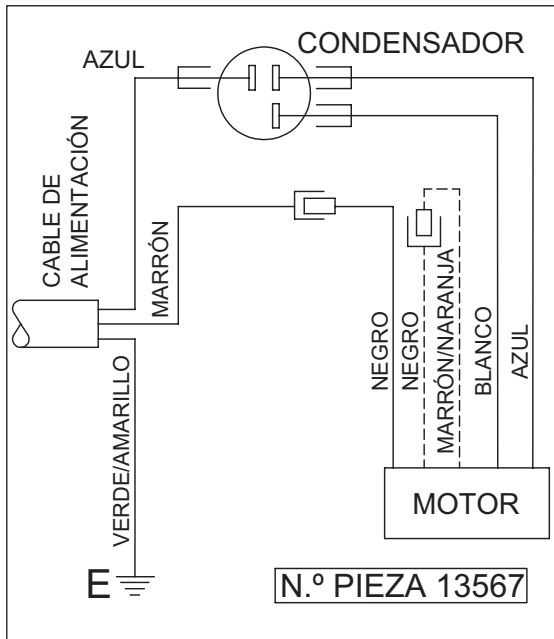



Figura 4.1

Todos los modelos Silensor monofásicos tienen protección contra sobrecarga integrada con reinicio manual, es decir, si la sobrecarga del motor provoca que el calor abra el circuito y apague el motor, no se reiniciará ni encenderá el motor hasta que la alimentación del motor se desconecte y se vuelva a conectar.

### 4.2 Conexiones de modelos trifásicos

Los modelos trifásicos están diseñados para una fuente de alimentación con una conexión nominal de 400V, pero deben conectarse con un contactor con protecciones contra sobrecargas (o valor nominal M10) con "disparador rápido" configuradas a 4.3 amps.

Davey recomienda el uso de protecciones contra sobrecarga que también tengan la capacidad de detectar condiciones de "marcha en monofásico" o "pérdida de fase" en la fuente de alimentación.



**NOTA: Los motores trifásicos no tienen condensadores integrados en la tapa de condensadores.**

1. Conecte el cable a la red eléctrica trifásica teniendo cuidado de unir los cables correctos.
2. Compruebe la correcta rotación de la bomba con las siguientes acciones: Retire el perno y la arandela (1) de la parte trasera de la bomba usando una llave de 1/2" y extraiga la cubierta trasera de la bomba (2).
3. Compruebe que el cableado trifásico sea correcto conectando el cable a la fuente eléctrica y asegúrese de que el eje del motor gire correctamente en sentido de las agujas

del reloj. Se puede encontrar una flecha de dirección en la tapa del cojinete trasera (5).

4. Vuelva a colocar el cableado con cuidado y la regleta en la carcasa del condensador asegurándose de que todos los cables estén de forma que la cubierta trasera no atrape los cables cuando están colocados.
5. Vuelva a colocar la cubierta trasera de la bomba y apriétela con tuerca y arandela. Asegúrese de que la bomba no descansa sobre el cable.

### 4.2.1 Conexiones del cableado

Por favor, consulte la siguiente figura para más información sobre cómo instalar la bomba correctamente.

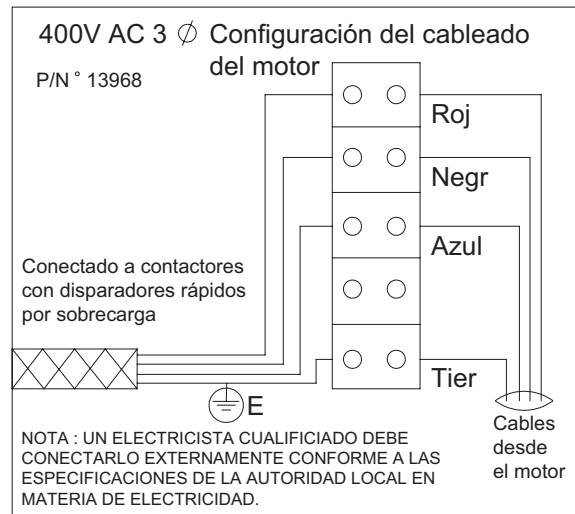




Figura 4.2



**NOTA: SOLO MODELOS TRIFÁSICOS**  
**Antes de finalizar las conexión del cableado y antes de cebar la bomba, compruebe que el motor gire en dirección a la flecha (en el sentido de las agujas del reloj cuando se mire el eje desde el final de la conexión de cableado). Para cambiar la rotación, cambie dos cables de alimentación en los terminales del motor.**



**Cuando la unidad esté conectada y funcionando debería comprobarse el equilibrio de fases. Esto debería estar entre una variación de 5%. "Rodar" los cables puede ayudar a eliminar pequeños desequilibrios, pero normalmente un desequilibrio de fases importante se atribuirá a un desequilibrio de potencia de entrada. Esto debe realizarse antes de usar la bomba. Las uniones de la conexión de la tubería deben ajustarse manualmente. No es necesario el uso de selladores, pegamentos ni siliconas.**

Consulte la Figura 4.3 y 4.4 al dorso.

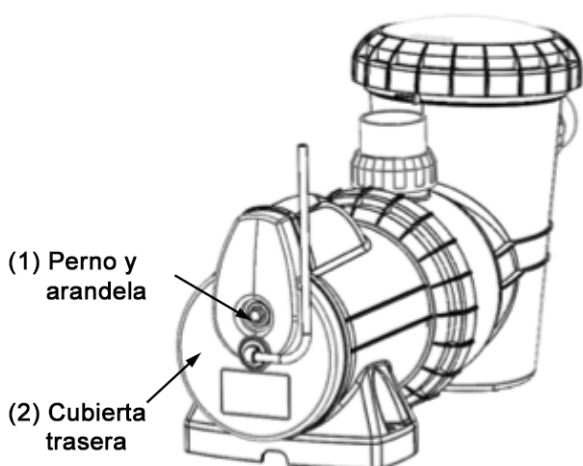


Figura 4.3

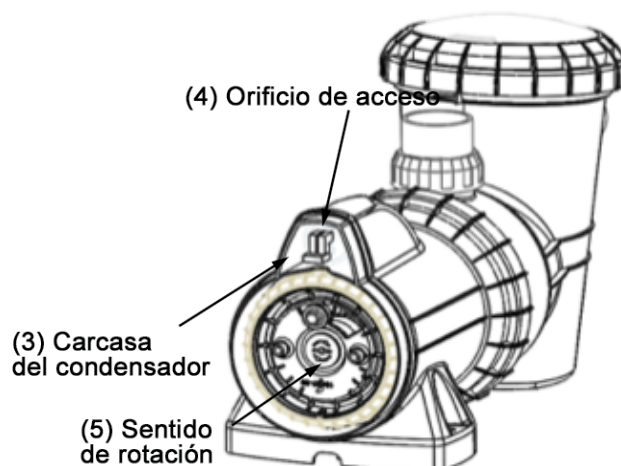


Figura 4.4

## 5. CONEXIONES DE LA TUBERÍA

Se incluye un juego de uniones aplicables (Europa y Australia) para conectarlas a la tubería desde la piscina. Las bombas están diseñadas para recibir las siguientes tuberías de PVC colocando la tubería por el interior o el exterior de la conexión de la unión. No se recomienda el uso de tuberías más pequeñas que las especificadas más abajo. La tubería de succión debe estar libre de fugas de aire, huecos y protuberancias que puedan obstaculizar la succión. La tubería de descarga de la salida de bomba debe conectarse a una conexión de entrada del filtro de la piscina (normalmente en la válvula de control del filtro).

### 5.1 Australia y Nueva Zelanda

Modelo	Entrada de PVC	Posición	Salida de PVC	Posición
SLS100-300	tubería de 1.5" o accesorio de 2"	ID OD	tubería de 1.5" accesorio de 2"	ID OD
SLL200	tubería de 1.5" o accesorio de 2" o tubería de 2"	ID OD ID	tubería de 1.5" accesorio de 2" tubería de 2"	ID OD ID
SLL300/400	tubería de 1.5"	ID	tubería de 2"	ID

### 5.2 Europa

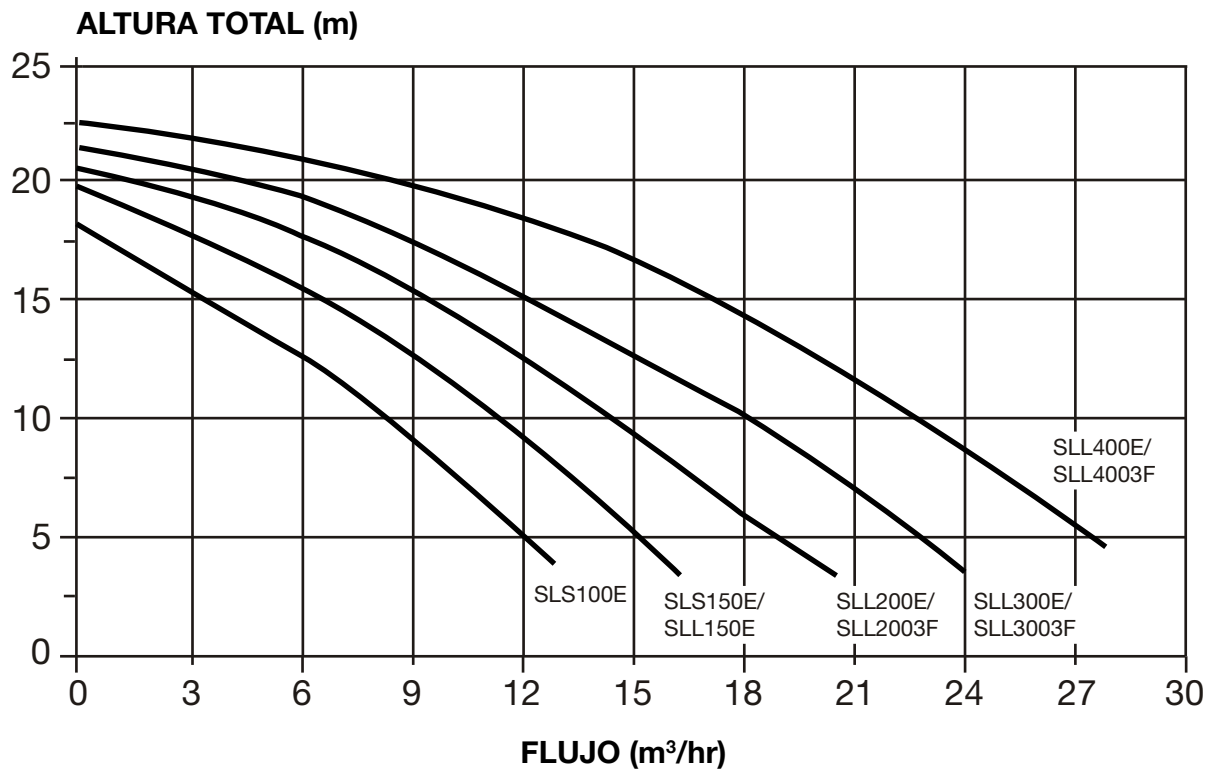
Modelo	Entrada de PVC	Posición	Salida de PVC	Posición
SLS100E, SL-S150E	tubería de 1.5" (50 mm) o accesorio de 2" (63 mm)	ID OD	tubería de 1.5" (50 mm) accesorio de 2" (63 mm)	ID OD
SLL150E, SLL200E, SLL2003F	tubería de 1.5" (50 mm) o accesorio de 2" (63 mm) o tubería de 2" (63mm)	ID OD ID	tubería de 1.5" (50 mm) accesorio de 2" (63 mm) tubería de 2" (63mm)	ID OD ID
SLL300E, SLL400E, SLL3003F, SLL4003F	tubería de 2" (63mm)	ID	tubería de 2" (63mm)	ID



Las piezas de este producto están fabricadas con ABS. Algunos compuestos para juntas de PVC son incompatibles con ABS. Consulte la adecuación de compuestos antes de usarlos. Las uniones deben ajustarse manualmente. No es necesario el uso de selladores, pegamentos ni siliconas. Si la bomba y el filtro están instalados por debajo del nivel del agua de la piscina, es necesario instalar válvulas de aislamiento en la tubería entre la bomba y la caja del skimmer y en la tubería de retorno desde el filtro a la piscina.

## 6. ESPECIFICACIONES TÉCNICAS

### 6.1 Rendimiento hidráulico



### 6.2 Datos eléctricos

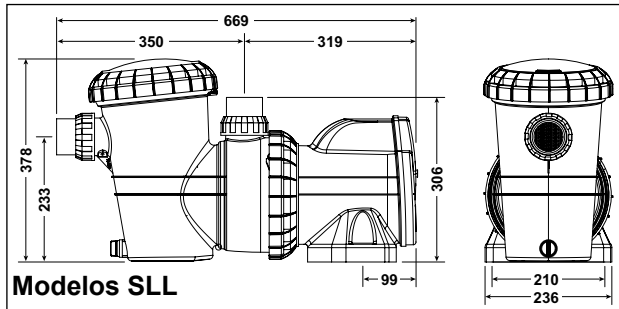
	MONOFASE							
Modelo	SLS100(E)	SLS150(E)	SLS200	SLS300	SLL150(E)	SLL200(E)	SLL300(E)	SLL400(E)
Voltaje (V)	220-240 ~							
Frecuencia de suministro (Hz)	50							
Potencia de entrada P <sub>1</sub> (W/hp)	740/1,0	860/1,2	1090/1,5	1400/1,9	860/1,2	1130/1,5	1400/1,9	1760/2,4
Potencia de salida P <sub>2</sub> (W/hp)	525/0,7	620/0,8	775/1,0	960/1,3	620/0,8	830/1,1	960/1,3	1200/1,6
Velocidad nominal (rpm)	2.850							
Clase de protección (IP)	56							
Clase de aislamiento	F							
N.º de aprobación	A/10EA							
Longitud del cable	3m							

	TRIFASE		
Modelo	SLL2003F	SLL3003F	SLL4003F
Voltaje (V)	380-440 ~		
Frecuencia de suministro (Hz)	50		
Potencia de entrada P <sub>1</sub> (W/hp)	1090/1,5	1400/1,9	1760/2,4
Potencia de salida P <sub>2</sub> (W/hp)	830/1,1	960/1,3	1200/1,6
Velocidad nominal (rpm)	2.850		
Clase de protección (IP)	56		
Clase de aislamiento	F		
N.º de aprobación	A/10EA		
Longitud del cable	3m		

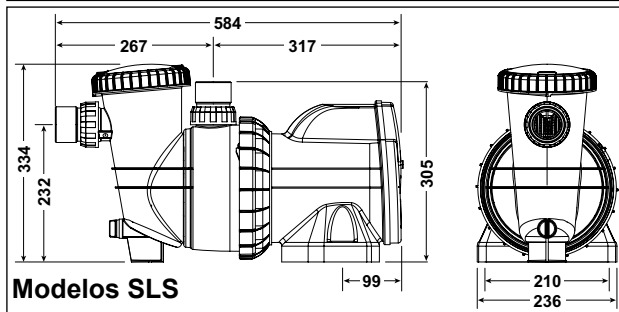
### 6.3 Límites de funcionamiento

Modelo	SLS100(E)	SLS150(E)	SLS200	SLS300	SLL150(E)	SLL200(E)	SLL300(E)	SLL400(E)
ALTURA TOTAL MÁX. (m)	16	20	21	22	20	21	22	23
Temperatura máxima del agua	40°C							
Temperatura ambiente máxima	40°C							
Nivel de ruido (AS 5102.2)	54 - 56 dBa							

### 6.4 Dimensiones



Modelos SLL



Modelos SLS

## 8. FUNCIONAMIENTO DE LA BOMBA

Para un funcionamiento óptimo de la bomba, la caja de la canasta del filtro debe estar llena de agua sin burbujas de aire. El nivel del agua de la piscina debe mantenerse siempre al menos a media altura de la caja de skimmer asegurándose de que el agua esté en la bomba en todo momento. Cada cierto tiempo es necesario volver a cebar la bomba. Esto debe realizarse como se describe más arriba.



**Nunca active la bomba en seco. Activar la bomba sin agua puede dañar las juntas mecánicas, causando fugas e inundaciones. Los daños por la marcha en seco y otros daños asociados no están cubiertos por la garantía. Silensor incorpora un sistema de protección de funcionamiento en seco que deberá reiniciarse desconectando la corriente para minimizar posibles daños.**

## 7. ACTIVACIÓN DE LA BOMBA

Para funcionar de manera eficiente y prevenir daños en la bomba debe haber un flujo de agua libre desde y hacia la bomba. Antes de comenzar asegúrese de que:

- Todas la tuberías estén correctamente selladas.
  - El nivel de agua de la piscina o spa tenga la altura correcta.
  - Todas las válvulas correspondientes estén abiertas y de que no haya nada que imposibilite el flujo de agua a través del sistema.
1. En primer lugar, cebe la bomba quitando la tapa de la canasta del filtro y llénela de agua. Coloque la tapa asegurándose de que encaja en la junta tórica grande.
  2. Conéctela a la fuente de alimentación y enciéndala.
  3. Deje funcionar la bomba de manera que el aire atrapado se expulse.
  4. Si el agua no sale en aproximadamente dos minutos con un fuerte flujo, apague la bomba y repita el proceso. La continua presencia de aire bajo la tapa de la canasta del filtro indica una fuga de aire en la tubería de succión que debería repararse para evitar daños en la bomba.

### 8.1 Vaciado de la canasta del filtro

La canasta del filtro debe revisarse frecuentemente a través de la tapa transparente y vaciarse cuando haya una acumulación de desechos considerable. Deben seguirse las siguientes indicaciones.

1. Apague la bomba.
2. Cierre todas las válvulas de la tubería.
3. Desatornille la tapa de la canasta del filtro en el sentido contrario a las agujas del reloj y retírela.
4. Retire la canasta del filtro tirando hacia arriba de su caja.
5. Retire los residuos atrapados en la canasta. Enjuáguela con agua si es necesario.
6. Compruebe que la canasta del filtro no tenga grietas, si todo está correcto vuelva a colocarla en la bomba.
7. Vuelva a colocar la tapa y asegúrese de que encaja con la junta tórica grande. Apriete manualmente solo si es necesario. La junta tórica y la rosca pueden lubricarse con Hydra slip o productos similares.
8. Abra todas las válvulas de la tubería.



**No realizar un mantenimiento regular puede causar daños no cubiertos por la garantía.**

## 9. RESOLUCIÓN DE PROBLEMAS

**Si se activa la bomba pero no hay flujo de agua o es escaso, puede deberse a las siguientes causas:**

1. El filtro necesita retrolavado o está obstruido. Consulte la sección correspondiente del manual del filtro.
2. La bomba no está cebada. Vuelva a cebarla como se detalla en «Activación de la bomba».
3. Hay fugas de aire en la tubería de succión. Compruebe toda la tubería y repare las fugas, compruebe también que la tapa de la canasta del filtro no esté suelta. Las burbujas de aire en el agua que fluye en la parte trasera de la piscina podrían indicar una fuga en la succión de la bomba permitiendo que el aire entre en la tubería.
4. Una junta del eje de la bomba que gotee también podría impedir su funcionamiento. Prueba de ello sería encontrar agua en el suelo debajo la bomba.
5. La bomba no puede sacar agua de la piscina. Compruebe que las válvulas de la bomba estén completamente abiertas y que el nivel de agua de la piscina esté a la altura de la caja de skimmer.
6. Obstrucción en la tubería o la bomba. Retire la canasta del filtro y compruebe si hay alguna obstrucción en la entrada de la turbina de la bomba. Compruebe que la caja del skimmer no tenga ninguna obstrucción.

**Si la bomba no funciona, puede deberse a las siguientes razones:**

1. La corriente no está conectada. Solo para voltajes de 240 (monofase), compruebe la toma de corriente enchufando un aparato portátil para comprobar que haya corriente. Compruebe también los fusibles y el interruptor del suministro de corriente principal.
2. La sobrecarga automática se activa debido a un sobrecalentamiento. La bomba posee un sistema integrado contra sobrecarga térmica que se autoreseteará una vez que el motor se enfríe y la corriente se haya restablecido (desconectado y conectado). Determine la causa de la sobrecarga y solúciónela.
3. Una obstrucción no permite que la bomba gire.
4. El motor está quemado. El olor a quemado es evidente. Necesita sustituirse.

Si no puede realizar la instalación o tiene problemas con el funcionamiento de su bomba Silensor, contacte con el proveedor donde adquirió la bomba o con su Centro de Atención al Cliente para Equipamiento de Piscinas Davey Autorizado más cercano. Si necesita más ayuda contacte con el servicio de atención al cliente de Davey en la dirección indicada en este manual.

## 10. EXTRACCIÓN DE LA BOMBA DESDE LA TUBERÍA

Si fuera necesario retirar la bomba, siga estas instrucciones:

1. Apague la corriente y desenchufe el conector de la toma de corriente.



**NOTA: Si la bomba está conectada a un reloj registrado u otro control automático, el cable debe ser retirado por un electricista cualificado.**

2. Cierre las válvulas del agua de la línea de retorno a la piscina y de la tubería de entrada de la bomba.
3. Retire las uniones de descarga y succión con cuidado de no extraviar las juntas tóricas.
4. Mueva la tubería con las uniones fijadas hasta que la bomba se pueda extraer sin dificultad.



**NOTA: Cuando haga alguna consulta sobre su Silensor asegúrese de indicar el número de modelo de la placa situada en el motor.**

## 11. CALIDAD DEL AGUA

Mantener un equilibrio químico del agua es importante para la vida de su bomba de piscina. Esta bomba está diseñada para usarse con agua de piscina y spa, equilibrada y en conformidad con el índice de saturación Langlier con un nivel de pH entre 7,2 y 7,8 y tratada regularmente con un agente higienizador de cloro con un nivel igual o inferior a 3 ppm.

Consulte regularmente con su tienda de piscinas local para comprobar el agua.



**Tareas rutinarias de mantenimiento: para prolongar la vida del equipo de su piscina y para su seguridad personal, consulte esta lista una vez por semana. Primero apague la bomba.**

- a. Asegúrese de que los indicadores de presión funcionen correctamente y los valores de presión estén dentro de los límites especificados en el producto.
- b. Asegúrese de que cada entrada de succión y el drenaje principal tengan una cubierta y que estén cerrados correctamente y en unas condiciones de funcionamiento seguras.
- c. Asegúrese de que todas las cubiertas de skimmer estén cerradas correctamente y en unas condiciones de funcionamiento seguras. Estas deben reemplazarse cada 3 o 4 años.
- d. Retire cualquier obstrucción o residuo de la cubierta del sumidero.
- e. Asegúrese, al menos una vez por semana, de que las canastas de skimmer y los recipientes para pelos y pelusas de la bomba no contengan hojas ni residuos.
- f. Retire cualquier obstrucción o combustible cerca del motor de la bomba.
- g. Asegúrese de que todas las conexiones del cableado estén limpias y que todo el equipo eléctrico y de cableado esté en buen estado. El cableado dañado debe ser reparado o reemplazado por un electricista cualificado tan pronto como se detecte el daño.
- h. Compruebe el equilibrio del agua y los niveles de higienización con su tienda de piscinas local.



**Las conexiones eléctricas y las revisiones debe realizarlas una electricista cualificado en cumplimiento con las normativas locales aplicables. ¡Una mala instalación o una mala fuente de alimentación puede producir incluso incendios eléctricos!**



**PELIGRO: Succión peligrosa. No bloquee la entrada de agua al sistema de filtración con ninguna parte del cuerpo ya que la presión puede atrapar el cabello o partes del cuerpo, causando daños graves o la muerte. No obstaculice la succión. Apague la bomba inmediatamente si alguien se queda atrapado.**



**¡Aviso! No añada sustancias químicas directamente al skimmer de la piscina. Añadir sustancias químicas sin diluir puede dañar la bomba y el filtro y dichos daños no están cubiertos por la garantía.**



**ADVERTENCIA: La succión de la bomba es peligrosa y puede atrapar y ahogar o destripar a los bañistas. No obstaculice la succión. No use ni ponga en funcionamiento la piscina, spas o bañeras hidromasajes si la cubierta de succión está rota, extraviada o suelta. Se incluyen dos cubiertas y entradas de succión con cada bomba para evitar posibles atrapamientos por succión.**



# Garantía Davey

Davey Water Products Pty Ltd (Davey) garantiza que todos los productos vendidos estarán (en condiciones normales de uso y mantenimiento) libres de defectos, a nivel de materiales y de fabricación, durante un periodo mínimo de un (1) año, a contar desde la fecha de compra original realizada por el cliente, según conste en la factura. Para consultar los periodos de garantía específicos de todos los productos Davey, visite [daveywater.com](http://daveywater.com).

Esta garantía no cubre el desgaste o deterioro normal ni se aplicará a aquellos productos que:

- hayan sido objeto de mal uso, descuido, negligencia, daño o accidente;
- se hayan usado, manejado o mantenido siguiendo instrucciones diferentes a las de Davey;
- no se hayan instalado conforme a las instrucciones de instalación o mediante personal debidamente cualificado;
- hayan sido modificados o alterados según sus especificaciones originales o de cualquier forma sin la aprobación de Davey;
- no hayan sido reparados, o no se haya intentado repararlos, a través de Davey o sus distribuidores autorizados;
- hayan sido sometidos a condiciones anormales como a una tensión inadecuada, relámpagos o picos de tensión, o daños derivados de la acción electrolítica, la cavitación, la arena o líquidos abrasivos, salinos o corrosivos.

La garantía Davey no cubre la sustitución de ningún producto consumible ni defectos en productos y componentes que hayan sido suministrados a Davey por terceros. No obstante, Davey ofrecerá una asistencia razonable para que se beneficie de cualquier garantía de terceros.

Para hacer una reclamación de garantía:

- Si sospecha que el producto está defectuoso, deje de usarlo y contacte con el establecimiento de compra original. También puede llamar al Servicio de Atención al Cliente de Davey o enviar una carta a Davey dirigida a la dirección que figura más abajo.
- Facilite pruebas o justificantes de la fecha de compra original.
- Si así se solicita, devuelva el producto y/o facilite información adicional relativa a la reclamación. La devolución del producto al establecimiento de compra correrá por su cuenta y será su responsabilidad.
- La reclamación de garantía será valorada por Davey, en función de su conocimiento del producto y su juicio razonable, y se aceptará si se cumple lo siguiente:
  - se detecta un defecto importante;
  - la reclamación de garantía se realiza durante el período de garantía correspondiente;
  - no aplica ninguna de las condiciones de exclusión anteriormente mencionadas.

- Se notificará al cliente la decisión de la garantía por escrito y si no se admite, el cliente deberá organizar la recogida del producto asumiendo los gastos o autorizar su desecho.

Si se admite la reclamación, Davey, según su criterio, reparará o sustituirá el producto de forma gratuita.

La garantía Davey se suma a los derechos recogidos por la legislación local del cliente. Tendrá derecho a una sustitución o devolución por un fallo grave y a compensación por cualquier otra pérdida o daño razonablemente previsible. También tendrá derecho a la reparación o sustitución de los bienes en caso de que estos no tengan una calidad aceptable y el fallo no ascienda a una fallo grave.

Para cualquier producto conectado a internet, el consumidor será el responsable de garantizar una conexión a internet estable. En caso de fallo de la red, el consumidor deberá dirigir su reclamación a su proveedor de internet. El uso de una aplicación no sustituye a la supervisión directa del Usuario para asegurarse de que el producto esté funcionando según lo esperado. El uso de una aplicación de producto inteligente se hace por cuenta y riesgo del Usuario. En la medida más amplia permitida por la ley, Davey renuncia a todas las garantías con respecto a la exactitud, la integridad o la fiabilidad de los datos de la aplicación (app). Davey no se responsabilizará de ninguna pérdida, daño o gasto directo o indirecto para el Usuario que pudiera derivarse de la confianza depositada en la conexión a internet. El Usuario indemnizará a Davey por cualquier reclamación o acción legal que este u otros, que depositen su confianza en la conectividad a internet o los datos de la aplicación, puedan iniciar a este respecto.

Los productos presentados para reparación pueden sustituirse mediante productos restaurados del mismo tipo en lugar de repararlos. Se pueden usar piezas restauradas para reparar los productos. La reparación de los productos puede conllevar la pérdida de datos generados por el usuario. Asegúrese de haber realizado una copia de seguridad de los datos almacenados en sus productos.

En la medida más amplia permitida por la ley, Davey no se responsabilizará por ninguna pérdida de beneficios ni por ninguna pérdida consecuencial, indirecta o especial, daño o lesión de cualquier tipo, derivado directa o indirectamente de cualquier producto Davey. Esta limitación no se aplicará a ninguna responsabilidad de Davey por incumplimiento con una garantía aplicable a su producto Davey conforme a la legislación local y no afecta a ningún derecho o recurso al que pueda acogerse en virtud de la legislación local.

Para una lista completa de los proveedores Davey, visite nuestro sitio web ([daveywater.com](http://daveywater.com)) o llame a:

## DAVEY

Davey Water Products Pty Ltd  
Member of the GUD Group  
ABN 18 066 327 517

[daveywater.com](http://daveywater.com)

### AUSTRALIA

#### Sede principal

6 Lakeview Drive,  
Scoresby, Australia 3179  
Ph: 1300 232 839  
Fax: 1300 369 119  
Email: [sales@davey.com.au](mailto:sales@davey.com.au)

### NUEVA ZELANDA

7 Rockridge Avenue,  
Penrose, Auckland 1061  
Ph: 0800 654 333  
Fax: 0800 654 334  
Email: [sales@dwp.co.nz](mailto:sales@dwp.co.nz)

### EUROPA

7 rue Eugène Hénaff 69200  
Vénissieux, France  
Ph: +33 (0) 4 72 13 95 07  
Fax: +33 (0) 4 72 33 64 57  
Email: [info@daveyeurope.eu](mailto:info@daveyeurope.eu)

### AMÉRICA DEL NORTE

Ph: 1-888-755-8654  
Email: [info@daveyusa.com](mailto:info@daveyusa.com)

### ORIENTE MEDIO

Ph: +971 50 6368764  
Fax: +971 6 5730472  
Email: [info@daveyuae.com](mailto:info@daveyuae.com)

© Davey es una marca comercial de Davey Water Products Pty Ltd. © Davey Water Products Pty Ltd 2022. P/N 401459-9ES

\*Se incluye una guía de consulta rápida con el producto cuando se compra nuevo. Para obtener instrucciones detalladas, visite [daveywater.com](http://daveywater.com), escanee el código QR en la guía de consulta rápida / etiqueta del producto Davey (si corresponde) o comuníquese con su oficina local de Davey.



# DAVEY

## **SILENSOR**<sup>®</sup> by **DAVEY**

### Pompes pour piscine

Modèles :

SLS100, SLS100E, SLS150, SLS150E, SLS200, SLS300, SLL1503F,  
SLL150E, SLL200, SLL2003F, SLL200E, SLL300, SLL3003F, SLL300E,  
SLL400, SLL4003F, SLL400E

## Instructions d'installation et d'utilisation



FR

Cet appareil,  
ses accessoires,  
et cordons  
se recyclent

À DÉPOSER  
EN MAGASIN



À DÉPOSER  
EN DÉCHÈTERIE



OU



**AVERTISSEMENTS** : Le non-respect de ces instructions et de l'ensemble des codes en vigueur peut être à l'origine de blessures et dommages matériels graves.

L'installation de ce produit devrait être effectuée par une personne compétente respectant les exigences, en matière de tuyauterie, inhérentes aux piscines ainsi que les instructions d'installation fournies dans ce manuel.

**Veillez fournir ces instructions à l'utilisateur de cet équipement.**

## **SOMMAIRE :**

<b>1. VOTRE POMPE SILENSOR DE DAVEY.....</b>	<b>75</b>
<b>2. EMPLACEMENT.....</b>	<b>75</b>
<b>3. PROTECTION CONTRE LES INTEMPÉRIES .</b>	<b>76</b>
<b>4. BRANCHEMENTS ÉLECTRIQUES .....</b>	<b>76</b>
4.1 Connexions monophasées.....	76
4.1.1. Câblage.....	77
4.2 Connexions triphasées.....	77
4.2.1. Câblage.....	77
<b>5. RACCORDEMENT DE LA TUYAUTERIE .....</b>	<b>78</b>
5.1 Australie et Nouvelle-Zélande .....	78
5.2 Europe.....	78
<b>6. CARACTÉRISTIQUES TECHNIQUES .....</b>	<b>79</b>
6.1 Performances hydrauliques.....	79
6.2 Données électriques.....	79
6.3 Limites de fonctionnement .....	80
6.4 Dimensions.....	80
<b>7. DÉMARRAGE DE LA POMPE .....</b>	<b>80</b>
<b>8. FONCTIONNEMENT DE LA POMPE.....</b>	<b>80</b>
<b>9. DÉPANNAGE.....</b>	<b>81</b>
<b>10. DÉMONTAGE DE LA POMPE     DE LA TUYAUTERIE .....</b>	<b>81</b>
<b>11. QUALITÉ DE L'EAU .....</b>	<b>82</b>
<b>GARANTIE DAVEY.....</b>	<b>84</b>

Avant d'utiliser cette pompe, assurez-vous de ce qui suit:

- La pompe est installée dans un environnement sûr et sec
- Le boîtier de la pompe assure un drainage adéquat en cas de fuite
- Tous les bouchons de transport sont enlevés
- La tuyauterie est correctement étanchéifiée et soutenue
- La pompe est amorcée correctement
- Le raccordement à l'alimentation électrique est correct
- Toutes les mesures ont été prises pour un fonctionnement sûr

Les détails appropriés pour tous ces éléments figurent dans les Instructions d'installation et d'utilisation suivantes. Nous vous invitons à les lire intégralement avant de démarrer cette pompe. Si vous avez le moindre doute sur les Instructions d'installation et d'utilisation, contactez votre distributeur Davey ou le bureau Davey approprié figurant au verso de ce document.

## 1. VOTRE POMPE SILENSOR DE DAVEY

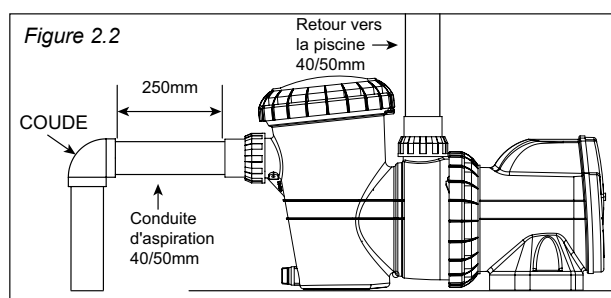
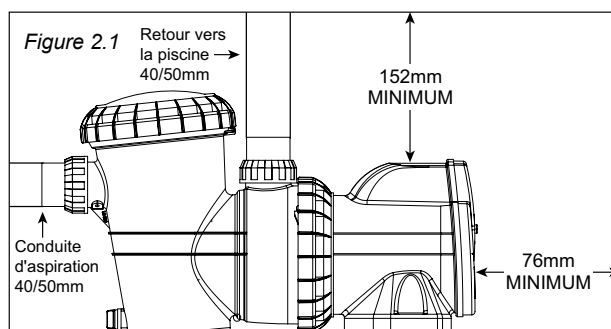
Félicitations pour l'achat d'un produit de qualité de la gamme d'équipements de piscines et de spas de Davey. Les pompes pour piscine Silensor de Davey sont conçues pour faire circuler l'eau d'une piscine ou d'un spa dans les conditions définies dans la norme australienne relative à la qualité de l'eau des piscines (AS 3633) ou à des normes locales équivalentes. Ce produit ne doit pas être utilisé à d'autres fins sans consultation préalable de votre revendeur Davey ou du service clientèle de Davey. Pour connaître les coordonnées, veuillez consulter la dernière page de ce manuel.

La société Davey conçoit et développe ses propres moteurs électriques pour ses pompes. Le moteur et les raccords « côté pompe » sont conçus pour assurer le fonctionnement le plus silencieux tout en offrant un débit maximal. Le moteur refroidi à l'eau novateur de Davey intègre la protection manuelle contre toute surcharge avec un thermostat automatique intégré conçu pour protéger le moteur contre la surchauffe. Cette protection empêchera également les dommages causés par un « fonctionnement à sec ». Chaque pompe pour piscine Silensor de Davey a subi des essais complets avec un certain nombre de paramètres de pression, de tension, d'intensité et de performance mécanique. La technologie de pointe de Davey appliquée aux pompes fournit une performance de pompage fiable et efficace qui dure encore et encore.

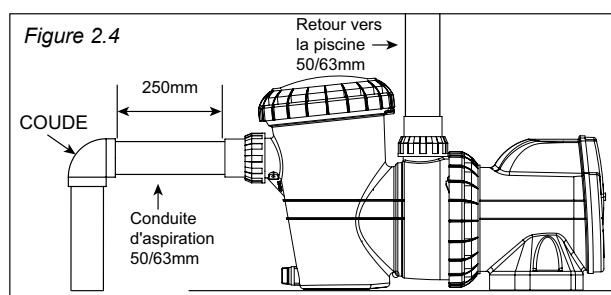
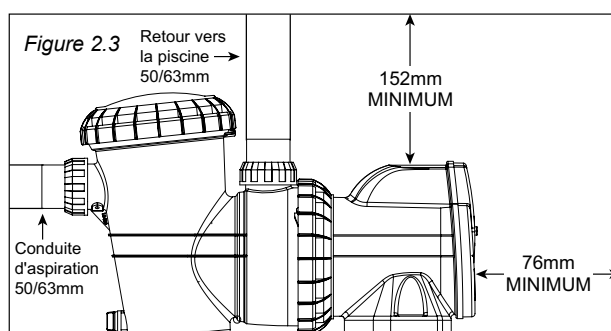
## 2. EMLACEMENT

La pompe doit être placée le plus près possible de l'eau et montée sur une base ferme dans une position bien drainée, suffisamment haut pour éviter un débordement. Il relève de la responsabilité de l'installateur/du propriétaire de placer la pompe de façon à ce que la plaque signalétique soit facilement lisible et que la pompe soit facilement accessible pour une intervention.

### Australie/Nouvelle-Zélande



### Europe



1. N'installez pas de coudes à 90° directement dans l'entrée de pompe. Les coudes doivent être éloignés d'au moins 250 mm de l'entrée.
2. Les systèmes d'aspiration inondée doivent avoir des vannes à guillotine installées sur les conduites d'aspiration et de refoulement pour l'entretien, cependant, la vanne à guillotine d'aspiration doit être éloignée d'au moins 250 mm de l'entrée.
3. Utiliser un clapet antiretour dans la conduite de refoulement en utilisant cette pompe pour toute application dans laquelle il y a une hauteur significative pour la tuyauterie après la pompe.
4. Veillez à installer des clapets antiretour quand la tuyauterie est parallèle à une autre pompe. Cela aide à prévenir une rotation inverse de la turbine et du moteur.

### 3. PROTECTION CONTRE LES INTEMPÉRIES

Il est recommandé de protéger la pompe contre les intempéries.



Conformément à la norme EN60335.2.41, nous avons l'obligation de vous informer que cet appareil peut être utilisé par des enfants de plus de 8 ans et des personnes dont les capacités physiques, sensorielles ou mentales réduites, ou n'ayant pas d'expérience et de connaissance si elles sont supervisées ou ont été instruites concernant l'utilisation de l'appareil d'une manière sûre et comprennent les risques encourus. Le nettoyage et l'entretien ne doivent pas être effectués par des enfants sans surveillance.

Conformément à la réforme AS/NZS 60335.2.41 nous sommes obligés de vous informer que ce dispositif ne doit pas être utilisé par des enfants ou des personnes handicapées et ne doit pas être utilisé comme un jouet par les enfants.

### 4. BRANCHEMENTS ÉLECTRIQUES



**REMARQUE :** La pompe doit être alimentée par un dispositif différentiel à courant nominal de fonctionnement résiduel n'excédant pas 30 mA.

#### 4.1 Connexions monophasées



**Informations Importantes :** Votre pompe Davey est doublement isolée par rapport au circuit d'eau. Si la structure de liaison équipotentielle est nécessaire, un point de liaison équipotentielle est fourni. (Veuillez vous référer à vos normes et/ou réglementations locales pour connaître les normes de câblage AS/NZ 3000).



#### REMARQUE :

1. S'assurer que le moteur soit relié au bloc d'alimentation indiqué sur la plaque signalétique.
2. Éviter les rallonges longues car elles peuvent entraîner une chute de tension importante et des problèmes de fonctionnement.
3. Bien que le moteur électrique de Davey soit spécialement conçu pour fonctionner selon une vaste gamme de tensions d'alimentation, les mauvais fonctionnements ou les défaillances causés par des conditions d'alimentation avec tension négative ne sont pas couverts par la garantie.
4. Les raccordements d'alimentation et le câblage doivent être effectués par un électricien agréé.
5. Pour des raisons de sécurité, nous conseillons d'installer toutes les marques et tous les types de pompes de piscine conformément à la norme AS3000 connue comme la réglementation relative au câblage ou une norme équivalente.
6. Vérifiez qu'il y a un sectionneur électrique facilement accessible pour arrêter la pompe en cas d'urgence.

Les pompes pour piscine Silensor de Davey ne conviennent pas pour le raccordement à une alimentation de tension nominale de 220/240V et 50Hz.

En Europe, la pompe est livrée avec un câble de 3 mètres qui doit être raccordé par un électricien.

En Australie et en Nouvelle-Zélande, les pompes sont dotées d'un câble flexible et d'une fiche à 3 broches. Si aucune prise secteur n'est disponible à moins de 3 mètres de la pompe, il convient de faire installer une prise électrique adéquate à 3 broches dans un endroit sec et sûr par un électricien. Les rallonges sont dangereuses autour des piscines et doivent être évitées.

Toujours s'assurer que la prise de terre soit bien reliée à la terre. Si le câble d'alimentation de ce produit est endommagé, confiez son remplacement au distributeur ou au fabricant.

### 4.1.1. Câblage

Consultez le schéma ci-dessous pour des informations sur l'installation correcte votre pompe.

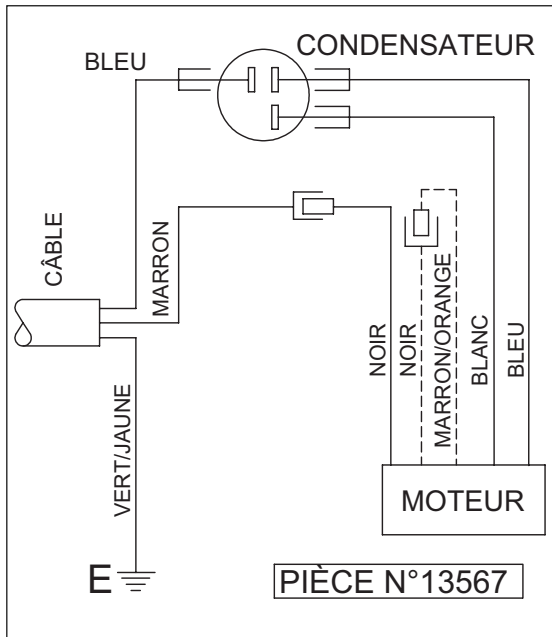


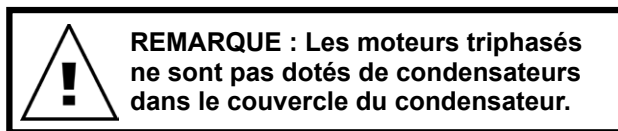
Figure 4.1

Tous les modèles mono-phasés Silensor disposent d'une protection thermique manuelle intégrée réglable contre les surcharges, à savoir qu'une surcharge thermique subie par le moteur pourrait provoquer des dommages thermiques au circuit ouvert et éteindre le moteur, il ne se ré-enclenchera pas et le moteur ne sera pas remis en marche jusqu'à ce que l'alimentation électrique du moteur ait été coupée avant d'être remis sous tension.

### 4.2 Connexions triphasées

Les modèles triphasés sont conçus pour être raccordés à une alimentation nominale de 400V, mais doivent être câblés avec un contacteur avec des surcharges « rapides » (ou M10) réglées à 4,3A.

Davey recommande l'utilisation de surcharges ayant également la capacité de détecter un « phasage simple » ou un « phasage réduit » de l'alimentation.



1. Brancher les câbles joints à la prise de courant triphasée, en prenant soin de brancher les bons fils.
2. Vérifier la bonne rotation de la pompe en : Retirant le boulon et la rondelle (1) à l'arrière de la pompe à l'aide d'une douille de 1/2" avant d'enlever le couvercle arrière de la pompe (2).
3. Vérifier que le câblage triphasé soit correct en branchant le câble d'alimentation et faire en sorte que l'arbre du moteur tourne correctement dans le sens horaire. Une flèche directionnelle se situe sur le capot arrière (5).

4. Ajuster soigneusement les câbles et le bloc terminal à l'arrière du compartiment du condensateur, en veillant à ce que tous les fils soient logés afin que le couvercle arrière ne pince pas les fils une fois monté

5. Replacer le couvercle arrière de la pompe et le fixer avec le boulon et la rondelle. S'assurer que la pompe ne pose pas sur le câble.

### 4.2.1. Câblage

Consultez le schéma ci-dessous pour des informations sur l'installation correcte votre pompe.

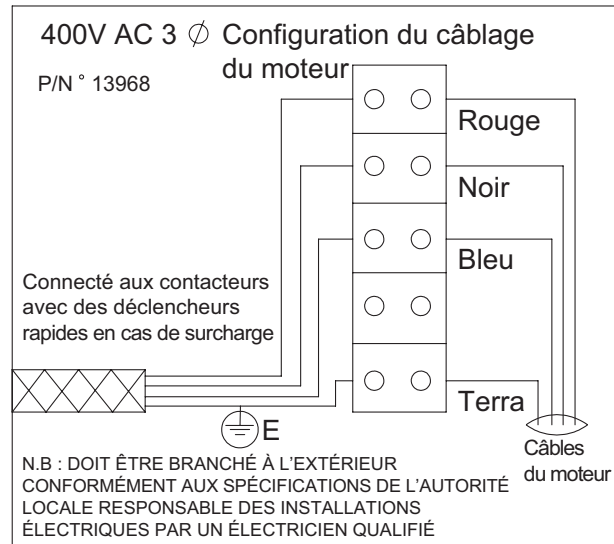


Figure 4.2



**REMARQUE : MODÈLES TRIPHASÉS UNIQUEMENT**  
Avant de finaliser les raccordements électriques et avant d'amorcer la pompe, vérifiez que le moteur tourne dans le sens de la flèche (dans le sens des aiguilles d'une montre lorsque l'axe est vu de l'extrémité de connexion du câblage). Pour modifier la rotation, inverser n'importe quels câbles d'alimentation aux bornes du moteur.



Lorsque l'appareil est branché et en fonctionnement, l'équilibre entre les différentes phases devrait être vérifié. L'écart devrait être de 5 %. « Rouler » les câbles pourrait permettre d'améliorer un petit déséquilibre, mais un déséquilibre majeur sera généralement attribué à un déséquilibre quant à la puissance d'entrée. Ce problème doit être résolu avant que la pompe soit utilisée. Raccordement de la tuyauterie - Les raccords-écrous doivent être serrés à la main. Vous n'avez besoin d'aucun produit d'étanchéité, colle ni silicone.

Voir les Figures 4.3 et 4.4 au verso.

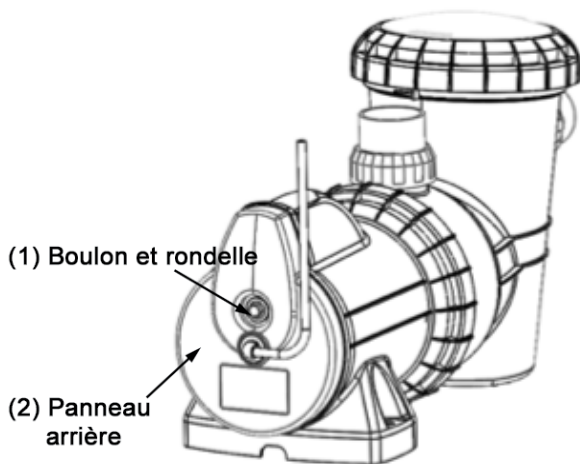


Figure 4.3

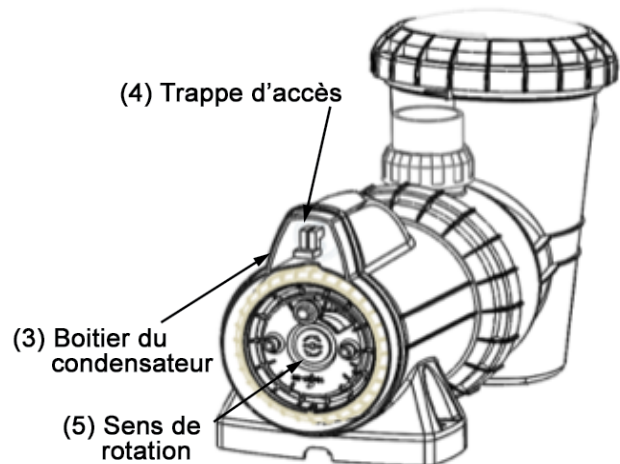


Figure 4.4

## 5. RACCORDEMENT DE LA TUYAUTERIE

Un lot de raccords-écrous (européens ou australiens) est fourni pour raccorder la tuyauterie à la piscine. Les pompes sont conçues pour accepter les tuyaux en PVC suivants en installant le tuyau à l'intérieur ou l'extérieur de l'embout de l'écrou. L'utilisation d'une conduite plus petite que ce qui est spécifié ci-dessous est déconseillée. La tuyauterie d'aspiration doit être exempte de fuites d'air. Les bosses et les cavités causent des difficultés d'aspiration. La tuyauterie de refoulement venant de la sortie de pompe doit être raccordée au raccord d'entrée sur le filtre de la piscine (généralement sur la vanne de régulation du filtre).

### 5.1 Australie et Nouvelle-Zélande

Modèle	Entrée PVC	Position	Sortie PVC	Position
SLS100-300	Tuyau 1,5" ou raccord 2"	ID OD	Tuyau 1,5" ou raccord 2"	ID OD
SLL200	Tuyau 1,5" ou raccord 2" ou tuyau 2"	ID OD ID	Tuyau 1,5" ou raccord 2" ou tuyau 2"	ID OD ID
SLL300/400	Tuyau 1,5"	ID	Tuyau 2"	ID

### 5.2 Europe

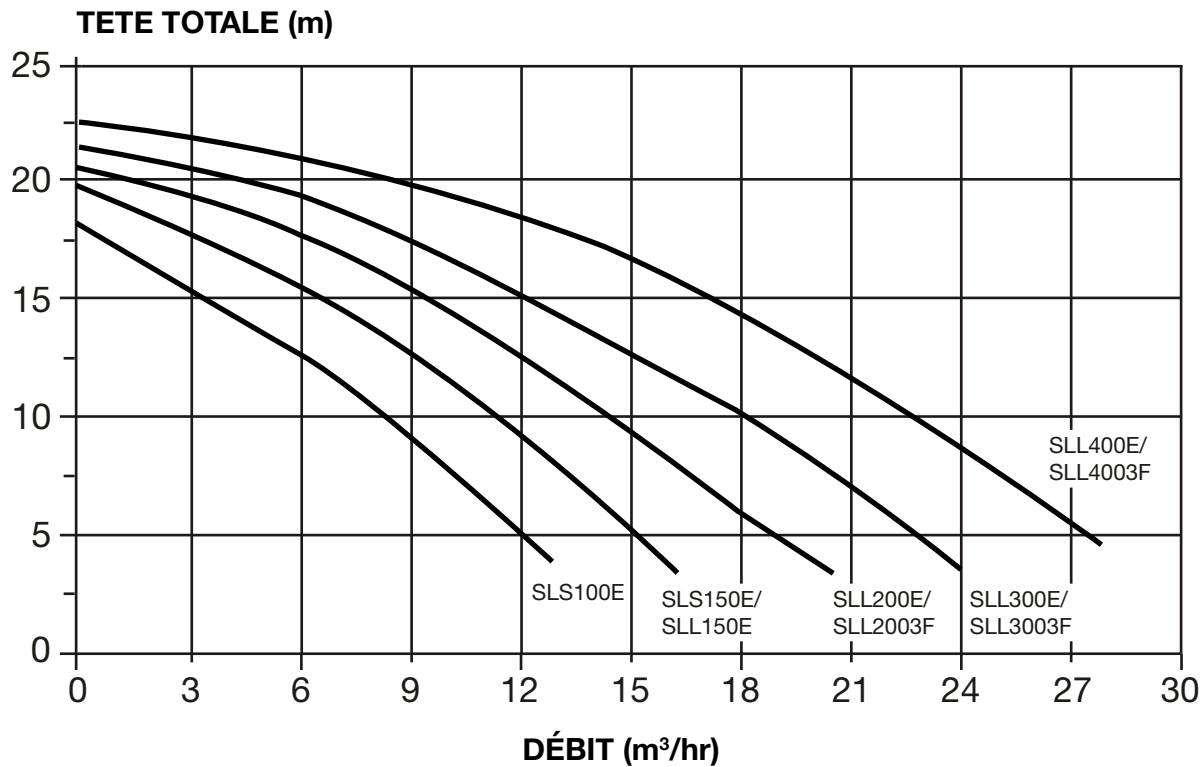
Modèle	Entrée PVC	Position	Sortie PVC	Position
SLS100E, SLS150E	Tuyau 1,5" (50mm) ou raccord 2" (63mm)	ID OD	Tuyau 1,5" (50mm) Raccord 2" (63mm)	ID OD
SLL150E, SLL200E, SLL2003F	tuyau 1,5" (50mm) ou raccord 2" (63mm) ou tuyau 2" (63mm)	ID OD ID	Tuyau 1,5" (50mm) Raccord 2" (63mm) Tuyau 2" (63mm)	ID OD ID
SLL300E, SLL400E, SLL3003F, SLL4003F	Tuyau 2" (63mm)	ID	Tuyau 2" (63mm)	ID



Les pièces de fixation sur ce produit sont faites en ABS. Certains mastics d'étanchéité de PVC sont incompatibles avec le matériau ABS. Vérifiez que le mastic est compatible avant utilisation. Les raccords-écrous doivent être serrés à la main. Vous n'avez besoin d'aucun produit d'étanchéité, colle ni silicone. Si la pompe et le filtre se situent sous le niveau d'eau de la piscine, il faut installer des robinets d'isolements dans le tuyau entre la pompe et le boîtier d'écumoire et dans le tuyau de retour allant du filtre à la piscine.

## 6. CARACTÉRISTIQUES TECHNIQUES

### 6.1 Performances hydrauliques



### 6.2 Données électriques

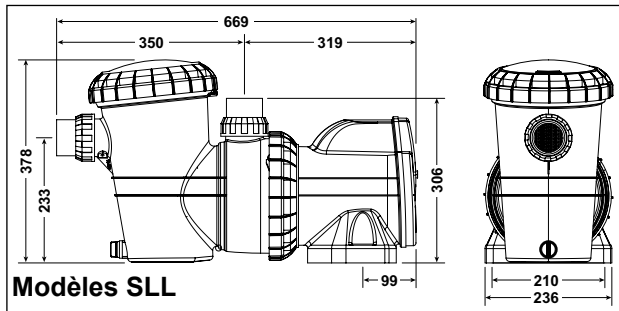
Modèle	MONOPHASÉ							
	SLS100(E)	SLS150(E)	SLS200	SLS300	SLL150(E)	SLL200(E)	SLL300(E)	SLL400(E)
Tension (V)	220-240 environ							
Fréquence d'alimentation (Hz)	50							
Puissance d'entrée P <sub>1</sub> (W/hp)	740/1,0	860/1,2	1090/1,5	1400/1,9	860/1,2	1130/1,5	1400/1,9	1760/2,4
Puissance de sortie P <sub>2</sub> (W/hp)	525/0,7	620/0,8	775/1,0	960/1,3	620/0,8	830/1,1	960/1,3	1200/1,6
Vitesse nominale (t/min)	2 850							
Classe du boîtier (IP)	56							
Classe d'isolement	F							
Numéro d'homologation	A/10EA							
Longueur du câble d'alimentation	3m							

Modèle	TRIPHASÉ		
	SLL2003F	SLL3003F	SLL4003F
Tension (V)	380-440 environ		
Fréquence d'alimentation (Hz)	50		
Puissance d'entrée P <sub>1</sub> (W/hp)	1090/1,5	1400/1,9	1760/2,4
Puissance de sortie P <sub>2</sub> (W/hp)	830/1,1	960/1,3	1200/1,6
Vitesse nominale (t/min)	2 850		
Classe de l'enceinte (IP)	56		
Classe d'isolement	F		
Numéro d'homologation	A/10EA		
Longueur du câble d'alimentation	3m		

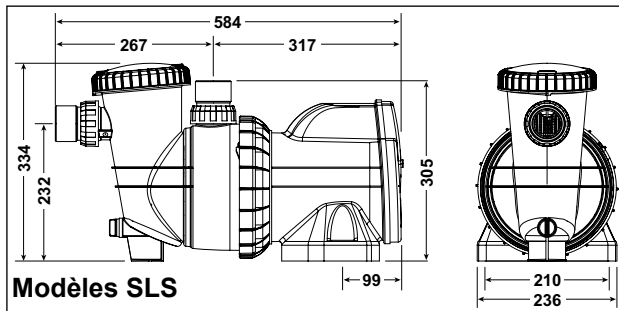
### 6.3 Limites de fonctionnement

Modèle	SLS100(E)	SLS150(E)	SLS200	SLS300	SLL150(E)	SLL200(E)	SLL300(E)	SLL400(E)
Hauteur de refoulement maximale (m)	16	20	21	22	20	21	22	23
Température maximale de l'eau	40° C							
Température ambiante maximale	40° C							
Niveau sonore (AS 5102.2)	54-56 dBa							

### 6.4 Dimensions



Modèles SLL



Modèles SLS

### 7. DÉMARRAGE DE LA POMPE

Pour fonctionner efficacement et éviter d'endommager la pompe, il convient d'assurer une libre circulation de l'eau vers et hors de

la pompe. Avant de commencer, s'assurer que :

- toutes les conduites soient correctement scellées.
  - le niveau de l'eau dans la piscine / du spa soit à la hauteur correcte.
  - toutes les vannes appropriées soient ouvertes et que rien n'empêche le passage de l'eau dans le système.
1. Tout d'abord amorcer la pompe en retirant le couvercle du panier protège-crèpine et remplir la zone de panier protège-crèpine avec de l'eau. Replacer le couvercle et vérifier qu'il assure l'étanchéité grâce au grand joint torique en caoutchouc.
  2. Brancher à l'alimentation électrique et mettre en marche.
  3. Permettre à la pompe de fonctionner, afin que l'air emprisonné puisse être expulsé.
  4. Si l'amorce n'est pas réalisée dans les deux minutes environ, comme en témoigne un fort débit d'eau, arrêter la pompe et répéter la procédure. La présence continue d'air sous le couvercle du panier protège-crèpine indique une fuite d'air dans la tuyauterie d'aspiration qu'il faut corriger pour éviter d'endommager la pompe.

### 8. FONCTIONNEMENT DE LA POMPE

Pour une performance optimale de la pompe, le boîtier du panier protège-crèpine doit toujours être rempli d'eau et exempt de bulles d'air. Le niveau d'eau de la piscine devrait toujours être maintenu pour atteindre au moins la moitié du boîtier de l'écumeur assurant la présence d'eau dans la pompe en permanence. De temps à autre, il peut être nécessaire de réamorcer la pompe. Cela devrait être réalisé comme indiqué ci-dessus.



**Ne jamais faire fonctionner la pompe à sec. Faire fonctionner la pompe sans eau peut endommager les joints mécaniques, et provoquer des fuites et des inondations. Le fonctionnement à sec et les dommages associés ne sont pas couverts par la garantie. Silensor intègre un dispositif de protection contre le fonctionnement à sec qui devra être réarmé en débranchant l'alimentation, ce qui réduit les dommages potentiels.**

#### 8.1 Vidage du panier filtrant

Le panier protège-crèpine devrait être inspecté fréquemment par le couvercle transparent et vidé quand une accumulation de débris est évidente. Suivre les instructions suivantes.

1. Arrêtez la pompe.
2. Fermez toutes les valves des conduites.
3. Dévissez le couvercle du panier filtrant dans le sens inverse des aiguilles d'une montre et enlevez-le.
4. Enlevez le panier filtrant en le levant hors de son logement.
5. Videz les déchets qui ont été piégés dans le panier. Aspergez d'eau si nécessaire.
6. Vérifiez si le panier filtrant comporte des fissures, puis remplacez le panier dans la pompe s'il est intact.
7. Remplacez le couvercle et vérifiez qu'il assure l'étanchéité sur le grand joint torique en caoutchouc. Un serrage à la main est suffisant. Le joint torique et le filet peuvent être lubrifiés avec Hydraslip ou des produits équivalents.
8. Ouvrez toutes les valves des conduites.



**Un manquement à un entretien régulier peut causer des dommages non couverts par la garantie.**



## 9. DÉPANNAGE

**Si la pompe fonctionne mais avec un débit d'eau nul ou réduit, les conditions suivantes peuvent s'appliquer :**

1. Le filtre a besoin d'un lavage à contre-courant ou il est bouché. Consultez la section pertinente du manuel de filtre.
2. La pompe n'est pas amorcée.  
Réamorcez-la selon les instructions dans « Amorçage de la pompe ».
3. Il y a des fuites d'air dans la tuyauterie d'aspiration. Vérifiez tous les tuyaux et éliminez les fuites, vérifiez également si le couvercle du panier filtrant est desserré. Des bulles d'air dans l'eau revenant vers la piscine indiqueraient une fuite dans l'aspiration vers la pompe, permettant à l'air d'entrer dans la tuyauterie.
4. Un joint d'arbre de pompe qui fuit peut également empêcher son fonctionnement. De l'eau par terre sous la pompe en témoignerait.
5. La pompe ne parvient pas à prendre l'eau de la piscine. Vérifiez que les robinets vers la pompe sont complètement ouverts et que le niveau d'eau de la piscine va jusqu'à la boîte d'écumoire.
6. Blocage dans la tuyauterie ou la pompe.  
Enlevez le panier filtrant et vérifiez s'il y a un blocage vers l'entrée de la turbine de la pompe. Vérifiez si la boîte d'écumoire est bloquée.

**Si la pompe ne fonctionne pas, les conditions suivantes peuvent s'appliquer :**

1. L'alimentation n'est pas connectée. Pour 240 V uniquement (monophasé), vérifiez le point d'alimentation en y branchant un appareil portatif pour vérifier que l'alimentation électrique est disponible. Vérifiez également les fusibles et l'interrupteur d'alimentation électrique principal.
2. La surcharge automatique est déclenchée après une période de surchauffe. La pompe a une protection thermique intégrée qui sera réinitialisée après que le moteur ait refroidi et que l'alimentation ait été rétablie (éteindre et rallumer). Déterminez la cause du déclenchement de surcharge et résolvez le problème.
3. Le blocage empêche la pompe de tourner.
4. Le moteur a grillé - une odeur de brûlé est évidente. Le remplacement est nécessaire.

Si vous ne parvenez pas à résoudre les problèmes d'installation ou à faire fonctionner votre Silensor, contactez le fournisseur qui a vendu la pompe ou votre Centre de Service d'équipement de piscine de Davey agréé le plus proche. Si vous avez besoin d'une aide supplémentaire, contactez le SAV de Davey à l'adresse indiquée dans ce manuel.

## 10. DÉMONTAGE DE LA POMPE DE LA TUYAUTERIE

S'il est nécessaire d'enlever la pompe, suivez ces instructions :

1. Arrêtez la pompe et débranchez la fiche de la source d'alimentation.



**REMARQUE : Si la pompe est câblée à un minuteur ou à un autre dispositif de contrôle automatique, le câblage doit être déconnecté par un électricien qualifié.**

2. Fermez les robinets d'eau sur la tuyauterie de retour de piscine et d'entrée de pompe.
3. Enlevez les raccords-écrous de refoulement et d'aspiration en veillant à ne pas desserrer les joints toriques.
4. Déplacez la tuyauterie avec les raccords-écrous fixés jusqu'à ce que la pompe puisse être détachée.



**REMARQUE : Lorsque vous faites des demandes concernant Silensor, veuillez à mentionner le numéro de modèle figurant sur la plaque signalétique située sur le moteur.**

## 11. QUALITÉ DE L'EAU

Le maintien d'une chimie de l'eau équilibrée est important pour la durée de vie de votre pompe de piscine. Cette pompe est conçue pour fonctionner avec de l'eau de piscine et de spa, équilibrée conformément à l'indice de saturation de Langlier, avec un niveau de pH compris entre 7,2 et 7,8 et régulièrement traitée avec un agent aseptisant chloré dont le niveau ne dépasse pas 3,0 ppm.

Consultez votre magasin de piscine local régulièrement pour faire tester votre eau.



**Tâches de maintenance de routine - pour allonger la durée de vie de votre matériel de piscine et améliorer la sécurité des personnes, servez-vous de cette liste de vérification une fois par semaine. Arrêtez d'abord la pompe.**

- a. Vérifiez que les manomètres sont en état de marche et que la pression de fonctionnement est dans les limites spécifiées sur le produit.
- b. Inspectez chaque entrée d'aspiration et vérifiez que chaque drain principal a un couvercle bien fixé et en bon état de marche.
- c. Vérifiez que tous les couvercles d'écumoire sont bien fixés et en bon état de marche. Ils doivent être remplacés tous les 3 à 4 ans.
- d. Enlevez toutes les obstructions et tous les débris qui sont sur le couvercle de drain principal.
- e. Vérifiez que les paniers d'écumoire et les récupérateurs de cheveux et de peluches de la pompe sont exempts de feuilles et de débris au moins une fois par semaine.
- f. Enlevez les obstructions et les combustibles qui sont autour du moteur de la pompe.
- g. Vérifiez que toutes les connexions de câblage sont propres et que tous les câbles et équipements électriques sont en bon état. Confiez la réparation ou le remplacement de tout câblage endommagé à un électricien qualifié dès que le dommage est constaté.
- h. Vérifiez l'équilibre de l'eau et les niveaux de stérilisateur auprès de votre magasin de piscine local.



**Les branchements électriques et les contrôles devraient être effectués par un électricien agréé et conformément aux normes locales en vigueur. Une mauvaise installation ou une mauvaise alimentation peut même causer des incendies électriques !**



**DANGER - Aspiration dangereuse. Ne bloquez pas l'arrivée d'eau dans le système de filtration avec aucune partie de votre corps, car la pression peut piéger les cheveux ou les parties du corps, causant des blessures graves ou la mort. Ne bloquez pas l'aspiration. Arrêtez immédiatement la pompe si quelqu'un est piégé.**



**Attention ! N'ajoutez pas de produits chimiques directement dans la boîte d'écumoire. L'ajout de produits chimiques non dilués peut endommager la pompe et le filtre et rendre la garantie caduque.**



**AVERTISSEMENTS ! L'aspiration de la pompe est dangereuse et peut piéger, noyer ou éviscérer un baigneur. Ne bloquez pas l'aspiration. N'utilisez pas de piscines, spas ni bains bouillonnants si un couvercle d'aspiration est cassé, manquant ou desserré. Deux couvercles et entrées d'aspiration doivent être fournis dans chaque pompe afin d'éviter un effet ventouse.**



# Garantie de Davey

Davey Water Products Pty Ltd (Davey) garantit que tous les produits vendus seront (dans des conditions normales d'utilisation et d'entretien) exempts de vices en ce qui concerne les matériaux et processus de fabrication pendant une période d'au moins un (1) an à partir de la date d'acquisition par le client, comme cela est indiqué sur la facture. Pour connaître les périodes de garantie de tous les produits Davey, se rendre à l'adresse suivante [daveywater.com](http://daveywater.com).

Cette garantie ne couvre pas l'usure normale et ne s'applique pas à un produit ayant :

- fait l'objet d'une mauvaise utilisation, de négligence, de dommages ou d'un accident
- été utilisé, exploité ou entretenu dans le non-respect des instructions de Davey
- été installé sans se conformer aux instructions d'installation ou par un personnel qualifié
- été modifié ou altéré par rapport aux spécifications d'origine ou de toute façon non approuvée par Davey
- fait l'objet de tentatives de réparation ou de réparations réalisées par autres intervenants que Davey ou ses revendeurs agréés
- été soumis à des conditions anormales telles qu'une tension d'alimentation incorrecte, la foudre, des ondes de choc, ou des dommages issus de l'action électrolytique, la cavitation, du sable, de produits corrosifs, de matériaux salins ou de produits abrasifs.

La garantie de Davey ne couvre pas le remplacement de tout produit consommable ou en raison de défauts dans les produits et composants qui ont été fournis par Davey à des tiers parties (cependant Davey fournira une aide raisonnable pour obtenir gain de cause de la garantie d'un tiers).

Pour déposer une réclamation de garantie :

- Si le produit est soupçonné d'être défectueux, cesser de l'utiliser et contacter le lieu d'achat original. Sinon, il est possible de téléphoner au service clientèle de Davey ou de contacter Davey par voie postale - les coordonnées sont indiquées ci-dessous
- Fournir la preuve de la date d'achat originale
- Si demandé, retourner le produit et/ou fournir des informations supplémentaires en ce qui concerne la réclamation. Le retour du produit au lieu d'achat est à vos frais et dépend de votre responsabilité.
- La demande de garantie sera évaluée par les agents de Davey sur la base de leur connaissance du produit et d'un jugement raisonnable et sera acceptée si :
  - un défaut pertinent est détecté
  - la réclamation de garantie est transmise pendant la période de garantie ; et
  - aucune des conditions d'exclusion énumérées ci-dessus ne s'applique
- Le client sera informé de la décision relative à la garantie par écrit et, si cette décision est jugée

invalide, le client doit organiser la collecte du produit à ses frais ou autoriser sa destruction.

Si la réclamation est jugée fondée, Davey, à sa seule discrétion, réparera ou remplacera gratuitement le produit.

La garantie de Davey s'inscrit, en outre, dans le respect des droits garantis par les lois sur la consommation locales. Vous avez droit à un remplacement ou un remboursement en cas de défaillance majeure et à une indemnisation pour toute autre perte ou dommage raisonnablement prévisible. Il vous est possible de bénéficier de la réparation ou du remplacement de vos produits si les produits ne parviennent pas à être d'un niveau de qualité acceptable et si la défaillance ne constitue pas une défaillance majeure.

Pour les produits connectés à Internet, le consommateur est responsable d'assurer une connexion Internet stable. En cas de panne du réseau, le consommateur aura besoin de traiter le problème avec le fournisseur de service. L'utilisation d'une application n'est pas un substitut à la vigilance de l'utilisateur pour s'assurer que le produit réponde aux attentes. L'utilisation d'un produit associé à une application intelligente est aux risques de l'utilisateur. Dans toute la mesure permise par la loi, Davey se dégage de toute responsabilité concernant l'exactitude, l'exhaustivité ou la fiabilité des données d'applications. Davey n'est pas responsable de toute perte directe ou indirecte, des dommages ou des coûts imputés à l'utilisateur résultant de la fiabilité de sa connexion à Internet. L'utilisateur s'engage à dédommager Davey contre toute réclamation ou action juridique de celui-ci ou d'autres s'appuyant sur la connectivité à Internet ou les données de l'application.

Les produits présentés pour la réparation peuvent être remplacés par des produits remis à neuf du même type plutôt que d'être réparés. Des pièces remises à neuf peuvent être utilisées pour réparer les produits. La réparation de vos produits peut entraîner la perte de toutes les données générées par l'utilisateur. Veuillez vous assurer d'avoir fait une copie de toutes les données enregistrées sur vos produits.

Dans la limite autorisée par la loi, la société Davey ne peut être tenue pour responsable quant à une perte de profits ou une perte indirecte, immatérielle ou particulière, aux dommages ou blessures de quelque nature que ce soit résultant directement ou indirectement de produits de Davey. Cette limite ne s'applique pas à la responsabilité de Davey quant au non-respect d'une garantie de consommation applicable à votre produit Davey en vertu des lois locales et ne porte pas atteinte aux droits ou recours qui s'offrent à vous en vertu des lois locales.

Pour une liste complète des revendeurs Davey, visitez notre site Web ([daveywater.com](http://daveywater.com)) ou composez le :

## DAVEY

Davey Water Products Pty Ltd  
Member of the GUD Group  
ABN 18 066 327 517

[daveywater.com](http://daveywater.com)

### AUSTRALIE

**Siège social**  
6 Lakeview Drive,  
Scoresby, Australia 3179  
Ph: 1300 232 839  
Fax: 1300 369 119  
Email: [sales@davey.com.au](mailto:sales@davey.com.au)

### NOUVELLE-ZÉLANDE

7 Rockridge Avenue,  
Penrose, Auckland 1061  
Ph: 0800 654 333  
Fax: 0800 654 334  
Email: [sales@dwp.co.nz](mailto:sales@dwp.co.nz)

### EUROPE

7 rue Eugène Hénaff 69200  
Vénissieux, France  
Ph: +33 (0) 4 72 13 95 07  
Fax: +33 (0) 4 72 33 64 57  
Email: [info@daveyeurope.eu](mailto:info@daveyeurope.eu)

### AMÉRIQUE DU NORD

Ph: 1-888-755-8654  
Email: [info@daveyusa.com](mailto:info@daveyusa.com)

### MOYEN-ORIENT

Ph: +971 50 6368764  
Fax: +971 6 5730472  
Email: [info@daveyuae.com](mailto:info@daveyuae.com)

® Davey est une marque déposée de Davey Water Products Pty Ltd. © Davey Water Products Pty Ltd 2022. P/N 401459-9FR

\* Un Guide de référence rapide est inclus avec le produit pour tout achat de nouveau produit et il contient des instructions détaillées. Veuillez vous rendre sur [daveywater.com](http://daveywater.com), scanner le QR code sur le Guide de référence rapide / l'étiquette du produit Davey (le cas échéant) ou contacter votre site Davey.