

Product may differ from image shown

Jandy Pro Series VS FloPro™ Series Variable-Speed Pumps

⚠ WARNING

FOR YOUR SAFETY - This product must be installed and serviced by a contractor who is licensed and qualified in pool equipment by the jurisdiction in which the product will be installed where such state or local requirements exist. The maintainer must be a professional with sufficient experience in pool equipment installation and maintenance so that all of the instructions in this manual can be followed exactly. Before installing this product, read and follow all warning notices and instructions that accompany this product. Failure to follow warning notices and instructions may result in property damage, personal injury, or death. Improper installation and/or operation will void the warranty.



Improper installation and/or operation can create unwanted electrical hazard which can cause serious injury, property damage, or death.

ATTENTION INSTALLER - This manual contains important information about the installation, operation and safe use of this product. This information should be given to the owner/operator of this equipment.

Table of Contents

Section 1. Important Safety Instructions 3	Section 4. Operation..... 16
1.1 Safety Instructions..... 3	4.1 Start-up..... 16
1.2 Pool Pump Suction Entrapment Prevention Guidelines 5	Section 5. Service and Maintenance..... 17
Section 2. General Description 6	5.1 Routine Maintenance 17
2.1 Introduction..... 6	5.2 Winterizing the Pump 17
2.2 Description 6	Section 6. Troubleshooting and Repair..... 18
Section 3. Installation Information..... 6	6.1 Service Technician Maintenance 20
3.1 Plumbing 6	Section 7. Product Specifications and Technical Data 21
3.2 Electrical Installation..... 9	7.1 Replacement Parts List and Exploded View 21
3.3 VS FloPro Pump Dip Switch Settings..... 13	7.2 Exploded Views 22
3.4 Auxiliary Load Operation 14	7.3 Performance Curves 23
3.5 Remove Pump Lid 14	7.4 Physical and Operational Specifications 23
3.6 Conduct Pressure Test 15	

EQUIPMENT INFORMATION RECORD	
DATE OF INSTALLATION	_____
INSTALLER INFORMATION	_____
INITIAL PRESSURE GAUGE READING (WITH CLEAR FILTER)	_____
PUMP MODEL	HORSEPOWER
NOTES:	_____

Section 1. Important Safety Instructions

READ AND FOLLOW ALL INSTRUCTIONS

1.1 Safety Instructions

All electrical work must be performed by a licensed electrician and conform to all national, state, and local codes. When installing and using this electrical equipment, basic safety precautions should always be followed, including the following:

⚠ WARNING

RISK OF SUCTION ENTRAPMENT HAZARD, WHICH, IF NOT AVOIDED, CAN RESULT IN SERIOUS INJURY OR DEATH. Do not block pump suction, as this can cause severe injury or death. Do not use this pump for wading pools, shallow pools, or spas containing bottom drains, unless the pump is connected to at least two (2) functioning suction outlets. Suction outlet (drain) assemblies and their covers must be certified to the latest published edition of ANSI®/ASME® A112.19.8, or its successor standard, ANSI/APSP-16.

⚠ WARNING

To reduce the risk of injury, do not permit children to use this product.

⚠ WARNING

To reduce the risk of property damage or injury, do not attempt to change the backwash (multiport, slide, or full flow) valve position with the pump running.

⚠ WARNING

Jandy Pro Series pumps are powered by a high voltage electric motor and must be installed by a licensed or certified electrician or a qualified swimming pool service technician.

⚠ WARNING

Due to the potential risk of fire, electric shock, or injuries to persons, Jandy Pro Series pumps must be installed in accordance with the National Electrical Code® (NEC®), all local electrical and safety codes, and the Occupational Safety and Health Act (OSHA). Copies of the NEC may be ordered from the National Fire Protection Association, 470 Atlantic Ave., Boston, MA 02210, or from your local government inspection agency.

⚠ WARNING

RISK OF ELECTRIC SHOCK, FIRE, PERSONAL INJURY, OR DEATH. Connect only to a branch circuit that is protected by a ground-fault circuit-interrupter (GFCI). Contact a qualified electrician if you cannot verify that the circuit is protected by a GFCI. A GFCI should be provided by the installer and should be tested on a routine basis. To test the GFCI, push the test button. The GFCI should interrupt power. Push the reset button. Power should be restored. If the GFCI fails to operate in this manner, the GFCI is defective. If the GFCI interrupts power to the pump without the test button being pushed, a ground current is flowing, indicating the possibility of electrical shock. Do not use the device. Disconnect the device and have the problem corrected by a qualified service representative before using.

⚠ WARNING

Incorrectly installed equipment may fail, causing severe injury or property damage.

 **WARNING**

- Do not connect the system to an unregulated city water system or other external source of pressurized water producing pressures greater than 35 PSI.
- Trapped air in system can cause the filter lid to be blown off, which can result in death, serious personal injury, or property damage. Be sure all air is out of the system before operating.

 **WARNING**

To minimize the risk of severe injury or death, the filter and/or pump should not be subjected to the piping system pressurization test.

Local codes may require the pool piping system to be subjected to a pressure test. These requirements are generally not intended to apply to the pool equipment such as filters or pumps.

Zodiac® pool equipment is pressure tested at the factory.

However, if the WARNING cannot be followed and pressure testing of the piping system must include the filter and/or pump, **BE SURE TO COMPLY WITH THE FOLLOWING SAFETY INSTRUCTIONS:**

- Check all clamps, bolts, lids, lock rings and system accessories to ensure they are properly installed and secured before testing.
- **RELEASE ALL AIR** in the system before testing.
- Water pressure for test must **NOT EXCEED 35 PSI**.
- Water temperature for test must **NOT EXCEED 100°F (38°C)**.
- Limit test to 24 hours. After test, visually check system to be sure it is ready for operation.

NOTICE: These parameters apply to Zodiac equipment only. For non-Zodiac equipment, consult equipment manufacturer.

 **WARNING**

Chemical spills and fumes can weaken pool/spa equipment. Corrosion can cause filters and other equipment to fail, resulting in severe injury or property damage. Do not store pool chemicals near your equipment.

 **CAUTION**

Do not start pump dry! Running the pump dry for any length of time will cause severe damage and will void the warranty.

 **CAUTION**

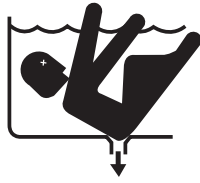
This pump is for use with permanently installed pools and may also be used with hot tubs and spas, if so marked. Do not use with storable pools. A permanently installed pool is constructed in or on the ground or in a building such that it cannot be readily disassembled for storage. A storable pool is constructed so that it may be readily disassembled for storage and reassembled to its original integrity.

 **CAUTION**

Do not install within an outer enclosure or beneath the skirt of a hot tub. The pump requires adequate ventilation to maintain air temperature at less than the maximum ambient temperature rating listed on the motor rating plate.

SAVE THESE INSTRUCTIONS

1.2 Pool Pump Suction Entrapment Prevention Guidelines



⚠ WARNING

SUCTION HAZARD. Can cause serious injury or death. Do not use this pump for wading pools, shallow pools or spas containing bottom drains, unless the pump is connected to at least two (2) functioning suction outlets.

⚠ WARNING

Pump suction is hazardous and can trap and drown or disembowel bathers. Do not use or operate swimming pools, spas, or hot tubs if a suction outlet cover is missing, broken, or loose. The following guidelines provide information for pump installation that minimizes risk of injury to users of pools, spas, and hot tubs:

Entrapment Protection - The pump suction system must provide protection against the hazards of suction entrapment.

Suction Outlet Covers - All suction outlets must have correctly installed, screw-fastened covers in place. All suction outlet (drain) covers must be properly maintained. They must be replaced if cracked, broken, or missing. Drain covers must be listed/certified to the latest published edition of ANSI®/ASME® A112.19.8 or its successor standard, ANSI/APSP-16. The pool must be shut down and bathers must be restricted from entering the pool until any cracked, broken, or missing drain covers are replaced.

Number of Suction Outlets Per Pump - Provide at least two (2) hydraulically-balanced suction outlets, with covers, as suction outlets for each circulating pump suction line. The centers of the suction outlets (suction outlets) on any one (1) suction line must be at least three (3) feet apart, center to center. See Figure 1.

The system **must** be built to include at least two (2) suction outlets (drains) connected to the pump whenever the pump is running. However, if two (2) suction outlets run into a single suction line, the single suction line may be equipped with a valve that will shut off both suction outlets from the pump. The system shall be constructed such that it shall not allow for separate or independent shutoff or isolation of each drain. See Figure 1.

Additional pumps can be connected to a single suction line as long as the requirements above are met.

Water Velocity - The maximum water velocity through the suction outlet assembly and its cover for any suction outlet must not exceed the suction outlet assembly and its cover's maximum design flow rate. The suction outlet (drain) assembly and its cover must comply with the latest version of ANSI®/ASME® A112.19.8, the standard for Suction Fittings For Use in Swimming Pools, Wading Pools, Spas, and Hot Tubs, or its successor standard, ANSI/ASME APSP-16.

Testing and Certification - Suction outlet covers must have been tested by a nationally recognized testing laboratory and found to comply with the latest published edition of ANSI/ASME A112.19.8 or its successor standard, ANSI/APSP-16, the standard for *Suction Fittings For Use in Swimming pools, Wading Pools, Spas, and Hot Tubs*.

Fittings - Fittings restrict flow; for best efficiency use fewest possible fittings (but at least two (2) suction outlets).

Avoid fittings that could cause an air trap.

Pool cleaner suction fittings must conform to applicable International Association of Plumbing and Mechanical Officials (IAPMO) standards.

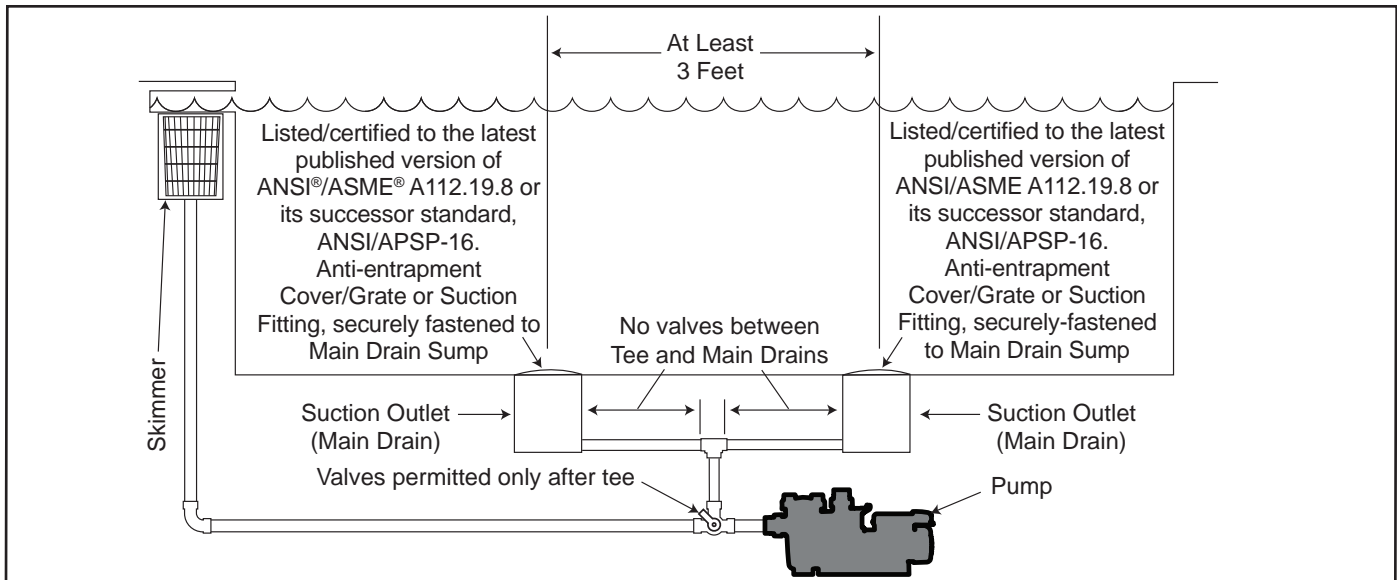


Figure 1. Number of Suction Outlets Per Pump

Section 2. General Description

2.1 Introduction

This manual contains information for the proper installation, operation, and maintenance of Jandy Pro Series VS FloPro variable-speed pumps. Procedures in this manual must be followed exactly. To obtain additional copies of this manual, contact Zodiac® Customer Service at 800.822.7933. For address information, see the back cover of this manual.

2.2 Description

The VS FloPro is a variable-speed pump that can be run from 600 RPM to 3450 RPM. When connected to the JEP-R controller, up to eight (8) speed settings may be programmed and recalled. This allows you to select the most appropriate speed for your application. Even more versatile programming is possible when you use an AquaLink® RS, AquaLink PDA, or AquaLink Z4™ controller.

The pump is driven by a variable speed ECM (Electronically Commutated Motor) directly attached to the pump impeller. The motor spins the impeller which forces water to flow through the pump. As the speed of the motor is varied the flow through the pump is also varied. The adjustable flow rate allows for optimization of flow during the varying pump cycle requirements. As a result the energy efficiency of the pump is maximized resulting in cost savings to the pool owner while also helping to save the environment.

Section 3. Installation Information

3.1 Plumbing

Preparation Information

1. Upon receipt of the pump, check the carton for damage. Open the carton and check the pump for concealed damage, such as cracks, dents or a bent base. If damage is found, contact the shipper or distributor where the pump was purchased.
2. Inspect the contents of the carton and verify that all parts are included, see Section 7.1, Replacement Parts List and Exploded View.

Pump Location

⚠ WARNING

To Reduce the Risk of Fire, install pool equipment in an area where leaves or other debris will not collect on or around the equipment. Keep surrounding area clear of all debris such as paper, leaves, pine-needles and other combustible materials.

1. Zodiac Pool Systems LLC recommends installing the pump within one (1) foot (30 cm) above water level. The pump should not be elevated more than five (5) feet above the water level of the pool.

NOTE The pump is NSF-certified as being able to prime at heights up to 10 ft above the pool water level, at sea level. However, to achieve better self-priming, install the pump as close as possible to the water level of the pool.

2. If the pump is located below water level, isolation valves must be installed on both the suction and return lines to prevent back flow of pool water during any routine or required servicing.

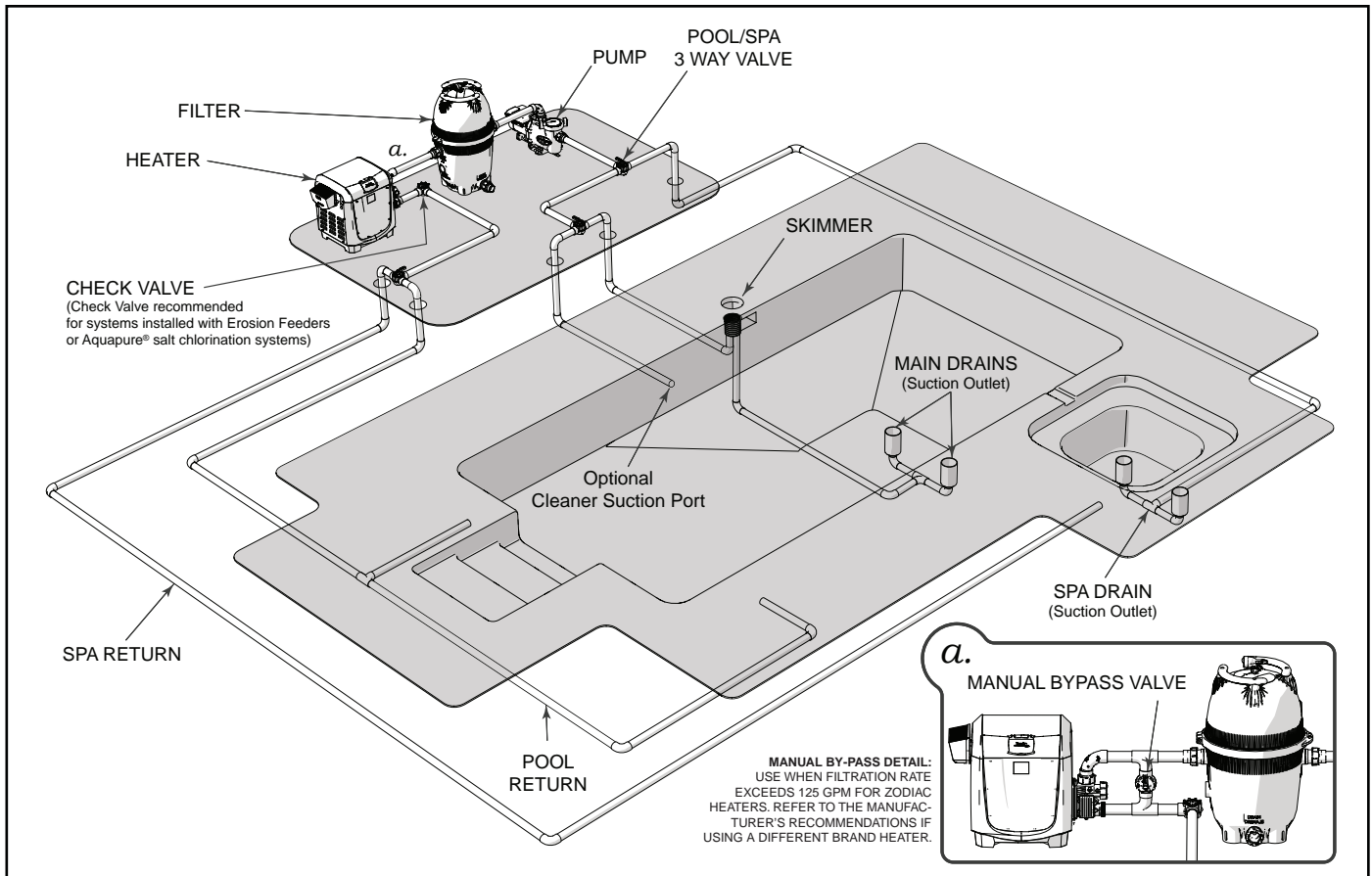


Figure 2. Typical Piping Installation

⚠ WARNING

A check valve can interfere with the proper operation of certain Suction Vacuum Release System (SVRS) products. To avoid possible entrapment hazard, serious injury, or death, make sure to review the operation/owners manual of your particular SVRS product before installing the check valve.

NOTE When the pool equipment is located below the pool surface a leak can result in large scale water loss or flooding. Zodiac Pool Systems LLC cannot be responsible for such water loss or flooding or damage caused by either occurrence.

3. Install the pump such that any disconnecting means and/or junction boxes for power connection are within sight of the pump and at least five (5) feet horizontally from the edge of the pool and/or spa. Choose a location that will minimize turns in the piping.

NOTE In Canada, the minimum distance maintained from the edge of the pool and/or spa as noted above must be 3 meters (10 feet), as required by the Canadian Electrical Code (CEC, CSA C22.1).

4. The pump should be installed on a firm, solid, and level surface to avoid risk of settlement. Do not use sand to level the pump as sand will wash away. Check local building codes for any additional requirements (Ex. Equipment pads in Florida must be concrete and equipment must be secured to the pad.)

NOTE Zodiac Pool Systems LLC recommends bolting the pump directly to the foundation.

5. The pump foundation must have adequate drainage to prevent the motor from getting wet. Protect the pump from the rain and sun.

6. Proper ventilation is required for the pump to operate normally. All motors generate heat that must be removed by providing proper ventilation.

7. Provide access for future services by leaving a clear area around the pump. Allow plenty of space above the pump to remove the lid and basket for cleaning.

8. If the equipment is in a potentially dark area, provide adequate lighting.

Pipe Sizing

For assistance with suction and discharge pipe sizing, please see Table 1.

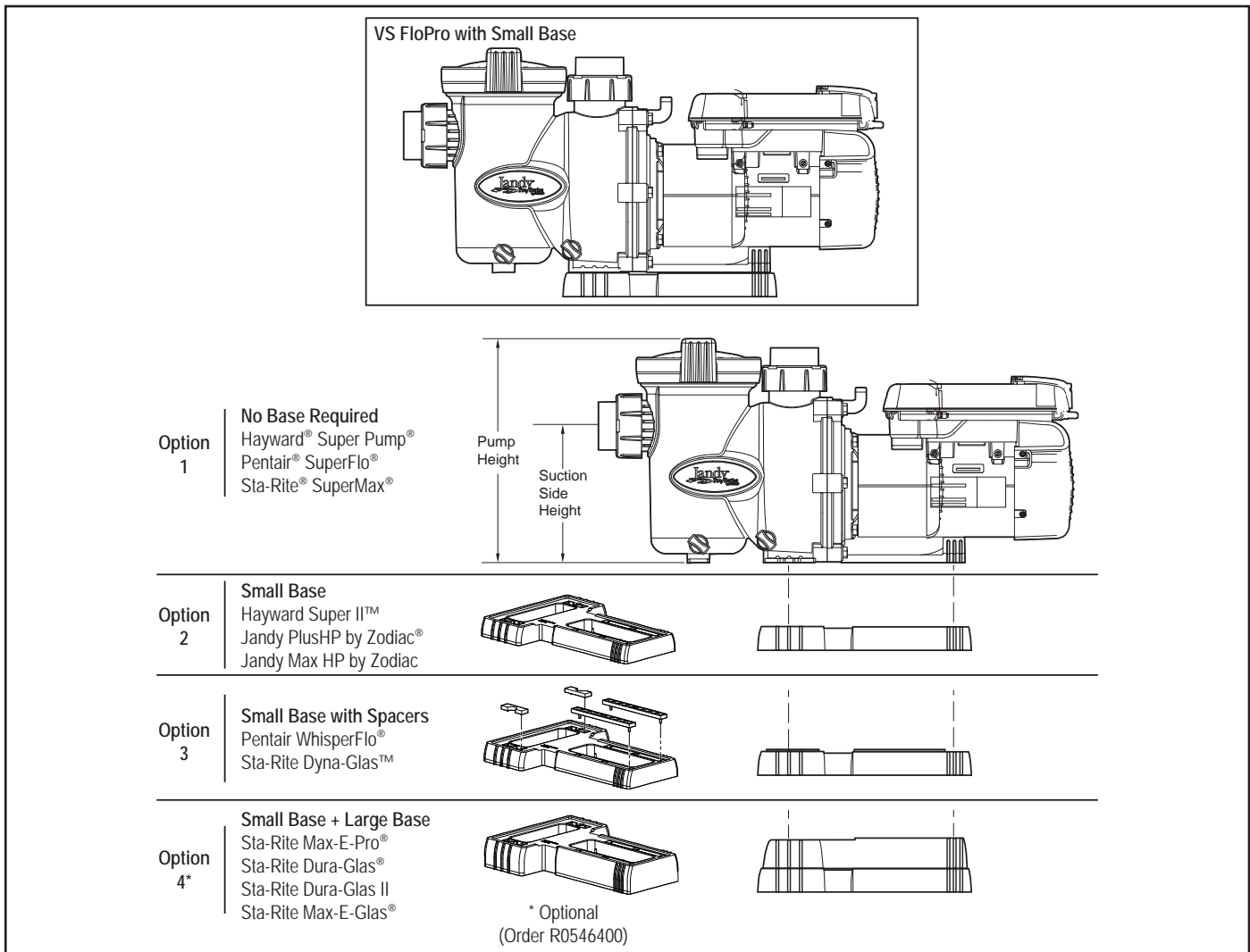


Figure 3. VS FloPro Pump and Base Options

Table 1. Pipe Sizing Chart for Schedule 40 PVC

Pipe Size	Maximum Flow Suction (6 feet per second)	Maximum Flow Discharge (8 feet per second)
1½" (38 mm)	37 GPM (140 LPM)	50 GPM (189 LPM)
2" (51 mm)	62 GPM (235 LPM)	85 GPM (322 LPM)
2½" (64 mm)	88 GPM (333 LPM)	120 GPM (454 LPM)
3" (76 mm)	136 GPM (515 LPM)	184 GPM (697 LPM)
4" (102 mm)	234 GPM (886 LPM)	313 GPM (1185 LPM)

Installation Recommendations

1. To help prevent difficulty in priming, install the suction pipe without high points (above inlet of pump - inverted "U"s, commonly referred to in plumbing as an airlock) that can trap air. For installations of equipment up to 100 feet (30 m) from the water, refer to Table 1, the pipe sizing chart. For installations of equipment more than 100

feet (30 m) from the water, the recommended pipe size must be increased to the next size.

- VS FloPro Pumps come equipped with unions on both the suction and discharge ports. This feature simplifies installation and service and eliminates the possibility of leaks at threaded adapters.
- The VS FloPro Pump must be connected to at least two (2) hydraulically-balanced main drains for each pool pump suction line. Each drain (suction outlet) assembly must be provided with covers and must be listed or certified to the latest published edition of ANSI®/ASME® A112.19.8, or its successor standard, ANSI/APSP-16. The suction fittings of the main drains must be at least three (3) feet (1 m) apart or at different planes. The suction fittings can be a drain and skimmer, two (2) drains, two (2) skimmers, or a skimmer with an equalizer line installed. Check the local codes for proper installation.

NOTE To prevent entrapment, the system must be built so it cannot operate with the pump drawing water from only one (1) main drain. At least two (2) main drains must be connected to the pump when it is in operation. However, if two (2) main drains run into a single suction line, the single suction line may be equipped with a valve that will shut off both main drains from the pump.

4. The piping must be well supported and not forced together where it will experience constant stress.
5. Always use properly sized valves. Jandy Pro Series Diverter Valves and Ball Valves typically have the best flow capabilities.
6. Use the fewest possible fittings especially 90 degree elbows. Each additional fitting or length of pipe increases resistance to flow which makes the pump work harder.

NOTE If more than ten (10) suction fittings are needed, the pipe size must be increased.

7. Every new installation must be pressure tested according to local codes.

Replacement of Existing Pump

Jandy Pro Series VS FloPro pumps can easily replace several other pumps: the Hayward® Super Pump®, Hayward Super II™, Pentair® SuperFlo®, Pentair WhisperFlo®, Jandy Pro Series, PlusHP (PHP), Jandy Pro Series MaxHP (MHP), Sta-Rite® Dura-Glas, Sta-Rite Dura-Glas II, Sta-Rite Dyna-Glas™, Sta-Rite Max-E-Glas®, Sta-Rite Max-E-Pro®, and Sta-Rite SuperMax®.

To replace the Pentair WhisperFlo, Jandy Pro Series PHP, or Jandy Pro Series MHP, use the VS FloPro’s adjustable base. The VS FloPro base (and its spacers) increase the total height of the pump and the height of the suction side of the pump. See Table 2 and Figure 3.

NOTE Adjustable base comes with FloPro models VS-FHP1.0, VSFHP165JEP, VS-FHP2.0 and VSFHP270JEP. If adjustable base is required for VSFHP270AUT or VSFHP165AUT please see item 18 in section 7.1 “Replacement Parts List and Exploded View.”

Table 2. VS FloPro Dimensions

Base Configuration	Suction Side Height	Pump Height
1. Pump without Base	7 3/4" (197 mm)	12 3/4" (44 mm)
2. Pump with Base	9" (229 mm)	14" (356 mm)
3. Pump with Base and Spacers	9 1/4" (235 mm)	14 1/4" (362 mm)
4. Pump with Small + Large Base	10 7/8" (276 mm)	15 7/8" (403 mm)

Install Spacers into Small Base

1. Using a hand cutter tool, cut the plastic bars connecting the top and bottom sets of spacers, as shown in Figure 4.
2. Push the two (2) top spacers and two (2) bottom spacers out of the base.
3. Align the pins in the four (4) spacers with the holes in the base and snap the spacers into place, as shown in Figure 5.

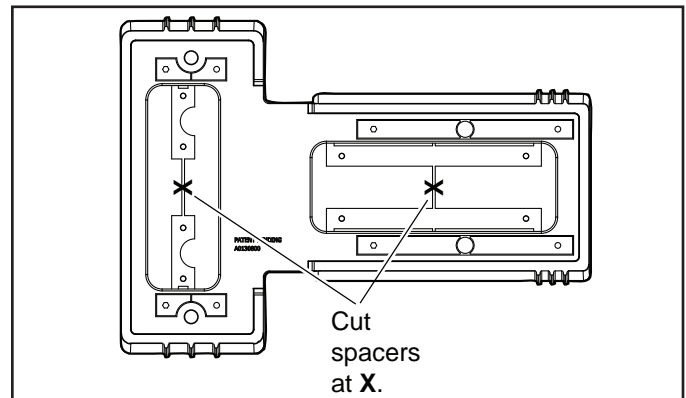


Figure 4. Cut Sets of Spacers Out of Base

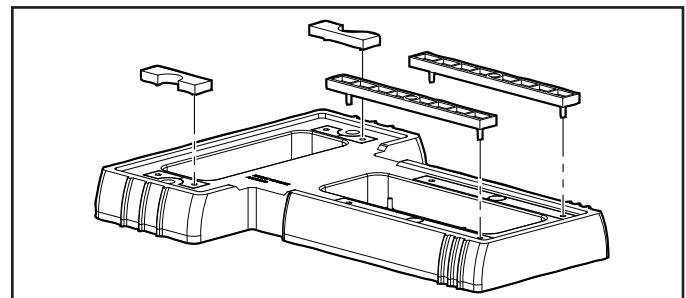


Figure 5. Snap Spacers into Place

3.2 Electrical Installation

Voltage Checks

The correct voltage, as specified on the pump data plate and Table 3 on page 10 is necessary for proper performance and long motor life. Incorrect voltage will decrease the pump’s ability to perform and could cause overheating, reduce the motor life, and result in higher electric bills.

It is the responsibility of the electrical installer to provide data plate operating voltage to the pump by ensuring proper circuit sizes and wire sizes for this specific application.

The National Electrical Code® (NEC®, NFPA-70®) requires all pool pump circuits be protected with a Ground Fault Interrupter (GFCI). Therefore, it is also the responsibility of the electrical installer to ensure that the pump circuit is in compliance with this and all other applicable requirements of the National Electrical Code (NEC) and any other applicable installation codes.

Table 3. Recommended Wire Sizes for VS FloPro Pumps

RECOMMENDED MINIMUM WIRE SIZE FOR VS FLOPRO PUMPS*		
Distance from Sub-panel		0-150 Feet (0-45 metres)
Model	Inverse - Time Circuit Breaker or Branch Fuse AMPS Class: CC, G, H, J, K, RK, or T 230 VAC	Gauge of Wire Voltage 230 VAC
VS-FHP1.0, VSFHP165AUT, VSFHP165JEP	15A	12
VS-FHP2.0, VSFHP270AUT, VSFHP270JEP	20A	10

*Assumes three (3) copper conductors in a buried conduit and 3% maximum voltage loss in branch circuit. All National Electrical Code® (NEC®) or the Canadian Electrical Code (CSA) and local codes must be followed. Table shows minimum wire size and branch fuse recommendations for typical installation.

⚠ CAUTION

Failure to provide data plate voltage (within 10%) during operation will cause the motor to overheat and void the warranty.

Bonding and Grounding

- In addition to being properly grounded as described in *Electrical Wiring* section, and in accordance with the requirements of the National Electrical Code (NEC), or in Canada the Canadian Electrical Code (CEC), the pump motor must be bonded to all metal parts of the swimming pool, spa or hot tub structure and to all electrical components and equipment associated with the pool/spa water circulation system.
- The bonding must be accomplished by using a solid copper conductor, No. 8 AWG or larger. In Canada No. 6 AWG or larger must be used. Bond the motor using the external bonding lug provided on the motor frame.

⚠ WARNING

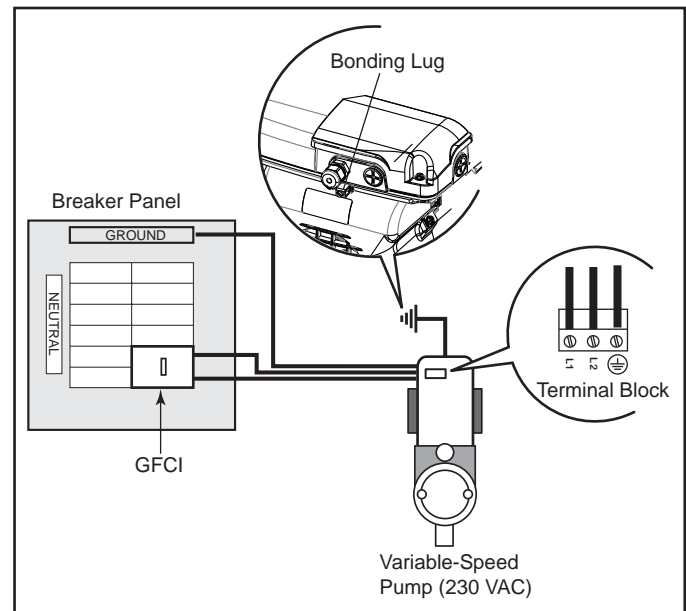
Always disconnect the power source before working on a motor or its connected load.

⚠ WARNING

Make sure that the control switch, time clock, or control system is installed in an accessible location, so that in the event of an equipment failure or a loose plumbing fitting, the equipment can be turned off. This location must not be in the same area as the pool pump, filter, and other equipment.

⚠ CAUTION

The pump must be permanently connected to a dedicated electrical circuit. No other equipment, lights, appliances, or outlets may be connected to the pump circuit, with the exception of devices that may be required to operate simultaneously with the pump, such as a chlorinating device or heater.

**Figure 6. Bonding the Motor****Electrical Wiring**

- The pump motor must be securely and adequately grounded using the green screw provided. Ground before attempting to connect to an electrical power supply. Do not ground to a gas supply line.
- Wire size must be adequate to minimize voltage drop during the start-up and operation of the pump. See Table 3 for suggested wire sizes.
- Insulate all connections carefully to prevent grounding or short-circuits. Sharp edges on terminals require extra protection. For safety, and to prevent entry of contaminants, reinstall all conduit and terminal box covers. Do not force connections into the conduit box.

NOTE When power alone is supplied to this pump, it will not operate. It requires a digital command sent to it by either a variable speed controller (JEP-R), an AquaLink® RS controller, an AquaLink Pool Digital Assistant (PDA), or an AquaLink Z4™, to operate at a chosen speed.

VS FloPro Controller Options

The VS FloPro pump can be operated by one (1) of four (4) controllers: the JEP-R variable-speed controller, the AquaLink RS controller (Rev O or later), the AquaLink PDA (Rev 4.0 or later), or the AquaLink Z4. The VS FloPro variable-speed pump communicates with the controllers via a four-wire RS-485 interface.

Controller Installation Options

The VS-FHP1.0, VSFHP165JEP, VS-FHP2.0, & VSFHP270JEP pumps come pre-configured for the JEP-R variable-speed controller with DIP switch settings pre-configured to work with this controller. The VSFHP165AUT and VSFHP270AUT Pumps come pre-configured for installation with the AquaLink RS, AquaLink PDA, or AquaLink Z4.

To install with an AquaLink RS controller (Rev O or later), an AquaLink PDA (Rev 4.0 or later), or an AquaLink Z4:

1. Remove power from the VS FloPro pump by disconnecting the high voltage lines or by turning off any breaker to which the VS FloPro pump power is connected.

⚠ WARNING

ELECTRICAL SHOCK HAZARD

Turn off all switches and the main breaker in the variable-speed pump electrical circuit before starting the procedure. Failure to comply may cause a shock hazard resulting in severe personal injury or death.

2. Remove the access cover to complete electrical connections to the motor.
 3. Slide dip switches 1 and 2 down to the OFF position. If applicable to your pump model slide dip switch 5 up to the ON position. See Figure 7.
 4. Select the desired address(es) for the pump by setting dip switches 3 and/or 4, as shown in Section 3.3, *VS FloPro Pump Dip Switch Settings*.
 5. If short RS485 cable or JEP-R controller is pre installed:
 - a. Disconnect the RS485 cable from the 4-pin header on the pump drive.
- Note: Do not cut the cable, or you will lose the ability to return to the default factory configuration.
- b. Connect the new RS-485 cable from the AquaLink through the available compression fitting and route the 4-conductor cable through the motor drive threaded port closest to the connector. Figure 7.
6. Connect the RS-485 connector on the AquaLink® RS (or multiplexer interface board), matching wire colors with connector positions as follows: 1-red, 2-black, 3-yellow, and 4-green. See Figure 7.

7. Restore power to the pump and verify the operation of the controller.
8. Refer to the appropriate manual for set up and operation of the pump: AquaLink RS Owner's Manual, 6593, AquaLink PDA Owner's Manual, H0572300, or AquaLink Z4™ Owner's Manual, H0386600.

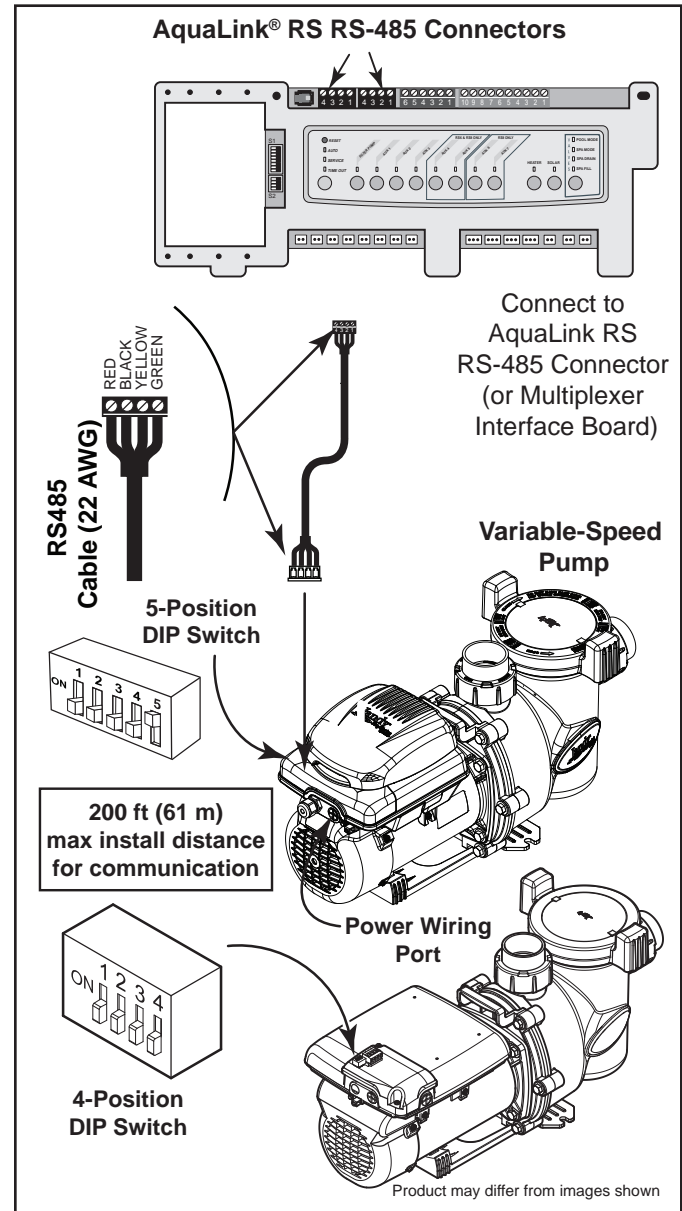


Figure 7. Wiring AquaLink RS Controller or AquaLink PDA

JEP-R Remote Mounting

The variable-speed controller may be remote mounted onto a vertical surface that is protected from the elements.

Follow the directions carefully to maintain the ability to reinstall the variable-speed controller onto the Pump. Reverse these instructions to complete the reinstallation. See Figure 8.

⚠ WARNING**ELECTRICAL SHOCK HAZARD**

Turn off all switches and the main breaker in the variable-speed pump electrical circuit before starting the procedure. Failure to comply may cause a shock hazard resulting in severe personal injury or death.

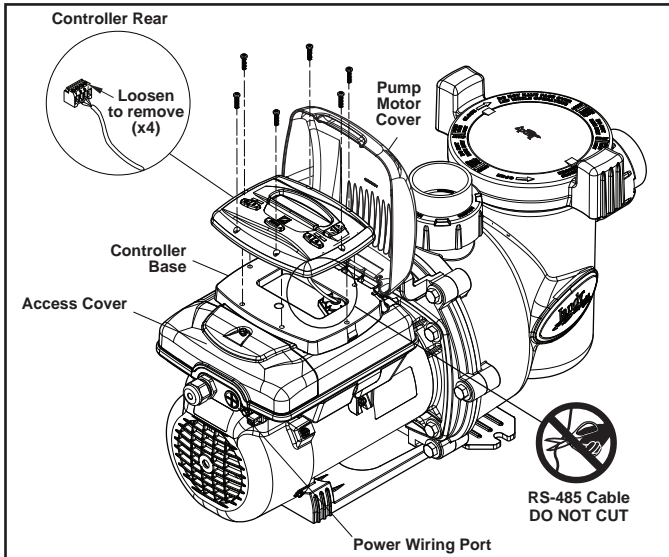


Figure 8. Disconnect Variable-Speed Controller from Pump

⚠ WARNING

When determining routing and protection for the variable-speed controller cabling, ensure that all National Electrical Code® (NEC®) and all local code requirements are met. NEC code requirements prohibit the routing of signal cables in conduits or raceways that are used for branch, feeder, or service conductors. NEC also provides direction for building-to-building routing of signal cables, with regard to lightning protection.

At the pump:

1. Remove power from the pump by disconnecting the high voltage lines or by turning off or deactivating any breaker to which the pump power is connected.
2. Lift up the controller cover on its hinges to access the variable-speed controller.
3. Remove the six (6) screws to disconnect the variable-speed controller from the controller base on the Pump motor.
4. Detach the RS-485 cable connecting the variable-speed controller user interface to the controller base on the motor. Do not over extend the cable when raising the controller away from the motor.
5. Unscrew the four (4) connector terminals and disconnect the wires of the motor cable assembly.

Note: Do not cut the cable, or you will lose the ability to return to the default factory configuration.

6. Bundle the loose wire into the pocket of the controller base. This wire will be used if reinstalling the variable-speed controller onto the Pump.
7. Secure the pocket cover and gasket with six (6) screws to the variable-speed controller base on the motor.
8. Remove the one (1) screw and access cover to complete electrical connections to the motor.
9. Insert the free end of the new RS-485 cable through the available compression fitting and route the 4-conductor cable through the motor drive threaded port closest to the connector.
10. Prepare the cable and attach another 4-pin connector, ensuring the wire colors match Figure 7.
11. Insert the RS-485 connector onto the corresponding RS-485 connector on the motor PCB.
12. Secure the compression fitting nut around the cable to secure the motor.
13. Verify the DIP switch settings match Figure 7.
14. Reinstall the access cover with the single screw removed in step 8.

Follow the instructions in the Variable-Speed Controller User Interface Installation/Owner's manual (H0412200) to complete the remote mounting of the controller.

To install the JEP-R variable-speed controller:**IMPORTANT**

The installer must TURN ON switches 1 and 2 at the VS-FHP2.0 pump when connected to the variable-speed controller.

NOTE The variable-speed controller part no. is JEP-R.

1. Remove power from the pump by disconnecting the high voltage lines or by opening any breaker to which the pump power is connected.

⚠ WARNING**ELECTRICAL SHOCK HAZARD**

Turn off all switches and the main breaker in the variable-speed pump electrical circuit before starting the procedure. Failure to comply may cause a shock hazard resulting in severe personal injury or death.

2. Remove the cover of the junction box and feed the RS-485 cable into the fitting.
3. Unplug the RS-485 connector.
4. Attach the four (4) wires in the RS-485 cable to the RS-485 connector. Match the wire colors with the positions on the connector: 1- red, 2- black, 3- yellow, and 4- green. See Figure 9.
5. Insert the RS-485 connector back into the pump.

- Slide dip switches 1 and 2 up, so they are in the ON position, and slide switches 3 and 4 down, so they are in the OFF position. See Figure 9.

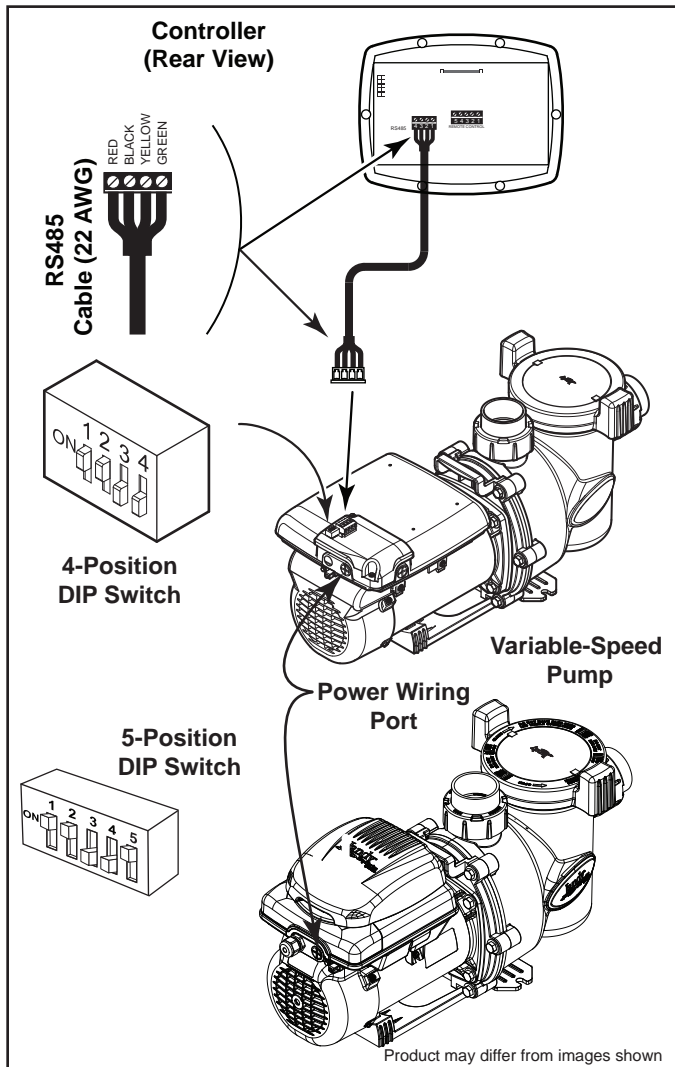


Figure 9. Wiring Variable-Speed Controller (JEP-R)

- Connect the other end of the cable to the controller. Match the colors of the wires with the appropriate connector positions as follows: 1- red, 2- black, 3- yellow, and 4- green.
- Restore power to the pump and verify the operation of the controller.
- Refer to the Variable-Speed Controller Owner’s Manual, H0412200, to operate the pump.

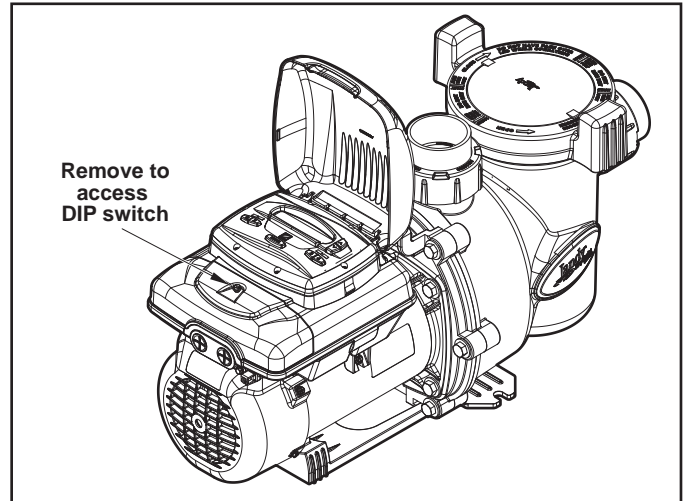


Figure 10. DIP Switch access cover on VS-FHP1.0 & VSFHP165JEP Motor

3.3 VS FloPro Pump Dip Switch Settings

The 4- or 5-position dip switch is located at the rear of the VS FloPro pump. This dip switch serves two (2) functions: it selects the pump address, and it determines what type of controller will be used with the pump.

Table 4. VS-FHP1.0, VSFHP165AUT & VSFHP165JEP Dip Switch Settings

Switch 1	Switch 2	Switch 5	Controller
OFF	OFF	ON	AquaLink RS, AquaLink PDA, or AquaLink Z4™
ON	ON	ON	Variable Speed Controller

Switch 3	Switch 4	Pump Address
ON	OFF	PUMP 2
OFF	ON	PUMP 3
ON	ON	PUMP 4

Table 5. VS-FHP2.0, VSFHP270AUT & VSFHP270JEP Dip Switch Settings

Switch 1	Switch 2	Controller
OFF	OFF	AquaLink® RS, AquaLink PDA, or AquaLink Z4
ON	ON	Variable Speed Controller

Switch 3	Switch 4	Pump Address
ON	OFF	PUMP 2
OFF	ON	PUMP 3
ON	ON	PUMP 4

3.4 Auxiliary Load Operation

Certain pump models are equipped with a terminal bar that provides user access to a built-in Auxiliary Load relay contact. This normally-open, dry contact is activated under certain operating conditions and is primarily intended to be used to control external devices that require system water flow for proper functioning, such as heaters, booster pumps, salt water chlorinators, etc.

See Figures 9 and 10 for compartment’s location details. An access cover with Phillips-head screw must be removed before proceeding.

Auxiliary Load Connection Requirements

⚠ WARNING

ELECTRICAL SHOCK HAZARD

Due to the potential risk of fire, electric shock, or injuries to persons, Zodiac® Pumps and any auxiliary loads must be installed in accordance with the National Electrical Code® (NEC®), all local electrical and safety codes, and the occupational Safety and Health Act (OSHA). Copies of the NEC may be ordered from the National Protection Association, 470 Atlantic Ave., Boston, MA 02210, or from your local government inspection agency.

In Canada, Zodiac Pumps must be installed in accordance with the Canadian Electrical Code (CEC).

- The Auxiliary Load relay contacts are rated at 230V/11A RMS. Please ensure the requirements of the equipment to be connected to the Auxiliary Load do not exceed this rating.

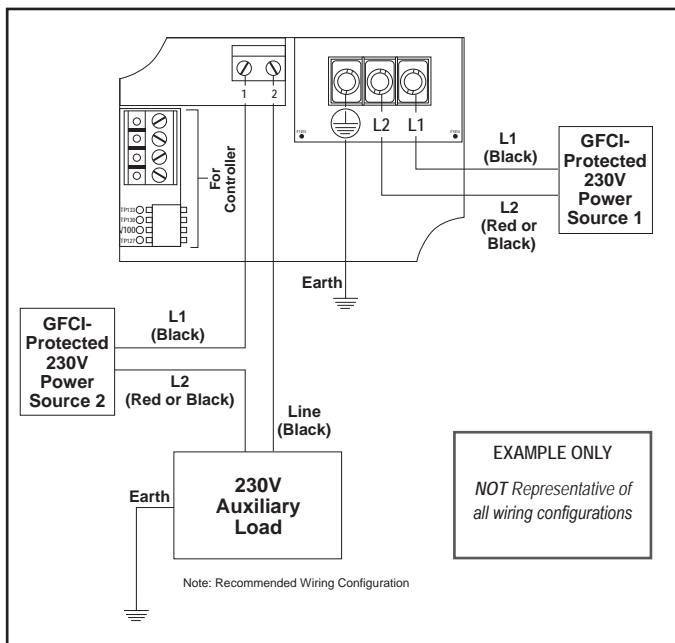


Figure 11. 230V Auxiliary Load, Separate Power Source Wiring Diagram

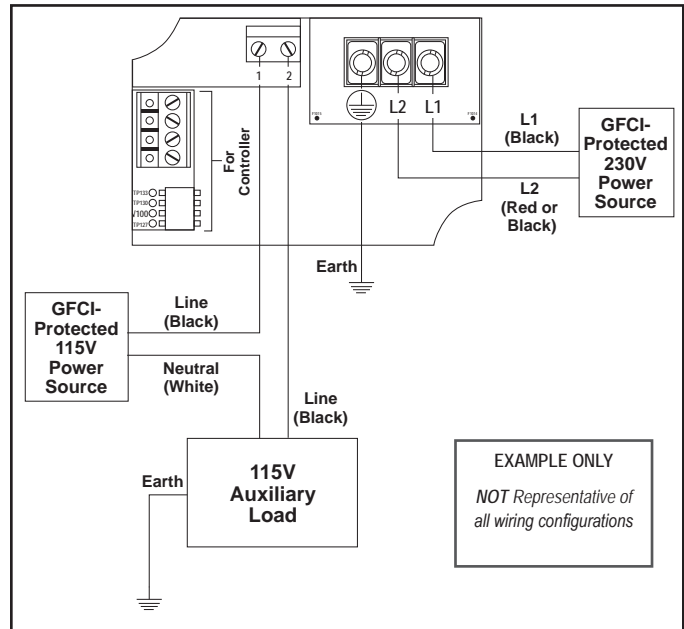


Figure 12. 115V Auxiliary Load, Separate Power Sources Wiring Diagram

Auxiliary Load Operation Characteristics

Auxiliary Load relay contact activation is speed-dependent, and behaves as follows:

Contact Closure

From a stopped condition, there is a three-minute delay before the Auxiliary Load contact is closed when the motor speed reaches and maintains a speed of at least 1725 RPM.

From a running condition at below 1725 RPM, there is a five-second delay before the Auxiliary Load contact is closed when the motor speed reaches and maintains a speed of at least 1725 RPM.

Contact Opening

If the pump speed is below 1725 RPM, the Auxiliary Load contact is opened. Contact openings are always immediate.

3.5 Remove Pump Lid

1. Make sure that the pump is turned off.
2. Make sure that the switch to the circuit breaker that powers the pump motor is turned off.

⚠ WARNING

ELECTRICAL SHOCK HAZARD

Turn off all switches and the main breaker in the variable-speed pump electrical circuit before starting the procedure. Failure to comply may cause a shock hazard resulting in severe personal injury or death.

⚠ WARNING**ELECTRICAL SHOCK HAZARD**

Due to the potential risk of fire, electric shock, or injuries to persons, Zodiac® Pumps must be installed in accordance with the National Electrical Code® (NEC®), all local electrical and safety codes, and the Occupational Safety and Health Act (OSHA). Copies of the NEC may be ordered from the National Protection Association, 470 Atlantic Ave., Boston, MA 02210, or from your local government inspection agency.

In Canada, Zodiac Pumps must be installed in accordance with the Canadian Electrical Code (CEC).

3. Make sure all necessary isolation valves are closed to prevent pool water from reaching the pump.
4. Following the markings on the locking ring, turn the ring counter-clockwise until the 'START' markings align with the ports. See Figures 13 and 14.
5. Carefully remove the lid with locking ring.

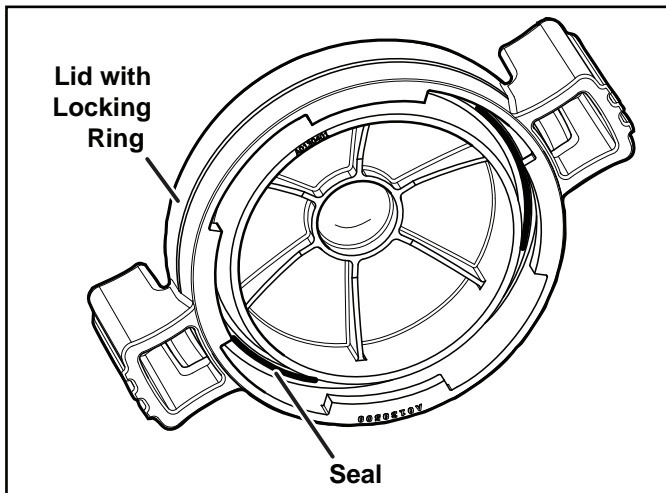


Figure 13. O-ring in Lid Assembly

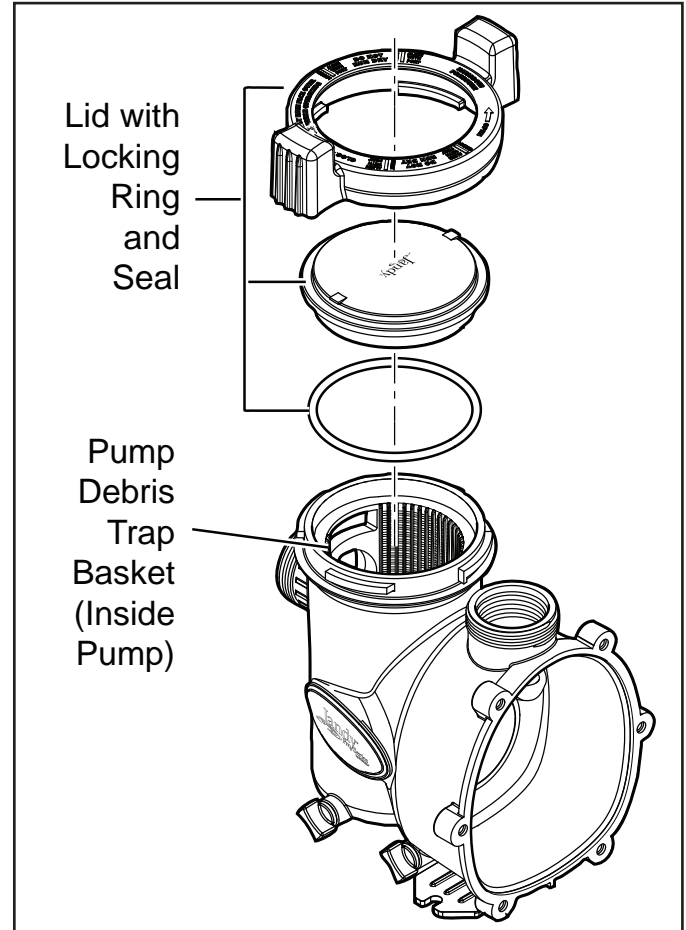


Figure 14. Exploded View of Pump

3.6 Conduct Pressure Test

⚠ WARNING

When pressure testing a system with water, air is often trapped in the system during the filling process. This air will compress when the system is pressurized. Should the system fail, this trapped air can propel debris at a high speed and cause injury. Every effort to remove trapped air must be taken, including opening the bleed valve on the filter and loosening the pump basket lid while filling the pump.

⚠ WARNING

Trapped air in the system can cause the filter lid to be blown off, which can result in death, serious injury, or property damage. Be sure all air is properly purged out of the system before operating. **DO NOT USE COMPRESSED AIR TO PRESSURE TEST OR CHECK FOR LEAKS.**

⚠ WARNING**ELECTRICAL SHOCK HAZARD**

Do not pressure test above 35 PSI. Pressure testing must be done by a trained pool professional. Circulation equipment that is not tested properly might fail, which could result in severe injury or property damage.

⚠ WARNING

When pressure testing the system with water, it is very important to make sure that the pump basket lid is completely secure.

1. Fill the system with water, using care to eliminate trapped air.
2. Pressurize the system with water to no more than **35 PSI**.
3. Close the valve to trap pressurized water in the system.
4. Observe the system for leaks and/or pressure decay.
5. If there are lid leaks, repeat this procedure. For Zodiac Technical Support, call 800.822.7933.

Section 4. Operation

4.1 Start-up

⚠ CAUTION

Never run the pump without water. Running the pump “dry” for any length of time can cause severe damage to both the pump and motor and will void the warranty.

If this is a new pool installation, make sure all piping is clear of construction debris and has been properly pressure tested. The filter should be checked for proper installation, verifying that all connections and clamps are secure according to the manufacturer’s recommendations.

⚠ WARNING

To avoid risk of property damage, severe personal injury or death, verify that all power is turned off before starting this procedure.

1. Depending on the location of the pump, do one of the following:
 - If the pump is located below the water level of the pool, open the filter pressure release valve to prime the pump with water.

- If the pump is located above the water level of the pool, remove the lid and fill the basket with water before starting the pump.
2. Prior to replacing the lid, check for debris around the lid o-ring seat. Debris around the lid o-ring seat will cause air to leak into the system and will make it difficult to prime the pump.
 3. Hand-tighten the lid to make an air tight seal. Do not use any tools to tighten the lid: hand-tighten only. Make sure all valves are open and the unions are tight.
 4. Restore power to the pump. Then turn on the pump by following the instructions in the appropriate manual: Variable-Speed Controller Owner’s Manual, H0412200, AquaLink® RS Owner’s Manual, 6593, AquaLink PDA Owner’s Manual, H0572300, or AquaLink Z4™ Owner’s Manual, H0386600.
 5. Once all the air has left the filter, close the pressure release valve.
 6. The pump should prime. The time it takes to prime will depend on the elevation and length of pipe used on the suction supply pipe. See *Installation Recommendations* in Section 3.1 for proper elevation and pipe size.

The default priming speed is 2750 RPM. The pump will take approximately 14-15 minutes to prime at this priming speed when the pump is located 10 feet above the pool water. If priming speed is adjusted to 3450 RPM, the pump should prime within 6 minutes at 10 feet above the water level.

- NOTE** The pump is NSF-certified as being able to prime at heights up to 10 ft above the pool water level, at sea level. However, to achieve better self-priming, install the pump as close as possible to the water level of the pool.
7. If the pump does not prime and all the instructions to this point have been followed, check for a suction leak. If there is no leak, repeat Steps 2 through 7.
 8. For technical assistance, call Zodiac® Technical Support at 800.822.7933.

Section 5. Service and Maintenance

⚠ CAUTION

To avoid damage to the plastics, do not use lubricant or sealant on the o-ring. Only soapy water should be used to install and lubricate the o-ring.

5.1 Routine Maintenance

Inspect the pump filter basket for debris by looking through the clear pump lid. Remove any debris, because as debris accumulates, it will begin to block the flow of water through the pump. Keep the basket clean to improve the performance of the pump.

1. Turn off the power to the pump. If the pump is located below the water level, close the isolation valves on the suction and discharge sides of the pump to prevent backflow of water.
2. Turn the lid's locking ring counter-clockwise until 'START' aligns with the ports. Carefully remove the lid.

⚠ CAUTION

A misaligned basket will cause the lid to be improperly seated, allowing an air leak, which could result in pump damage.

3. Lift the basket out of the pump.
4. Dispose of the debris and thoroughly clean the basket, making sure all the holes are open. Using a garden hose, spray the basket from the outside to help clear the holes. Remove any remaining debris by hand.
5. Replace the basket in the pump by aligning the opening with the suction pipe. If aligned properly, the basket will drop easily into place. **Do not force it into place.**
6. Remove the lid seal and remove debris around the lid seal seat, as this can allow air to leak into the system. Clean the lid seal and place it on the lid.
7. Replace the lid with locking ring. **Hand-tighten** the lid to make an air-tight seal. Do not use any tools to tighten the lid: **hand-tighten only.**
8. Verify that all valves have been returned to the proper position for normal operation.
9. Open the pressure release valve on the filter, and make sure it is clean and ready for operation.
10. Turn on the power to the pump. Once all the air has been evacuated from the filter, close the pressure release valve.

5.2 Winterizing the Pump

⚠ CAUTION

The pump **must** be protected when freezing temperatures are expected. Allowing the pump to freeze will cause severe damage and void the warranty.

⚠ CAUTION

Do not use antifreeze solutions in the pool, spa, or hot tub systems! Antifreeze is highly toxic and may damage the circulation system. The only exception to this is Propylene Glycol. For more information, see your local pool/spa supply store or contact a qualified swimming pool service company.

1. Drain all water from the pump, system equipment, and piping.
2. Remove the two (2) drain plugs. Store the drain plugs in a safe location and reinstall them when the cold weather season is over. **Ensure drain plug o-rings are not misplaced.**
3. Keep the motor covered and dry. Do not cover the pump with plastic, because this will create condensation that will damage the pump.

- NOTE** Zodiac Pool Systems LLC recommends having a qualified service technician or electrician properly disconnect the electrical wiring at the switch or junction box. Once the power is removed, loosen the two (2) unions and store the pump indoors. For safety, and to prevent entry of contaminants, reinstall all conduit and terminal box covers.
4. When the system is reopened for operation, have a qualified technician or electrician make sure all piping, valves, wiring and equipment are in accordance with the manufacturer's recommendations. Pay close attention to the filter and electrical connections.
 5. The pump must be primed prior to starting. Refer to Section 4.1, Start-up.

Section 6. Troubleshooting and Repair

Zodiac® strongly recommends that you call a qualified service technician to perform any repairs on the filter/pump system. To locate a qualified technician, check your local yellow pages or visit www.zodiacpoolsystems.com or www.zodiacpoolsystems.ca and click on “Dealer Locator.”

Symptom	Possible Cause/Solution
The cleaning/circulating system is not operating correctly.	<p>Verify that skimmer baskets, pump basket and other screens are clean. Clean as necessary.</p> <p>Check filter and clean as necessary.</p> <p>Check valve positions. Adjust as necessary.</p> <p>NOTE Multiple pieces of equipment operating at one time (for example, waterfalls, spa jets, and surface returns) will affect the proper operation of the cleaning system.</p> <p>Check the cleaning system manual to ensure that the system is adjusted according to the manufacturer's recommendations.</p>
Bubbles are present in the pump basket.	<p>Air is in the system. Check the pool or spa water level to ensure that it is at the proper level and air is not being drawn into the suction piping. If the water is at the normal level, turn off the pump. Turn the lid's locking ring counter-clockwise until 'START' aligns with the ports. Remove the lid and do a visual inspection of the lid seal looking for cracks or gaps on the rubber surface. If none are observed, use a clean rag to wipe the surface clean (note: the rag may show black material that came off the lid seal). Use the rag again to clean the mating surface of the housing. Using a very small amount of silicone lubricant (no Vaseline) will help make a proper seal and protect the lid seal. Align 'START' with the ports and turn the locking ring clockwise until 'LOCKED' aligns with the ports. Hand-tighten the lid to make an air-tight seal. Do not use any tools to tighten the lid. Turn the pump back on. If problem is not resolved lid seal replacement may be necessary.</p>
Air leaks are still present.	<p>Check the suction side piping union. While the pump is running, try to tighten the union. If this does not stop the air leak, turn off the pump. Loosen both unions and slide the pump out of the way. Remove, clean, and re-install both union o-rings.</p> <p>Reposition the pump next to the piping and secure the union nuts to the pump. With clean union o-rings, hand-tightening of the unions should create a seal. If the unions still do not seal, gently tighten with a large pair of tongue-and-groove pliers.</p> <p>Do not over-tighten.</p>
There is no air in the system, but the pressure is still low.	<p>It is possible that debris is caught in the pump impeller. The pump impeller moves the water, and the vanes in the impeller can become blocked with debris. See <i>Section 6.1, Service Technician Maintenance and Blocked Impeller</i>, in this manual for more information.</p>
There is no debris blocking the impeller and the pressure is still low.	<p>The pump impeller and diffuser are showing signs of normal wear. Have a qualified service technician check the impeller and diffuser and replace as necessary.</p> <p>If the pump is part of a relatively new installation, it could be an electrical problem. Contact a qualified service technician. Have the technician check for loose electrical connections and check the voltage at the pump motor while it is in operation. The voltage must be within 10% of the motor's data plate rating. If the voltage is not within 10%, contact a qualified electrician and/or the local power service provider.</p> <p>Pump seal is leaking air. Have a qualified service technician replace the seal.</p>
The pump is leaking water between the motor and pump body.	<p>This is caused by a damaged or failed mechanical seal. Replace the seal.</p>

Symptom	Possible Cause/Solution
The pump gets hot and shuts off periodically.	Make sure that there is adequate room around the motor to circulate air and keep the motor cool. Have a qualified electrician check for loose connections and check the voltage at the pump motor while it is in operation. The voltage must be within 10% of the motor's data plate rating. If the voltage is not within 10%, contact a qualified electrician and/or the local power service provider.
Pump will not start.	No power to pump. Make sure pump is properly connected to high voltage. See <i>Section 3.2, Electrical Installation</i> , in this manual.
	Improper low-voltage wiring. Check low-voltage wiring between pump and controller. Correct if necessary. See <i>Section 3.2, Electrical Installation</i> , in this manual.
	Improper pump address setting. Make sure that pump dip switches 3 and 4 are set properly for the installation. Both should be OFF for use with Variable-Speed Controller or set to the proper address when connected to an AquaLink® RS controller, an AquaLink PDA, or an AquaLink Z4™. See <i>Section 3.3, Pump Dip Switch Settings</i> , in this manual. Note: VS-FHP1.0 & VSFHP165JEP should always have dip switch setting 5 set to ON for both controllers.
	Fault condition exists. View fault message on controller and correct fault before proceeding. If unsure how to correct fault, contact Zodiac® Technical Support at 800.822.7933.
Variable-Speed Controller LCD is not displaying information or pump LEDs are not illuminated.	Incorrect dip switch setting. Make sure pump dip switches 1 and 2 are both ON if the controller is the JEP-R and both are OFF if the controller is a PDA, AquaLink RS, or AquaLink Z4. See <i>Section 3.3, Pump Dip Switch Settings</i> , in this manual. Note: VS-FHP1.0 & VSFHP165JEP should always have dip switch setting 5 set to ON for both controllers.
	Improper low-voltage wiring. Check low-voltage wiring between pump and controller. Correct if necessary. See <i>Section 3.2, Electrical Installation</i> , in this manual.
Controller displays "Pump not connected".	Improper low-voltage wiring. Check low-voltage wiring between pump and controller. Correct if necessary. See <i>Section 3.2, Electrical Installation</i> , in this manual.
	Improper pump address set. Ensure pump dip switches 3 and 4 are set properly for the installation. Both should be OFF for use with Variable-Speed Controller or set to the proper address when connected to an AquaLink RS controller, an AquaLink PDA, or an AquaLink Z4. See <i>Section 3.3, Pump Dip Switch Settings</i> , in this manual. Note: VS-FHP1.0 & VSFHP165JEP should always have dip switch setting 5 set to ON for both controllers.
Fault message appears on controller display.	Fault condition exists. View fault message on controller and correct fault before proceeding. If unsure how to correct fault, contact Zodiac Technical Support at 800.822.7933. In Canada, call 1-888-647-4004

6.1 Service Technician Maintenance

CAUTION

This pump must be serviced by a professional service technician qualified in pool/spa installation. The following procedures must be followed exactly. Improper installation and/or operation can create dangerous electrical hazards, which can cause high voltages to run through the electrical system. This can cause property damage, serious personal injury, and/or death. Improper installation and/or operation will void the warranty.

Blocked Impeller

WARNING

Before servicing the pump, switch off the circuit breakers at the power source. Severe personal injury or death may occur if the pump starts while your hand is inside the pump.

1. Turn off the pump. Switch off the circuit breaker to the pump motor.
2. Remove the lid and basket.
3. Look inside the pump for debris. Remove any debris found inside.
4. Replace the basket and lid.
5. Switch on the circuit breaker to the pump motor.
6. Turn on the pump, and see if the problem is solved.
7. If the impeller is still blocked with debris and it is not possible to remove the debris using Steps 2 through 4, the pump will need to be disassembled in order to access the inlet and outlet of the impeller.

Section 7. Product Specifications and Technical Data

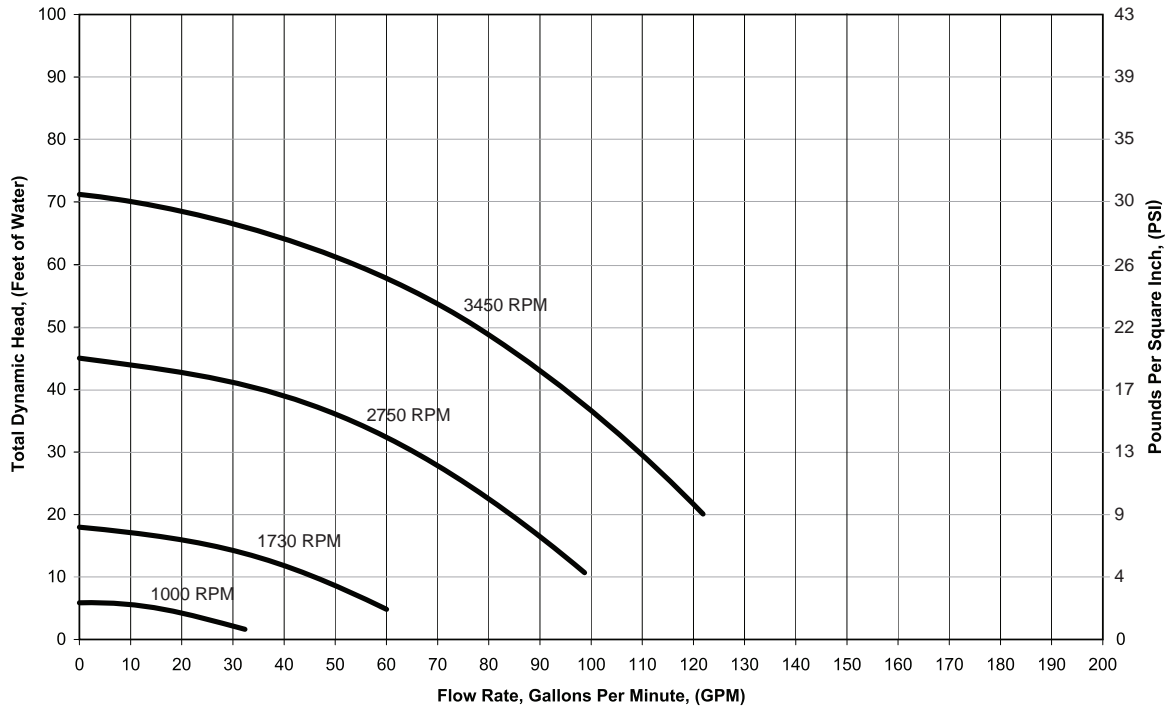
7.1 Replacement Parts List and Exploded View

To order or purchase parts for Zodiac® pumps, contact your nearest Zodiac dealer. If the Zodiac dealer cannot supply you with what you need, contact Zodiac Technical Support at 1.800.822.7933, or send an e-mail message to productsupport@zodiac.com. In Canada, 1-888-647-4004, customerservice.PSC@zodiac.com

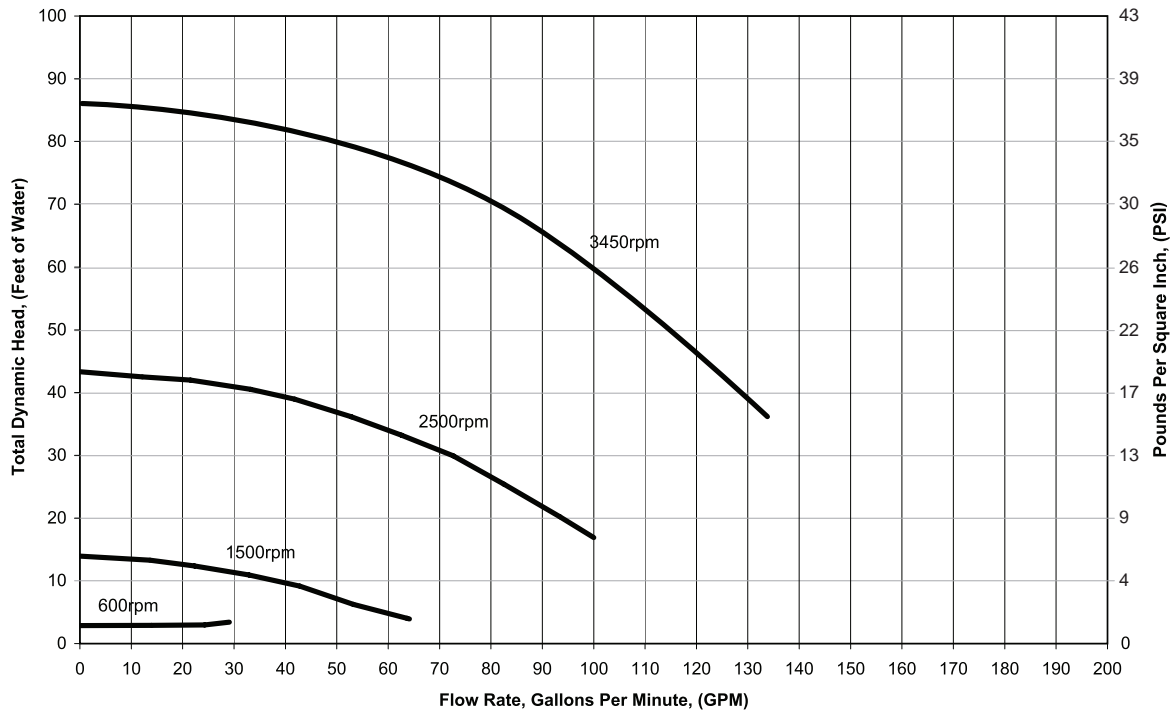
Key No.	Description	Order Part No.
1	Motor, Drive, VS-FHP2.0 & VSFHP270AUT	R0562201
1	Motor, Drive, VS-FHP1.0, VSFHP165JEP	R0571000
1	Motor, Drive, VSFHP165AUT	R0670400
2	Backplate, (Backplate w/Hardware, Backplate O-ring & Mechanical Seal)	R0479500
3	Impeller, (Impeller, Screw w/O-ring), VS-FHP2.0	R0479605
3	Impeller, (Impeller, Screw w/O-ring), VS-FHP1.0	R0479603
4	Diffuser, (Diffuser w/O-ring, Hardware & Backplate O-ring)	R0479701
5	Mechanical Seal, Carbon and Ceramic (1 Set)	R0479400
6	Pump Body, (Body and Backplate O-ring)	R0479800
7	Motor Mounting Foot	R0479900
8	Lid w/Locking Ring, (Lid w/Locking Ring & Lid O-ring)	R0480000
9	Pump Debris Filter Basket	R0480100
10	Drain Plug w/ O-ring (Set of 2)	R0446000
11	Tail Piece, O-ring & Union Nut (Set of 2)	R0327301
12	Lid O-ring	R0480200
13	Backplate O-ring	R0480300
14	Tailpiece O-ring (Set of 2)	R0337601
15	Diffuser/Impeller Hardware (Diffuser O-ring, Screws (2), Self Sealing Screw)	R0480400
16	Backplate Hardware (Backplate Hardware & Backplate O-ring)	R0480500
17	Motor Hardware Kit	R0446700
18	Pump Base Kit	R0486700
19	Cover Fan, GEN II Replacement Kit (Hardware, Cover)	R0562400
20	Hardware Speed Drive, GEN II	R0562500
21	Connector, Speed Drive, VS-FHP Pump (4-Pin Connector)	R0660900
22	Cable, RS485, Replacement Kit	R0535100
23	Screw w/O-Ring	R0515400
24	Cover, Large, Speed Drive w/Gasket, GEN II	R0562300
25	Base Spacer, FHP, VS-FHP, Replacement Kit	R0546400
26	Data Cable, Feed Thru	R0501100
27	User Interface Kit, Variable-Speed Pumps	JEP-R
28	Cover, Controller, VS-FHP 1.0	R0571500
29	Fan Cover, VS-FHP1.0	R0571300
30	Access Cover, VS-FHP1.0	R0571400
31	User Interface Screws, VS-FHP1.0	R0571600
32	Conduit Fitting, 1/2 NPT, VS-FHP1.0	R0501101
33	Rear Access Cover Screw, VS-FHP1.0	R0587600

7.3 Performance Curves

Jandy Pro Series VS FloPro Series Pump
VS-FHP1.0, VSFHP165AUT & VSFHP165JEP Performance Curves



Jandy Pro Series VS FloPro Series Pump
VS-FHP2.0, VSFHP270AUT & VSFHP270JEP Performance Curves



7.4 Physical and Operational Specifications

Specifications

Model No.	HP	Voltage	Max Watts	Pipe Size	Carton Weight	Overall Length 'A'
VS-FHP1.0, VSFHP165AUT & VSFHP165JEP	1.0	230 VAC	1,600W	2 - 2½"	46 lbs.	64 cm (25.2")
VS-FHP2.0, VSFHP270AUT & VSFHP270JEP	2.0	230 VAC	2,400 W	2½ - 3"	56 lbs.	69 cm (27.2")

7.4.2 Dimensions

NOTE When installing a pump, leave a minimum of two (2) feet (30 cm) of clearance above the pump for removal of the strainer basket.

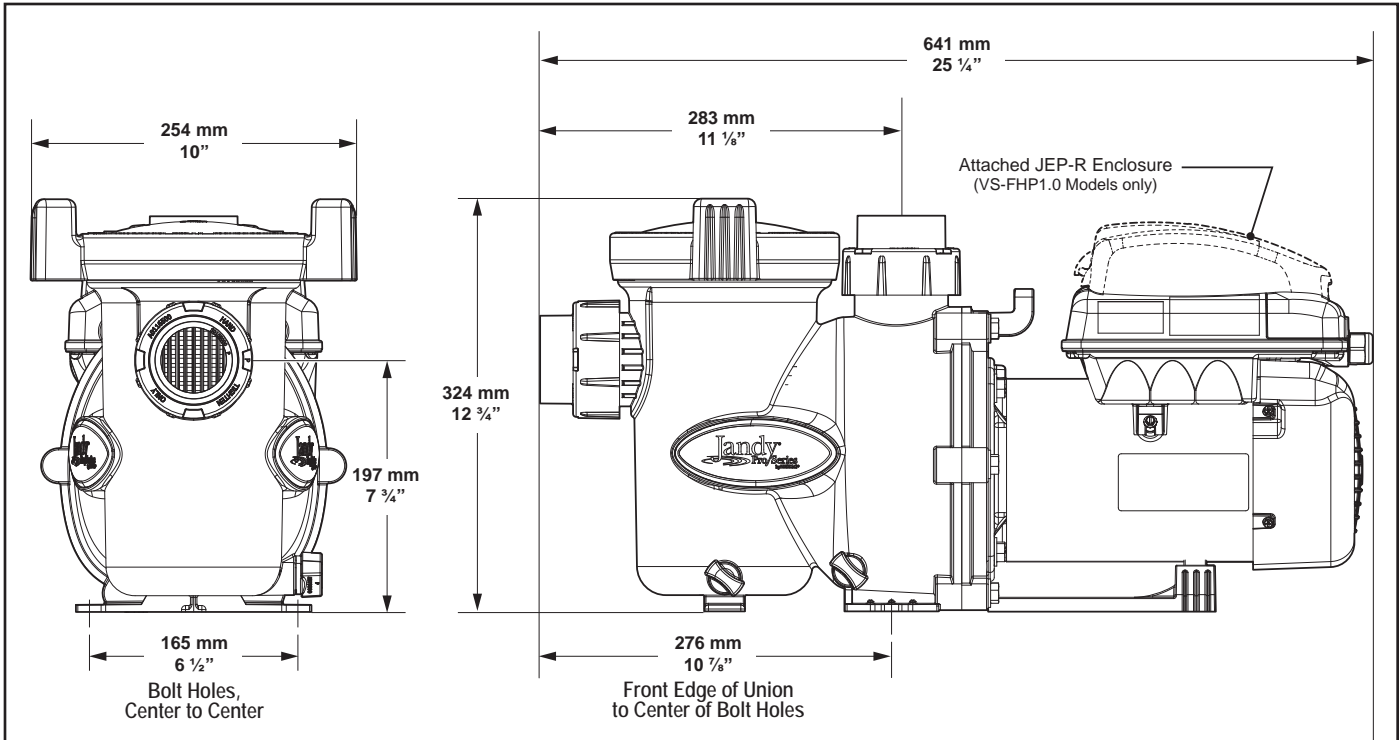


Figure 16. VS-FHP1.0 & VSFHP165AUT Dimensions

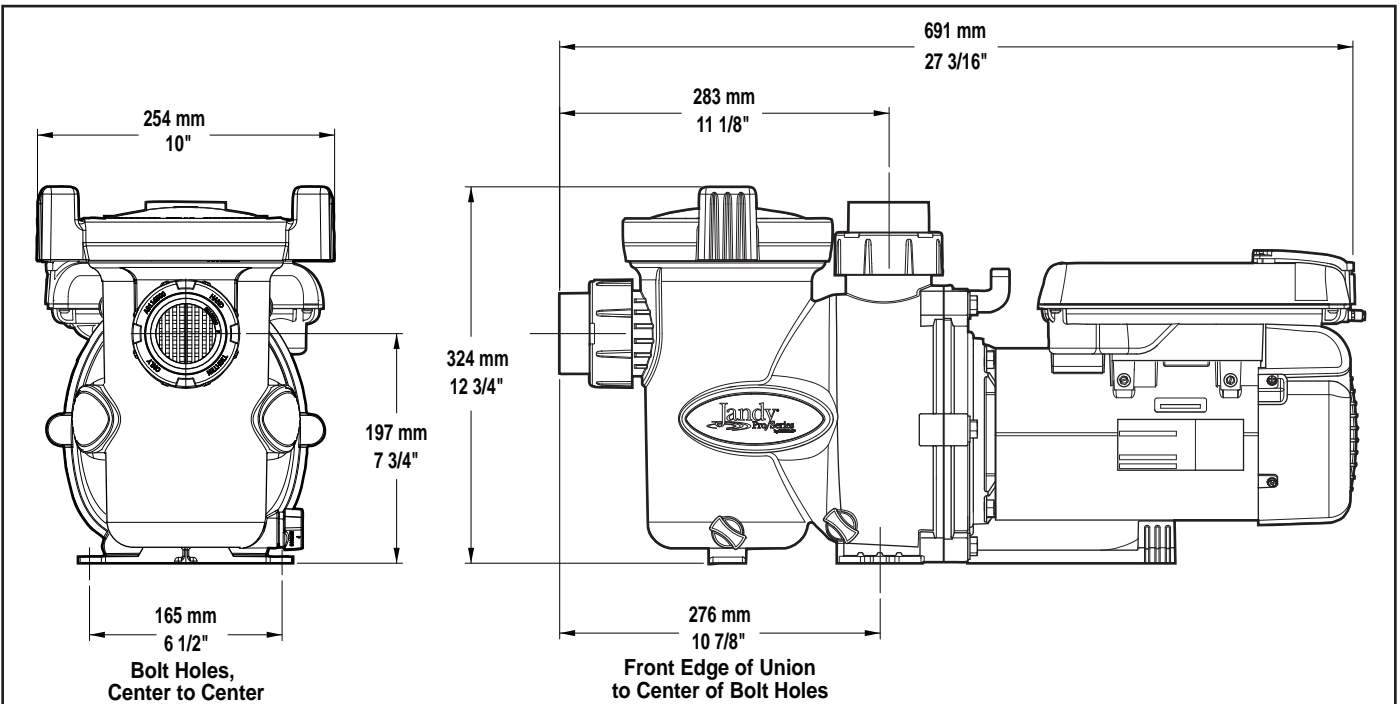


Figure 17. VS-FHP2.0 & VSFHP270AUT Dimensions

Zodiac Pool Systems LLC
 2620 Commerce Way, Vista, CA 92081
 1.800.822.7933 | www.ZodiacPoolSystems.com

Zodiac Pool Systems Canada, Inc.
 2-3365 Mainway, Burlington, Ontario L7M 1A6
 + 1 (888) 647-4004 | www.ZodiacPoolSystems.ca

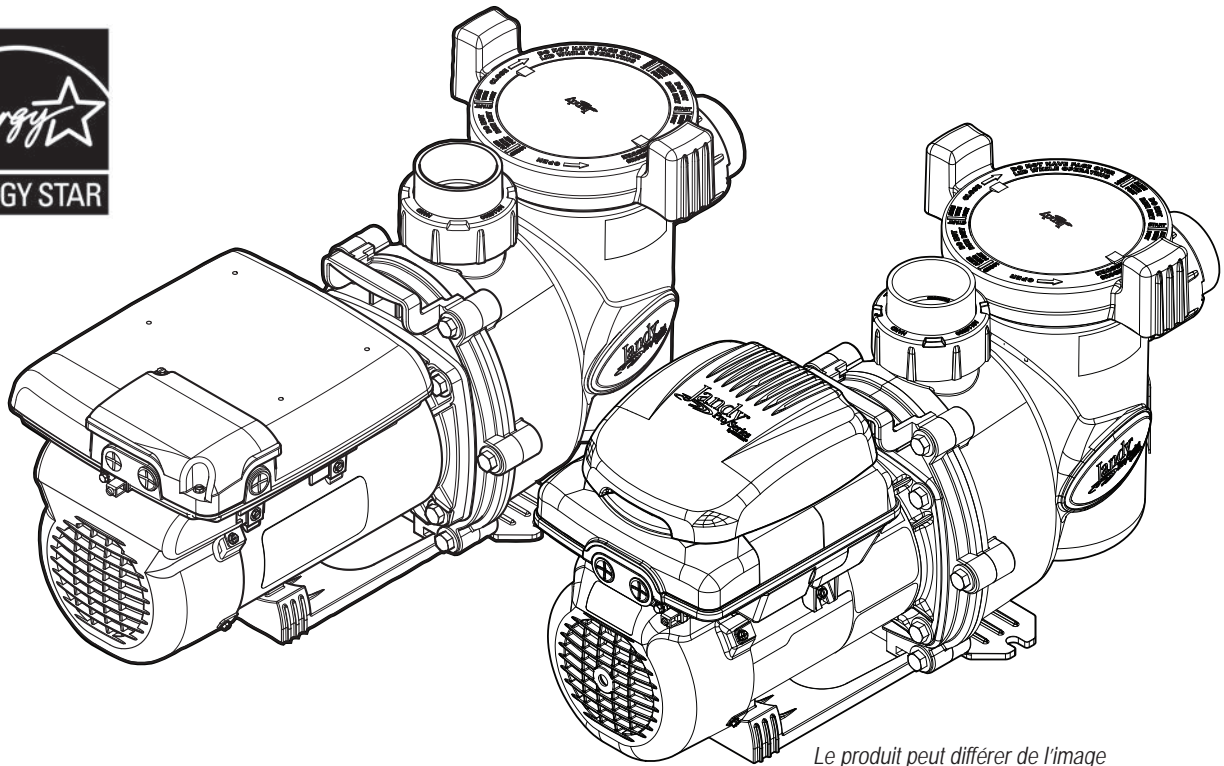
©2017 Zodiac Pool Systems LLC. ZODIAC® is a registered trademark of Zodiac International, S.A.S.U., used under license. All trademarks referenced herein are the property of their respective owners.

H0420400 REVH



ETL LISTED
 CONFORMS TO
 UL STD 1081
 Certified to
 CAN/CSA STD
 C22.2 No. 108





Le produit peut différer de l'image

Série Jandy Pro

Pompe à vitesse variable de la série VS FloPro™

⚠ WARNING

POUR VOTRE SÉCURITÉ – L'installation et l'entretien de ce produit doivent être effectués par un technicien autorisé et qualifié pour la réparation des équipements de piscine dans le territoire de compétence dans lequel ledit produit est installé lorsque de telles exigences locales, provinciales ou territoriales existent. Le responsable de l'entretien doit être un professionnel ayant une expérience suffisante dans l'installation et l'entretien des équipements de piscine de manière à ce que les consignes du présent manuel puissent être suivies à la lettre. Avant d'installer ce produit, prière de lire et respecter toutes les consignes de mise en garde et les instructions comprises avec ce produit. Le non-respect des avertissements et des instructions pourrait causer des dommages matériels, des blessures graves ou même la mort.



Une installation ou une utilisation inappropriée annuleront la garantie. L'installation ou l'utilisation inappropriée peuvent créer un danger électrique indésirable, lequel peut entraîner des blessures graves, des dommages matériels ou la mort..

À L'ATTENTION DE L'INSTALLATEUR - Le présent manuel contient des renseignements importants sur l'installation, le fonctionnement et la sécurité de ce produit. Ces renseignements doivent être donnés au propriétaire ou à l'utilisateur de cet appareil.

Table des matières

Section 1. Consignes importantes de sécurité.....	27
1.1 Consignes de sécurité.....	27
1.2 Normes de prévention du piégeage par aspiration de la pompe de piscine.....	29
Section 2. Description générale.....	30
2.1 Introduction.....	30
2.2 Description.....	30
Section 3. Renseignements sur ...l'installation.....	30
3.1 Plomberie.....	30
3.2 Installation électrique.....	33
3.3 Réglages des commutateurs DIP de la pompe VS FloPro.....	37
3.4 Fonctionnement de la charge auxiliaire.....	38
3.5 Retrait du couvercle de la pompe.....	39
3.6 Conduite d'essai de pression.....	39

Section 4. Fonctionnement.....	40
4.1 Démarrage.....	40
Section 5. Service et entretien.....	41
5.1 Entretien de routine.....	41
5.2 Hivernage de la pompe.....	41
Section 6. Dépannage et réparation.....	42
6.1 Entretien par un technicien de service.....	44
Section 7. Caractéristiques du produit et données techniques.....	45
7.1 Liste et vue éclatée des pièces de rechange ...	45
7.2 Vues éclatées.....	46
7.3 Courbes de rendement.....	47
7.4 Spécifications physiques et fonctionnelles.....	47

FICHE DE RENSEIGNEMENTS SUR L'ÉQUIPEMENT

DATE D'INSTALLATION _____

INFORMATION SUR L'INSTALLATEUR _____

LECTURE INITIALE DU MANOMÈTRE (AVEC FILTRE TRANSPARENT) _____

MODÈLE DE POMPE _____ PUISSANCE _____

REMARQUES : _____

Section 1. Consignes importantes de sécurité

LIRE ET SUIVRE TOUTES LES DIRECTIVES

1.1 Consignes de sécurité

Tous les travaux d'électricité doivent être accomplis par un électricien agréé et doivent être conformes aux normes fédérales, provinciales et locales. Au moment de l'installation et de l'utilisation de cet équipement électrique, des précautions de base doivent toujours être suivies, entre autres :

AVERTISSEMENT

RISQUE DE PIÉGEAGE DANS LA CONDUITE D'ASPIRATION QUI, SI NON ÉVITÉ, POURRAIT ENTRAÎNER DES BLESSURES GRAVES OU LA MORT. Ne pas bloquer l'aspiration de la pompe, car cela peut causer une blessure grave ou la mort. Ne pas utiliser cette pompe pour des pataugeoires, des piscines peu profondes ou des spas ayant des canalisations d'évacuation à la base, sauf si la pompe est connectée à au moins deux (2) orifices d'aspiration qui fonctionnent. Les sorties d'aspiration (drain) et leurs couvercles être certifiés par la dernière édition publiée de la norme ANSI®/ASME® A112.19.8 ou sa norme subséquente, ANSI/APSP-16.

AVERTISSEMENT

Pour réduire le risque de blessure, ne pas permettre aux enfants d'utiliser ce produit.

AVERTISSEMENT

Afin de réduire le risque de dommages matériels ou de blessures, ne pas essayer de changer la position du robinet de lavage à contre-courant (multivoies, de glissement ou de passage intégral) pendant le fonctionnement de la pompe.

AVERTISSEMENT

Les pompes de la série Jandy Pro fonctionnent à l'aide d'un moteur électrique haute tension et doivent être installées par un électricien agréé ou licencié ou un technicien d'entretien de piscines.

AVERTISSEMENT

En raison du risque potentiel d'incendie, d'électrisation ou de blessures aux personnes, les pompes de la série Jandy Pro doivent être installées en conformité avec le Code national de l'électricité (NEC®), tous les codes locaux d'électricité et de sécurité et la Loi sur la santé et la sécurité au travail (OSHA). Des copies du Code national de l'électricité peuvent être commandées auprès de la « National Fire Protection Association », 470 Atlantic Ave., Boston, MA 02210, ou de l'agence locale d'inspection gouvernementale.

AVERTISSEMENT

RISQUE DE CHOC ÉLECTRIQUE, D'INCENDIE, DE BLESSURES OU DE MORT. Brancher seulement à un circuit qui est protégé par un disjoncteur de fuite à la terre. En cas de doute, consulter un électricien certifié. Un tel disjoncteur devrait être fourni par l'installateur et devrait faire l'objet d'essais sur une base régulière. Pour tester le disjoncteur de fuite à la terre, appuyer sur le bouton TEST. Le disjoncteur de fuite à la terre doit couper l'alimentation électrique. Appuyer sur le bouton RESET (réinitialisation). L'alimentation électrique devrait être restaurée. Si le DDFT ne fonctionne pas de cette façon, c'est qu'il est défectueux. Si le disjoncteur de fuite à la terre coupe l'alimentation à la pompe sans que le bouton de test soit enfoncé, il y a alors circulation de courant à la terre, ce qui indique la possibilité de choc électrique. Ne pas utiliser l'appareil. Débrancher cet appareil et s'assurer que le problème soit résolu par un représentant de service qualifié avant de l'utiliser.

AVERTISSEMENT

Un équipement mal installé peut être défaillant et causer des blessures graves ou des dommages matériels.

⚠ AVERTISSEMENT

- Ne pas connecter le système à un réseau urbain de distribution d'eau non réglementé ou à une source externe d'eau sous pression, générant des pressions supérieures à 2,4 bar (35 psi).
- Le piégeage d'air dans le circuit peut provoquer une ouverture explosive du couvercle du filtre pouvant causer la mort, de graves lésions corporelles ou des dommages matériels. Avant d'utiliser le système, s'assurer que tout l'air soit bien expulsé.

⚠ AVERTISSEMENT

Pour réduire les risques de blessure grave voire de mort, le filtre et/ou la pompe ne devraient pas être soumis à l'essai de mise sous pression du système de tuyauterie.

Les codes locaux peuvent exiger l'application d'un essai de pressurisation sur la tuyauterie de la piscine. Ces exigences ne s'appliquent généralement pas à l'équipement de piscine, tel que les filtres ou les pompes.

L'équipement de piscine Zodiac® a fait l'objet d'essais de pressurisation en usine.

Si toutefois l'AVERTISSEMENT ne peut être respecté et que l'essai de pressurisation de la tuyauterie doit aussi inclure le filtre ou la pompe, S'ASSURER DE SE CONFORMER AUX CONSIGNES DE SÉCURITÉ SUIVANTES :

- Vérifier que l'ensemble des brides, boulons, couvercles, bagues de retenue et accessoires du système sont correctement installés et fixés solidement avant d'effectuer un test.
- **ÉVACUER TOUT L'AIR dans le circuit avant les essais.**
- La pression d'eau pour l'essai ne doit PAS DÉPASSER 35 lb/po² (241 kPa).
- La température de l'eau pour l'essai NE DOIT PAS DÉPASSER 100 °F (38 °C).
- Limiter l'essai à 24 heures. Après l'essai, vérifier visuellement le système pour s'assurer qu'il est prêt à fonctionner.

AVIS : ces paramètres s'appliquent uniquement à l'équipement Zodiac. Pour l'équipement non fabriqué par Zodiac, consulter le fabricant.

⚠ AVERTISSEMENT

Des déversements et vapeurs chimiques peuvent affaiblir l'équipement de la piscine ou du spa. La corrosion peut causer la défaillance des filtres et autre équipement, ce qui peut entraîner des blessures graves ou des dommages matériels. Ne pas entreposer de produits chimiques de piscine près de votre équipement.

⚠ Mise en garde

Ne pas démarrer votre pompe à sec! Faire fonctionner la pompe à sec pendant une durée quelconque causera des dommages importants et annulera la garantie.

⚠ Mise en garde

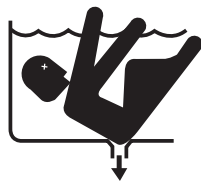
Cette pompe doit être utilisée avec des piscines installées de manière permanente et, si c'est également mentionné, avec des jacuzzis et des spas. Ne pas utiliser dans des piscines remisables. Une piscine installée de manière permanente est construite dans le sol ou sur le sol ou dans un édifice de sorte qu'elle ne peut pas être facilement démontée aux fins de remisage. Une piscine remisable est construite pour être facilement démontée aux fins d'entreposage, puis réassemblée à son état initial.

⚠ Mise en garde

Ne pas installer dans une enceinte externe ou sous la jupe d'une cuve thermale. La pompe nécessite une ventilation adéquate afin de maintenir la température de l'air inférieure à la température ambiante maximale indiquée sur la plaque signalétique du moteur.

CONSERVER CES DIRECTIVES

1.2 Normes de prévention du piégeage par aspiration de la pompe de piscine.



⚠ AVERTISSEMENT

DANGER D'ASPIRATION. Peut provoquer de graves blessures ou la mort. Ne pas utiliser cette pompe pour des pataugeoires, des piscines peu profondes ou des spas ayant des canalisations d'évacuation à la base, sauf si la pompe est connectée à au moins deux (2) orifices d'aspiration qui fonctionnent.

⚠ AVERTISSEMENT

L'aspiration de la pompe est dangereuse et peut piéger, noyer ou éviscérer les baigneurs. Ne pas utiliser ni faire fonctionner les piscines, les spas ou les jacuzzis si un couvercle de sortie d'aspiration est absent, brisé ou instable. Les directives suivantes fournissent l'information d'installation de la pompe qui permet de réduire le plus possible les risques de blessures aux utilisateurs des piscines, des spas et des jacuzzis :

Protection contre le piégeage — Le système d'aspiration de la pompe doit fournir une protection contre les dangers de piégeage par aspiration.

Couvercles de bouches d'aspiration — Toutes les bouches d'aspiration doivent être correctement installées, et les couvercles bien vissés en place. Tous les couvercles de bouche d'aspiration (canalisation d'évacuation) doivent être entretenus adéquatement. Ils doivent être remplacés s'ils sont fissurés, cassés ou absents. Les couvercles des drains doivent être énumérés/certifiés par la dernière édition publiée de l'ANSI®/ASME® A112.19.8 ou de la norme subséquente, ANSI/APSP-16. La piscine doit être fermée et les baigneurs doivent avoir l'interdiction d'y entrer jusqu'à ce que tout couvercle de conduite d'évacuation fissuré, brisé ou manquant soit changé.

Nombre de bouches d'aspiration par pompe - Fournir au moins deux (2) bouches d'aspiration hydrauliquement équilibrées, avec couvercles, en guise de bouches d'aspiration pour chaque conduite d'aspiration de pompe de circulation. Les centres des bouches d'aspiration sur toute conduite d'aspiration doivent être à au moins un (1) mètre (3 pi) l'une de l'autre, de centre en centre. Voir Figure 1.

Le système doit être conçu pour comprendre au moins deux bouches d'aspiration (drains) connectées à la pompe chaque fois que la pompe fonctionne. Cependant, si deux (2) bouches d'aspiration aboutissent à une seule conduite d'aspiration, cette dernière peut être équipée d'un robinet qui coupera les deux bouches d'aspiration de la pompe. Le système doit être conçu de manière à ne pas permettre une fermeture ou un isolement distinct ou indépendant de chaque drain. Voir la Figure 1.

D'autres pompes peuvent être raccordées à une conduite d'aspiration unique à condition que les exigences susmentionnées soient remplies.

Vitesse de l'eau – La vitesse maximale de l'eau passant par la sortie d'aspiration et son couvercle, pour toute sortie d'aspiration, ne doit pas dépasser le débit maximal de l'assemblage et de son couvercle pour lequel ils ont été conçus. Le débit à travers les autres bouches d'aspiration (drains) et leurs couvercles doit être conforme à la dernière version ANSI®/ASME® A112.19.8 publiée, la norme pour les raccords d'aspiration à utiliser dans les piscines, pataugeoires, spas et cuves thermales, ou à la norme qui lui succède, ANSI/ASME APSP-16.

Essais et certification - Les couvercles des bouches d'aspiration doivent avoir fait l'objet d'essais de la part d'un laboratoire reconnu au niveau national et jugés conformes à la dernière version publiée de la norme ANSI/ASME A112.19.8, la norme pour les raccords d'aspiration à utiliser dans les applications de piscine, de pataugeoire, de spa et de cuve thermique, ou à la norme qui lui succède, ANSI/APSP-16.

Raccords — Les raccords limitent le débit, pour une plus grande efficacité, utiliser le moins de raccords possibles (mais au moins deux (2) bouches d'aspiration).

Éviter les raccords qui pourraient causer le piégeage d'air.

Les raccords d'aspiration du nettoyeur à piscine doivent être conformes aux normes de l'Association Internationale de plomberie et des codes mécaniques (IAPMO).

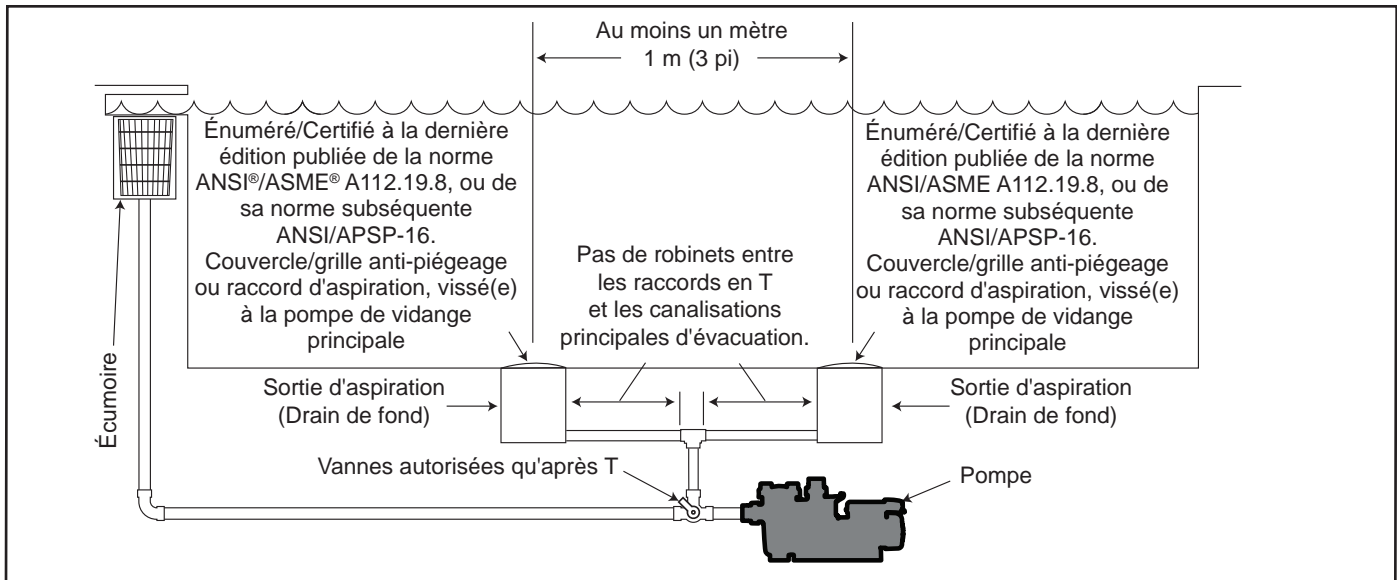


Figure 1. Nombre de sorties d'aspiration par pompe

Section 2. Description générale

2.1 Introduction

Le présent manuel contient des renseignements pour l'installation, le fonctionnement et la maintenance appropriés des pompes à vitesse variable de la série VS FloPro de Jandy Pro. Les procédures de ce manuel doivent être scrupuleusement suivies. Pour obtenir des copies supplémentaires de ce manuel, communiquer avec le service à la clientèle de Zodiac® au 1 800 822-7933. Pour les coordonnées, voir au verso du présent manuel.

2.2 Description

La pompe à vitesse variable VS Flo-Pro peut tourner de 600 tr/min à 3 450 tr/min. Lorsqu'elle est raccordée au régulateur JEP-R, jusqu'à huit (8) paramètres de vitesse pourront être programmés et rappelés. Cela permet de choisir la vitesse la plus adéquate pour votre application. Une programmation encore plus polyvalente est possible lorsque vous utilisez un régulateur AquaLink® RS, AquaLink PDA ou AquaLink Z4™.

La pompe est entraînée par un MCE à vitesse variable (moteur à commutation électronique), directement fixé au rotor de la pompe. Le moteur fait tourner la turbine qui entraîne l'eau à travers la pompe. Au fur et à mesure que la vitesse du moteur varie, le débit de la pompe varie également. Le débit réglable permet l'optimisation du débit au cours des exigences du cycle variable de la pompe. En conséquence, le rendement énergétique de la pompe est maximisé, ce qui se traduit par des économies pour le propriétaire de la piscine tout en contribuant à préserver l'environnement.

Section 3. Renseignements sur l'installation

3.1 Plomberie

Information sur la préparation

1. Dès réception de la pompe, vérifier que la boîte d'expédition n'est pas endommagée. Ouvrir la boîte et vérifier que la pompe ne cache aucun dommage comme des fissures, des bosses et que la base n'a pas été pliée. S'il y a des dommages, communiquer avec l'expéditeur ou le concessionnaire chez qui la pompe a été achetée.
2. Inspecter le contenu du carton et vérifier que toutes les pièces y soient, voir la Section 7.1, Liste des pièces de rechange et vue éclatée.

Emplacement de la pompe

⚠ WARNING

Pour réduire le risque d'incendie, poser l'équipement de piscine dans un endroit où des feuilles ou des débris ne s'accumuleront pas. Laisser la zone environnante libre de débris, comme des papiers, des feuilles, des aiguilles de pins et d'autres matériaux combustibles.

1. Zodiac Pool Systems LLC recommande d'installer la pompe à un (1) pied (30 cm) au-dessus du niveau d'eau. La pompe ne devrait pas être surélevée de plus d'un mètre cinquante (5 pi) au-dessus de la surface de l'eau de la piscine.

REMARQUE La pompe est homologuée par la fondation nationale des sciences (NSF), pouvant s'amorcer à des hauteurs jusqu'à 10 m au-dessus du niveau de l'eau de la piscine, au niveau de la mer. Cependant, un meilleur amorçage automatique sera réalisé si la pompe est installée aussi près que possible du niveau d'eau de la piscine.

2. Si la pompe est située sous le niveau de l'eau, les clapets d'isolement doivent être installés à la fois dans les conduites d'aspiration et de retour afin d'empêcher le retour d'eau de la piscine pendant tout entretien requis ou de routine.

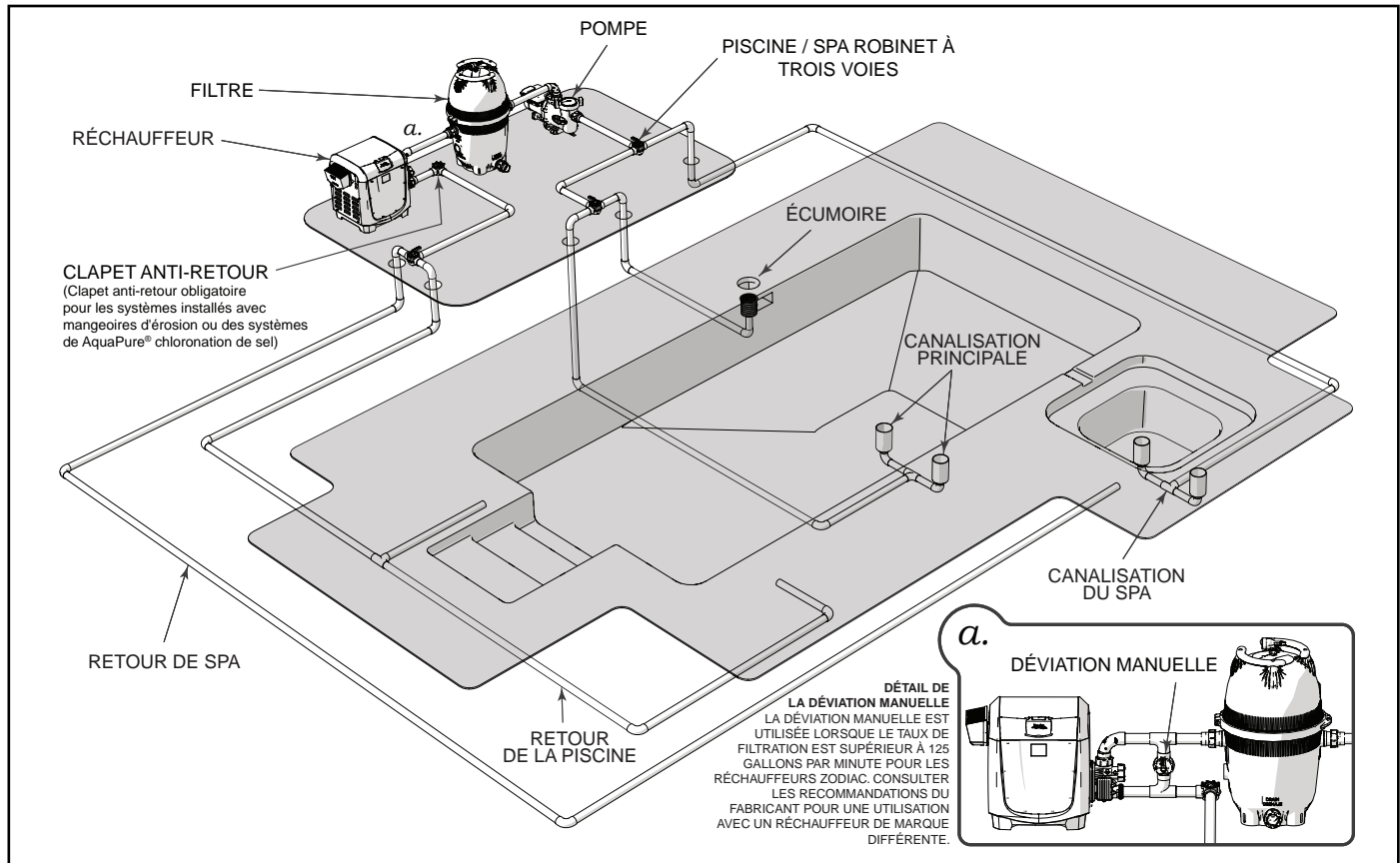


Figure 2. Installation typique de la tuyauterie

⚠ WARNING

Un clapet antiretour peut interférer avec le bon fonctionnement de certains produits à mécanisme de déclenchement de l'aspiration à vide (SVRS). Afin d'éviter tout risque de piégeage, des blessures graves ou un décès, s'assurer de consulter le manuel d'entretien et d'emploi de votre produit SVRS précis avant d'installer le clapet antiretour.

REMARQUE Lorsque l'équipement de la piscine se trouve au-dessous de la surface de la piscine, une fuite peut entraîner une perte d'eau importante ou une inondation. Zodiac Pool Systems LLC ne peut pas être tenu responsable d'une perte d'eau ou d'une inondation ou d'un dommage occasionné par l'un de ces accidents.

- La pompe doit être installée de sorte que tout(e) dispositif de débranchement ou boîte de raccordement électrique soit visible depuis la pompe, mais situé(e) horizontalement à au moins 1,5 mètre (5 pi) du bord de la piscine ou du spa. Choisir un emplacement qui réduira les coudes dans la tuyauterie.

REMARQUE Au Canada, le Code canadien de l'électricité (CCE, CSA C22.1) exige une distance minimale de 3 m (10 pi) du bord de la piscine ou du spa.

- La pompe doit être placée sur une base solide qui ne vibrera pas. Pour réduire davantage la possibilité de bruit de vibration, verrouiller la pompe à la base ou la placer sur un tapis de caoutchouc.

REMARQUE Zodiac Pool Systems LLC recommande de verrouiller la pompe directement à la base.

- La fondation de la pompe doit avoir un drainage adéquat pour empêcher de mouiller le moteur. Protéger la pompe de la pluie et du soleil.
- Une ventilation adéquate est requise pour que la pompe fonctionne normalement. Tous les moteurs dégagent de la chaleur, laquelle doit être évacuée à l'aide d'une bonne ventilation.
- Prévoir un accès pour entretien futur en laissant une zone dégagée autour de la pompe. Laisser beaucoup d'espace au-dessus de la pompe pour pouvoir ôter le couvercle et le panier-filtre lors du nettoyage.
- Si l'équipement est dans une zone potentiellement sombre, prévoir un éclairage adéquat.

Dimensions des tuyaux

Pour de l'aide avec le tuyau d'aspiration et de refoulement dimensionnement, s'il vous plaît voir le Tableau 1.

Recommandations pour l'installation

- Pour aider à prévenir les difficultés au moment de l'amorçage, installer la canalisation d'aspiration sans point haut (dessus de l'admission de la pompe - « U » inversés, communément nommés « poches d'air » en plomberie) qui piègent l'air. Pour l'installation de l'équipement jusqu'à 100 pieds (30 m) de l'eau, se référer au Tableau 1, le graphique des dimensions de la canalisation. Pour l'installation de l'équipement de plus de 100 pieds (30 m) de l'eau, les dimensions de canalisation recommandées doivent être des dimensions suivantes.
- Les pompes VS FloPro sont munies de raccords aux deux orifices d'aspiration et de refoulement. Cette fonctionnalité simplifie l'installation et l'entretien et élimine la possibilité de fuite dans les adaptateurs filetés.

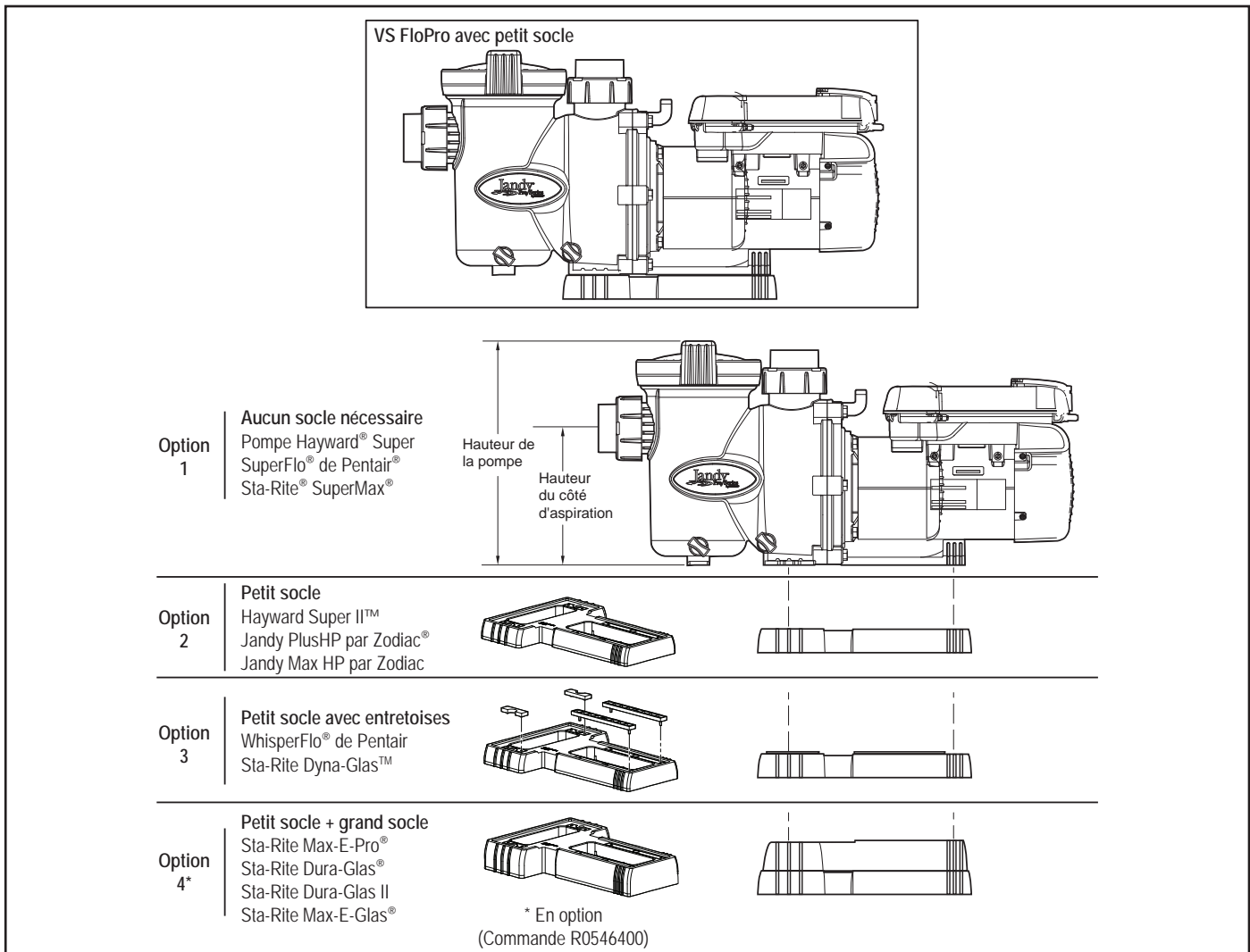


Figure 3. Options pour le socle et la pompe VS FloPro

Tableau 1. Tableau des dimensions de canalisation pour l'annexe 40 en PVC

Dimensions de la canalisation	Débit maximal d'aspiration (2,4 mètres (6 pi) par seconde)	Débit de refoulement maximal (2,4 mètres (8 pi) par seconde)
1 ½ po (38 mm)	37 gal/min (140 L/min)	50 gal/min (189 L/min)
2 po (51 mm)	62 gal/min (235 L/min)	85 gal/min (322 L/min)
2 ½ po (64 mm)	88 gal/min (333 L/min)	120 gal/min (454 L/min)
3 po (76 mm)	136 gal/min (515 L/min)	184 gal/min (697 L/min)
4 po (102 mm)	234 gpm (886 L/min)	313 gpm (1 185 L/min)

3. La pompe VS FloPro doit être raccordée à au moins deux (2) drains principaux hydrauliquement équilibrés pour chaque conduite d'aspiration de la pompe de piscine. Chaque drain (sortie d'aspiration) doit être fourni avec des couvercles énumérés ou certifiés par la dernière version publiée de la norme ANSI®/ASME® A112.19.8 ou de la norme subséquente, ANSI/APSP-16. Les raccords d'aspiration des drains principaux doivent être éloignés d'au moins un (1) mètre ou trois (3) pieds ou situés sur des niveaux différents. Les raccords d'aspiration peuvent être constitués d'une canalisation d'évacuation et une écumoire, de deux (2) canalisations d'évacuation, de deux (2) écumoires ou d'une écumoire avec une ligne égalisatrice installée. Vérifier les codes locaux pour une bonne installation.

REMARQUE Pour éviter le piégeage, le circuit doit être construit de façon à ne pas fonctionner avec la pompe tirant l'eau d'un (1) seul drain principal. Au moins deux (2) canalisations principales d'évacuation doivent être connectées à la pompe pendant son fonctionnement. Cependant, si deux (2) drains de fond aboutissent à une seule conduite d'aspiration, cette dernière peut être équipée d'un robinet qui coupera les deux drains de fond de la pompe.

4. La canalisation doit être bien soutenue et ne pas forcer là où elle exerce une pression constante.

- Utiliser toujours des robinets bien calibrés. Les inverseurs et les clapets à bille Jandy® ont une meilleure capacité d'écoulement.
- Utilisez le moins possible de raccords en particulier 90 des coudes dégradés. Chaque raccord supplémentaire ou longueur de tuyau augmente la résistance à l'écoulement qui rend le travail de pompe plus difficile.

REMARQUE Si plus de dix (10) raccords d'aspiration sont nécessaires, les dimensions de la canalisation doivent être augmentées.

- Chaque nouvelle installation doit subir un essai de pression conformément aux codes locaux. .

Remplacement de la pompe existante

Les pompes de la série VS FloPro de Jandy Pro peuvent facilement remplacer plusieurs autres pompes : la Hayward® Super Pump®, la Hayward Super II™, la SuperFlo® de Pentair®, la WhisperFlo® de Pentair, la série Jandy Pro, la PlusHP (PHP), la série MaxHP (MHP) de Jandy Pro, la Sta-Rite® Dura-Glas, la Sta-Rite Dura-Glas II, la Sta-Rite Dyna-Glas™, la Sta-Rite Max-E-Glas®, la Sta-Rite Max-E-Pro® et la Sta-Rite SuperMax®.

Pour remplacer la pompe WhisperFlo de Pentair, la série PHP de Jandy Pro ou la série MHP de Jandy Pro, utiliser le socle ajustable de la VS FloPro. Le socle FHP (et ses entretoises) augmente la hauteur totale de la pompe et la hauteur du côté aspiration de la pompe. Voir le Tableau 2 et la Figure 3.

NOTE Modèles FloPro VS-FHP1.0, VSFHP165JEP, VS-FHP2.0 et VSFHP270JEP sont vendus avec une base réglable. Si une base réglable est nécessaire pour les modèles VSFHP270AUT ou VSFHP165AUT ensuite examiner l'article 18 du chapitre 7.1 "Liste et vue éclatée des pièces de rechange"

Tableau 2. Dimensions de la VS FloPro

Configuration de la base	Hauteur du côté d'aspiration	Hauteur de la pompe
1. Pompe sans socle	7 ¾ po (197 mm)	12 ¾ po (327 mm)
2. Pompe avec socle	9 po (229 mm)	14 po (356 mm)
3. Pompe avec socle et entretoises	9 ¼ po (235 mm)	14 ¼ po (362 mm)
4. Pompe avec petit + grand socle	10 7/8 po (276 mm)	15 7/8 po (403 mm)

Installer les entretoises dans le petit socle

- À l'aide d'un outil de coupe à main, couper les barrettes en plastique qui relient les entretoises du haut et du bas, tel qu'illustré dans la figure 4.
- Retirer les deux (2) entretoises du haut et les deux (2) entretoises du bas de la base.
- Aligner les broches des quatre (4) entretoises avec les trous de la base et emboîter les entretoises en place, tel qu'illustré dans la figure 5.

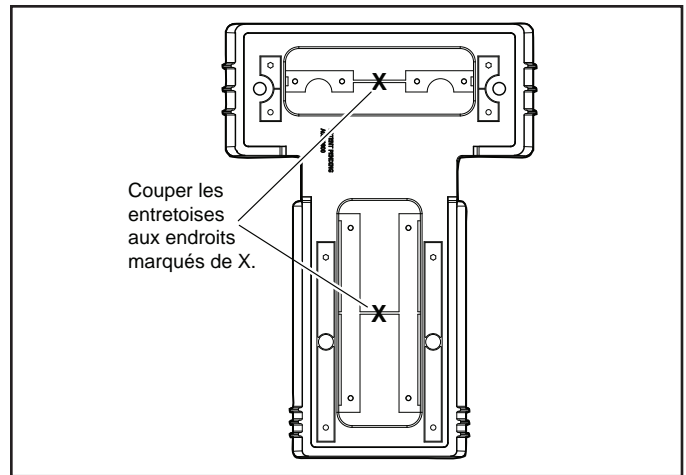


Figure 4. Découper les entretoises de la base

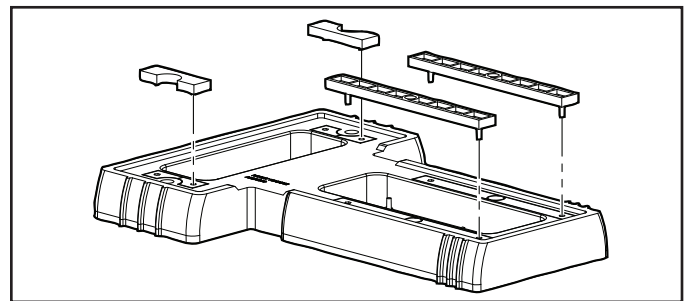


Figure 5. Emboîter les entretoises en place

3.2 Installation électrique

Vérifications de la tension

La tension appropriée, tel qu'il est spécifié sur la plaque signalétique de la pompe, est nécessaire pour une bonne performance et une longue durée de vie du moteur. Une tension inappropriée diminuera le rendement de la pompe et pourrait causer une surchauffe, réduire la durée de vie du moteur et entraîner une augmentation de la facture d'électricité.

Il est de la responsabilité de l'installateur de fournir la tension fonctionnelle de la pompe figurant sur la plaque d'identification en s'assurant que les bonnes dimensions de circuit et de câble soient utilisées pour cet usage spécifique.

Le Code national de l'électricité (NEC®, NFPA-70) exige que tous les circuits de la pompe d'une piscine soient protégés par un disjoncteur de fuite à la terre (DFT). Par conséquent, il est également de la responsabilité de l'installateur électrique de s'assurer que le circuit de la pompe soit conforme aux présentes exigences et à toute autre exigence applicable du Code national de l'électricité (NEC) et à tout autre code d'installation applicable.

⚠ MISE EN GARDE

L'omission de fournir la tension (à 10 % près) figurant sur la plaque d'identification au cours du fonctionnement causera la surchauffe du moteur et annulera la garantie.

Tableau 3. Dimensions de fil recommandées pour les pompes VS FloPro

DIMENSIONS DE FIL MINIMALES RECOMMANDÉES POUR LES POMPES FLOPRO*		
Distance du sous-panneau		0-150 pieds (0-45 mètres)
Modèle	Inverser - ampérage des disjoncteurs à sélectivité chronométrique ou l'AMPÉRAGE des fusibles de dérivation Classe : CC, G, H, J, K, RK ou T 230 Vca	Calibre de fil TENSION 230 Vca
VS-FHP1.0, VSFHP165AUT, VSFHP165JEP	15 A	12
VS-FHP2.0, VSFHP270AUT, VSFHP270JEP	20 A	10

*Suppose trois (3) conducteurs en cuivre dans un conduit enterré et une perte maximale de tension de 3 % dans le circuit branché. Tous les codes nationaux d'électricité® (NEC®) ou le Code canadien de l'électricité (CCE) et les codes locaux doivent être respectés. Le tableau indique les dimensions minimales des fils et les recommandations relativement aux fusibles de dérivation pour une installation standard.

Métallisation et mise à la masse

- En plus d'une mise à la masse appropriée, tel qu'il est décrit à la Section Câblage électrique, et en conformité avec les exigences du Code national de l'électricité (NEC) ou au Canada, du Code canadien de l'électricité (CCE), le moteur de la pompe doit être relié à toutes les pièces métalliques de la structure de la piscine, du spa ou du bain tourbillon et à tous les composants et équipements électriques associés au circuit de circulation d'eau de la piscine ou du spa.
- La métallisation doit être effectuée à l'aide d'un conducteur en cuivre massif de calibre 8 AWG ou plus élevé. Au Canada, un fil de calibre 6 AWG ou plus doit être utilisé. Métalliser le moteur à l'aide de la cosse de mise à la masse externe prévue sur l'armature du moteur.

⚠ AVERTISSEMENT

Débrancher toujours la source d'alimentation avant de travailler sur un moteur ou sur sa charge branchée.

⚠ AVERTISSEMENT

S'assurer que le commutateur de commande, l'horodateur ou le système de contrôle est installé dans un endroit accessible, de manière à ce que dans le cas d'une panne d'équipement ou de raccord de plomberie desserré, le matériel puisse être désactivé. Cet endroit ne doit pas être dans la même zone que la pompe de piscine, le filtre et autre équipement.

⚠ MISE EN GARDE

Cette pompe doit être connectée en permanence à un circuit électrique dédié. Aucun autre équipement, lumière, appareil ou prise de courant ne peut être connecté au circuit de la pompe à l'exception des dispositifs qui peuvent devoir fonctionner en même temps que la pompe tel qu'un chlorateur ou un appareil de chauffage.

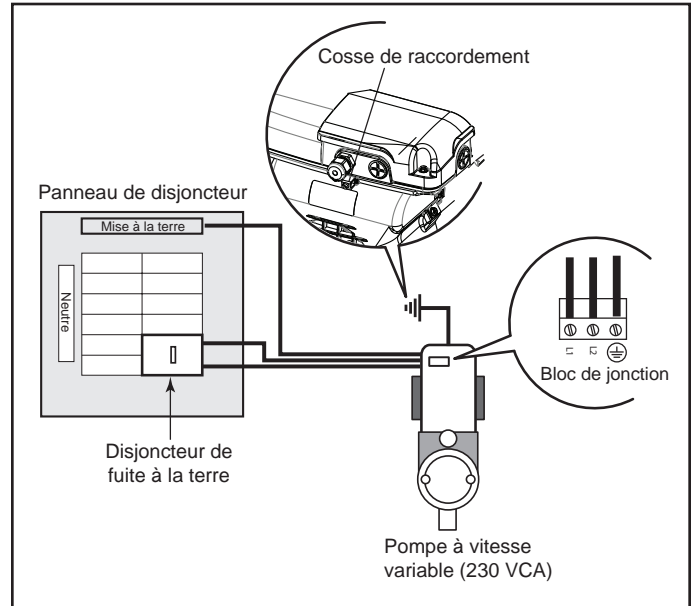


Figure 6. Raccordement du moteur

Câblage électrique

- Le moteur de la pompe doit être mis à la terre de manière sécurisée et adéquate en utilisant le tournevis vert fourni. Mettre à la terre avant d'essayer de connecter à une source d'alimentation électrique. Ne pas mettre à la terre à un tuyau d'alimentation en gaz.
- La dimension du câble doit être appropriée afin de réduire la chute de tension pendant le démarrage et le fonctionnement de la pompe. Voir le tableau 3 pour des tailles suggérées de câbles.
- Isoler soigneusement toutes les connexions afin d'empêcher la mise à la terre ou un court-circuit. Les extrémités tranchantes des bornes nécessitent une protection supplémentaire. Pour des raisons de sécurité et pour empêcher la pénétration de contaminants, replacer tous les couvercles de boîtes de dérivation et de connexions. Ne pas forcer les connexions à la boîte de dérivation.

REMARQUE Lorsque le pouvoir seul est fourni à cette pompe, il ne fonctionnera pas. Il nécessite une commande numérique qui lui est envoyé par un régulateur à vitesse variable (JEP-R), un régulateur AquaLink® RS, un module numérique de piscine AquaLink (PDA) ou un régulateur AquaLink Z4™, pour fonctionner à une vitesse choisie.

Options du régulateur de la pompe VS FloPro

La pompe VS FloPro peut être actionnée par l'un (1) de ces quatre (4) régulateurs : le régulateur à vitesse variable JEP-R, le régulateur AquaLink® RS (Rév O ou version ultérieure), le régulateur AquaLink PDA (Rév 4.0 ou version ultérieure) ou le régulateur AquaLink Z4™. La pompe à vitesse variable VS FloPro communique avec les régulateurs au moyen d'une interface RS-485 à quatre fils.

Options pour l'installation du régulateur de la pompe VS-FHP1.0

Les pompes VS-FHP2.0, VSFHP270JEP, VS-FHP1.0 et VSFHP165JEP sont pré-configurées avec variateur de vitesse JEP-R installés et pré-configurés avec le commutateur DIP pour fonctionner avec ce contrôleur. Les pompes VSFHP165AUT et VSFHP270AUT sont pré-configurés pour le système RS AquaLink, AquaLink PDA ou AquaLink Z4

Pour installer le régulateur AquaLink RS (Rév. O ou ultérieure), AquaLink PDA (Rév 4.0 ou ultérieure) ou AquaLink Z4 :

1. Couper l'alimentation de la pompe en débranchant les lignes haute tension ou en désactiver un disjoncteur auquel l'alimentation de la pompe VS FloPro est raccordée.

⚠ AVERTISSEMENT

DANGER DE CHOC ÉLECTRIQUE

Désactiver tous les interrupteurs et le disjoncteur principal dans le circuit électrique de la pompe à vitesse variable avant de commencer la procédure. Le fait de ne pas se conformer aux recommandations risque de causer des chocs électriques pouvant résulter en des dommages corporels sévères ou même la mort.

2. Retirer la seule vis et le couvercle d'accès pour terminer les raccordements électriques du moteur.
3. Faire glisser les commutateurs DIP 1 et 2 vers le bas, à la position OFF (désactivés). Si cela s'applique à votre pompe modèle coulissant commutateur DIP 5 à la position ON. Voir la figure 7.
4. Sélectionner les adresses désirées pour la pompe en réglant les commutateurs DIP 3 et/ou 4, tel qu'il est indiqué à la Section 3.3, Réglages des commutateurs DIP de la pompe VS FloPro.
5. If short RS485 cable or JEP-R controller is pre installed
 - a. Débrancher le câble RS485 du collecteur à 4 broches sur l'entraînement de la pompe.

REMARQUE Ne pas couper le câble, car la capacité de retourner à la configuration par défaut établie en usine sera perdue.

- b. Raccorder le nouveau câble RS-485 du régulateur AquaLink par le biais du raccord de compression disponible et passer le câble à 4 conducteurs par l'orifice fileté de l'entraînement du moteur le plus proche du connecteur. Figure 7.
6. Raccorder l'autre extrémité du câble à un connecteur RS-485 sur le régulateur AquaLink RS (ou carte d'interface du multiplexeur), en faisant correspondre les couleurs de fil avec les positions du connecteur, comme suit : 1 rouge, 2 noir, 3 jaune et 4 vert. Voir la Figure 7.

7. Rétablir l'alimentation vers la pompe et vérifier le fonctionnement du régulateur.
8. Consulter le manuel approprié pour l'installation et le fonctionnement de la pompe : Manuel d'utilisation du AquaLink RS, 6593, Manuel d'utilisation du AquaLink PDA, H0572300, Manuel d'utilisation du AquaLink Z4™, H0386600.

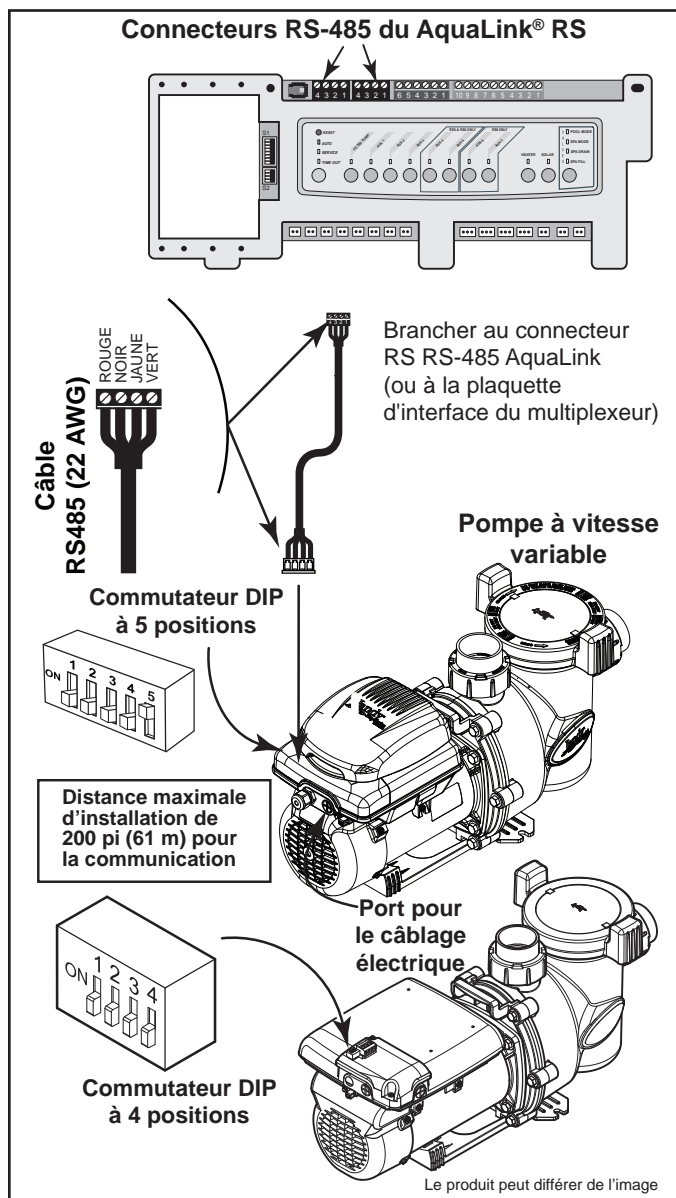


Figure 7. Câblage du régulateur AquaLink RS ou AquaLink PDA

Fixation à distance de la JEP-R

Le régulateur à vitesse variable peut être fixé à distance sur une surface verticale qui est protégée des éléments.

Suivre attentivement les consignes pour maintenir la capacité de réinstaller le régulateur à vitesse variable sur la pompe VS-FHP1.0. Inverser ces consignes pour terminer la réinstallation. Voir la Figure 8.

⚠ AVERTISSEMENT**DANGER DE CHOC ÉLECTRIQUE**

Désactiver tous les interrupteurs et le disjoncteur principal dans le circuit électrique de la pompe à vitesse variable avant de commencer la procédure. Le fait de ne pas se conformer aux recommandations risque de causer des chocs électriques pouvant résulter en des dommages corporels sévères ou même la mort.

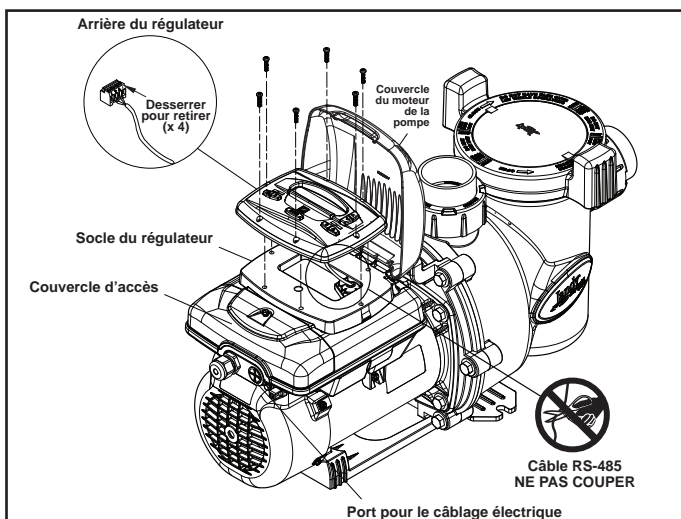


Figure 8. Débrancher le régulateur à vitesse variable (JEP-R) de la pompe.

⚠ AVERTISSEMENT

Au moment de déterminer le routage et la protection pour le câblage du régulateur à vitesse variable, s'assurer que le Code national de l'électricité® (NEC®) et toutes les exigences en matière de code local sont remplies. Les exigences du code NEC interdisent le routage des câbles d'interconnexion dans les conduits ou les chemins de câble qui sont utilisés pour les conducteurs de dérivation, d'alimentation ou de service. Le NEC fournit également des lignes directrices pour le routage des câbles d'interconnexion entre les bâtiments, visant à assurer une protection contre la foudre.

À la pompe :

1. Couper l'alimentation de la pompe en débranchant les lignes haute tension ou désactivation ou désactiver un disjoncteur auquel l'alimentation de la pompe est raccordée.
2. Soulever le couvercle du régulateur de ses charnières pour accéder au régulateur à vitesse variable.
3. Retirer les six (6) vis pour débrancher le régulateur à vitesse variable de son socle sur le moteur de la pompe.
4. Débrancher le câble RS-485 reliant l'interface utilisateur du régulateur à vitesse variable au socle du régulateur sur le moteur. Ne pas trop rallonger le câble au moment de surélever le régulateur loin du moteur.
5. Dévisser les quatre (4) bornes du connecteur et débrancher les fils de l'ensemble câble moteur.

Remarque : ne pas couper le câble, ou la capacité de retourner à la configuration par défaut établie en usine sera perdue.

6. Rassembler les fils lâches en un faisceau dans le vide du socle du régulateur. Ce fil sera utilisé pour la réinstallation du régulateur à vitesse variable sur la pompe.
7. Fixer le couvercle du vide et le joint à l'aide des six (6) vis au socle du régulateur à vitesse variable sur le moteur.
8. Retirer la seule vis (1) et le couvercle d'accès pour terminer les raccordements électriques du moteur.
9. Insérer l'extrémité libre du nouveau câble RS-485 par le raccord de compression disponible et passer le câble à 4 conducteurs par l'orifice fileté de l'entraînement du moteur, le plus proche du connecteur.
10. Préparer le câble et fixer un autre connecteur à 4 broches, en s'assurant que les couleurs des fils correspondent à la Figure 7.
11. Insérer le connecteur RS-485 sur le connecteur RS-485 correspondant sur la CCI du moteur.
12. Fixer le raccord compression avec écrou autour du câble pour fixer le moteur.
13. Vérifier que les réglages des commutateurs DIP correspondent à la Figure 7
14. Remettre le couvercle d'accès à l'aide de la vis retirée à l'Étape 8.

Suivre les consignes du manuel d'utilisation/installation de l'interface utilisateur du régulateur à vitesse variable (H0412200) afin de compléter la fixation à distance du régulateur.

Pour installer le régulateur à vitesse variable JEP-R :**IMPORTANT :**

L'installateur doit activer les interrupteurs 1 et 2 de la pompe VS-FHP2.0 lorsqu'elle est raccordée au régulateur à vitesse variable.

REMARQUE Le numéro de pièce du régulateur à vitesse variable est JEP-R.

1. Couper l'alimentation de la pompe VS-FHP2.0 en débranchant les lignes haute tension ou en ouvrant un disjoncteur auquel l'alimentation de la pompe VS-FHP2.0 est raccordée.

⚠ AVERTISSEMENT**DANGER DE CHOC ÉLECTRIQUE**

Désactiver tous les interrupteurs et le disjoncteur principal dans le circuit électrique de la pompe à vitesse variable avant de commencer la procédure. Le fait de ne pas se conformer aux recommandations risque de causer des chocs électriques pouvant résulter en des dommages corporels sévères ou même la mort.

2. Retirer le couvercle de la boîte de connexion de la pompe VS-FHP2.0 et alimenter le câble RS-485 dans le raccord.
3. Débrancher le connecteur RS-485 de la pompe VS-FHP2.0.
4. Attacher les quatre (4) fils dans le câble RS-485 au connecteur RS-485. Faire correspondre les couleurs de fil avec les positions sur le connecteur : 1 - rouge, 2 - noir, 3 - jaune et 4 - vert. Voir la Figure 9.

5. Insérer le connecteur RS-485 à l'arrière de la pompe VS-FHP2.0.
6. Pour la pompe VS-FHP2.0, faire glisser les commutateurs DIP 1 et 2 vers le haut, à la position ON (marche) et les commutateurs DIP 3 et 4 vers le bas, à la position OFF (arrêt). Voir la Figure 9.

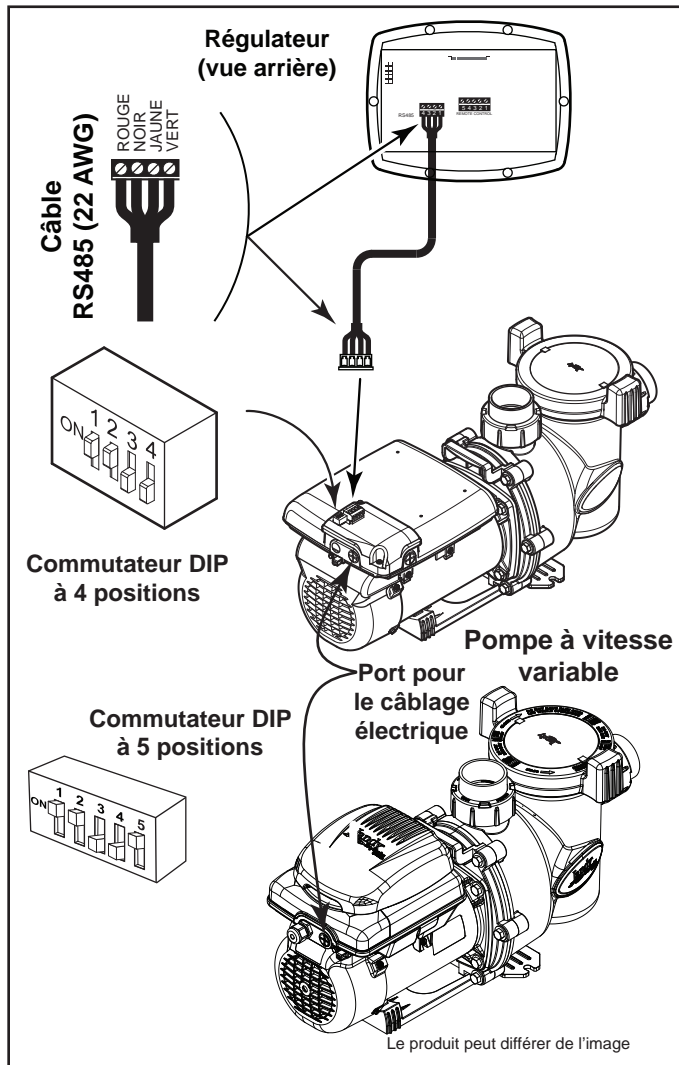


Figure 9. Câblage du régulateur à vitesse variable (JEP-R)

7. Raccorder l'autre extrémité du câble au régulateur. Faire correspondre les couleurs des fils avec les positions appropriées du connecteur comme suit : 1 - rouge, 2 - noir, 3 - jaune et 4 - vert.
8. Rétablir l'alimentation vers la pompe VS-FHP2.0 et vérifier le fonctionnement du régulateur.
9. Se référer au manuel d'utilisation du régulateur à vitesse variable, H0412200, pour faire fonctionner la pompe.

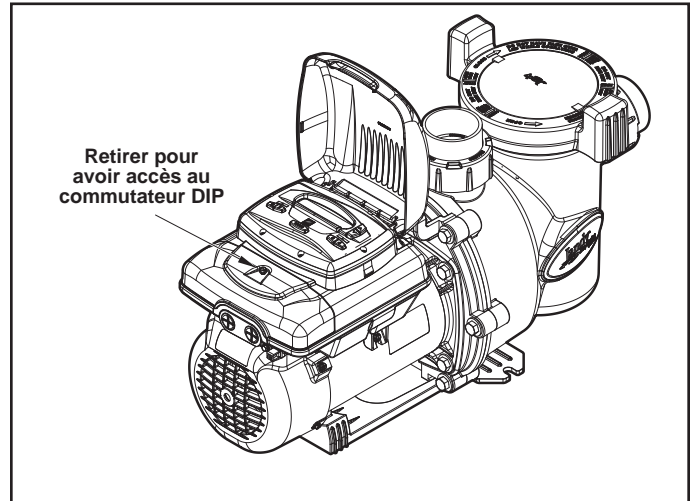


Figure 10. Couverture d'accès des commutateurs DIP du moteur de la pompe VS-FHP1.0 et VSFHP165JEP

3.3 Réglages des commutateurs DIP de la pompe VS FloPro

Le commutateur DIP quatre ou cinq est situé à l'arrière de la pompe VS-FloPro. Ce commutateur DIP remplit deux (2) fonctions : il choisit l'adresse de la pompe et détermine quel type de régulateur sera employé avec la pompe.

Tableau 4. Réglages des commutateurs DIP de la pompe VS-FHP1.0, VSFHP165AUT et VSFHP165JEP

Interrupteur 1	Interrupteur 2	Commutateur 5	Régulateur
ON (activé)	ON (activé)	ON (activé)	Valeurs d'usine par défaut
OFF (désactivé)	OFF (désactivé)	ON (activé)	AquaLink RS, AquaLink PDA ou AquaLink Z4™
ON (activé)	ON (activé)	ON (activé)	Régulateur à vitesse variable

Interrupteur 3	Interrupteur 4	Adresse pompe
OFF (désactivé)	OFF (désactivé)	POMPE 1 (réglage par défaut en usine)
ON (activé)	OFF (désactivé)	POMPE 2
OFF (désactivé)	ON (activé)	POMPE 3
ON (activé)	ON (activé)	POMPE 4

Tableau 5. Réglages des commutateurs DIP de la pompe VS-FHP2.0, VSFHP270AUT et VSFHP270JEP

Interrupteur 1	Interrupteur 2	Régulateur
OFF (désactivé)	OFF (désactivé)	Valeurs d'usine par défaut
OFF (désactivé)	OFF (désactivé)	AquaLink RS, AquaLink PDA ou AquaLink Z4
ON (activé)	ON (activé)	Régulateur à vitesse variable
Interrupteur 3	Interrupteur 4	Adresse pompe
OFF (désactivé)	OFF (désactivé)	POMPE 1 (réglage par défaut en usine)
ON (activé)	OFF (désactivé)	POMPE 2
OFF (désactivé)	ON (activé)	POMPE 3
ON (activé)	ON (activé)	POMPE 4

3.4 Fonctionnement de la charge auxiliaire

Certains modèles de pompes sont équipés d'un barre de raccordement offre à l'utilisateur l'accès au contact de relais de la charge auxiliaire. Cette terminaison sèche et généralement ouverte est activée dans certaines conditions de fonctionnement et est principalement destinée à être utilisée pour commander des appareils externes qui exigent un débit d'eau dans le système avant de pouvoir fonctionner correctement, comme un chauffe-eau, une pompe d'appoint, un chlorateur à base de sel, etc.

Voir les figures 9 et 10 pour connaître l'emplacement du compartiment. Un couvercle d'accès retenu par une vis cruciforme doit d'abord être retiré.

Exigences en matière de raccordement de la charge auxiliaire

⚠ AVERTISSEMENT

DANGER DE CHOC ÉLECTRIQUE

En raison du risque potentiel d'incendie, de choc électrique ou de blessures, les pompes Zodiac® et tous les charges auxiliaires doivent être installées en conformité avec le Code national de l'électricité (NEC®), tous les codes locaux d'électricité et de sécurité et la Loi sur la santé et la sécurité au travail (OSHA). Des copies de la NEC peuvent être commandées auprès de l'Association nationale de protection, 470 Atlantic Ave., Boston, MA 02210, ou auprès de votre organisme local d'inspection gouvernemental.

Au Canada, les pompes Zodiac doivent être installées en conformité avec le Code canadien de l'électricité (CEC).

- Les fiches du circuit auxiliaire ont un courant nominal de 230 V/11 A (moy. quadratique). S'assurer que les exigences de l'appareil relié au circuit auxiliaire **ne dépassent pas ces valeurs**.

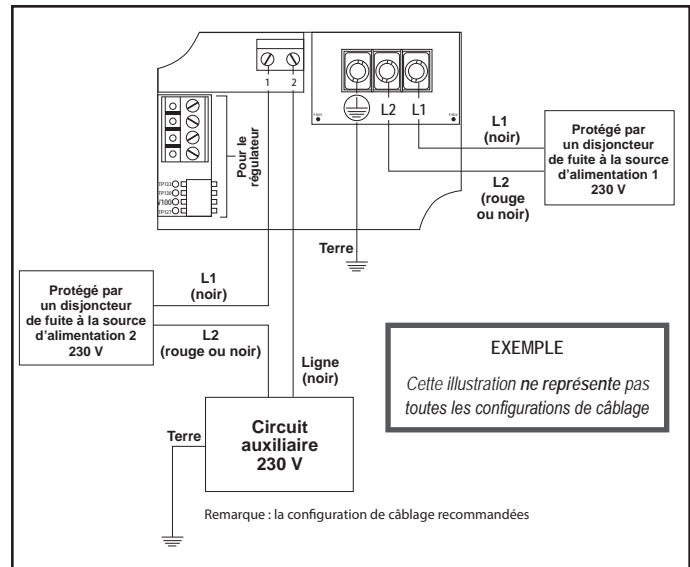


Figure 11. Schéma de câblage des sources d'alimentation distincte de 230 V, de la charge auxiliaire

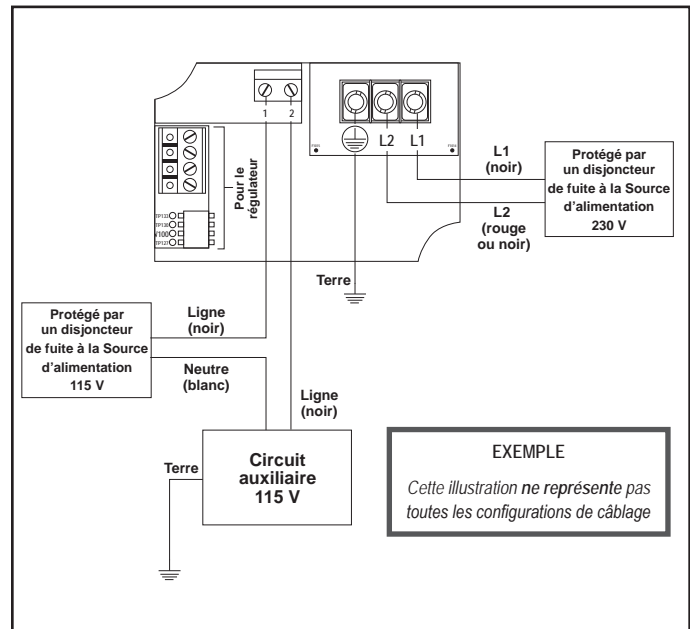


Figure 12. Schéma de câblage des sources d'alimentation partagées de 115 V, de la charge auxiliaire

Caractéristiques de fonctionnement de la charge auxiliaire

L'activation du contact de relais de la charge auxiliaire est en fonction de la vitesse et fonctionne ainsi :

Fermeture du circuit

Depuis un régime arrêté, il existe un délai de trois minutes avant que le contact de la charge auxiliaire soit fermé lorsque la vitesse du moteur atteint et maintient une vitesse d'au moins 1 725 tr/min.

Depuis le régime de moins de 1 725 tr/min, un délai de 5 secondes doit s'écouler avant que le circuit auxiliaire soit fermé une fois que le moteur aura atteint et maintient une vitesse d'au moins 1 725 tr/min.

Ouverture du circuit

Si la pompe a une vitesse inférieure à 1 725 tr/min, le contact de la charge auxiliaire sera fermé. L'ouverture du circuit est toujours immédiate.

3.5 Retrait du couvercle de la pompe

1. S'assurer que la pompe est arrêtée.
2. S'assurer que le commutateur au disjoncteur qui actionne le moteur de la pompe est arrêté.

⚠ AVERTISSEMENT

DANGER DE CHOC ÉLECTRIQUE

Désactiver tous les interrupteurs et le disjoncteur principal dans le circuit électrique de la pompe à vitesse variable avant de commencer la procédure. Le fait de ne pas se conformer aux recommandations risque de causer des chocs électriques pouvant résulter en des dommages corporels sévères ou même la mort.

⚠ AVERTISSEMENT

DANGER DE CHOC ÉLECTRIQUE

En raison du risque potentiel d'incendie, de choc électrique ou de blessures, les pompes Zodiac® doivent être installées en conformité avec le Code national de l'électricité (NEC®), tous les codes locaux d'électricité et de sécurité et la Loi sur la santé et la sécurité au travail (OSHA). Des copies de la NEC peuvent être commandées auprès de l'Association nationale de protection, 470 Atlantic Ave., Boston, MA 02210, ou auprès de votre organisme local d'inspection gouvernemental.

Au Canada, les pompes Zodiac doivent être installées en conformité avec le Code canadien de l'électricité (CEC).

3. S'assurer que tous les robinets d'isolement nécessaires sont fermés pour empêcher l'eau de la piscine d'atteindre la pompe.
4. En suivant les inscriptions sur l'anneau de fermeture, tourner l'anneau selon le sens antihoraire jusqu'à ce que le repère « START » s'aligne sur les ports. Voir les figures 13 et 14.
5. Enlever soigneusement le couvercle avec l'anneau de fermeture.

3.6 Conduite d'essai de pression

⚠ AVERTISSEMENT

Lors de l'essai de pression d'un système à l'eau, de l'air est souvent piégé dans le système pendant le processus de remplissage. Cet air se comprime quand le système est sous pression. Si le système s'avère défaillant, cet air piégé peut propulser des débris à haute vitesse et causer des blessures. Aucun effort ne doit être ménagé pour enlever l'air piégé, y compris l'ouverture du robinet de purge du filtre et le desserrage du couvercle du panier-filtre pendant le remplissage de la pompe.

⚠ AVERTISSEMENT

Le piégeage d'air dans le système peut provoquer une ouverture explosive du couvercle du filtre pouvant causer la mort, de graves blessures personnelles ou des dommages matériels. S'assurer que l'air est purgé de façon appropriée du système avant l'utilisation. **NE PAS UTILISER DE L'AIR COMPRIMÉ POUR FAIRE L'ESSAI DE PRESSION OU VÉRIFIER S'IL Y A DES FUITES.**

⚠ AVERTISSEMENT

DANGER DE CHOC ÉLECTRIQUE

Ne pas faire d'essai de pression au-delà de 240 kPa (35 psi). L'essai de pression doit être fait par un professionnel qualifié en piscine. L'équipement de circulation qui n'a pas fait l'objet d'essais de façon appropriée pourra défaillir, ce qui pourrait entraîner des blessures graves ou des dommages matériels.

⚠ AVERTISSEMENT

Au moment de l'essai sous pression d'un système à l'eau, il est très important de s'assurer que le couvercle du panier-filtre de la pompe est complètement fixé.

1. Remplir le système d'eau en faisant attention de bien expulser l'air emprisonné.
2. Pressuriser le système d'eau à 241 kPa (35 psi) au maximum.
3. Fermer le robinet pour emprisonner l'eau sous pression dans le système.
4. Observer le système pour la présence de fuites ou de chutes de pression.
5. Si le couvercle fuit, refaire cette procédure. Pour le soutien technique de Zodiac, appeler le +1 (800) 822-7933.

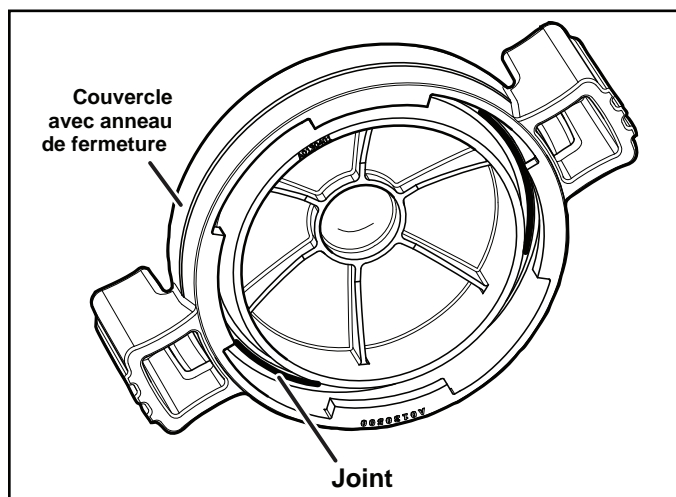


Figure 13. Joint torique dans l'ensemble couvercle

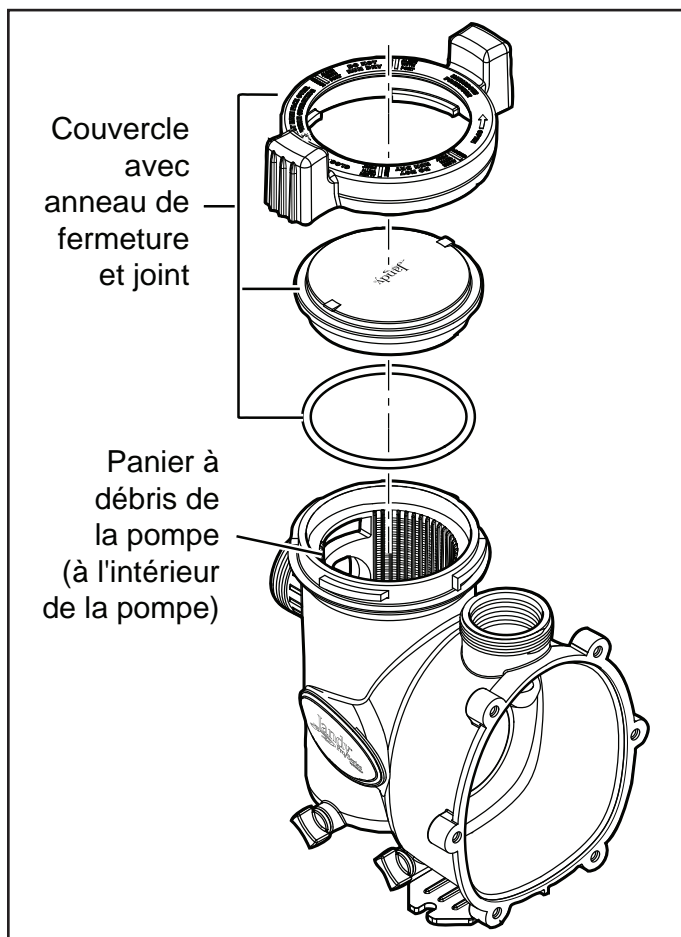


Figure 14. Vue éclatée de la pompe

Section 4. Fonctionnement

4.1 Démarrage

⚠ Mise en garde

Ne jamais faire fonctionner la pompe sans eau. Faire fonctionner la pompe « à sec », quelle que soit la durée, peut causer d'importants dommages à la pompe et au moteur et annuler la garantie.

S'il s'agit d'une nouvelle installation de piscine, s'assurer que toute la tuyauterie est dépourvue de débris de construction et que l'essai de pression a été effectué correctement. L'installation du filtre devrait être vérifiée, en s'assurant que toutes les connexions et les attaches sont sécurisées conformément aux recommandations du fabricant.

⚠ AVERTISSEMENT

Pour éviter tout risque de dommage matériel, de blessure grave ou de mort, vérifier que l'alimentation est hors tension avant de commencer cette procédure.

1. Selon l'emplacement de la pompe, effectuer l'une des procédures suivantes :
 - Si la pompe est située au-dessous du niveau d'eau de la piscine, ouvrir le clapet de décharge du filtre pour amorcer la pompe avec de l'eau.
 - Si la pompe est située au-dessus du niveau de l'eau de la piscine, retirer le couvercle et remplir le panier avec de l'eau avant de démarrer la pompe.
2. Avant de replacer le couvercle, vérifier qu'il n'y a pas de débris autour du joint torique d'étanchéité du couvercle. Les débris autour du joint torique du couvercle causeront une fuite d'air dans le système, et l'amorçage de la pompe se fera difficilement.
3. Serrer à la main le couvercle pour une fermeture hermétique. Ne pas utiliser d'outils pour serrer le couvercle : serrer à la main seulement. S'assurer que tous les robinets sont ouverts et que les raccords-unions sont étanches.
4. Rétablir l'alimentation vers la pompe. Pour démarrer la pompe, suivre les consignes du manuel approprié : Manuel d'utilisation du régulateur de la pompe à vitesse variable, H0412200, Manuel d'utilisation du régulateur AquaLink® RS, 6593, Manuel d'utilisation du AquaLink PDA, H0572300, ou Manuel d'utilisation du AquaLink Z4™, H0386600.
5. Une fois que tout l'air aura été purgé du filtre, fermer le clapet de décharge.
6. La pompe devrait s'amorcer. Le temps d'amorçage dépendra de l'élévation et de la longueur des tuyaux utilisés pour le tuyau d'alimentation par aspiration. Voir les conseils d'installation à la Section 3.1 pour une bonne élévation et une bonne taille de tuyau.

La vitesse d'amorçage par défaut est de 2 750 tr/min. La pompe prend environ de 14 à 15 minutes pour s'amorcer à cette vitesse lorsque la pompe est situé à 3 m (10 pieds) au-dessus de l'eau de la piscine. Si la vitesse d'amorçage est réglée sur 3 450 tr/min, la pompe devrait amorcer dans les 6 minutes à 3 m (10 pieds) au-dessus du niveau de l'eau.

REMARQUE La pompe est homologuée par la fondation nationale des sciences (NSF), pouvant s'amorcer à des hauteurs jusqu'à 10 m au-dessus du niveau de l'eau de la piscine, au niveau de la mer. Cependant, un meilleur amorçage automatique sera réalisé si la pompe est installée aussi près que possible du niveau d'eau de la piscine.

7. Si la pompe ne s'amorce pas, bien que toutes les instructions aient été suivies, vérifier s'il n'y a pas une fuite d'aspiration. S'il n'y a pas de fuite, répéter les étapes 2 à 7.
8. Pour une assistance technique, appeler le service technique de Zodiac® au +1 (800) 822-7933.

Section 5. Service et entretien

⚠ Mise en garde

Pour éviter d'endommager le plastique, n'utiliser aucun lubrifiant ou scellant sur le joint torique. Seule de l'eau savonneuse devrait être utilisée pour installer et lubrifier le joint torique.

5.1 Entretien de routine

Inspecter le panier de filtre de la pompe en regardant à travers son couvercle transparent. Enlever tous les débris parce qu'au fur et à mesure de leur accumulation, ils commenceront à bloquer l'écoulement de l'eau à travers la pompe. Maintenir le panier propre pour améliorer le fonctionnement de la pompe.

1. Couper l'alimentation électrique de la pompe. Si la pompe est située en dessous du niveau de l'eau, fermer les clapets d'isolement des côtés aspiration et refoulement de la pompe afin d'empêcher le reflux de l'eau.
2. Tourner l'anneau de fermeture du couvercle selon le sens antihoraire jusqu'à ce que le repère « START » s'aligne sur les ports. Enlever soigneusement le couvercle.

⚠ Mise en garde

Un panier-filtre mal aligné empêchera le bon placement du couvercle, permettant une fuite d'air qui pourrait endommager la pompe.

3. Soulever le panier-filtre hors de la pompe.
4. Retirer les débris et nettoyer soigneusement le panier-filtre, en s'assurant que tous les trous sont dégagés. À l'aide d'un tuyau d'arrosage de jardin, asperger le panier-filtre de l'extérieur pour aider au dégagement des trous. Retirer tout débris résiduel à la main.
5. Remettre le panier-filtre en place dans la pompe en alignant l'ouverture avec le tuyau d'aspiration. Si l'alignement est bien fait, le panier-filtre tombera facilement en place. **Ne pas forcer en place.**
6. Examiner la surface du couvercle de contact étanche tout résidu joint. Si l'on observe les débris, retirez-le avec un chiffon propre pour nettoyer délicatement la surface de contact.
7. Replacer le couvercle avec la bague de verrouillage. **Serrer le couvercle à la main pour une fermeture hermétique.** Ne pas utiliser d'outils pour serrer le couvercle : serrer à la main seulement.
8. Vérifier que tous les robinets ont été replacés à la position correcte pour l'utilisation normale.
9. Ouvrir le détendeur de pression sur le filtre et s'assurer qu'il est propre et prêt à fonctionner.
10. Rétablir l'alimentation électrique de la pompe. Dès que tout l'air est expulsé du filtre, fermer le détendeur de pression.

5.2 Hivernage de la pompe

⚠ Mise en garde

La pompe doit être protégée lorsque des températures glaciales sont prévues. Laisser la pompe geler l'endommagera gravement et annulera la garantie.

⚠ Mise en garde

Ne pas utiliser d'antigel dans les systèmes de piscine, de spa ou de jacuzzi! Les antigels sont hautement toxiques et peuvent endommager le système de circulation. La seule exception est le propylène glycol. Pour de l'information supplémentaire, se référer à votre fournisseur local de piscine ou de spa ou communiquer avec une société agréée en services de piscine.

1. Drainer toute l'eau de la pompe, de l'équipement du système et de la tuyauterie.
2. Retirer les deux (2) bouchons de vidange. Garder les bouchons de vidange en lieu sûr et les réinstaller quand la saison froide est passée. **S'assurer que les joints toriques des bouchons de vidange ne sont pas mal alignés.**
3. Garder le moteur sec et couvert. Ne pas recouvrir la pompe avec du plastique, parce que cela peut entraîner de la condensation qui l'endommagera.

REMARQUE Zodiac Pool Systems LLC recommande qu'un technicien qualifié ou un électricien déconnecte de façon appropriée le câblage électrique de la boîte de commutation ou de jonction. Dès que l'alimentation est coupée, desserrer les deux (2) raccords-unions et ranger la pompe à l'intérieur. Pour des raisons de sécurité et pour empêcher la pénétration de contaminants, replacer tous les couvercles de boîtes de dérivations et de connexions.

4. Lorsque le système est rouvert pour le fonctionnement, un technicien qualifié ou un électricien doit s'assurer que toutes les canalisations, les robinets, le câblage et l'équipement sont conformes aux recommandations du fabricant. Faire particulièrement attention au filtre et aux connexions électriques.
5. La pompe doit être amorcée avant le démarrage. Se référer à la section 4.1, Démarrage.

Section 6. Dépannage et réparation

Zodiac® recommande fortement d'appeler un technicien de service agréé pour effectuer toute réparation sur le système de filtre/pompe. Pour trouver un technicien qualifié, consulter les pages jaunes locales ou visiter le site Web www.zodiacpoolsystems.com ou Web www.frzodiacpoolsystems.ca et cliquer sur « Trouver un concessionnaire ».

Symptôme	Cause/Solution possible
Le système de circulation ou de nettoyage ne fonctionne pas bien.	<p>Vérifier que les paniers d'écumoirs, les paniers-filtres et autres tamis sont propres. Nettoyer au besoin.</p> <p>Vérifier le filtre et nettoyer au besoin.</p> <p>Vérifier les positions des robinets. Ajuster au besoin.</p> <p>REMARQUE De multiples pièces d'équipement fonctionnant en même temps (par exemple, les cascades, les jets de spa et les retours de surface) auront une incidence sur le fonctionnement approprié du système de nettoyage.</p> <p>Vérifier le manuel de nettoyage du système pour s'assurer que le système est réglé conformément aux recommandations du fabricant.</p>
Bulles présentes dans le panier de la pompe.	<p>Il y a de l'air est dans le système. Vérifiez le niveau d'eau dans la piscine ou du spa de s'assurer que vous êtes au bon niveau et que l'air ne soit pas aspiré dans le tuyau d'aspiration. Arrêter la pompe si l'eau est au niveau normal. Tournez la bague de verrouillage dans le sens horaire jusqu'à ce que le couvercle "START" est aligné avec les ports. Retirez le bouchon et faire une inspection visuelle pour le joint du couvercle de fissures ou de trous dans la surface de caoutchouc. Utilisez un chiffon propre pour nettoyer la surface En cas de dommage (note: peut montrer matériau de tissu noir qui a laissé le joint du couvercle) ne sont pas respectées. Utilisez un nouveau chiffon pour nettoyer la surface du boîtier de contact. En utilisant une très petite quantité de lubrifiant silicone (pas de vaseline) aidera à faire une bonne étanchéité et de protéger le joint du couvercle. Alignez 'START' avec les ports et tournez la bague de verrouillage dans le sens horaire jusqu'à ce que «LOCKED» est alignée avec les ports. Serrez à la main le couvercle pour faire un joint étanche à l'air. Ne pas utiliser d'outils pour serrer le couvercle. Tournez à nouveau la pompe. Si le problème persiste, vous devrez peut-être remplacer le joint du bouchon.</p>
Les fuites d'air sont encore présentes.	<p>Vérifier le raccord-union du côté de la tuyauterie d'aspiration. Pendant que la pompe fonctionne, essayer de serrer le raccord-union. Si cela n'arrête pas la fuite d'air, couper l'alimentation de la pompe. Desserrer les deux raccords-unions et glisser la pompe pour l'éloigner de son emplacement. Retirer, nettoyer et reposer les deux joints toriques de raccord.</p> <p>Repositionner la pompe près de la tuyauterie et fixer solidement les boulons de raccord-union à la pompe. À l'aide de raccords-unions et de joints toriques propres, le serrage des raccords-unions devrait sceller le tout. Si les raccords-unions ne scellent pas, serrer délicatement avec une grande paire de pince multiprise.</p> <p>Ne serrer pas plus qu'il ne faut.</p>
Il n'y a pas d'air dans le système, mais la pression est encore faible.	<p>Il est possible que des débris soient coincés dans la turbine de la pompe. La turbine de la pompe déplace l'eau, et les pales de la turbine peuvent être bloquées par des débris. Voir la Section 6.1, Service et maintenance et rotor bloqué, dans le présent manuel pour des renseignements supplémentaires.</p>
Il n'y a pas de débris bloquant la turbine et la pression est toujours faible.	<p>La turbine de la pompe et le diffuseur présentent des signes d'usure normale. Faire vérifier et remplacer au besoin la turbine et le diffuseur par un technicien d'entretien agréé.</p> <p>Si la pompe fait partie d'une installation relativement nouvelle, cela pourrait être un problème électrique. Communiquer avec un technicien en entretien et en réparation agréé. Faire vérifier par un technicien que des connexions électriques ne soient pas lâches et qu'il examine la tension du moteur de la pompe en fonctionnement. La tension doit être celle indiquée sur la plaque d'identification du moteur, à 10 % près. Si la tension n'est pas à 10 % près, communiquer avec un électricien agréé ou le fournisseur local en électricité.</p> <p>Le joint d'étanchéité de la pompe a une fuite d'air. Faire remplacer le joint d'étanchéité par un technicien en entretien et en réparation agréé.</p>
La pompe a une fuite d'eau entre le moteur et le corps de la pompe.	<p>Elle est causée par une garniture mécanique endommagée ou défectueuse. Remplacer la garniture mécanique.</p>

Symptôme	Cause/Solution possible
La pompe s'échauffe et s'éteint périodiquement.	S'assurer qu'il y a suffisamment de place autour du moteur pour faire circuler l'air et garder le moteur froid. Faire vérifier par un technicien agréé que des connexions ne soient pas lâches et qu'il examine la tension du moteur de la pompe en fonctionnement. La tension doit être celle indiquée sur la plaque d'identification du moteur, à 10 % près. Si la tension n'est pas à 10 % près, communiquer avec un électricien agréé ou le fournisseur local en électricité.
La pompe ne démarrera pas.	Aucun courant à la pompe. S'assurer que la pompe est correctement reliée à la tension. Voir la Section 3.2, Installation électrique, dans ce manuel.
	Câblage de base tension erroné. Vérifier le câblage de basse tension entre la pompe et le régulateur. Effectuer les corrections si nécessaire. Voir la Section 3.2, Installation électrique, dans ce manuel.
	La configuration d'adresse de la pompe est inexacte. S'assurer que les commutateurs DIP 3 et 4 de la pompe sont réglés de façon appropriée pour l'installation. Les deux devraient être désactivés pour utilisation avec un régulateur à vitesse variable ou réglés sur l'adresse appropriée lorsqu'ils sont raccordés à un régulateur AquaLink® RS, AquaLink PDA ou AquaLink Z4™. Voir la Section 3.3, Réglages des commutateurs DIP de la pompe VS-FHP, dans le présent manuel. Remarque : la pompe VS-FHP1.0 et VSFHP165JEP devrait toujours avoir le commutateur DIP 5 réglé sur ON (activé) pour les deux régulateurs.
	La condition de panne existe. Regarder le message de défaut sur le régulateur et corriger le défaut avant de continuer. En cas d'incertitude quant à la marche à suivre pour le dépannage, appeler le soutien technique de Zodiac® au +1 (800) 822-7933.
L'ECL du régulateur à vitesse variable n'affiche aucune information OU les DEL de la pompe ne sont pas éclairés.	Configuration incorrecte du commutateur DIP. S'assurer que les commutateurs DIP 1 et 2 de la pompe sont tous les deux à la position ON (activés) s'il s'agit d'un régulateur JEP-R, et à la position OFF (désactivés) s'il s'agit d'un régulateur AquaLink PDA, AquaLink RS ou AquaLink Z4. Voir la Section 3.3, Réglages des commutateurs DIP de la pompe VS-FHP, dans le présent manuel. Remarque : la pompe VS-FHP1.0 et VSFHP165JEP devrait toujours avoir le commutateur DIP 5 réglé sur ON (activé) pour les deux régulateurs.
	Câblage de base tension erroné. Vérifier le câblage de basse tension entre la pompe et le régulateur. Effectuer les corrections si nécessaire. Voir la Section 3.2, Installation électrique, dans ce manuel.
Le régulateur affiche « Pump not connected » (pompe non raccordée).	Câblage de base tension erroné. Vérifier le câblage de basse tension entre la pompe et le régulateur. Effectuer les corrections si nécessaire. Voir la Section 3.2, Installation électrique, dans ce manuel.
	La configuration d'adresse de la pompe est inexacte. S'assurer que les commutateurs DIP 3 et 4 de la pompe sont réglés de façon appropriée pour l'installation. Les deux devraient être à la position OFF (désactivés) pour utilisation avec un régulateur à vitesse variable ou réglés sur l'adresse appropriée lorsqu'ils sont raccordés à un régulateur AquaLink® RS, AquaLink PDA ou AquaLink Z4. Voir la Section 3.3, Réglages des commutateurs DIP de la pompe VS-FHP, dans le présent manuel. Remarque : la pompe VS-FHP 1.0 devrait toujours avoir le commutateur DIP 5 réglé à la position ON (activé) pour les deux régulateurs.

Symptôme	Cause/Solution possible
Le message de défaut apparaît sur l'affichage du régulateur.	La condition de panne existe. Regarder le message de défaut sur le régulateur et corriger le défaut avant de continuer. En cas d'incertitude quant à la marche à suivre pour le dépannage, appeler le soutien technique de Zodiac au +1 (800) 822-7933.

6.1 Entretien par un technicien de service

Mise en garde

Cette pompe doit être réparée par un technicien professionnel qualifié dans l'installation de piscine/spa. Les procédures suivantes doivent être scrupuleusement suivies. Une installation ou utilisation incorrecte peut causer de dangereux risques électriques pouvant provoquer le passage de courants haute tension dans le système électrique. Cela peut causer des dommages matériels, des blessures graves ou la mort. Une installation ou une utilisation inappropriée annuleront la garantie.

Turbine bloquée

AVERTISSEMENT

Avant de réaliser l'entretien de la pompe, couper les disjoncteurs au niveau de l'alimentation. Une blessure grave ou la mort peut survenir si la pompe démarre pendant que les mains se trouvent à l'intérieur.

1. Éteindre la pompe. Fermer le disjoncteur du moteur de la pompe.
2. Retirer le couvercle et le panier-filtre.
3. Regarder à l'intérieur de la pompe pour la présence de débris. Éliminer tout débris trouvé à l'intérieur.
4. Replacer le panier-filtre et le couvercle.
5. Ouvrir le disjoncteur du moteur de la pompe.
6. Démarrer la pompe et observer si le problème est résolu.
7. Si la turbine est encore bloquée par les débris et qu'il ne soit pas possible de les enlever en procédant de l'étape 2 à l'étape 4, la pompe devra être démontée pour accéder aux orifices d'entrée et de sortie de la turbine.

Section 7. Caractéristiques du produit et données techniques

7.1 Liste et vue éclatée des pièces de rechange

Pour commander ou acheter des pièces pour les pompes Zodiac®, prière de communiquer avec votre concessionnaire Zodiac le plus près. Si le concessionnaire Zodiac ne peut répondre aux besoins, prière de communiquer avec le service technique Zodiac au 1 800 822-7933 ou envoyer un courriel à productsupport@zodiac.com. Au Canada, appeler le +1 (888) 647-4004, customerservice.PSC@zodiac.ca

Clé No	Description	Numéro de la pièce commandée
1	Entraînement du moteur de la pompe VS-FHP2.0 et VSFHP270AUT	R0562201
1	Entraînement du moteur de la pompe VS-FHP1.0, VSFHP165JEP	R0571000
1	Entraînement du moteur de la pompe VSFHP165AUT	R0670400
2	Plaque arrière, (plaque arrière avec quincaillerie, joint torique et joint mécanique de la plaque arrière)	R0479500
3	Rotor, (rotor, vis avec joint torique), VS-FHP2.0	R0479605
3	Rotor, (rotor, vis avec joint torique), VS-FHP1.0	R0479603
4	Diffuseur, (diffuseur avec joint torique, quincaillerie et joint torique de la plaque arrière)	R0479701
5	Joint mécanique, carbone et céramique (1 jeu)	R0479400
6	Corps de la pompe, (corps et joint torique de la plaque arrière)	R0479800
7	Pied de fixation du moteur	R0479900
8	Couvercle avec bague de verrouillage, (couvercle avec bague de verrouillage et joint torique)	R0480000
9	Panier de filtre de débris de la pompe	R0480100
10	Bouchon de vidange avec joint torique (jeu de 2)	R0446000
11	About, joint torique et écrou union (jeu de 2)	R0327301
12	Joint torique du couvercle	R0480200
13	Joint torique de la plaque arrière	R0480300
14	Joint torique de l'about (jeu de 2)	R0337601
15	Quincaillerie du diffuseur/de la turbine (joint torique du diffuseur, vis (2), vis avec joint auto-obturant)	R0480400
16	Quincaillerie de la plaque arrière (quincaillerie de la plaque arrière et joint torique de la plaque arrière)	R0480500
17	Ensemble de matériel pour le moteur	R0446700
18	Ensemble pour base de la pompe	R0486700
19	Couvercle du ventilateur, ensemble de remplacement GEN II (quincaillerie, couvercle)	R0562400
20	Quincaillerie de l'entraînement, GEN II	R0562500
21	Connecteur, entraînement, pompe VS-FHP (connecteur à 4 broches)	R0660900
22	Câble, RS485, ensemble de remplacement	R0535100
23	Vis avec joint torique	R0515400
24	Couvercle, grand, commande des vitesses avec joint, GEN II	R0562300
25	Entretoise du socle, FHP, VS-FHP, Ensemble de remplacement	R0546400
26	Câble de données, Par enfilade	R0501100
27	Interface utilisateur, Trousse de remplacement des pompes à vitesse variable	JEP-R
28	Couvercle, Régulateur, VS-FHP 1.0	R0571500
29	Couvercle du ventilateur, VS-FHP1.0	R0571300
30	Couvercle d'accès, VS-FHP1.0	R0571400
31	Vis de l'interface utilisateur, VS-FHP1.0	R0571600
32	Raccord de conduit, 1/2 filetage NPT, VS-FHP1.0	R0501101
33	Vis du couvercle d'accès arrière	R0587600

7.2 Vues éclatées

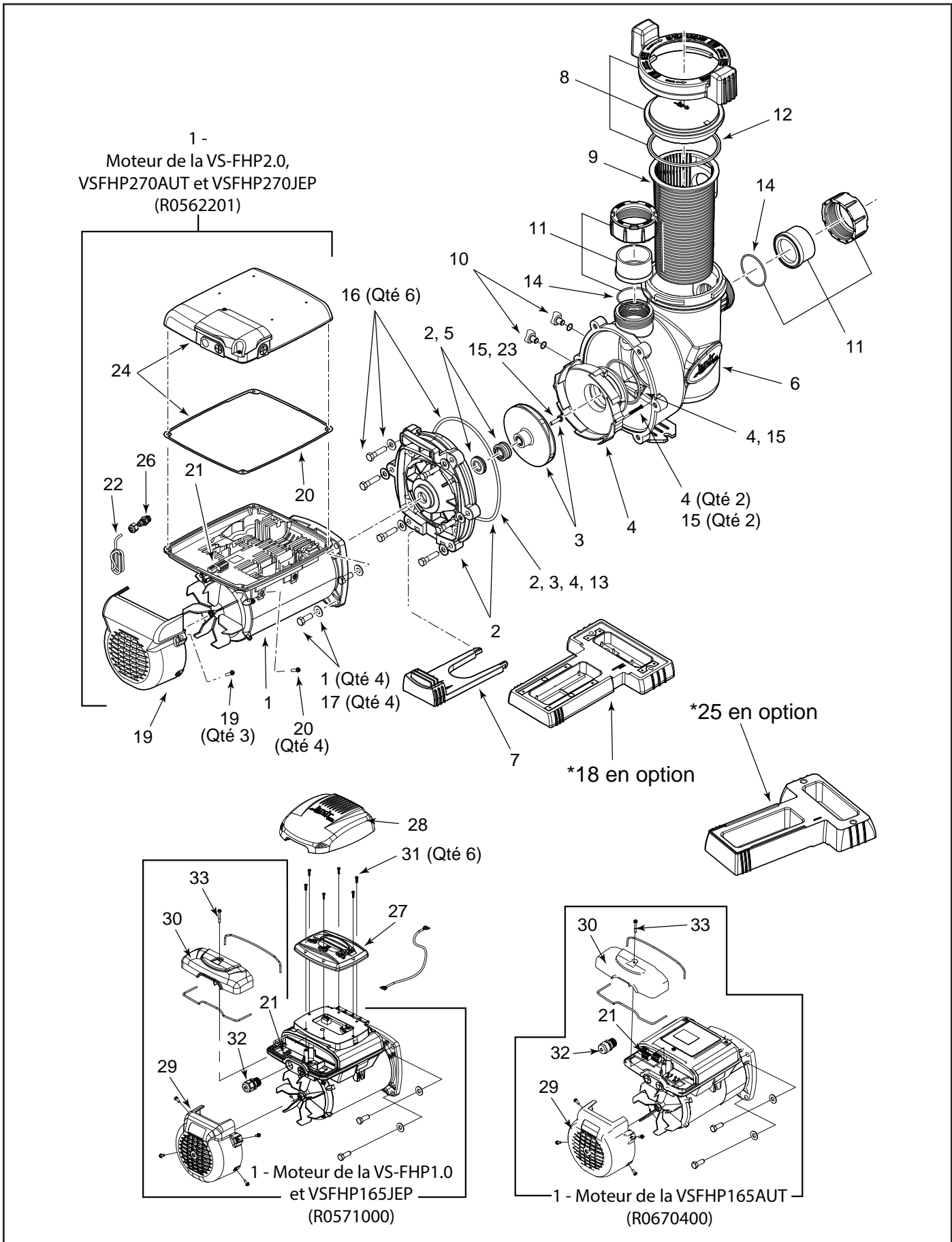
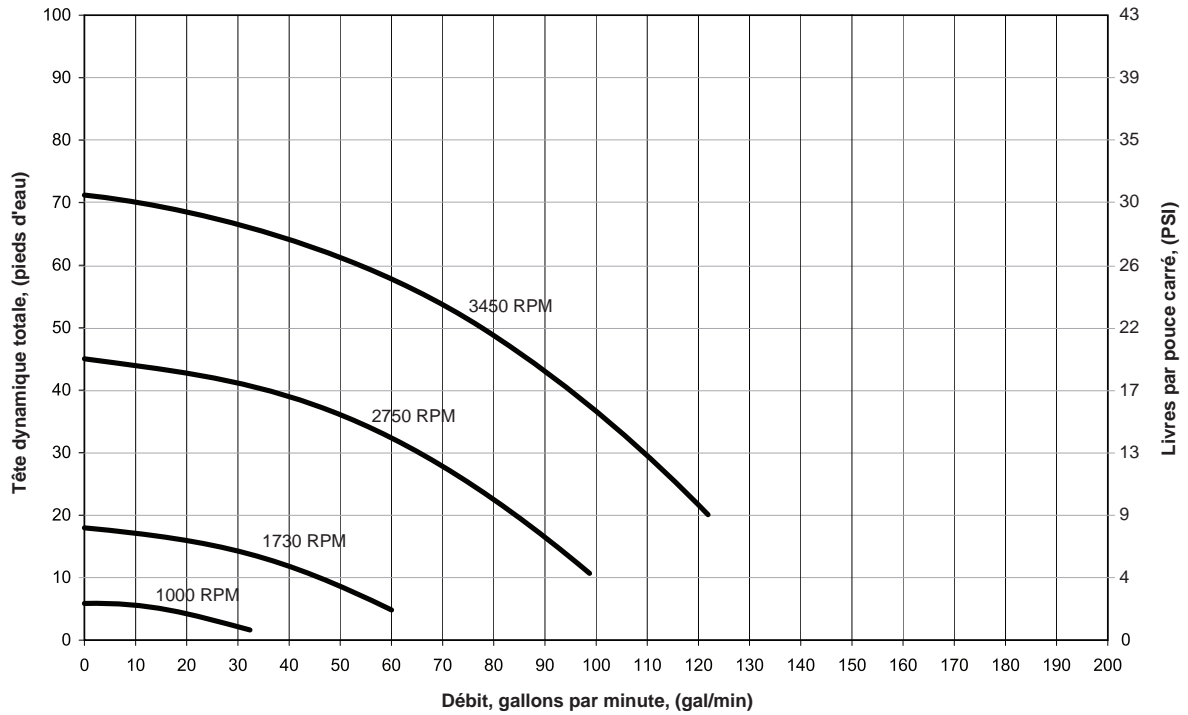


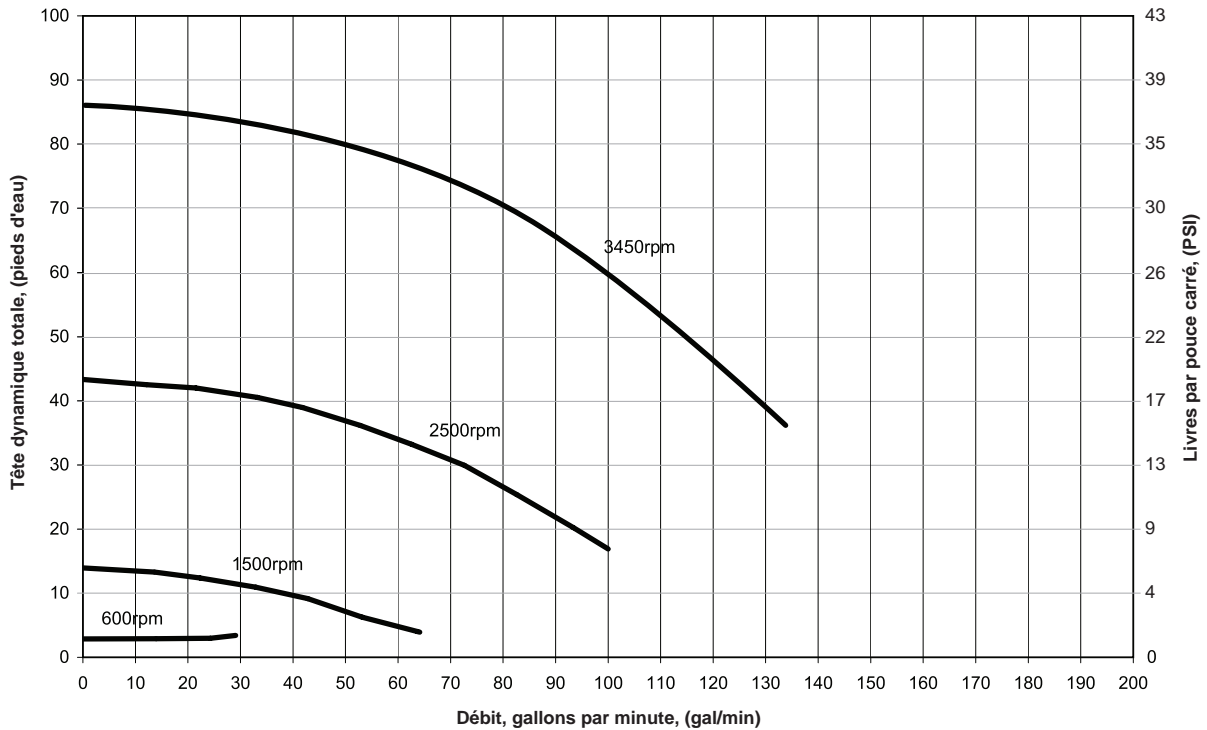
Figure 15. Vue éclatée des pompes de la série VS FloPro de Jandy

7.3 Courbes de rendement

Courbes de performance de la pompe
VS-FHP1.0, VSFHP165AUT et VSFHP165JEP de la série VS FloPro de Jandy Pro



Courbes de performance de la pompe
VS-FHP2.0, VSFHP270AUT et VSFHP270JEP de la série VS FloPro de Jandy Pro



7.4 Spécifications physiques et fonctionnelles

Spécifications

Numéro de modèle	HP	TENSION	Maximum de watts	Dimensions de la canalisation	Poids du carton	Longueur globale 'A'
VS-FHP1.0, VSFHP165AUT et VSFHP165JEP	1.0	230 Vca	1600 W	2 à 2½ po (51 à 63 mm)	22,7 kg (46 lb)	64 cm (25,2 po)
VS-FHP2.0, VSFHP270AUT et VSFHP270JEP	2.0	230 Vca	2400 W	2½ à 3 po (63 à 76 mm)	22,7 kg (56 lb)	69 cm (27,2 po)

7.4.2 Dimensions

REMARQUE Au moment de l'installation d'une pompe, laisser un minimum de deux (2) pieds (60 cm) de dégagement au-dessus de la pompe pour le retrait du panier-filtre.

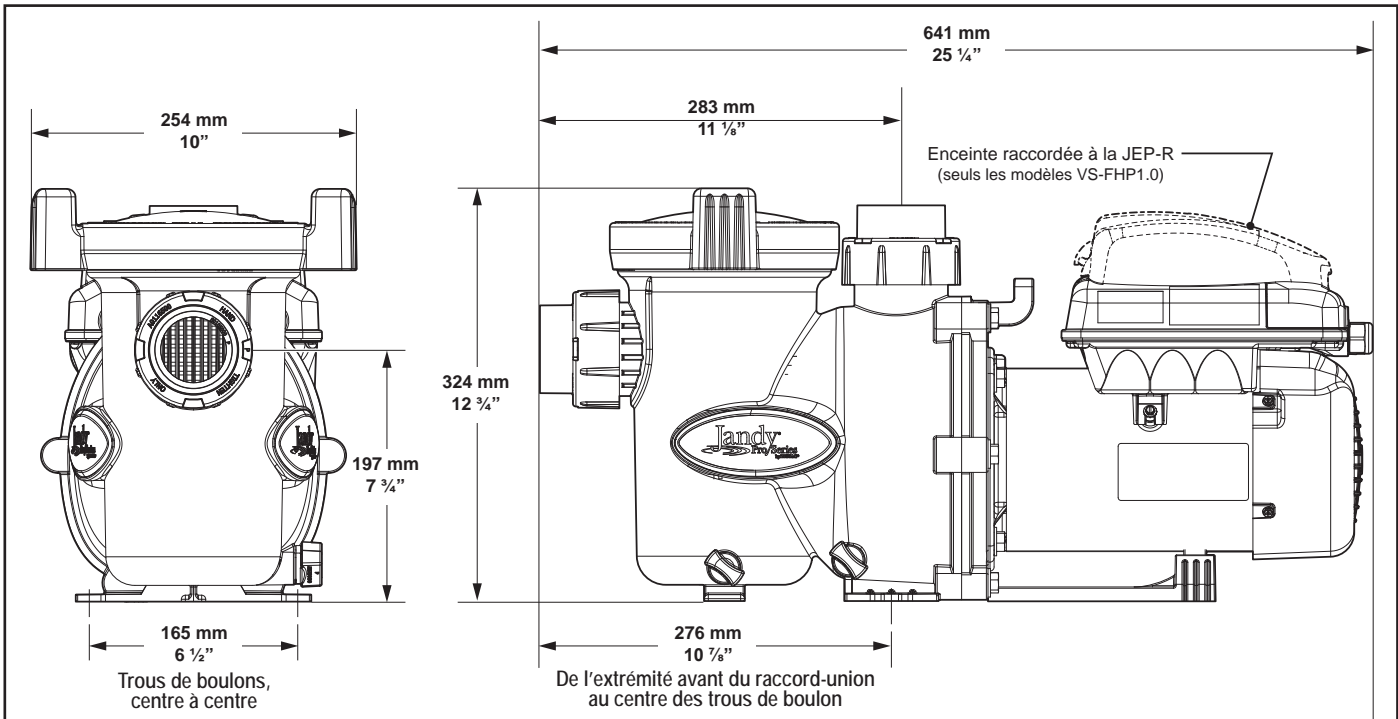


Figure 16. Dimensions de la VS-FHP1.0 et VSFHP165AUT

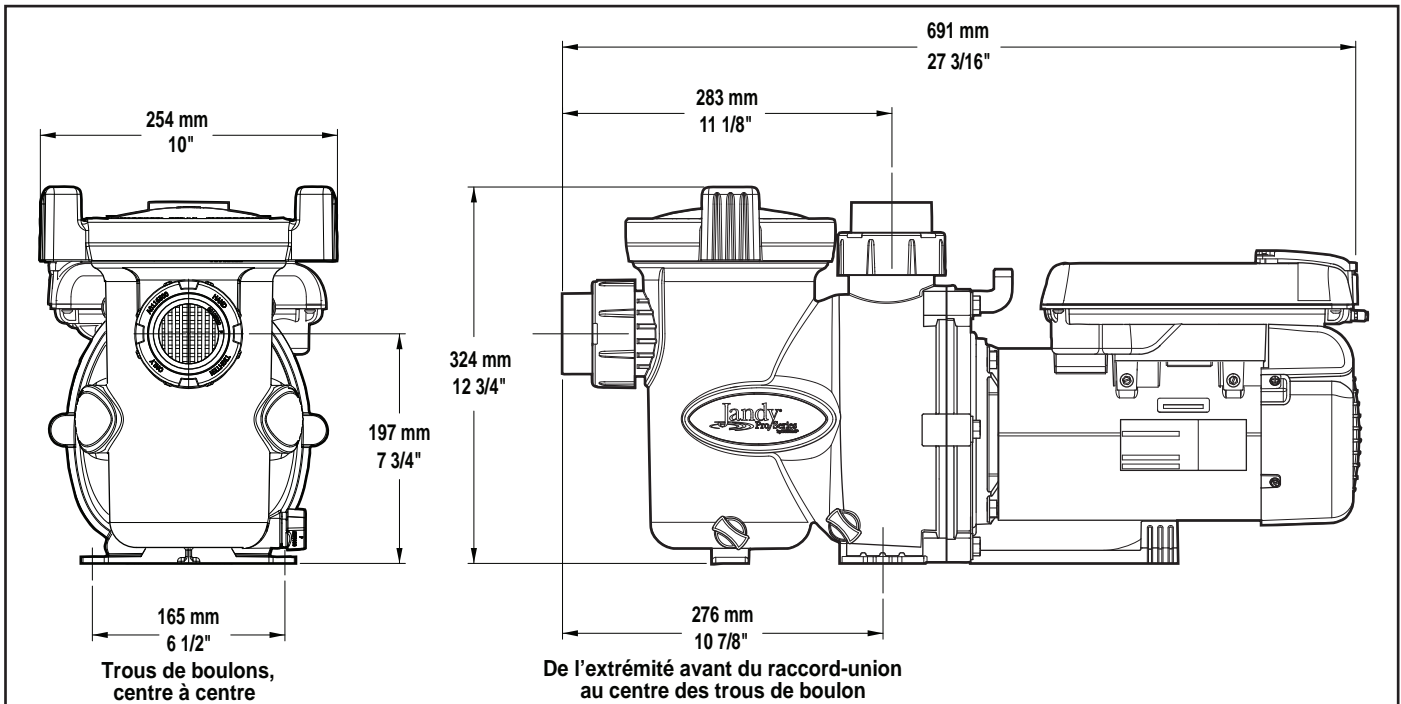


Figure 17. Dimensions de la VS-FHP2.0 et VSFHP270AUT

Zodiac Pool Systems LLC
2620 Commerce Way, Vista, CA 92081
1 800 822-7933 | www.ZodiacPoolSystems.com

Zodiac Pool Systems Canada, Inc.
2-3365 Mainway, Burlington, Ontario L7M 1A6
+ 1 (888) 647-4004 | www.ZodiacPoolSystems.ca

©2017 Zodiac Pool Systems LLC. ZODIAC® est une marque déposée de Zodiac International, S.A.S.U., utilisée sous licence. Toutes les marques de commerce et marques déposées susmentionnées dans le présent document sont la propriété de leurs propriétaires respectifs.

H0420400 REVH



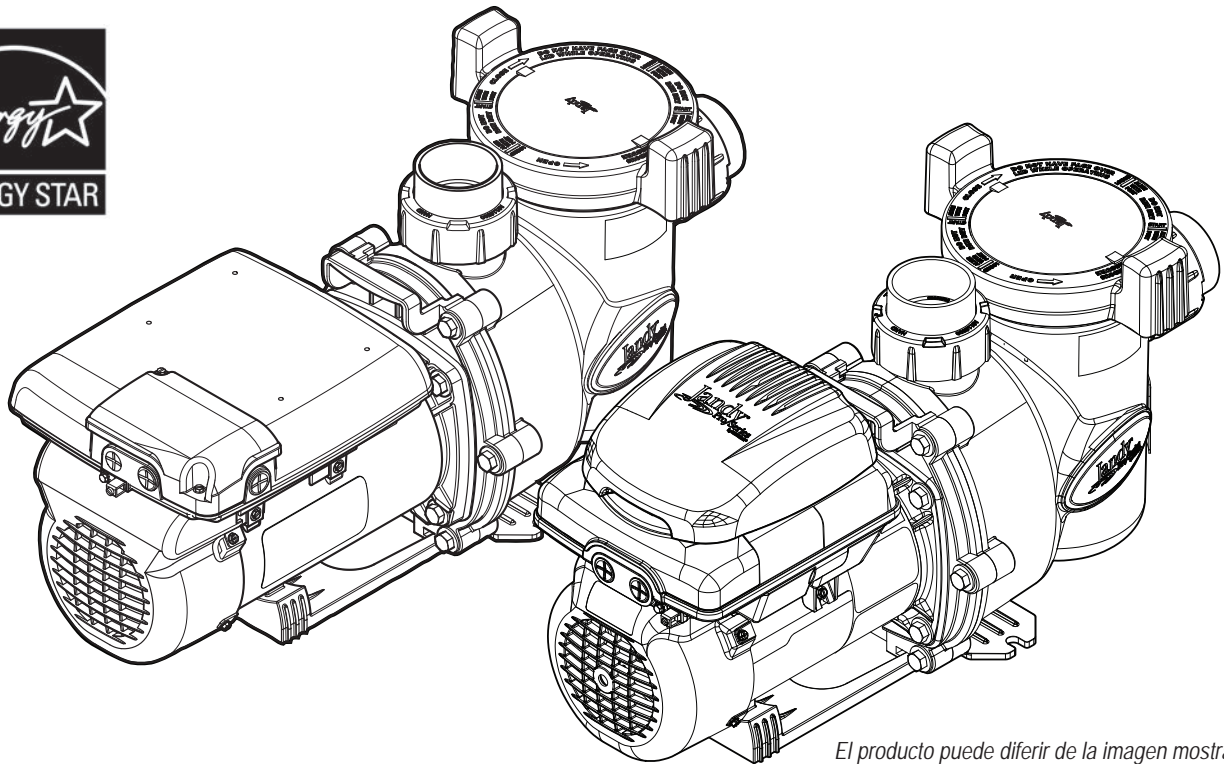
ETL LISTED
CONFORMS TO
UL STD 1081

Certified to
CAN/CSA STD
C22.2 No. 108



Certified to
NSF/ANSI Standard 50





El producto puede diferir de la imagen mostrada

Bombas de velocidad variable Serie Pro VS FloPro™ de Jandy

⚠ WARNING

PARA SU SEGURIDAD - Este producto debe ser instalado y mantenido por un contratista con la licencia y la capacitación necesarias para trabajar con equipos para piscinas otorgadas por la jurisdicción donde se instalará el producto en caso de que existan tales requisitos estatales o locales. La persona que realice la instalación o el mantenimiento debe ser un profesional con experiencia suficiente en la instalación y el mantenimiento de equipos para piscinas de tal manera que pueda seguir al pie de la letra todas las instrucciones de este manual. Antes de instalar este producto, lea y siga todas las instrucciones y preste atención a las advertencias en el manual adjunto. No prestar la debida atención a las advertencias y las instrucciones puede ocasionar daños a la propiedad, lesiones personales e incluso la muerte. La instalación y/o la operación incorrectas serán causa de anulación de la garantía.



La instalación y la operación incorrectas pueden crear un riesgo eléctrico imprevisto que puede ocasionar lesiones graves, daños a la propiedad e incluso la muerte.

ATENCIÓN INSTALADOR - Este manual contiene información importante acerca de la instalación, operación y utilización segura de este producto. Esta información debe ser entregada al propietario u operador de este equipo.

Índice

Contents

Sección 1. INSTRUCCIONES DE SEGURIDAD IMPORTANTES 51

- 1.1 Instrucciones de seguridad 51
- 1.2 Pautas de prevención de atrapamiento por succión de la bomba de la piscina 53

Sección 2. Descripción general 54

- 2.1 Introducción 54
- 2.2 Descripción 54

Sección 3. Información sobre la instalación 54

- 3.1 Hidráulica 54
- 3.2 Instalación eléctrica 58
- 3.3 Configuración del interruptor DIP de la bomba VS FloPro 61
- 3.4 Operación de carga auxiliar 62
- 3.5 Quite la tapa de la bomba 63
- 3.6 Realice una prueba de presión 63

Sección 4. Operación 64

- 4.1 Arranque 64

Sección 5. Servicio y mantenimiento 65

- 5.1 Mantenimiento de rutina 65
- 5.2 Preparación para el invierno 65

Sección 6. Localización de averías y reparación 66

- 6.1 Servicio de mantenimiento por un técnico 68

Sección 7. Especificaciones del producto y datos técnicos 69

- 7.1 Lista de piezas de repuesto y plano de despiece 69
- 7.2 Despieces detallados 70
- 7.3 Curvas de rendimiento 71
- 7.4 Especificaciones físicas y operacionales 71

REGISTRO DE INFORMACIÓN DEL EQUIPO

FECHA DE INSTALACIÓN _____

INFORMACIÓN DEL INSTALADOR _____

LECTURA INICIAL DEL MEDIDOR DE PRESIÓN (CON EL FILTRO LIMPIO) _____

MODELO DE BOMBA _____ CABALLO DE FUERZA _____

NOTAS: _____

Sección 1. INSTRUCCIONES DE SEGURIDAD IMPORTANTES

LEA Y SIGA ESTAS INSTRUCCIONES

1.1 Instrucciones de seguridad

Todo el trabajo de electricidad deberá realizarlo un electricista certificado de conformidad con todos los códigos nacionales, estatales y regionales. Cuando se instale y utilice este equipo eléctrico, siempre se deberán seguir las siguientes precauciones básicas de seguridad:

ADVERTENCIA

RIESGO DE PELIGRO DE ATRAPAMIENTO POR SUCCIÓN QUE, SI NO SE EVITA, PUEDE RESULTAR EN LESIONES GRAVES O LA MUERTE. No bloquee la succión de la bomba, ya que esto puede causar lesiones graves o la muerte. No use esta bomba en piscinas para niños, piscinas de poca profundidad, o spas con drenajes en el fondo, a menos que la bomba esté conectada a por lo menos dos (2) puntos de succión funcionales. Los ensamblajes de la boca de succión (drenaje) y sus tapas deben estar certificados según la última edición publicada de ANSI®/ASME® A112.19.8 o su norma sucesora, ANSI/APSP-16.

ADVERTENCIA

Para reducir el riesgo de lesión, no permita que los niños usen este artefacto.

ADVERTENCIA

Para reducir el riesgo de daños materiales o lesiones personales, no intente cambiar la posición de la válvula de retrolavado (multiorificio, deslizamiento o caudal completo) con la bomba en funcionamiento.

ADVERTENCIA

Las bombas Serie Pro de Jandy son accionadas por un motor eléctrico de alto voltaje y deben ser instaladas por un electricista con licencia (o certificado) o por un técnico que esté calificado en servicio de piscinas.

ADVERTENCIA

Debido al riesgo potencial de incendio, choque eléctrico o lesiones a las personas, las bombas Serie Pro de Jandy se deben instalar de acuerdo con el National Electrical Code® (NEC®), todos los códigos eléctricos y de seguridad locales, y la Ley de Seguridad y Salud Ocupacional de EEUU (OSHA). Pueden solicitarse copias del código NEC a la National Fire Protection Association, con dirección 470 Atlantic Ave., Boston, MA 02210, o a su agencia gubernamental de inspección.

ADVERTENCIA

RIESGO DE DESCARGA ELÉCTRICA, INCENDIO, LESIONES PERSONALES O MUERTE. Conectar solamente a un ramal del circuito que esté protegido por un interruptor de circuito por falla a tierra (GFCI). Contacte a un electricista autorizado si no puede verificar que el circuito está protegido por un GFCI. El instalador debe proporcionar un GFCI (Interruptor de circuito por falla a tierra) y este se debe probar de manera rutinaria. Para probar el GFCI, presione el botón de prueba. El GFCI debe interrumpir la energía. Presione el botón Reset. Se debe restablecer la energía. Si el GFCI no funciona de esta forma, significa que está defectuoso. Si el GFCI interrumpe la energía hacia la bomba sin presionar el botón de prueba, quiere decir que la corriente de tierra está circulando sin problemas, lo que indica la posibilidad de una descarga eléctrica. No utilice el dispositivo. Desconecte el dispositivo y solicite a un representante de servicio calificado que solucione el problema antes de utilizarlo.

ADVERTENCIA

Los equipos instalados incorrectamente pueden fallar y causar lesiones graves o daños materiales.

⚠ ADVERTENCIA

- No conecte el sistema a una red de agua no regulada de la ciudad, o a otra fuente externa de agua presurizada que produzca presiones mayores a 35 psi.
- Arrancar la bomba cuando hay aire comprimido en el sistema puede hacer que la tapa del filtro salga expulsada, lo que puede causar serias lesiones e incluso la muerte o daños a la propiedad. Antes de operar asegúrese de que todo el aire del sistema haya salido.

⚠ ADVERTENCIA

Para minimizar el riesgo de muerte o graves lesiones el filtro y/o la bomba no pueden someterse a la prueba de presurización del sistema de tuberías.

Las normas locales pueden requerir que el sistema de tuberías de la piscina sea sometido a una prueba de presión. Por lo general, estos requisitos no tienen la intención de aplicarse a equipos de la piscina, tales como filtros y bombas.

Los equipos de piscina Zodiac® se prueban por presión en la fábrica.

Sin embargo, si la ADVERTENCIA no se puede observar y las pruebas de presión del sistema de tuberías deben incluir el filtro y/o la bomba, **ASEGURESE DE CUMPLIR CON LAS SIGUIENTES INSTRUCCIONES DE SEGURIDAD:**

- Compruebe que todas las abrazaderas, pernos, tapas, anillos de bloqueo, y accesorios del sistema estén correctamente instalados y asegurados antes de la prueba.
- **LIBERE TODO EL AIRE en el sistema antes de la prueba.**
- La presión del agua para la prueba **NO DEBE EXCEDER 35 psi.**
- La temperatura del agua para la prueba **NO DEBE EXCEDER 100° F (38° C).**
- Limite la prueba a 24 horas. Después de la prueba, verifique visualmente el sistema para asegurarse de que esté listo para funcionar.

AVISO: Estos parámetros sólo se aplican a los equipos Zodiac. Para equipos de otras marcas que no sean Zodiac, consulte al fabricante correspondiente.

⚠ ADVERTENCIA

Los derrames de productos químicos y los gases pueden debilitar los equipos de la piscina. La corrosión puede producir fallas en los filtros y otros equipos, lo que podría resultar en lesiones graves o daños materiales. No almacene productos químicos para piscinas cerca de sus equipos.

⚠ PRECAUCIÓN

¡No arranque la bomba en seco! El funcionamiento de la bomba en seco puede causar daños graves y dejará nula la garantía.

⚠ PRECAUCIÓN

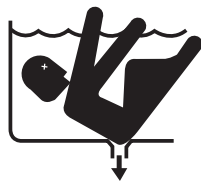
Esta bomba es para el uso en piscinas de instalación permanente y también se puede utilizar en tinas de hidromasaje y spas, si así se indica. No la utilice en piscinas portátiles. La piscina permanente está construida dentro o sobre el suelo o en un edificio, de tal manera que no se puede desmontar fácilmente para su almacenamiento. La piscina portátil está construida de manera que puede ser fácilmente desmontada para su almacenamiento y volver a montarse en su estado original.

⚠ PRECAUCIÓN

No la instale en un recinto exterior o debajo de la falda de una tina de hidromasaje. La bomba requiere una ventilación adecuada para mantener la temperatura del aire por debajo del rango de temperatura ambiente máxima que aparece en la placa del motor.

GUARDE ESTAS INSTRUCCIONES

1.2 Pautas de prevención de atrapamiento por succión de la bomba de la piscina



⚠ ADVERTENCIA

PELIGRO DE SUCCIÓN. Puede causar lesiones graves o la muerte. No use esta bomba en piscinas para niños, piscinas de poca profundidad o spas con drenajes en el fondo, a menos que la bomba esté conectada a por lo menos dos (2) bocas de succión funcionales.

⚠ ADVERTENCIA

La succión de la bomba es peligrosa y puede atrapar, ahogar y eviscerar a los bañistas. No utilizar ni operar las piscinas, o tinas de hidromasaje si alguna de las tapas de la boca de succión está ausente, rota o suelta. Las siguientes indicaciones proporcionan información para la instalación de la bomba minimizando el riesgo de lesiones para los usuarios de piscinas, spas y tinas de hidromasaje:

Protección contra atrapamiento - El sistema de succión de la bomba debe proporcionar protección contra los peligros de atrapamiento por succión.

Tapas de las bocas de succión - Todas las bocas de succión deben tener tapas instaladas correctamente y atornilladas en su lugar. Debe hacerse mantenimiento adecuado a todas las tapas de las bocas de succión (drenaje). Deben ser sustituidas si están agrietadas, rotas o ausentes. Las tapas del drenaje deben cumplir con la última edición publicada de la norma ANSI®/ASME® A112.19.8, o su norma sucesora, ANSI/APSP-16. Se debe cerrar la piscina y los usuarios no podrán ingresar mientras no se hayan reemplazado las tapas de drenaje faltantes, rotas o agrietadas.

Número de bocas de succión por bomba – Deben proporcionarse al menos dos (2) bocas de succión hidráulicamente equilibradas, con sus tapas, como salidas para cada línea de succión de la bomba de circulación. Los centros de las bocas de succión (bocas de succión) en una (1) línea de succión deben estar separados por lo menos tres (3) pies (1 m) de distancia, de centro a centro. Véase Figura 1.

El sistema debe estar construido para incluir al menos dos (2) bocas de succión (drenajes) conectadas a la bomba siempre que la bomba esté funcionando. Sin embargo, si dos bocas de succión llegan a una sola línea de succión, esta línea de succión individual puede ser equipada con una válvula que cierre las dos bocas de succión. El sistema deberá ser construido de tal manera que no permita el cierre por separado o independiente (aislamiento) de cada uno de los drenajes. Véase Figura 1.

Se pueden conectar bombas adicionales a una línea de succión única, siempre y cuando se cumplan los requisitos previamente mencionados.

Velocidad del agua – La velocidad máxima del agua que pasa a través de la boca de succión y la tapa de cualquier boca de succión no puede exceder el valor del caudal máximo aprobado para la boca de succión y su tapa. El montaje de la boca de succión (drenaje) y su tapa deben cumplir con la última edición de la norma ANSI®/ASME® A112.19.8, la norma concerniente a aditamentos de succión para el uso en piscinas de natación, piscinas para niños, spas y tinas de hidromasaje, o norma sucesora ANSI/ASME APSP-16.

Pruebas y certificación – Las tapas de las bocas de succión deben haber sido homologadas por un laboratorio de pruebas reconocido a nivel nacional y cumplir con la última edición publicada de la norma ANSI/ASME A112.19.8, o norma sucesora ANSI/APSP-16, la norma concerniente a aditamentos de succión para el uso en piscinas de natación, piscinas para niños, spas y tinas de hidromasaje.

Aditamentos - Aditamentos de restricción de flujo. Para obtener la mejor eficiencia posible utilizar la menor cantidad de aditamentos (pero por lo menos dos (2) bocas de succión).

Evite los aditamentos que puedan causar bolsas de aire.

Los aditamentos de limpieza de la succión deben ajustarse a los estándares aplicables de la Asociación Internacional de Fontanería y Operarios Mecánicos (IAPMO).

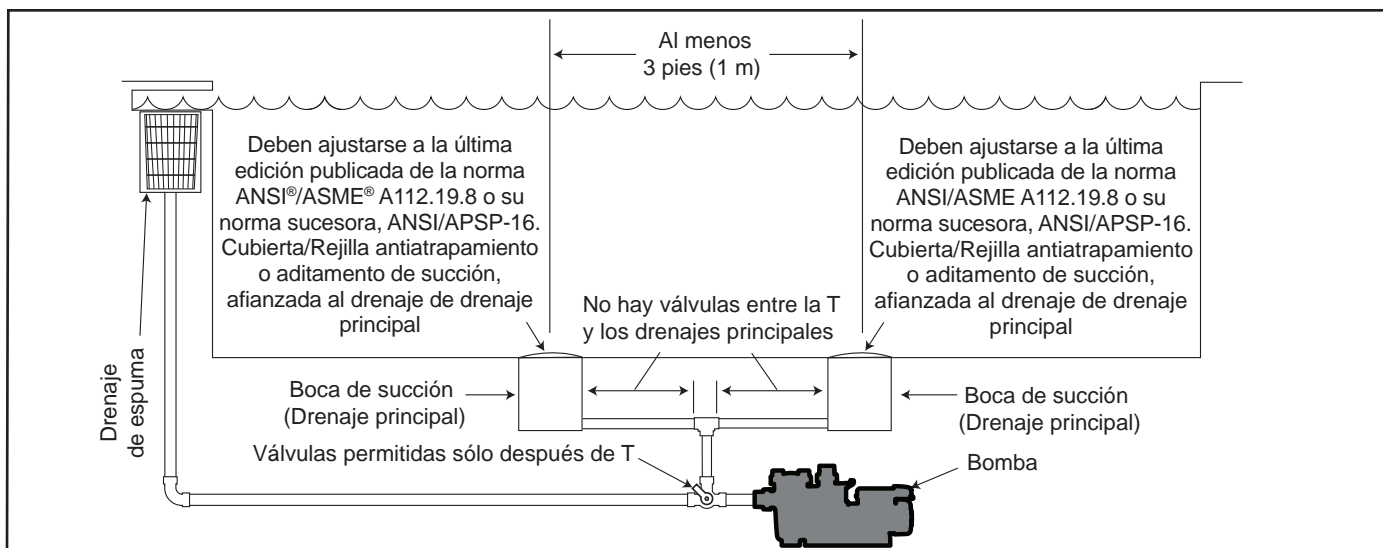


Figura 1. Número de bocas de succión por bomba

Sección 2. Descripción general

2.1 Introducción

Este manual contiene información sobre la instalación, la operación y el mantenimiento adecuados de las bombas de velocidad variable VS FloPro Serie Pro de Jandy. Los procedimientos indicados en este manual se deben seguir al pie de la letra. Para obtener copias adicionales de este manual, póngase en contacto con el Servicio al Cliente de Zodiac® llamando al 800.822.7933. Para más información de direcciones, consulte la contraportada de este manual.

2.2 Descripción

La VS FloPro es una bomba de velocidad variable que se puede operar desde 600 RPM hasta 3450 RPM. Cuando se conecta al Controlador JEP-R, se pueden programar y almacenar un máximo de ocho (8) ajustes de velocidad. Esto le permite seleccionar la velocidad más adecuada para su aplicación. Una programación aun más versátil es posible usando el controlador AquaLink® RS, el AquaLink PDA o el AquaLink Z4™.

La bomba se acciona mediante un ECM (motor de conmutación electrónica) de velocidad variable adosado directamente al impulsor de la bomba. El motor eléctrico gira el impulsor, lo que obliga a que el agua fluya a través de la bomba. A medida que la velocidad del motor varía, el flujo a través de la bomba también varía. El caudal ajustable permite la optimización del flujo para requerimientos variados de la bomba. Como resultado, la eficiencia energética de la bomba se maximiza con el consiguiente ahorro de costos para el propietario de la piscina y al mismo tiempo ayuda a proteger el medio ambiente.

Sección 3. Información sobre la instalación

3.1 Hidráulica

Información de preparación

1. Una vez que reciba la bomba, revise si la caja presenta daños. Abra la caja y revise si la bomba presenta daños tales como grietas, abolladuras o la base doblada. Si encuentra algún daño, póngase en contacto con el remitente o el distribuidor donde adquirió la bomba.
2. Inspeccione el contenido de la caja y verifique que todas las piezas estén incluidas, véase Sección 7.1, Lista de piezas de repuesto y plano de despiece.

Ubicación de la bomba

⚠ ADVERTENCIA

Para reducir el riesgo de incendio, instale el equipo de la piscina en un área en donde no se acumulen hojas u otros residuos sobre el equipo o alrededor del mismo. Mantenga el área circundante libre de todo residuo como papel, hojas, hojas de pino y otros materiales inflamables.

1. Zodiac Pool Systems LLC recomienda la instalación de la bomba dentro de un espacio de 30 cms. sobre el nivel del agua. La bomba no debe elevarse más de cinco (5) pies (1,52 m) por encima del nivel del agua de la piscina.

NOTA La bomba está certificada por la NSF por tener la capacidad de cebar a alturas de hasta 10 pies por encima del nivel del agua de la piscina, a nivel del mar. Sin embargo, para lograr un mejor autocebado, instale la bomba lo más cerca posible del nivel de agua de la piscina.

2. Si la bomba se ubica por debajo del nivel del agua, deben instalarse válvulas de aislamiento tanto en la línea de succión como en la de retorno para evitar el reflujos del agua de la piscina durante cualquier servicio de rutina o necesario.

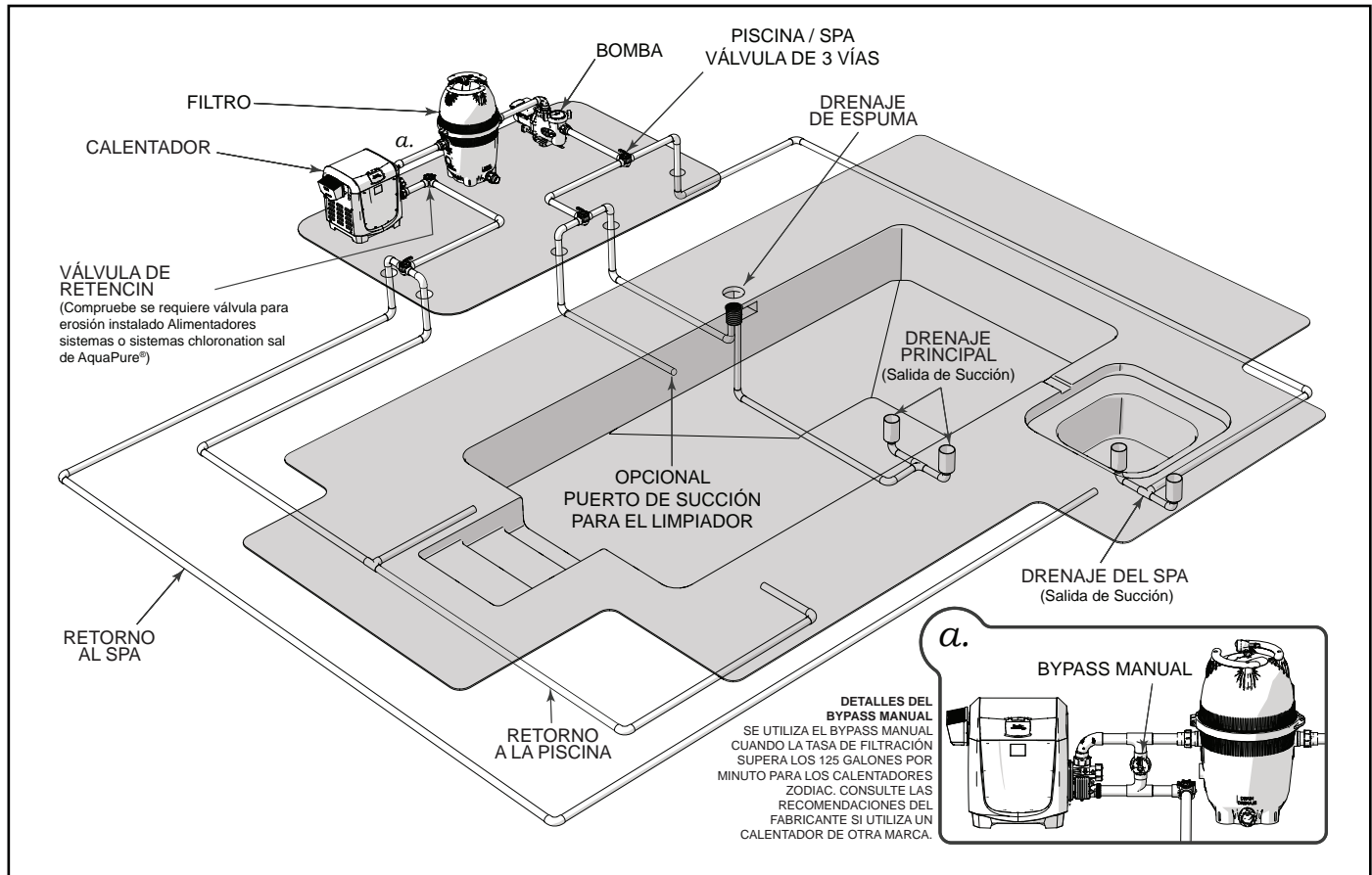


Figura 2. Instalación típica de tubería

⚠ ADVERTENCIA

La válvula antirretorno puede interferir con el funcionamiento correcto de determinados productos del sistema de liberación de vacío por succión (SVRS). Para evitar el riesgo potencial de quedar atrapado, sufrir lesiones graves o incluso la muerte, asegúrese de revisar el manual de funcionamiento/ del usuario de su producto SVRS, en particular antes de instalar la válvula antirretorno.

NOTA Cuando el equipo de la piscina está ubicado por debajo de la superficie de la piscina, una fuga puede resultar en grandes pérdidas de agua o inundación. Zodiac Pool Systems LLC no se responsabiliza por dichas pérdidas o inundaciones ni por el daño causado por estas situaciones.

3. Instale la bomba de forma tal que los medios de desconexión o las cajas terminales de alimentación se encuentren a la vista de la bomba y al menos a cinco (5) pies (1,52 m) horizontalmente del borde de la piscina y/o el spa. Elija un lugar que reduzca al mínimo las curvas en la tubería.

NOTA En Canadá, el Código Eléctrico Canadiense (CEC, CSA C22.1) requiere que se mantenga una distancia mínima de 3 metros (10 pies) del borde de la piscina y/o el spa.

4. La bomba debe ser colocada sobre una base sólida que no vaya a vibrar. Para reducir aun más la posibilidad de ruido por vibración, fije (con pernos) la bomba a los cimientos, o colóquela sobre una estera de goma.

NOTA Zodiac Pool Systems LLC recomienda afianzar la bomba directamente sobre la base.

5. La base de la bomba debe tener un drenaje adecuado para evitar que el motor se moje. Proteja la bomba de la lluvia y el sol.

6. Es necesaria una ventilación adecuada para que la bomba funcione con normalidad. Todos los motores generan calor que debe ser retirado mediante ventilación adecuada.

7. Proporcione acceso para los futuros servicios dejando espacio suficiente alrededor de la bomba. Deje suficiente espacio por encima de la bomba para quitar la tapa y la cesta para su limpieza.

8. Si el equipo está en una zona potencialmente oscura, proporcione iluminación adecuada.

Dimensiones de la tubería

Para obtener ayuda con el dimensionamiento de tuberías de succión y descarga, por favor consulte la Tabla 1.

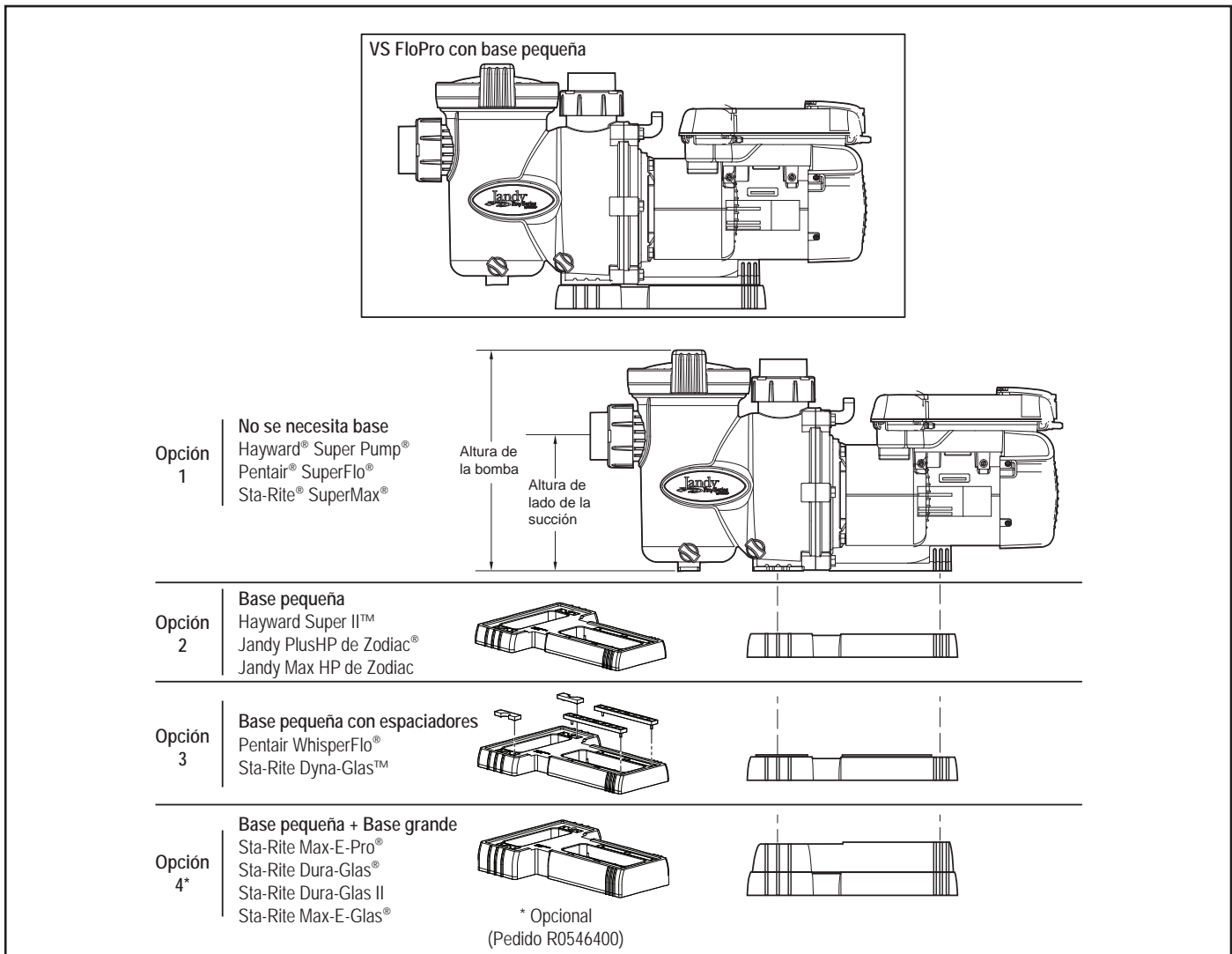


Figura 3. Opciones de la base y de la bomba VS FloPro

Recomendaciones de instalación

1. Para ayudar a prevenir problemas en el cebado, instale la tubería de succión, sin puntos elevados (por encima de la entrada de la bomba - "U" invertida, lo que comúnmente se conoce como cámaras de aire) que puedan atrapar el aire. Para instalaciones de equipos dentro de una distancia de hasta 30 metros del agua, consulte la Tabla 1, la tabla de tamaños de tuberías. Para instalaciones de equipos a una distancia de más 30 metros del agua, el tamaño de la tubería recomendada se debe aumentar al tamaño siguiente.

Tabla 1. Diagrama de dimensiones de tuberías PVC 40

Tamaño de la tubería	Flujo máximo de succión (6 pies (1,8 m) por segundo)	Flujo máximo de descarga (8 pies (2,4 m) por segundo)
1½" (38 mm)	37 GPM (140 LPM)	50 GPM (189 LPM)
2" (51 mm)	62 GPM (235 LPM)	85 GPM (322 LPM)
2½" (64 mm)	88 GPM (333 LPM)	120 GPM (454 LPM)
3" (76 mm)	136 GPM (515 LPM)	184 GPM (697 LPM)
4" (102 mm)	234 GPM (886 LPM)	313 GPM (1185 LPM)

2. Las bombas VS FloPro están equipadas con uniones tanto en la boca de succión como en la boca de descarga. Esta característica simplifica la instalación y el servicio y elimina la posibilidad de fugas en los adaptadores roscados.

3. La bomba VS FloPro debe conectarse con al menos (2) drenajes principales hidráulicamente balanceados (bocas de succión), para cada línea de succión de la bomba. Cada montaje de drenaje (boca de succión) debe estar provisto de tapas y debe cumplir con la última edición publicada de la norma ANSI®/ASME® A112.19.8 o norma sucesora, ANSI/APSP-16. Los aditamentos de succión de los drenajes principales deben colocarse al menos a (3) pies (1 m) de distancia o en diferentes planos. Los aditamentos de succión pueden ser un drenaje y un drenaje de espuma, dos (2) drenajes, dos (2) drenajes de espuma, o un drenaje de espuma con una línea de igualación instalada. Compruebe en los códigos locales los requisitos de una instalación correcta.

NOTA Para evitar el atrapamiento, el sistema debe ser construido de manera que no pueda funcionar en caso de que la bomba retire agua solamente de un (1) drenaje principal. Por lo menos dos (2) drenajes principales deben estar conectados a la bomba cuando esté en funcionamiento. Sin embargo, si dos (2) drenajes principales llegan a una sola línea de succión, esta línea de succión individual puede ser equipada con una válvula que cerrará los dos drenajes principales de la bomba.

4. La tubería debe estar bien apoyada y no puede forzarse en los puntos de estrés constante.
5. Siempre use válvulas del tamaño correcto. Las válvulas de desviación serie Pro de Jandy y las válvulas de bola tienen típicamente las mejores capacidades de flujo.
6. Utilice el menor número posible de conexiones especialmente codos de 90 grados. Cada accesorio adicional o la longitud de la tubería aumenta la resistencia al flujo que hace que el trabajo de la bomba más difícil.

NOTA Si se necesitan más de diez aditamentos de succión, el tamaño de la tubería debe aumentarse.

7. Cada nueva instalación debe someterse a una prueba de presión de acuerdo a los códigos locales.

Reemplazo de la bomba existente

Las bombas VS FloPro y Serie Pro de Jandy pueden reemplazar fácilmente otras bombas: la Hayward® Super Pump®, la Hayward Super II™, la Pentair® SuperFlo®, el Pentair WhisperFlo®, la Serie Pro de Jandy, la PlusHP (PHP), la Serie Pro de Jandy MaxHP (MHP), la Sta-Rite® Dura-Glas, la Sta-Rite Dura-Glas II, la Sta-Rite Dyna-Glas™, la Sta-Rite Max-E-Glas®, la Sta-Rite Max-E-Pro® y la Sta-Rite SuperMax®.

Para reemplazar el Pentair WhisperFlo, la Serie Pro de Jandy PHP o la Serie Pro de Jandy MHP, use la base ajustable de la VS FloPro. La base de la VS FloPro (y sus espaciadores) aumentan la altura total de la bomba y la altura del lado de succión de la bomba. Véase la Tabla 2 y la Figura 3.

NOTE Modelos FloPro VS-FHP1.0, VSFHP165JEP, VS-FHP2.0 y VSFHP270JEP se venden con una base ajustable. Si se requiere la base ajustable para VSFHP270AUT o VSFHP165AUT por favor véase el punto 18 de la sección 7.1 "Lista de piezas de repuesto y plano de despiece"

Tabla 2. Dimensiones de la VS FloPro

Base de configuración	Altura de lado de la succión	Altura de la bomba
1. Bomba sin base	7 3/4" (197 mm)	12 3/4" (44 mm)
2. Bomba con base	9" (229 mm)	14" (356 mm)
3. Bomba con base y espaciadores	9 1/4" (235 mm)	14 1/4" (362 mm)
4. Bomba con base pequeña + grande	10 7/8" (276 mm)	15 7/8" (403 mm)

Instalar los espaciadores en la base pequeña

1. Utilizando una herramienta manual de corte, corte las barras de plástico que conectan los conjuntos superior e inferior de los espaciadores, como se muestra en la Figura 4.
2. Empuje los dos (2) espaciadores de arriba y los dos (2) espaciadores de abajo sacándolos de la base.
3. Alinee los pines en los cuatro (4) espaciadores con los orificios en la base y asegúrelos en su lugar como se muestra en la Figura 5.

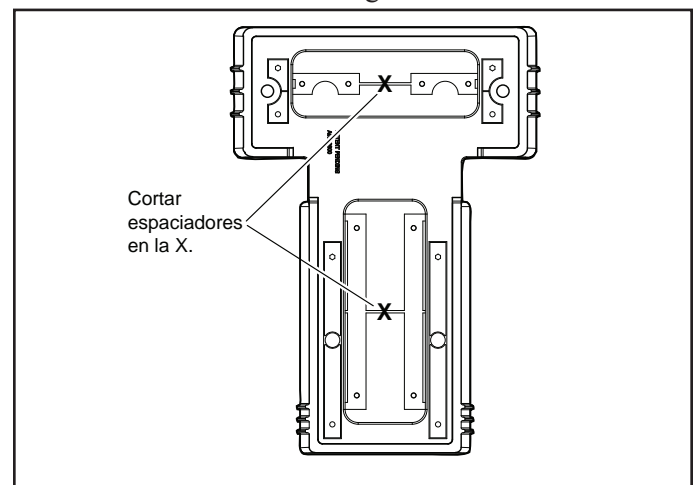


Figura 4. Corte los grupos de espaciadores fuera de la base

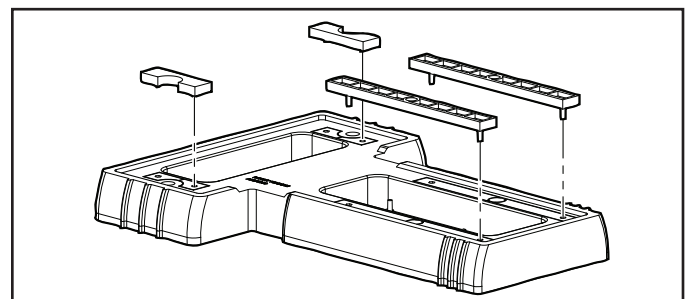


Figura 5. Encaje los espaciadores en su sitio

Tabla 3. Tamaños de alambre recomendados para bombas VS FloPro

TAMAÑOS MÍNIMOS DE ALAMBRE RECOMENDADOS PARA BOMBAS VS FLOPRO*		
Distancia desde el sub-tablero		0-150 pies (0-45 metros)
Modelo	Inverso - Interruptor temporizado o clase de amperaje de fusibles de ramal: CC, G, H, J, K, RK, o T 230 VAC	Calibre del alambre Voltaje 230 VAC
VS-FHP1.0, VSFHP165AUT, VSFHP165JEP	15A	12
VS-FHP2.0, VSFHP270AUT, VSFHP270JEP	20A	10

*Asume tres (3) cables conductores de cobre en un conducto enterrado y un máximo de 3% de pérdida de voltaje por ramal del circuito. Deben respetarse el National Electrical Code® (NEC®) de EEUU, el Canadian Electrical Code de Canadá (CSA), además de todos los códigos eléctricos locales aplicables. La tabla muestra el tamaño de cable mínimo y recomendaciones de fusibles por ramal para la instalación típica.

3.2 Instalación eléctrica

Pruebas de voltaje

El voltaje correcto, como se especifica en la placa de la bomba y en la Tabla 3 en la página 10, es necesario para un funcionamiento adecuado y una larga vida del motor. Un voltaje incorrecto disminuirá el desempeño de la bomba y podría causar sobrecalentamiento, reduciendo la vida útil del motor y resultando en cuentas eléctricas más altas.

Es responsabilidad del instalador eléctrico proporcionar el voltaje de funcionamiento indicado en los datos de la placa de la bomba, garantizando los tamaños adecuados de circuito y de cable para esta aplicación específica.

El National Electrical Code® (NEC®, NFPA-70) requiere que todos los circuitos de bomba de la piscina estén protegidos con un interruptor de falla a tierra (GFCI). Por lo tanto, también es responsabilidad del instalador eléctrico asegurarse de que el circuito de la bomba esté en el cumplimiento de éste y todos los demás requisitos aplicables del Código Eléctrico Nacional (NEC) y otros códigos aplicables a la instalación.

⚠ PRECAUCIÓN

No proporcionar el voltaje indicado en placa (dentro de un 10%) durante la operación causará que el motor se sobrecaliente y anulará la garantía.

Conexiones eléctricas y puesta a tierra

- Además de establecer la conexión a tierra según se describe en la sección Cableado eléctrico, y según los requerimientos del National Electrical Code (NEC) de Estados Unidos, o en Canadá el Canadian Electrical Code (CEC), el motor de la bomba debe estar conectado a todas las partes de metal de la piscina, spa o tina de hidromasaje y a todos los componentes eléctricos y equipos asociados con el sistema de circulación de agua de la piscina/spa.
- Las conexiones eléctricas y puesta a tierra deben realizarse mediante un conductor de cobre sólido n.º 8 AWG o más grande. En Canadá se debe utilizar el n.º 6 AWG o más grande. Conectar el motor utilizando la lengüeta puesta a masa provista en el marco del motor.

⚠ ADVERTENCIA

Siempre desconecte la fuente de alimentación antes de trabajar en un motor o su carga conectada.

⚠ ADVERTENCIA

Asegúrese de que el interruptor de control, reloj de tiempo, o el sistema de control estén instalados en un lugar accesible, de modo que en el caso de una falla del equipo o de tuberías, el equipo pueda ser apagado fácilmente. Este lugar debe ser un lugar distinto a donde se encuentra la bomba de la piscina, filtros y otros equipos.

⚠ PRECAUCIÓN

La bomba debe estar permanentemente conectada a un circuito eléctrico dedicado. Ningún otro equipo, luces, electrodomésticos, o tomas pueden estar conectados al circuito de la bomba, con la excepción de los productos que pueden ser necesarios para operar simultáneamente con la bomba, como un dispositivo de cloración o de calefacción.

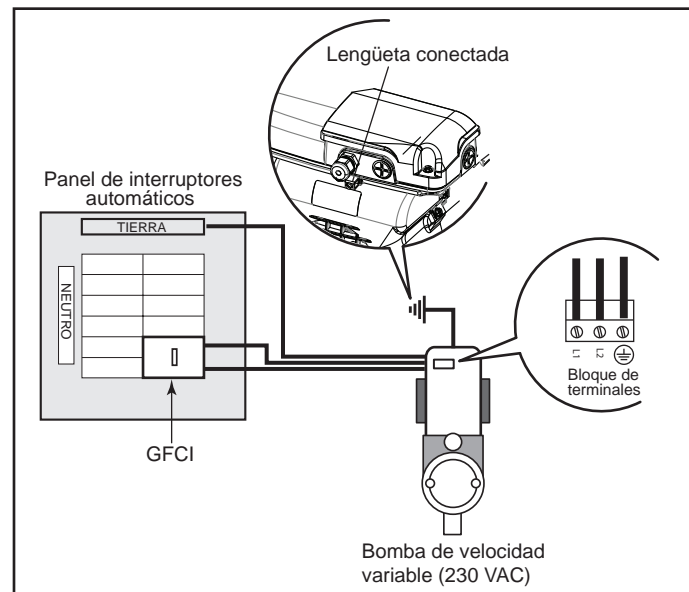


Figura 6. Conexión del motor

Cableado eléctrico

- El motor de la bomba debe ser puesto a tierra adecuadamente y de forma segura con el tornillo verde proporcionado. Complete el aterramiento antes de conectar al suministro de energía eléctrica. No conecte a tierra usando una tubería de suministro de gas.

- El tamaño del cable debe ser adecuado para minimizar la caída de tensión durante el arranque y funcionamiento de la bomba. Vea la Tabla 3 para los tamaños de cable sugeridos.
- Aísle todas las conexiones con cuidado para evitar cable a tierra o cortocircuitos. Los bordes afilados en los terminales requieren protección extra. Por razones de seguridad, y para evitar la entrada de contaminantes, reinstale todos los conductos y tapas de la caja de terminales. No fuerce las conexiones en la caja de conexiones.

NOTA Cuando solamente se administra el energía a esta bomba, no funcionará. Tiene que recibir una orden digital de un controlador de velocidad variable (JEP-R), o un controlador AquaLink® RS, o un AquaLink Pool Digital Assistant (PDA), o un AquaLink Z4™, para operar a una velocidad elegida.

Opciones del controlador de la VS FloPro

La bomba VS FloPro puede ser operada por uno (1) de cuatro (4) controladores: el controlador de velocidad variable JEP-R, el controlador AquaLink RS (Rev O o posterior), el AquaLink PDA (Rev 4.0 o posterior) o el AquaLink Z4. La bomba de velocidad variable VS FloPro se comunica con los controladores a través de una interfaz de cuatro alambres RS-485.

Opciones de instalación del controlador de la VSFHP1.0

Las bombas VS-FHP1.0, VSFHP165JEP, VS-FHP2.0 y VSFHP270JEP están preconfigurada con el controlador de velocidad variable JEP-R instalado y con el interruptor DIP preconfigurado para operar con este controlador. Las bombas VSFHP165AUT y VSFHP270AUT están preconfigurada para instalación con el AquaLink RS, AquaLink PDA o AquaLink Z4

Para instalar el controlador AquaLink RS (Rev O o posterior), un AquaLink PDA (Rev 4.0 o posterior), o un AquaLink Z4™:

- Corte la corriente de la bomba VS FloPro desconectando los cables de alto voltaje o desactivar cualquier interruptor de energía al cual esté conectada.

⚠ ADVERTENCIA

RIESGO DE CHOQUE ELÉCTRICO

Apague todos los interruptores y el interruptor principal en el circuito eléctrico de la bomba de velocidad variable antes de iniciar el procedimiento. El incumplimiento de esta recomendación puede causar un riesgo de electrocución, que puede dar como resultado lesiones personales severas e incluso la muerte.

- Retire un (1) tornillo y la cubierta de acceso para completar las conexiones eléctricas al motor.
- Para la VS-FHP1.0, deslice los interruptores 1 y 2 hacia abajo, quedando en la posición "OFF" (apagado). Si corresponde a su modelo de bomba DIP interruptor deslizante 5 hasta la posición de "ON" (encendido). Véase Figura 7.
- Seleccione las direcciones deseadas para la bomba estableciendo los interruptores DIP 3 y / o 4, como se muestra en la Sección 3.3, *Configuración de los interruptores DIP de la bomba VS FloPro*.

- Si está instalado el controlador de cable corto RS485 o JEP-R:
 - Desconecte el cable RS485 del cabezal de 4 pines de la unidad de la bomba.
Nota: No corte el cable o perderá la capacidad de volver a la configuración predeterminada de fábrica.
 - Conecte el cable nuevo RS-485 del AquaLink a través del aditamento de compresión disponible y pase el cable conductor tetrafilar a través del puerto roscado de la unidad del motor que esté más cerca al conector. Figura 7.
- Conecte el otro extremo del cable al conector RS-485 en el AquaLink® RS (o tarjeta de interfaz multiplexora), haciendo coincidir los colores de los alambres con las posiciones del conector de la siguiente manera: 1-rojo, 2-negro, 3-amarillo y 4-verde. Véase Figura 7.
- Restablezca el suministro de energía a la bomba y verifique el funcionamiento del controlador.
- Consulte el manual correspondiente para configurar y operar las bombas: Manual del propietario de AquaLink RS, 6593 o el Manual del propietario de AquaLink PDA, H0572300, o el Manual del propietario de AquaLink Z4™, H0386600.

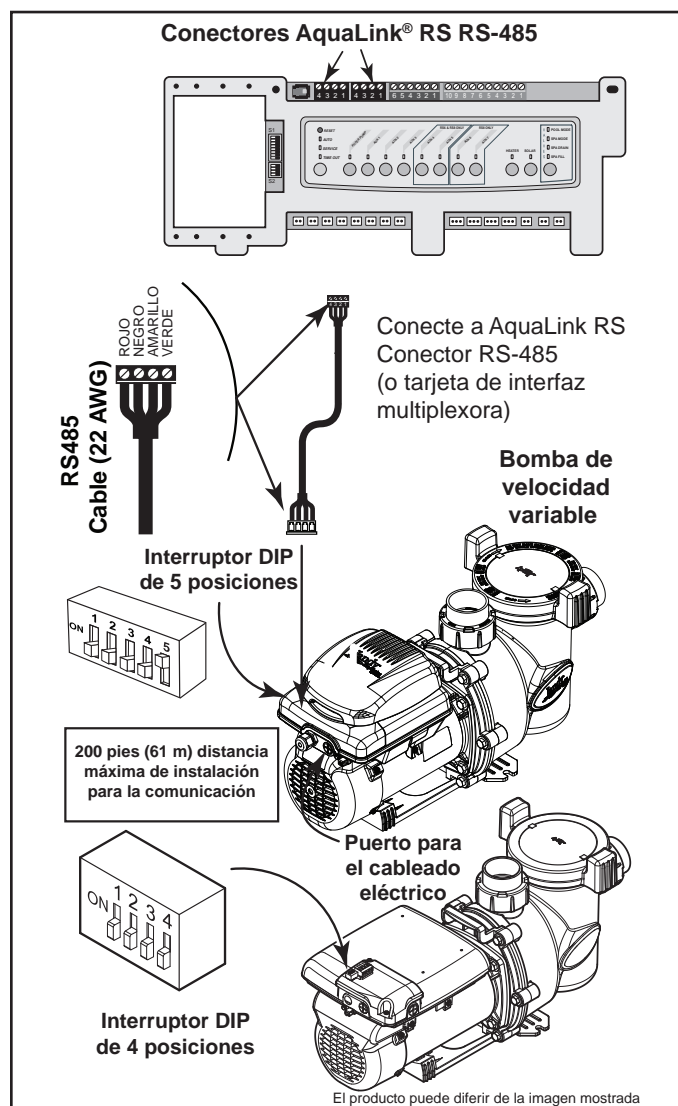


Figura 7. Cableado del controlador AquaLink RS o AquaLink PDA a la bomba VS-FHP1.0

Instalación remota de la JEP-R

El controlador de velocidad variable puede colocarse lejos en una superficie vertical protegida de la intemperie.

Siga las instrucciones cuidadosamente para mantener la capacidad de reinstalación del controlador de velocidad variable en la bomba. Siga estas instrucciones a la inversa para completar la reinstalación. Consulte la Figura 8.

⚠ ADVERTENCIA
RIESGO DE CHOQUE ELÉCTRICO

Apague todos los interruptores y el interruptor principal en el circuito eléctrico de la bomba de velocidad variable antes de iniciar el procedimiento. El incumplimiento de esta recomendación puede causar un riesgo de electrocución, que puede dar como resultado lesiones personales severas e incluso la muerte.

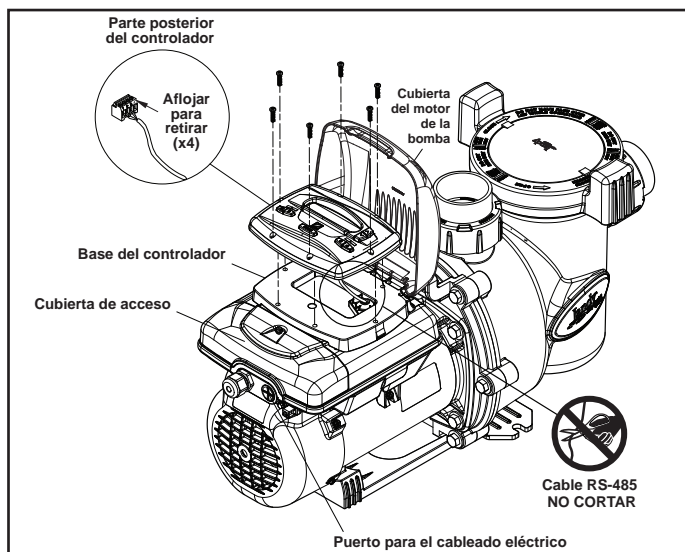


Figura 8. Desconecte el controlador de velocidad variable de la bomba

⚠ ADVERTENCIA

Al determinar rutas y protección para el cableado del controlador de velocidad variable, asegúrese de que se cumplan los requisitos de todos los códigos eléctricos locales y el National Electrical Code® (NEC®). Los requisitos del código NEC prohíben la planificación de ruta de cables de señal en conductos o pistas que se utilizan para conductores de ramal, de alimentación o de servicios. El NEC también proporciona instrucciones para la planificación de ruta de edificio a edificio de cables de señal con respecto a la protección contra rayos.

En la bomba :

1. Corte la corriente de la bomba desconectando los cables de alto voltaje o apagar o desactivar cualquier interruptor de energía al cual esté conectada.
2. Levante la cubierta del controlador de sus bisagras para acceder al controlador de velocidad variable.

3. Retire los seis (6) tornillos para desconectar el controlador de velocidad variable de la base del controlador en el motor de la bomba.
4. Desconecte el cable RS-485 que conecta la interfaz de usuario del controlador de velocidad variable a la base del controlador en el motor. No extienda de más el cable cuando aleje el controlador del motor.
5. Destornille los cuatro (4) terminales del conector y desconecte los alambres del conjunto de cables del motor.
Nota: No corte el cable o perderá la capacidad de volver a la configuración predeterminada de fábrica.
6. Guarde el alambre suelto en el bolsillo de la base del controlador. Este alambre se usará si se reinstala el controlador de velocidad variable a la bomba.
7. Asegure la cubierta del bolsillo y la junta con seis (6) tornillos a la base del controlador de velocidad variable en el motor.
8. Retire un (1) tornillo y la cubierta de acceso para completar las conexiones eléctricas al motor.
9. Inserte el extremo libre del cable RS-485 nuevo a través del aditamento de compresión y pase el cable conductor tetrafilar a través del puerto roscado de la unidad del motor que esté más cerca al conector.
10. Prepare el cable e inserte otro conector de 4 pines asegurándose de que los colores del alambre concuerden con la Figura 7.
11. Inserte el conector RS-485 al conector RS-485 correspondiente en el PCB del motor.
12. Asegure la tuerca de compresión alrededor del cable para asegurar el motor.
13. Verifique que la configuración del interruptor DIP concuerde con la Figura 7.
14. Reinstale la cubierta de acceso con el tornillo único retirado en el paso 8.

Siga las instrucciones del Manual de instalación de la interfaz del usuario del controlador de velocidad variable o del Manual del propietario (H0412200) para completar la instalación remota del controlador.

Para instalar el controlador de velocidad variable JEP-R:

IMPORTANTE

El instalador debe poner los interruptores 1 y 2 en "ON" (encendido) en la bomba VS-FHP 2.0 cuando se conecta con el controlador de velocidad variable

NOTA El número de pieza del controlador de velocidad variable es JEP-R

1. Corte la corriente de la bomba VS-FHP2.0 desconectando los cables de alto voltaje o abriendo cualquier interruptor de energía al cual esté conectada.

⚠ ADVERTENCIA
RIESGO DE CHOQUE ELÉCTRICO

Apague todos los interruptores y el interruptor principal en el circuito eléctrico de la bomba de velocidad variable antes de iniciar el procedimiento. El incumplimiento de esta recomendación puede causar un riesgo de electrocución, que puede dar como resultado lesiones personales severas e incluso la muerte.

2. Retire la cubierta de la caja terminal de la VS-FHP2.0 y pase el cable RS-485 por el aditamento.
3. Desconecte el conector RS-485 de la VS-FHP2.0.
4. Inserte los cuatro (4) cables del cable RS-485 al conector RS-485. Haga coincidir los colores de los cables con las posiciones del conector de la siguiente manera: 1- rojo, 2- negro, 3- amarillo y 4- verde. Véase Figura 9.
5. Inserte el conector RS-485 de nuevo en la VS-FHP2.0.
6. Para la VS-FHP2.0, deslice los interruptores DIP 1 y 2 hacia arriba, quedando en la posición “ON” (encendido) y los interruptores 3 y 4 hacia abajo, quedando en la posición “OFF”(apagado). Véase Figura 9.

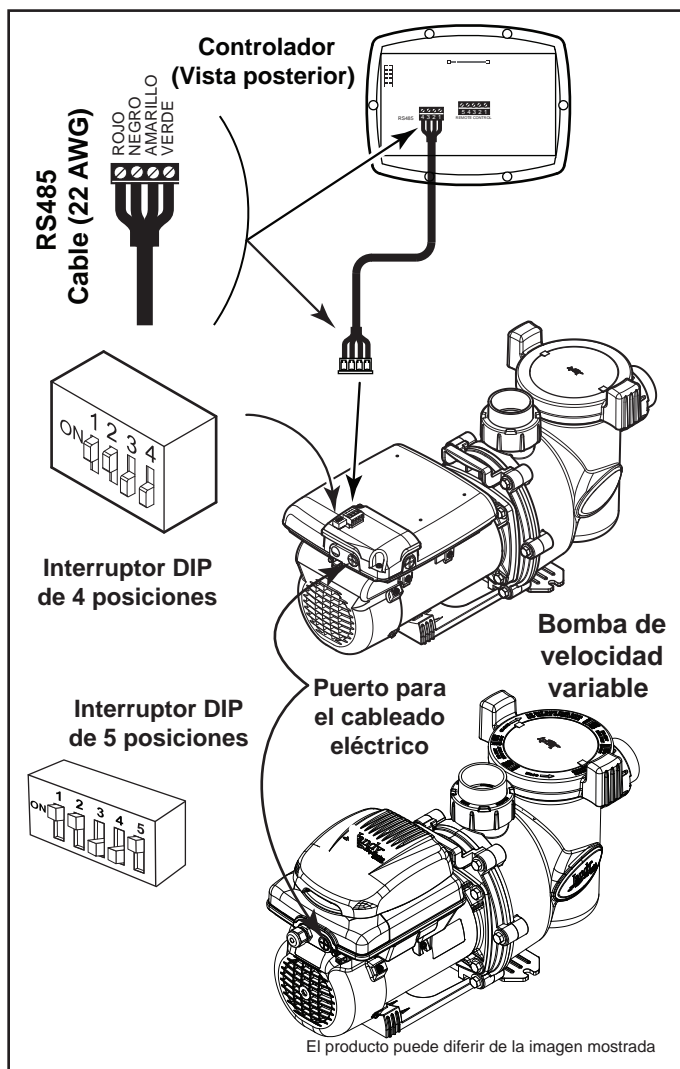


Figura 9. Cableado del controlador de velocidad variable (JEP-R)

7. Conecte el otro extremo del cable al controlador. Haga coincidir los colores de los alambres con las posiciones del conector apropiado de la siguiente manera: 1- rojo, 2- negro, 3- amarillo y 4- verde.
8. Restablezca el suministro de energía a la bomba VS-FHP2.0 y verifique el funcionamiento del controlador.

9. Consulte el manual del propietario del controlador de velocidad variable, el H0412200, para operar la bomba.

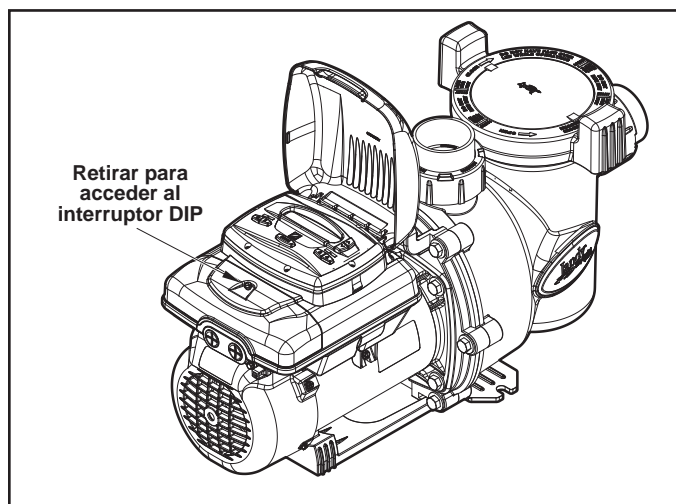


Figura 10. Cubierta de acceso del interruptor DIP en el motor de la VS-FHP1.0 y VSFHP165JEP

3.3 Configuración del interruptor DIP de la bomba VS FloPro

El interruptor DIP de 4 o 5 posiciones está en la parte posterior de la bomba VS FloPro. Este interruptor DIP tiene dos (2) funciones: selecciona la dirección de la bomba y determina qué tipo de controlador se puede utilizar con la bomba.

Tabla 4. Configuración del interruptor DIP de la VS-FHP1.0, VSFHP165AUT y VSFHP165JEP

Interruptor 1	Interruptor 2	Interruptor 5	Controlador
ON	ON	ON	Predeterminado de fábrica
OFF	OFF	ON	AquaLink® RS, AquaLink PDA o AquaLink Z4™
ON	ON	ON	Controlador de velocidad variable

Interruptor 3	Interruptor 4	Dirección de la bomba
OFF	OFF	BOMBA 1 (Predeterminado de fábrica)
ON	OFF	BOMBA 2
OFF	ON	BOMBA 3
ON	ON	BOMBA 4

Tabla 5. Configuración del interruptor DIP de la VS-FHP2.0, VSFHP270AUT y VSFHP270JEP

Interruptor 1	Interruptor 2	Controlador
OFF	OFF	Predeterminado de fábrica
OFF	OFF	AquaLink® RS, AquaLink PDA o AquaLink Z4™
ON	ON	Controlador de velocidad variable

Interruptor 3	Interruptor 4	Dirección de la bomba
OFF	OFF	BOMBA 1 (Predeterminado de fábrica)
ON	OFF	BOMBA 2
OFF	ON	BOMBA 3
ON	ON	BOMBA 4

3.4 Operación de carga auxiliar

Ciertos modelos de bombas poseen una barra terminal que permite que los usuarios accedan a un contacto de relé de carga auxiliar incorporado. Este contacto, generalmente abierto y seco, se activa bajo ciertas condiciones de operación y se utiliza principalmente para controlar dispositivos externos que requieren el caudal de agua del sistema para funcionar adecuadamente, tales como calentadoras, bombas de reforzador, clorinadores de agua salada, etc.

Véanse Figuras 9 y 10 para obtener más detalles sobre la ubicación del compartimento. Antes de proceder, se debe retirar la cubierta de acceso con tornillo Phillips.

Requisitos de conexión de la carga auxiliar

⚠ ADVERTENCIA

RIESGO DE CHOQUE ELÉCTRICO

Debido al riesgo potencial de incendio, choque eléctrico o lesiones corporales, Bombas Zodiac® y todas las cargas auxiliares debe ser instalado de acuerdo con el National Electrical Code® (NEC®), todos los códigos locales eléctricos y de seguridad, y la Ley de Seguridad y Salud Ocupacional (OSHA). Pueden solicitarse copias del código NEC a la National Fire Protection Association, 470 Atlantic Ave., Boston, MA 02210, o en la agencia gubernamental de inspección que corresponda.

En Canadá, las bombas Zodiac deben instalarse de acuerdo con el Canadian Electrical Code (CEC).

- Los contactos de relé de la carga auxiliar están clasificados como 230V/11A RMS. Asegúrese de que los elementos del equipo que deben conectarse a la carga auxiliar *no superen esta clasificación*.

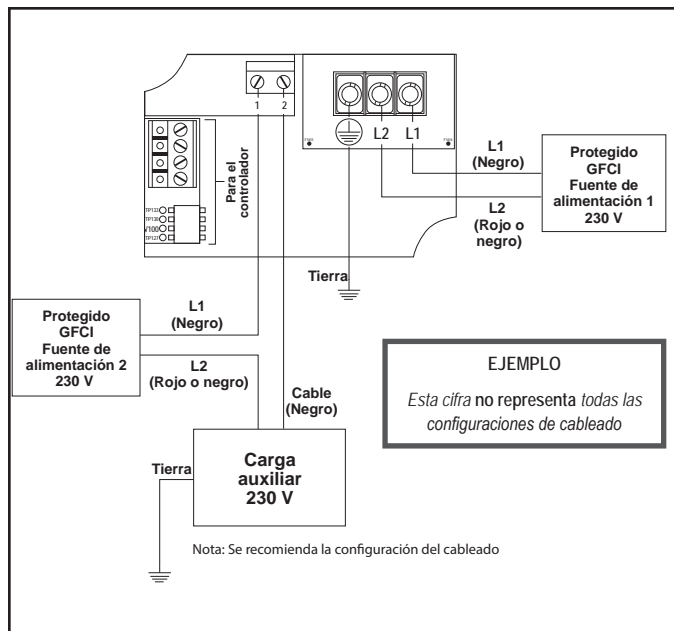


Figura 11. Diagrama de cableado de fuentes de alimentación separadas, carga auxiliar de 230 V

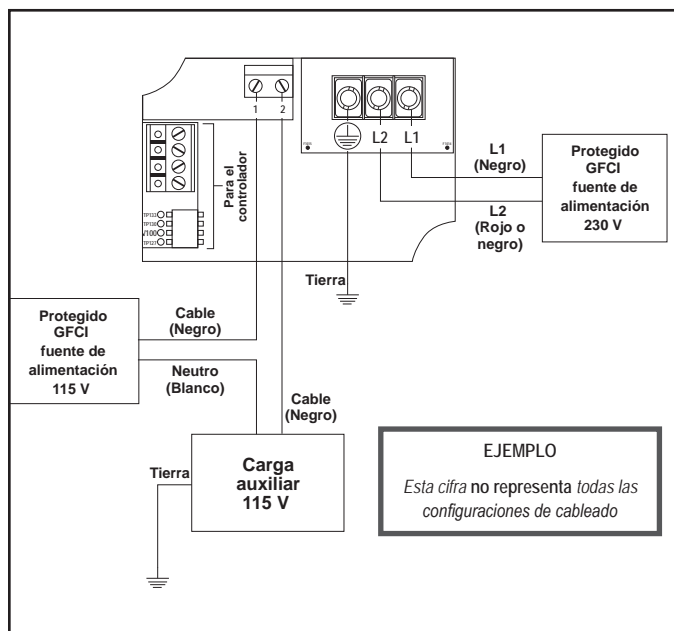


Figura 12. Diagrama de cableado de fuentes de alimentación separadas, carga auxiliar de 115 V

Características de operación de la carga auxiliar

La activación del contacto del relé de la carga auxiliar depende de la velocidad y funciona según se describe a continuación:

Cierre del contacto

A partir de un punto de inactividad, existe una demora de tres minutos antes de que el contacto de la carga auxiliar se cierre cuando la velocidad del motor alcanza por lo menos las 1725 RPM y se mantiene.

A partir de un punto de operación a menos de 1725 RPM, existe una demora de cinco segundos antes de que se cierre el contacto de la carga auxiliar cuando el motor alcanza y mantiene por lo menos 1725 RPM.

Apertura del contacto

Si la velocidad del motor es menor que 1725 RPM, el contacto de la carga auxiliar se abre. Las aperturas del contacto son siempre inmediatas.

3.5 Quite la tapa de la bomba

1. Asegúrese de que la bomba esté apagada.
2. Asegúrese de que el interruptor del disyuntor que acciona el motor de la bomba esté apagado.

⚠ ADVERTENCIA**RIESGO DE CHOQUE ELÉCTRICO**

Apague todos los interruptores y el interruptor principal en el circuito eléctrico de la bomba de velocidad variable antes de iniciar el procedimiento. El incumplimiento de esta recomendación puede causar un riesgo de electrocución, que puede dar como resultado lesiones personales severas e incluso la muerte.

⚠ ADVERTENCIA**RIESGO DE CHOQUE ELÉCTRICO**

Debido al riesgo potencial de incendio, choque eléctrico o lesiones corporales, las bombas Zodiac® se deben instalar de acuerdo con el National Electrical Code® (NEC®), todos los códigos locales eléctricos y de seguridad, y la Ley de Seguridad y Salud Ocupacional (OSHA). Pueden solicitarse copias del código NEC a la National Fire Protection Association, 470 Atlantic Ave., Boston, MA 02210, o en la agencia gubernamental de inspección que corresponda.

En Canadá, las bombas Zodiac deben instalarse de acuerdo con el Canadian Electrical Code (CEC).

3. Asegúrese de que todas las válvulas de aislamiento necesarias estén cerradas para evitar que el agua de la piscina llegue a la bomba.
4. Siguiendo las marcas en el anillo de cierre, gire el anillo hacia la izquierda hasta que la marca 'START' ('arranque') se alinee con los orificios. Véanse Figuras 13 y 14.
5. Retire con cuidado la tapa con anillo de cierre.

3.6 Realice una prueba de presión**⚠ ADVERTENCIA**

Cuando se presuriza un sistema con agua para probarlo, a menudo queda aire atrapado en el sistema durante el proceso de llenado. Este aire se comprime cuando el sistema está bajo presión. En caso de fallo del sistema, el aire atrapado puede disparar partículas a gran velocidad y causar lesiones. Se deben hacer todos los esfuerzos posibles para eliminar el aire atrapado durante el llenado de la bomba, incluido abrir la válvula de purga del filtro y aflojar la tapa de la canasta de la bomba.

⚠ ADVERTENCIA

El aire atrapado en el sistema puede ocasionar la expulsión de la tapa del filtro, lo que puede causar lesiones serias e incluso la muerte o daño a la propiedad. Asegúrese de que todo el aire haya sido correctamente purgado fuera del sistema antes de operar. **NO USE AIRE COMPRIMIDO PARA HACER PRUEBAS DE PRESIÓN O COMPROBAR SI HAY FUGAS.**

⚠ ADVERTENCIA**RIESGO DE CHOQUE ELÉCTRICO**

No pruebe con presiones mayores de 35 psi. La prueba de presión debe ser realizada por un profesional de piscinas calificado. Todo equipo de circulación que no se haya probado adecuadamente puede fallar, lo que podría provocar lesiones graves o daños materiales.

⚠ ADVERTENCIA

Cuando se realice la prueba de presión del sistema con agua, es muy importante asegurarse de que la tapa de la canasta de la bomba esté completamente segura.

1. Llene el sistema con agua, teniendo cuidado de eliminar el aire atrapado.
2. Presurice el sistema con agua a no más de 35 psi.
3. Cierre la válvula para atrapar agua presurizada en el sistema.
4. Observe el sistema para detectar fugas y/o caídas de presión.
5. Si hay fugas en la tapa, repita este procedimiento. Para acceder al Soporte Técnico de Zodiac, llame al número 800.822.7933 en EEUU.

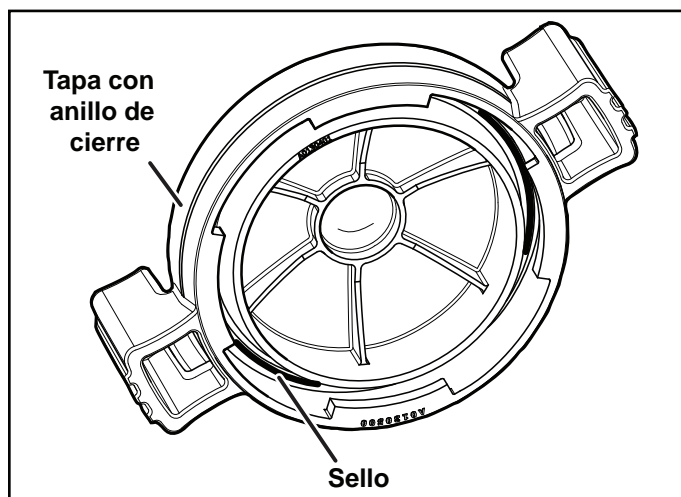


Figura 13. Anillo tórico en la tapa de montaje

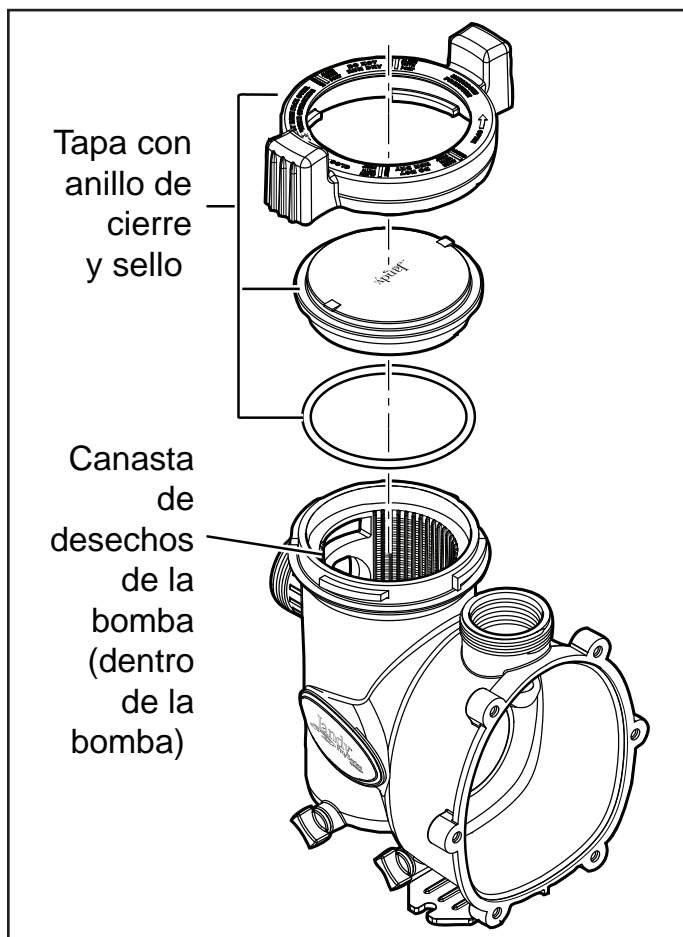


Figura 14. Plano de despiece de la bomba

Sección 4. Operación

4.1 Arranque

⚠ PRECAUCIÓN

Nunca haga funcionar la bomba sin agua. Hacer funcionar la bomba "en seco" por cualquier cantidad de tiempo puede causar graves daños a la bomba y al motor y anulará la garantía.

Si se trata de una piscina nueva, asegúrese de que toda la tubería esté libre de los residuos de construcción y que haya sido debidamente probada a presión. El filtro debe ser revisado para su correcta instalación, comprobando que todas las conexiones y abrazaderas estén aseguradas de acuerdo a las recomendaciones del fabricante.

⚠ ADVERTENCIA

Para evitar el riesgo de daños a la propiedad, lesiones personales graves o la muerte, verifique que la alimentación eléctrica esté apagada antes de iniciar este procedimiento.

1. Dependiendo de la ubicación de la bomba, haga una de las siguientes cosas:
 - Si la bomba se encuentra por debajo del nivel del agua de la piscina, abra la válvula de alivio de presión del filtro para cebar la bomba con agua.
 - Si la bomba se encuentra por encima del nivel del agua de la piscina, retire la tapa y llene la canasta con agua antes de arrancar la bomba.
2. Antes de sustituir la tapa, compruebe si hay residuos alrededor de la tapa del asiento de la junta tórica. Los residuos alrededor de la tapa del asiento de la junta tórica harán penetrar el aire en el sistema y dificultarán el cebado de la bomba.
3. Apriete a mano la tapa para propiciar un sello hermético. No utilice ninguna herramienta para apretar la tapa: sólo apriete a mano. Asegúrese de que todas las válvulas estén abiertas y las uniones estén apretadas.
4. Restablezca el suministro eléctrico a la bomba. A continuación, encienda la bomba siguiendo las instrucciones del manual correspondiente: Manual del propietario del controlador de velocidad variable, H0412200, Manual del propietario de AquaLink® RS, 6593, Manual del propietario de AquaLink PDA, H0572300, o Manual del propietario de AquaLink Z4™, H0386600.
5. Una vez que todo el aire haya salido del filtro, cierre la válvula de alivio de presión.
6. La bomba se deberá cebar. El tiempo que toma el cebado dependerá de la altura y la longitud de la tubería utilizada en el suministro de succión. Véase la Sección 3.1, *Recomendaciones de instalación*, para conocer las dimensiones de la tubería y su punto de elevación.

La velocidad predeterminada de cebado es de 2750 RPM. La bomba tardará aproximadamente de 14 a 15 minutos para cebar a esta velocidad de cebado cuando la bomba está ubicada a 10 pies (3.04 m) por encima del nivel del agua de la piscina. Si la velocidad de cebado se ajusta a 3450 RPM, la bomba debería cebar dentro de los 6 minutos a 10 pies (3.04 m) por encima del nivel del agua.

NOTA La bomba está certificada por la NSF por tener la capacidad de cebar a alturas de hasta 10 pies por encima del nivel del agua de la piscina, a nivel del mar. Sin embargo, para lograr un mejor autocebado, instale la bomba lo más cerca posible del nivel de agua de la piscina.

7. Si la bomba no se ceba y todas las instrucciones se han seguido hasta este punto, revise si hay una fuga de succión. Si no hay fugas, repita los pasos del 2 al 7.
8. Para obtener asistencia técnica, llame al Soporte Técnico de Zodiac® al número 800.822.7933.

Sección 5. Servicio y mantenimiento

⚠ PRECAUCIÓN

Para evitar que se dañe el plástico, no use lubricante o sellador en la junta tórica. Solo se puede usar agua jabonosa para instalar y lubricar la junta tórica.

5.1 Mantenimiento de rutina

Inspeccionar la canasta de filtro de la bomba mirando a través de la tapa transparente. Elimine todos los residuos, ya que a medida que los residuos se acumulan, comenzarán a bloquear el flujo de agua a través de la bomba. Mantener la canasta limpia para mejorar el rendimiento de la bomba.

1. Apague la alimentación eléctrica de la bomba. Si la bomba se encuentra por debajo del nivel del agua, cierre las válvulas de aislamiento en los lados de succión y descarga de la bomba para evitar el reflujos de agua.
2. Gire el anillo de cierre de la tapa hacia la izquierda hasta que "START" se alinee con los orificios. Retire la tapa cuidadosamente.

⚠ PRECAUCIÓN

Una cesta desalineada hará que la tapa no quede correctamente asentada, permitiendo fugas de aire que podrían resultar en daños a la bomba.

3. Levante la canasta de la bomba.
4. Deseche los residuos y limpie a fondo la canasta, asegurándose de que todos los orificios estén abiertos. Usando una manguera de jardín, rocíe la canasta desde afuera para ayudar a limpiar los orificios. Elimine todos los residuos restantes con la mano.
5. Vuelva a colocar la canasta de la bomba mediante la alineación de la abertura con el tubo de succión. Si está alineada correctamente, la canasta caerá fácilmente en su lugar. **No la fuerce.**
6. Examine la superficie de contacto de la junta de la tapa de cualquier residuo adjunto. Si se observa los escombros, retírela usando un trapo limpio para limpiar suavemente la superficie de contacto.
7. Vuelva a colocar la tapa con anillo de cierre. **Apriete a mano la tapa para hacer un sello hermético.** No utilice ninguna herramienta para apretar la tapa: sólo apriete a mano.
8. Verifique que todas las válvulas hayan regresado a la posición adecuada para el funcionamiento normal.
9. Abra la válvula de alivio de presión en el filtro, y asegúrese de que esté limpio y listo para funcionar.
10. Encienda la alimentación eléctrica de la bomba. Una vez que todo el aire haya salido del filtro, cierre la válvula de alivio de presión.

5.2 Preparación para el invierno

⚠ PRECAUCIÓN

La bomba debe protegerse cuando se anticipen temperaturas de congelación. Permitir que la bomba se congele causará daños graves y anulará la garantía.

⚠ PRECAUCIÓN

No use soluciones anticongelantes en los sistemas de piscina, spa, o jacuzzi. El anticongelante es altamente tóxico y puede dañar el sistema de circulación. La única excepción a esto es el propilenglicol. Para más información, consulte en su tienda proveedora de artículos de piscina/spa o póngase en contacto con una empresa calificada de servicios de piscina.

1. Drene toda el agua de la bomba, el equipo del sistema y las tuberías.
2. Retire los dos (2) tapones de drenaje. Almacene los tapones de drenaje en un lugar seguro y reinstálelos cuando la temporada de frío haya terminado. **Asegúrese de que no se pierdan los anillos tóricos de los tapones de drenaje.**
3. Mantenga el motor cubierto y seco. No cubra la bomba con plástico, esto creará condensación que puede dañarla.

NOTA Zodiac Pool Systems LLC recomienda que un técnico de servicio calificado o un electricista desconecte correctamente el cableado eléctrico en la caja terminal. Una vez que se retire la electricidad, afloje las dos (2) uniones y almacene la bomba bajo techo. Por razones de seguridad, y para evitar la entrada de contaminantes, reinstale todos los conductos y tapas de la caja de terminales.

4. Cuando el sistema se vuelva a abrir para su funcionamiento, llame a un técnico calificado o un electricista para que se asegure de que todas las tuberías, válvulas, cableado y el equipo estén de acuerdo con las recomendaciones del fabricante. Preste mucha atención a las conexiones eléctricas y el filtro.
5. La bomba debe ser cebada antes de comenzar. Véase la Sección 4.1, Arranque.

Sección 6. Localización de averías y reparación

Zodiac® le recomienda que llame a un técnico calificado para realizar cualquier reparación en el sistema de filtro/bomba. Para localizar a un técnico calificado, consulte las páginas amarillas o visite www.zodiacpoolsystems.com o www.zodiacpoolsystems.ca y haga clic sobre “Buscar distribuidor”.

Síntoma	Posible causa y solución
El sistema de limpieza/circulación no está funcionando correctamente.	<p>Verifique que las canastas de rebose, cesta de la bomba y otras pantallas estén limpias. Límpielas de ser necesario.</p> <p>Revise el filtro y límpielo de ser necesario.</p> <p>Revise las posiciones de la válvula. Ajustelas de ser necesario.</p> <p>NOTA Múltiples equipos funcionando a la vez (por ejemplo, cascadas, chorros de spa y retornos superficiales) afectarán el funcionamiento correcto del sistema de limpieza.</p> <p>Consulte el manual del sistema de limpieza para asegurarse de que el sistema se ajuste a las recomendaciones del fabricante.</p>
Hay burbujas en la canasta de la bomba.	<p>Hay aire está en el sistema. Compruebe el nivel de agua de la piscina o spa para asegurarse de que está en el nivel adecuado y que el aire no se está elaborando en la tubería de succión. Apague la bomba Si el agua está en el nivel normal. Gire el anillo de bloqueo hacia la izquierda de la tapa hasta ‘START’ se alinea con los puertos. Retire la tapa y hacer una inspección visual de la junta de la tapa en busca de grietas o huecos en la superficie de goma. Utilice un trapo limpio para limpiar la superficie Si no se observan daños (nota: el trapo puede mostrar material negro que salió de la junta de la tapa). Utilice el trapo de nuevo para limpiar la superficie de contacto de la carcasa. El uso de una cantidad muy pequeña de lubricante de silicona (sin vaselina) ayudará a hacer un sello adecuado y proteger la junta de la tapa. Alinear ‘START’ con los puertos y gire el anillo de bloqueo hacia la derecha hasta ‘LOCKED’ se alinea con los puertos. Apriete a mano la tapa para hacer un sello hermético. No utilice herramientas para apretar la tapa. Encienda la bomba de nuevo. Si el problema no se resuelve, puede ser necesario reemplazar el sello de la tapa.</p>
Las fugas de aire persisten.	<p>Compruebe la unión del lado de succión de la tubería. Con la bomba en funcionamiento, trate de apretar la unión. Si esto no detiene la fuga de aire, apague la bomba. Afloje ambas uniones y quite la bomba deslizándola. Extraiga, limpie y vuelva a instalar tanto la unión como la junta tórica.</p> <p>Vuelva a colocar la bomba al lado de la tubería y asegure las tuercas de unión a la bomba. Con las juntas tóricas de unión limpias, el apretado manual será suficiente para crear el sello. Si las uniones aún no sellan, apriete suavemente con un alicate extensible.</p> <p>No apriete demasiado.</p>
No hay aire en el sistema, pero la presión sigue siendo baja.	<p>Es posible que haya residuos atrapados en el impulsor de la bomba. El impulsor de la bomba mueve el agua y las paletas de la turbina pueden bloquearse con residuos. Véase la Sección 6.1, <i>Servicio técnico de mantenimiento e impulsor bloqueado</i>, en este manual para mayor información.</p>

Síntoma	Posible causa y solución
<p>No hay residuos en el impulsor y la presión aún es baja.</p>	<p>El impulsor de la bomba y el difusor están mostrando señales de desgaste normal. Permita que un técnico de servicio calificado revise el impulsor y el difusor y los reemplace si es necesario.</p> <p>Si la bomba es parte de una instalación relativamente nueva, podría ser un problema eléctrico. Contacte a un técnico calificado. Permita que el técnico verifique si hay conexiones eléctricas sueltas y que compruebe el voltaje en el motor con la bomba en funcionamiento. El voltaje debe estar dentro del 10% de los datos indicados en su placa de datos. Si el voltaje no está dentro del 10%, comuníquese con un electricista calificado y/o el proveedor del servicio eléctrico local.</p> <p>El sello de la bomba tiene fugas de aire. Permita que un técnico de servicio calificado reemplace el sello.</p>
<p>La bomba tiene una fuga de agua entre el motor y el cuerpo de la bomba.</p>	<p>Esto es causado por un sello mecánico dañado. Sustituya el sello.</p>
<p>La bomba se calienta y se apaga de forma periódica.</p>	<p>Asegúrese de que haya suficiente espacio alrededor del motor para que el aire circule y mantenga fresco el motor. Permita que el técnico verifique si hay conexiones eléctricas sueltas y que compruebe el voltaje en el motor con la bomba en funcionamiento. El voltaje debe estar dentro del 10% de los datos indicados en su placa de datos. Si el voltaje no está dentro del 10%, comuníquese con un electricista calificado y/o el proveedor del servicio eléctrico local.</p>
<p>La bomba no arranca.</p>	<p>No hay energía hacia la bomba.</p> <p>Asegúrese de que la bomba esté correctamente conectada a alta tensión. Véase la Sección 3.2, <i>Instalación eléctrica</i>, en este manual.</p> <p>Cableado inadecuado de bajo voltaje.</p> <p>Revise si hay cableado de bajo voltaje entre la bomba y el controlador. Corrijalo si es necesario. Véase la Sección 3.2, <i>Instalación eléctrica</i>, en este manual.</p> <p>Colocación incorrecta de la dirección de la bomba.</p> <p>Asegúrese de que los interruptores DIP 3 y 4 de la bomba se hayan configurado correctamente para la instalación. Ambos deben estar en "OFF" (apagado) para su uso con el controlador de velocidad variable o configurados en la dirección correcta cuando se conectan a un controlador AquaLink® RS , un AquaLinkPDA o un AquaLink Z4™. Véase la Sección 3.3, <i>Configuración de los interruptores DIP de la bomba</i>, en este manual. Nota: La VS-FHP1.0 y VSFHP165JEP siempre debe tener la configuración 5 del interruptor DIP establecida en "ON" (encendido) para ambos controladores.</p> <p>Hay una condición de falla.</p> <p>Vea el mensaje de error en el controlador y corrija la falla antes de continuar. Si no tiene certeza de cómo corregir la falla, contacte al Soporte Técnico de Zodiac® llamando al número 800.822.7933 en EEUU.</p>
<p>La pantalla LCD del controlador de velocidad variable no muestra la información</p> <p>o</p> <p>Las lucecitas de la bomba no están encendidas.</p>	<p>Regulación incorrecta de los interruptores DIP.</p> <p>Asegúrese de que ambos interruptores DIP 1 y 2 estén en "ON" (encendido) si el controlador es JEP-R y que ambos interruptores DIP 1 y 2 estén en "OFF" (apagado) si el controlador es un PDA, un AquaLink® RS o un AquaLink Z4™. Véase la Sección 3.3, <i>Configuración de los interruptores DIP de la bomba VS-FHP</i>, en este manual. Nota: La VS-FHP1.0 & VSFHP165JEP siempre debe tener la configuración 5 del interruptor DIP establecida en "ON" (encendido) para ambos controladores.</p> <p>Cableado inadecuado de bajo voltaje.</p> <p>Revise si hay cableado de bajo voltaje entre la bomba y el controlador. Corrijalo si es necesario. Véase la Sección 3.2, <i>Instalación eléctrica</i>, en este manual.</p>

Síntoma	Posible causa y solución
El controlador indica "Pump not connected" ("Bomba no conectada").	Cableado inadecuado de bajo voltaje. Revise si hay cableado de bajo voltaje entre la bomba y el controlador. Corrijalo si es necesario. Véase la Sección 3.2, <i>Instalación eléctrica</i> , en este manual.
	Colocación incorrecta de la dirección de la bomba. Asegúrese de que los interruptores DIP 3 y 4 de la bomba se hayan configurado correctamente para la instalación. Ambos deben estar en "OFF" (apagado) para su uso con el controlador de velocidad variable o configurados en la dirección correcta cuando se conectan a un controlador AquaLink RS, un AquaLink PDA o un AquaLink Z4. Véase la Sección 3.3, <i>Configuración de los interruptores DIP de la bomba VS-FHP</i> , en este manual. Nota: La VS-FHP1.0 siempre debe tener la configuración 5 del interruptor DIP establecida en "ON" (encendido) para ambos controladores.
Aparece un mensaje de error en la pantalla del controlador.	Hay una condición de falla. Vea el mensaje de error en el controlador y corrija la falla antes de continuar. Si no tiene certeza de cómo corregir la falla, póngase en contacto con el Soporte Técnico de Zodiac llamando al número 800.822.7933 en EEUU.

6.1 Servicio de mantenimiento por un técnico

PRECAUCIÓN

Este producto debe ser instalado y mantenido por un técnico profesional de mantenimiento, especializado en piscinas/spas. Los procedimientos indicados en este manual se deben seguir al pie de la letra. La instalación o el funcionamiento inadecuados pueden crear riesgos eléctricos peligrosos, que pueden causar altos voltajes a través del sistema eléctrico. Esto puede ocasionar daños a la propiedad, lesiones personales e incluso la muerte. La instalación y/o la operación incorrectas serán causa de anulación de la garantía.

Impulsor bloqueado

ADVERTENCIA

Antes de reparar la bomba, apague los disyuntores en la propia la fuente de alimentación eléctrica. Graves lesiones personales o la muerte pueden ocurrir si tiene la mano dentro de la bomba al encenderla.

1. Apague la bomba. Apague el disyuntor del motor de la bomba.
2. Retire la tapa y la canasta.
3. Busque residuos dentro de la bomba. Retire los residuos encontrados adentro.
4. Vuelva a colocar el cesto y la tapa.
5. Encienda el disyuntor del motor de la bomba.
6. Encienda la bomba, y vea si el problema está resuelto.
7. Si el impulsor sigue bloqueado con residuos y no es posible eliminarlos con los pasos 2 a 4, la bomba tendrá que ser desmontada para acceder a la entrada y la salida del impulsor.

Sección 7. Especificaciones del producto y datos técnicos

7.1 Lista de piezas de repuesto y plano de despiece

Para ordenar o comprar piezas para las bombas Zodiac®, contacte a su distribuidor Zodiac más cercano. Si el concesionario Zodiac no le puede proporcionar lo que usted necesita, póngase en contacto con Soporte Técnico de Zodiac llamando al teléfono 1.800.822.7933 o envíe un mensaje de correo electrónico a productsupport@zodiac.com.

Clave N°	Descripción	Pedido N° de pieza
1	Motor, Unidad, VS-FHP2.0 y VSFHP270AUT	R0562201
1	Motor, Unidad, VS-FHP1.0, VSFHP165JEP	R0571000
1	Motor, Unidad, VSFHP165AUT	R0670400
2	Placa posterior, (placa posterior con herrajes, anillo tórico de la placa posterior y sello mecánico)	R0479500
3	Impulsor, (impulsor, tornillo con junta tórica) VS-FHP2.0	R0479605
3	Impulsor, (impulsor, tornillo con junta tórica) VS-FHP1.0	R0479603
4	Difusor, (difusor con el anillo tórico, herrajes y anillo tórico de la placa posterior)	R0479701
5	Sellos mecánicos de carbón y cerámica (1 juego)	R0479400
6	Cuerpo de la bomba (cuerpo y anillo tórico de la placa posterior)	R0479800
7	Base de soporte del motor	R0479900
8	Tapa con anillo de bloqueo, (tapa con anillo de bloqueo y anillo de bloqueo)	R0480000
9	Bomba de residuos y canasta filtro	R0480100
10	Tapón de drenaje con anillo tórico (juego de 2)	R0446000
11	Pieza de cola, tuerca de unión y anillo tórico (juego de 2)	R0327301
12	Anillo tórico de la tapa	R0480200
13	Anillo tórico de la placa posterior	R0480300
14	Anillo tórico de la pieza de la parte trasera (Juego de 2)	R0337601
15	Herraje del difusor/impulsor (anillo tórico del difusor, tornillos (2), tornillo de sello)	R0480400
16	Herraje de la placa posterior (placa posterior y su anillo tórico)	R0480500
17	Conjunto de herrajes para el motor	R0446700
18	Conjunto de la base de la bomba	R0486700
19	Cubierta del ventilador, conjunto de reemplazo de GEN II (herraje, cubierta)	R0562400
20	Herrajes del control de velocidad, GEN II	R0562500
21	Conector, control de velocidad, bomba VS-FHP (Conector de 4 pines)	R0660900
22	Cable, RS485, kit de repuesto	R0535100
23	Tornillo con anillo tórico	R0515400
24	Cubierta, grande, control de velocidad con junta, GEN II	R0562300
25	Espaciador de base, FHP, VS-FHP, juego de reemplazo	R0546400
26	Cable de datos, Alimentación	R0501100
27	Juego de reemplazo de las bombas de velocidad variable y de la interfaz del usuario	JEP-R
28	Cubierta, Controlador, VS-FHP 1.0	R0571500
29	Cubierta del ventilador, VS-FHP1.0	R0571300
30	Cubierta de acceso, VS-FHP1.0	R0571400
31	Tornillos de la interfaz del usuario, VS-FHP1.0	R0571600
32	Aditamento de conducto, 1/2 NPT, VS-FHP1.0	R0501101
33	Tornillo de la cubierta del acceso posterior, VS-FHP1.0	R0587600

7.2 Despieces detallados

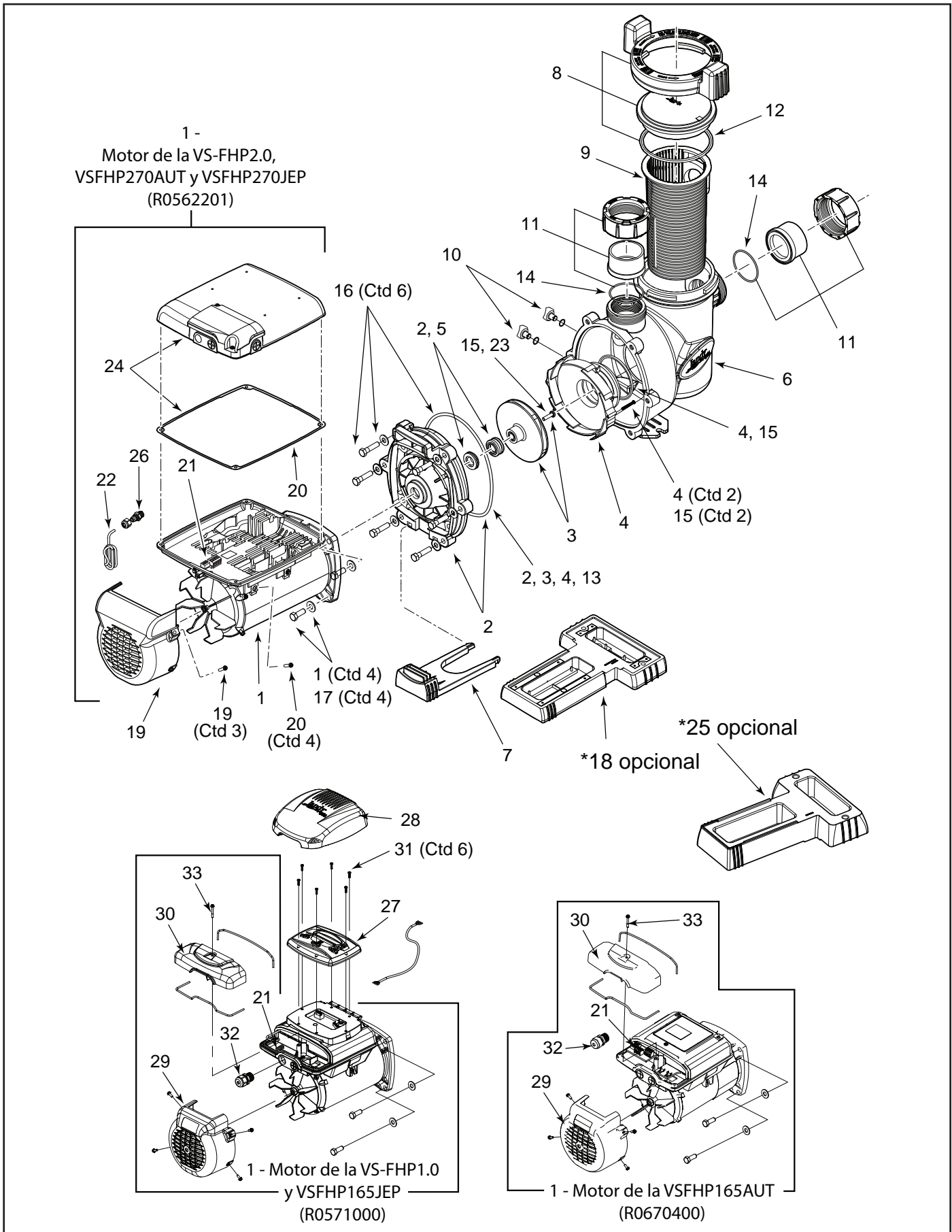
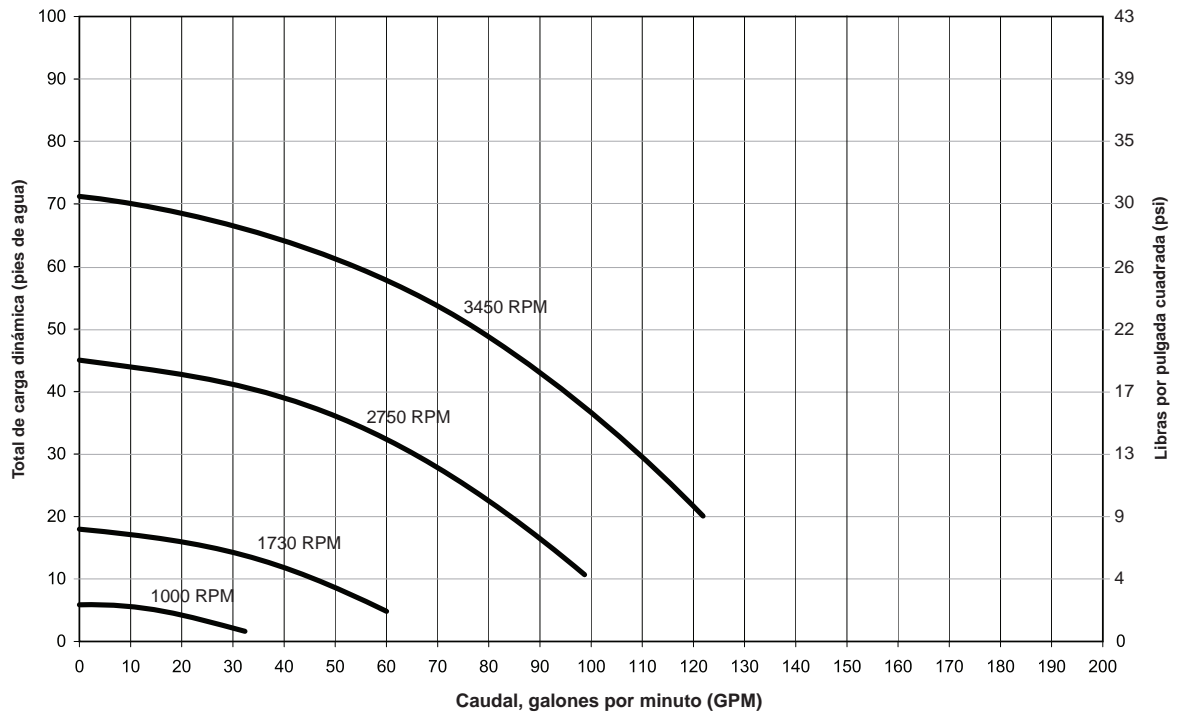


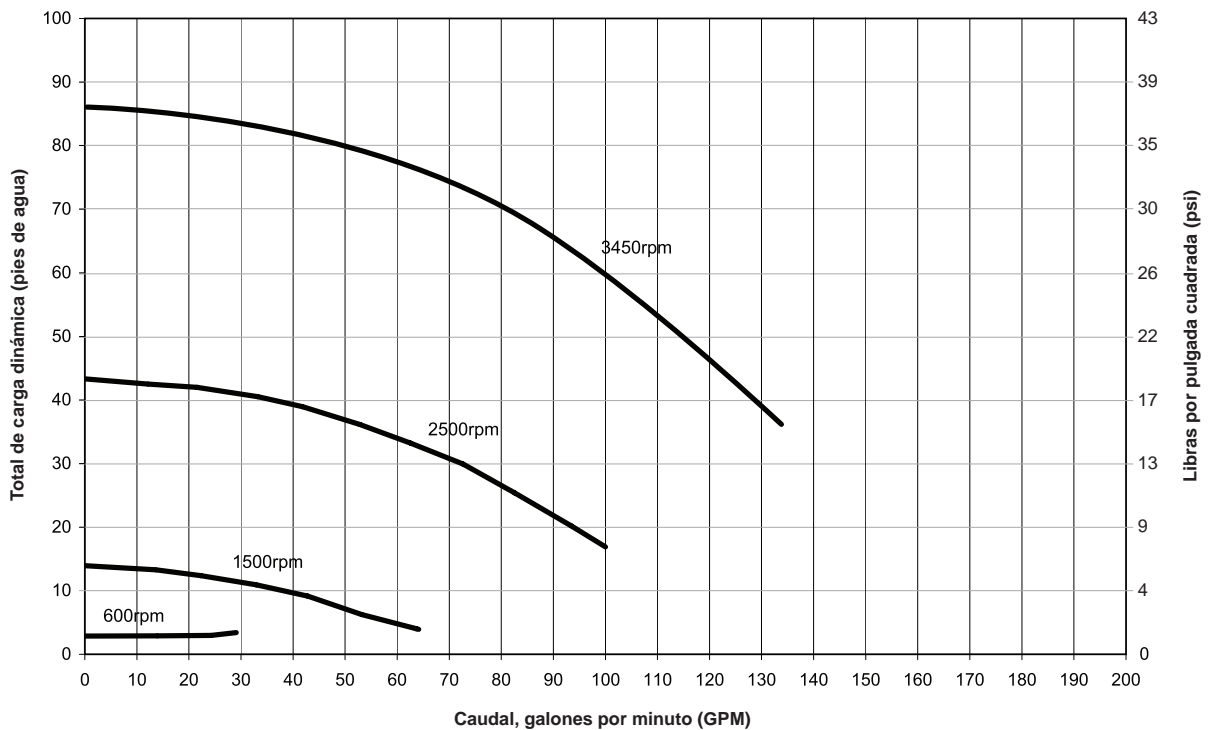
Figura 15. Plano de despiece de las bombas Serie VS FloPro

7.3 Curvas de rendimiento

Curvas de rendimiento de la bomba
Serie Pro Serie VS FloPro VS-FHP1.0, VSFHP165AUT y VSFHP165JEP de Jandy



Curvas de rendimiento de la bomba
Serie Pro Serie VS FloPro VS-FHP2.0, VSFHP270AUT y VSFHP270JEP de Jandy



7.4 Especificaciones físicas y operacionales

Especificaciones

N° de modelo	HP	Voltaje	Máximo de vatios	Tamaño de la tubería	Peso de la caja	Longitud total 'A'
VS-FHP1.0, VSFHP165AUT Y VSFHP165JEP	1.0	230 VAC	1,600W	2 - 2½" (51 a 63 mm)	46 lbs.	64 cm (25.2")
VS-FHP2.0, VSFHP270AUT Y VSFHP270JEP	2.0	230 VAC	2,400 W	2½ - 3" (63 a 76 mm)	56 lbs.	69 cm (27.2")

7.4.2 Dimensiones

NOTA Cuando instale la bomba, deje un mínimo de dos (2) pies (30 cm) de espacio libre por encima de la bomba para la extracción de la canasta del depurador.

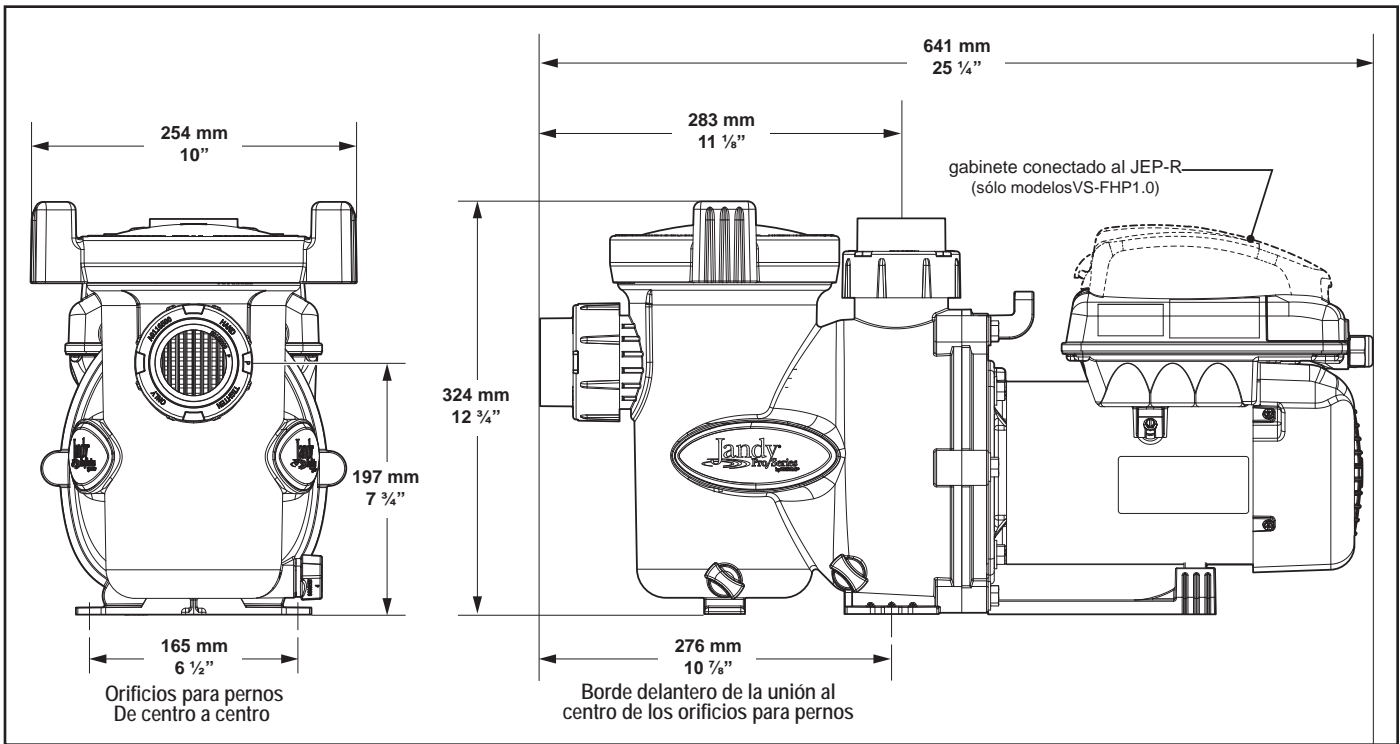


Figura 16. Dimensiones de la VS-FHP1.0 y VSFHP165AU

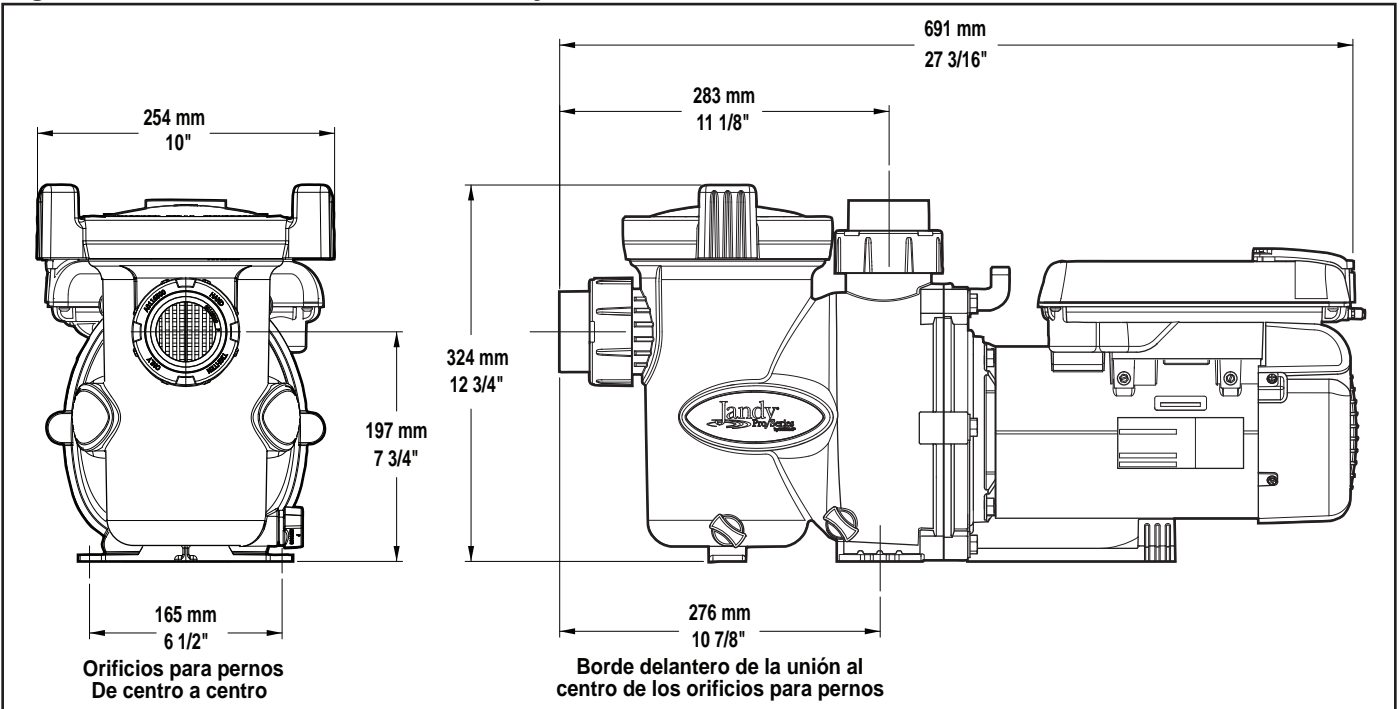


Figura 17. Dimensiones de la VS-FHP2.0 y VSFHP270AU

Zodiac Pool Systems LLC
2620 Commerce Way, Vista, CA 92081
1.800.822.7933 | www.ZodiacPoolSystems.com

Zodiac Pool Systems Canada, Inc.
2-3365 Mainway, Burlington, Ontario L7M 1A6
+ 1 (888) 647-4004 | www.ZodiacPoolSystems.ca

©2017 Zodiac Pool Systems LLC. ZODIAC® es una marca registrada de Zodiac International, S.A.S.U., utilizada bajo licencia. Todas las marcas registradas mencionadas en este documento son propiedad de sus respectivos propietarios.

H0420400 REVH



ETL LISTED
CONFORMS TO
UL STD 1081

Intertek



Certified to
CAN/CSA STD
C22.2 No. 108

Certified to
NSF/ANSI Standard 50

