



VERDON VS

CONNECT WITH ENERGY EFFICIENCY



MAXIMUM PERFORMANCE, MINIMUM CONSUMPTION

The 3 speed settings on the VERDON VS pump deliver **optimum power consumption, with savings of up to 80%**, whilst adjusting the pump speed to the characteristics of each pool.



SHHHH... JUST HEAR THE SOUND OF WATER

The VERDON VS pump is **up to 12 dB(A) quieter** than a standard filter pump.



YOU HAVE THE CONTROL, WHEREVER YOU ARE AND WHENEVER YOU WANT

There is an **LCD control screen** for easy pump set-up and control. What's more, the **Fluidra Pool App** enables you to control the VERDON VS from your mobile phone whenever you want and wherever you are.



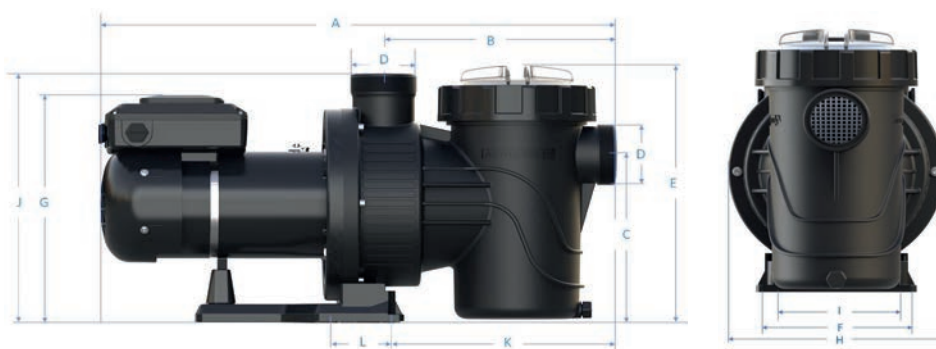
TECHNICAL SPECIFICATIONS



CODE	MODEL	Voltage	Nominal Flow Rate	Nominal Height	Maximum Height	Maximum flow rate	Motor Power	Maximum Power	Pipe Size D
		UN V	QN	HN m	HMAX. m	QMAX. m ³ /h	P2N kW	P1MAX kW	
75361	VS 100	230	15.5	10.0	16.0	23.0	0.75	0.99	D50
75362	VS 200	230	25.0	10.0	17.0	32.5	1.49	1.59	D63

	75361			75362		
	LS	MS	HS	LS	MS	HS
SPEED [%]	50	75	100	50	75	100
VOLTAGE [V]	230			230		
FREQUENCY [Hz]	50			50		
MOTOR POWER [kW]	0.75			1.49		
MAXIMUM POWER [kW]	0.17	0.47	0.99	0.24	0.73	1.59
FLOW RATE [m ³ /h]	7.9	11.8	15.5	12.7	19.1	25.0
DIFFERENTIAL HEIGHT [m]	2.6	5.8	10.0	2.6	5.8	10.0
MAXIMUM PRESSURE [m]	4.1	9.3	16.0	4.4	9.9	17.0
NOISE [dBA]	48	58	66	49	59	68

DIMENSIONS



CODE	A	B	C	D	E	F	G	H	I	J	K	L
75361	623	280	220	2 3/4" BSP	338	175	326	254	142	326	265	91
75362	623	280	220	2 3/4" BSP	338	175	326	254	142	326	265	91

PERFORMANCE

