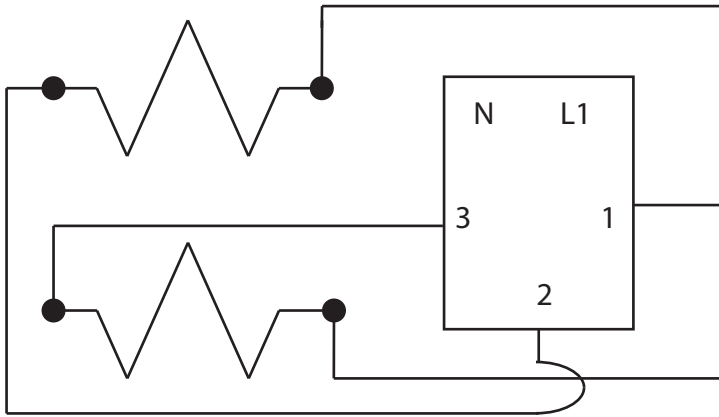
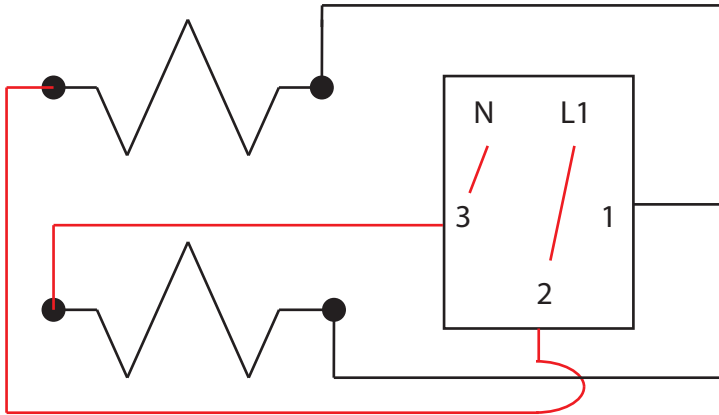


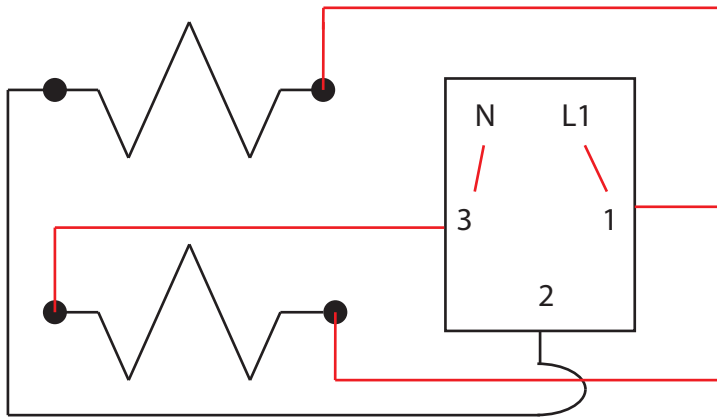
Skutt Three Heat Switch for 2 and three section kilns on 208/240v supply with no Neutral Wire



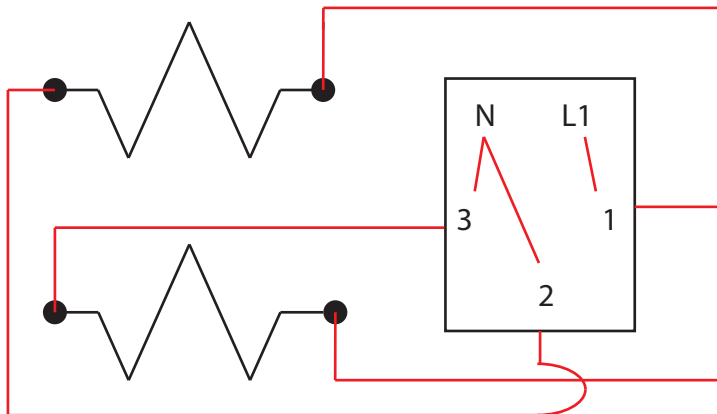
Skutt three heat switch on 240/208volt kilns with no neutral wire



Switch is on "Low"
Both elements in the section are on.
Each element is producing approximately 25% of possible power.



Switch is on "Medium"
Bottom element in the section is on and top element is off.
Bottom element is producing 100% of possible heat.



Switch is on "High"
Both elements are on and produce 100% of possible heat