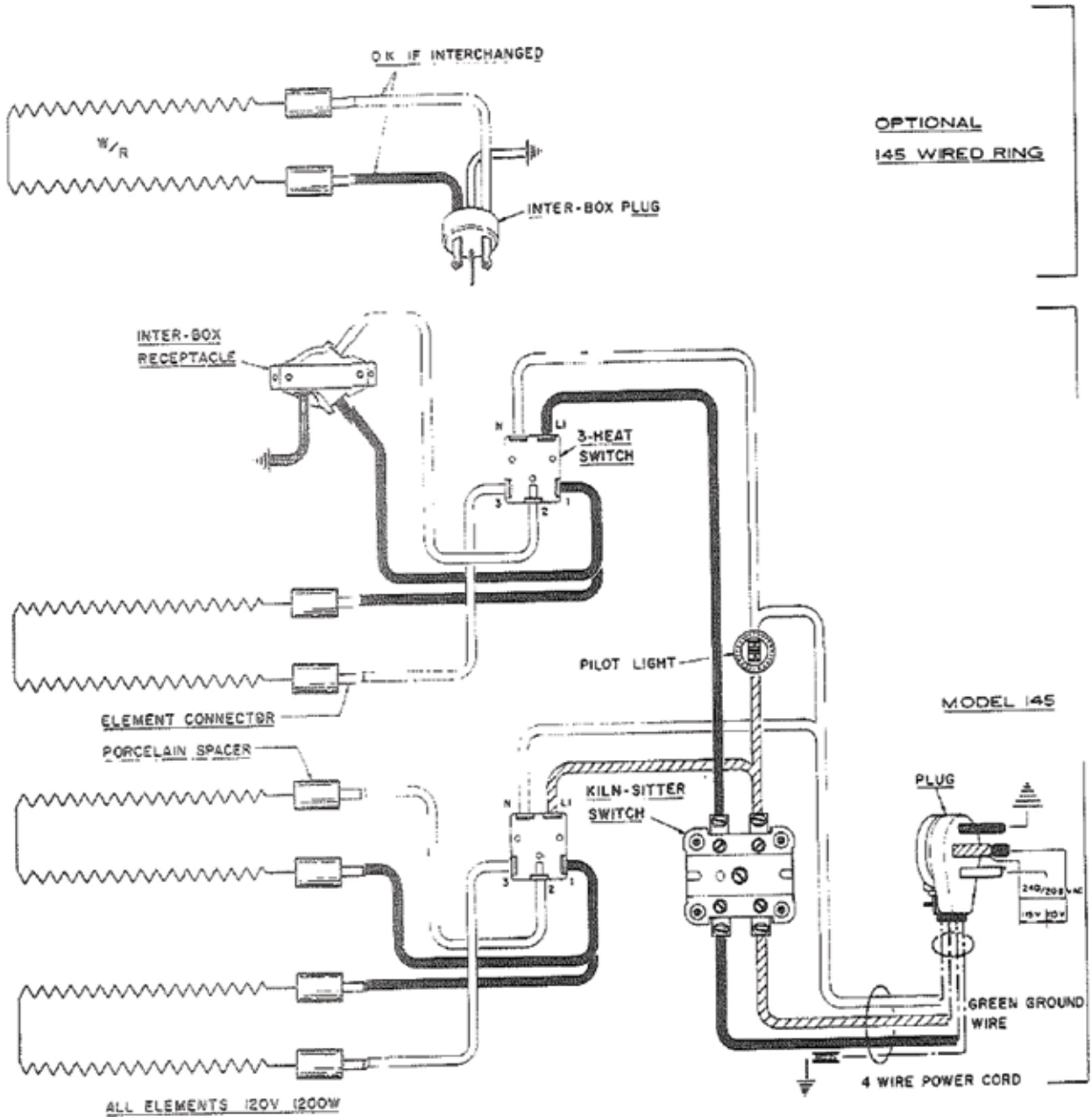




145

WIRING DIAGRAM



NOTE:
 Top element is not energized on low heat unless optional WIRED RING is installed.

WIRING DIAGRAMS