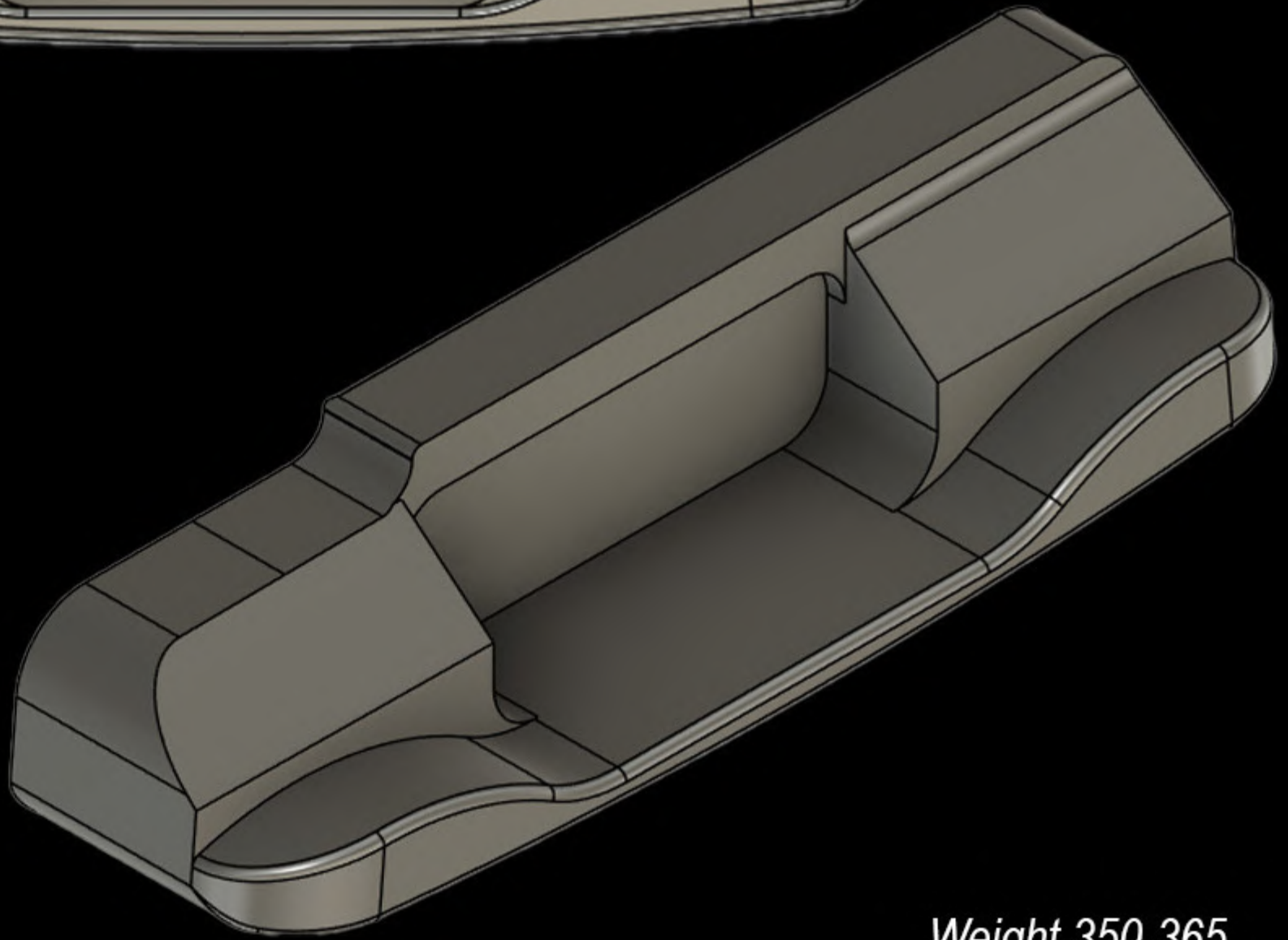


# THE DESIGNER



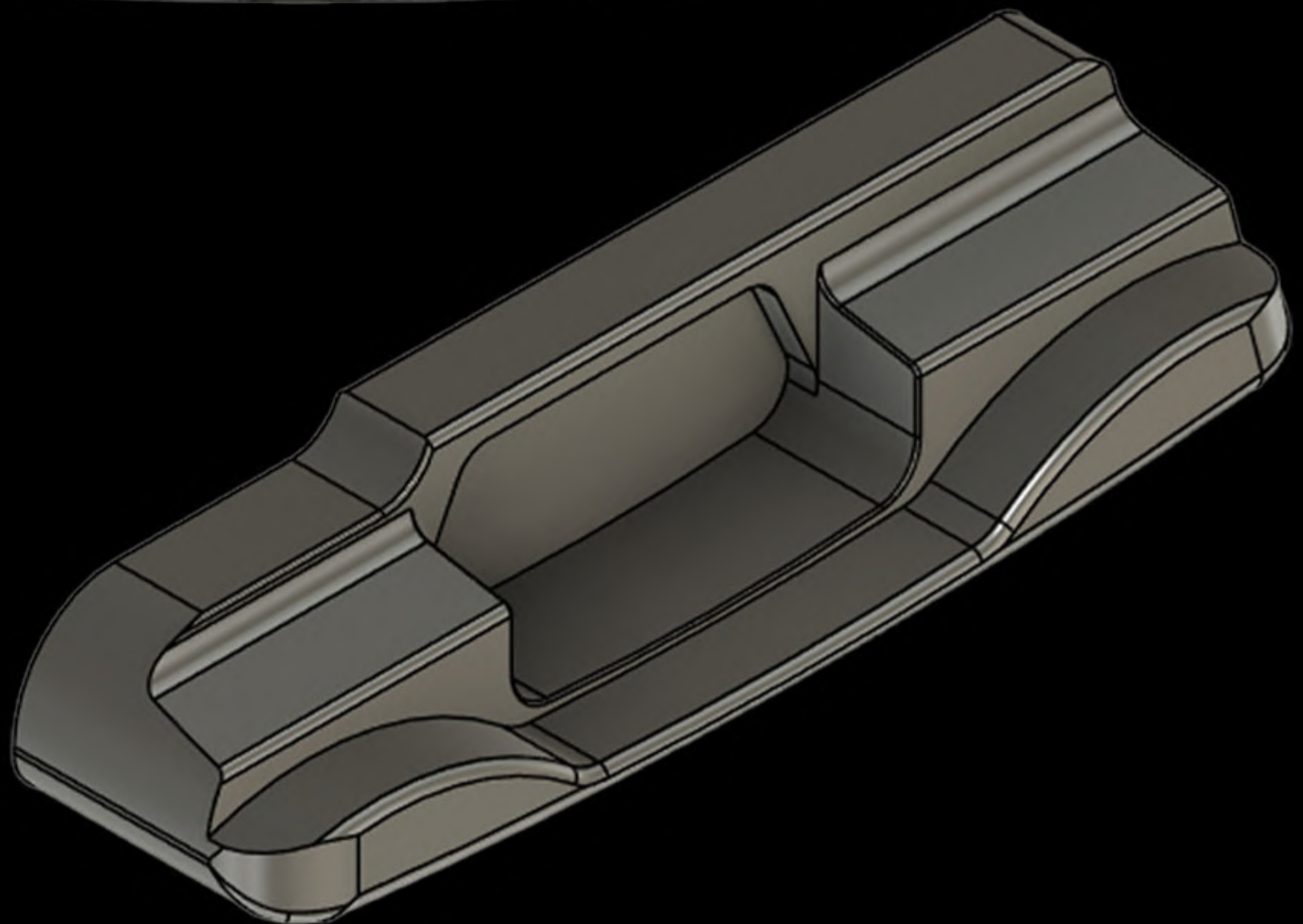
# CHOOSE YOUR HEADSHAPE

## ACE

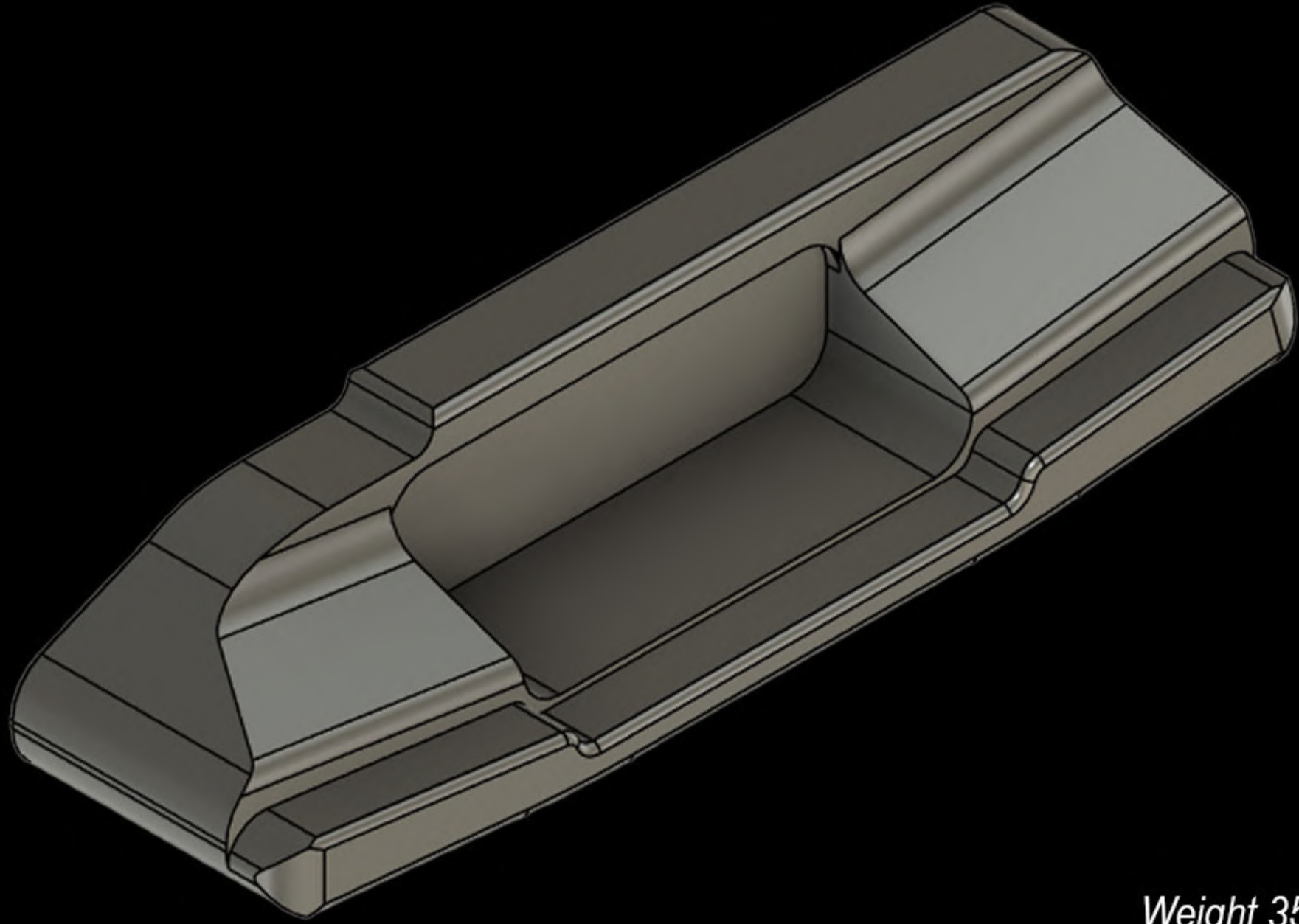


*Weight 350-365  
Depending on neck style  
( can be adjusted if required )*

## ACE 2.0

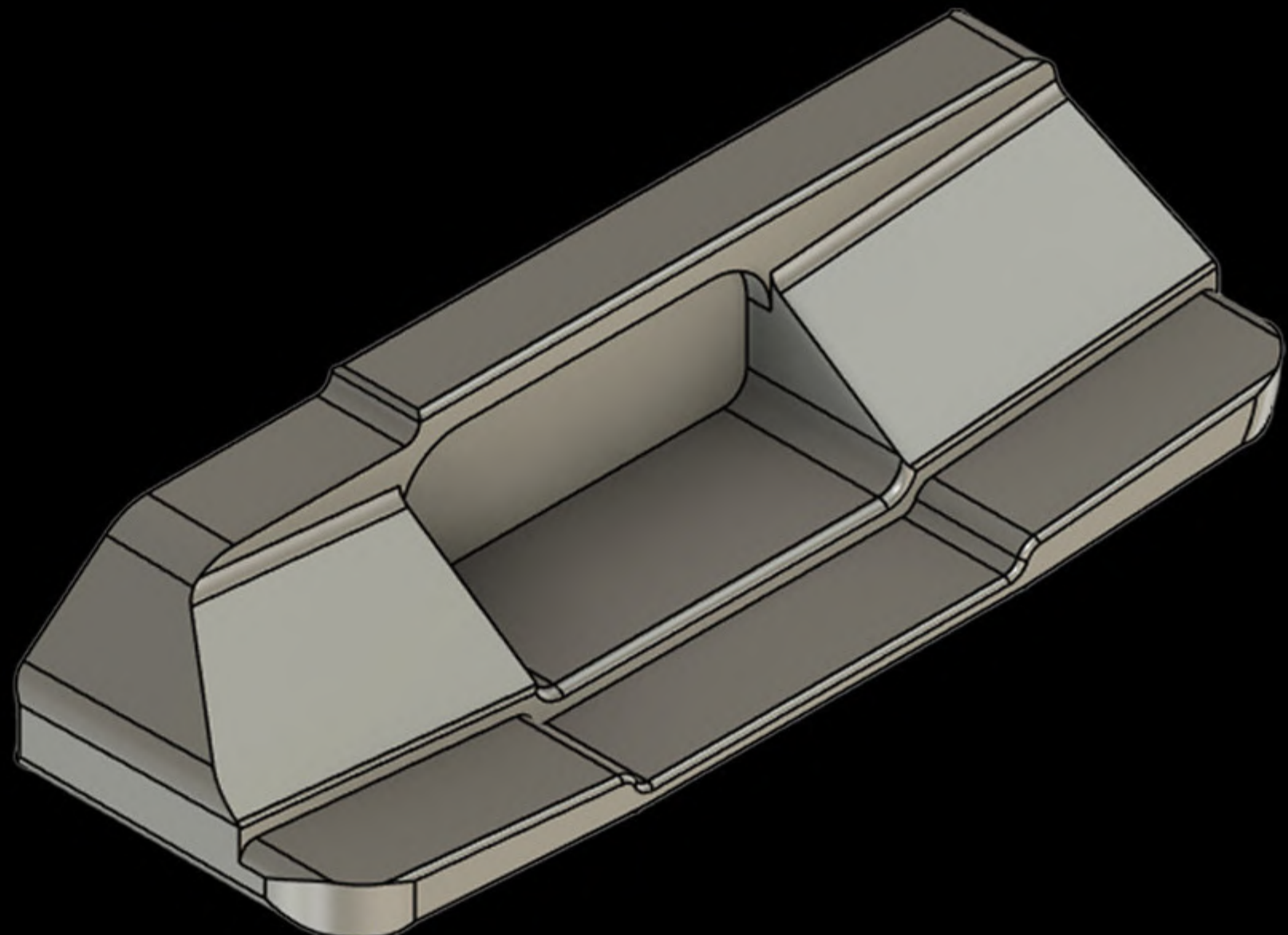


# ACE 3.0

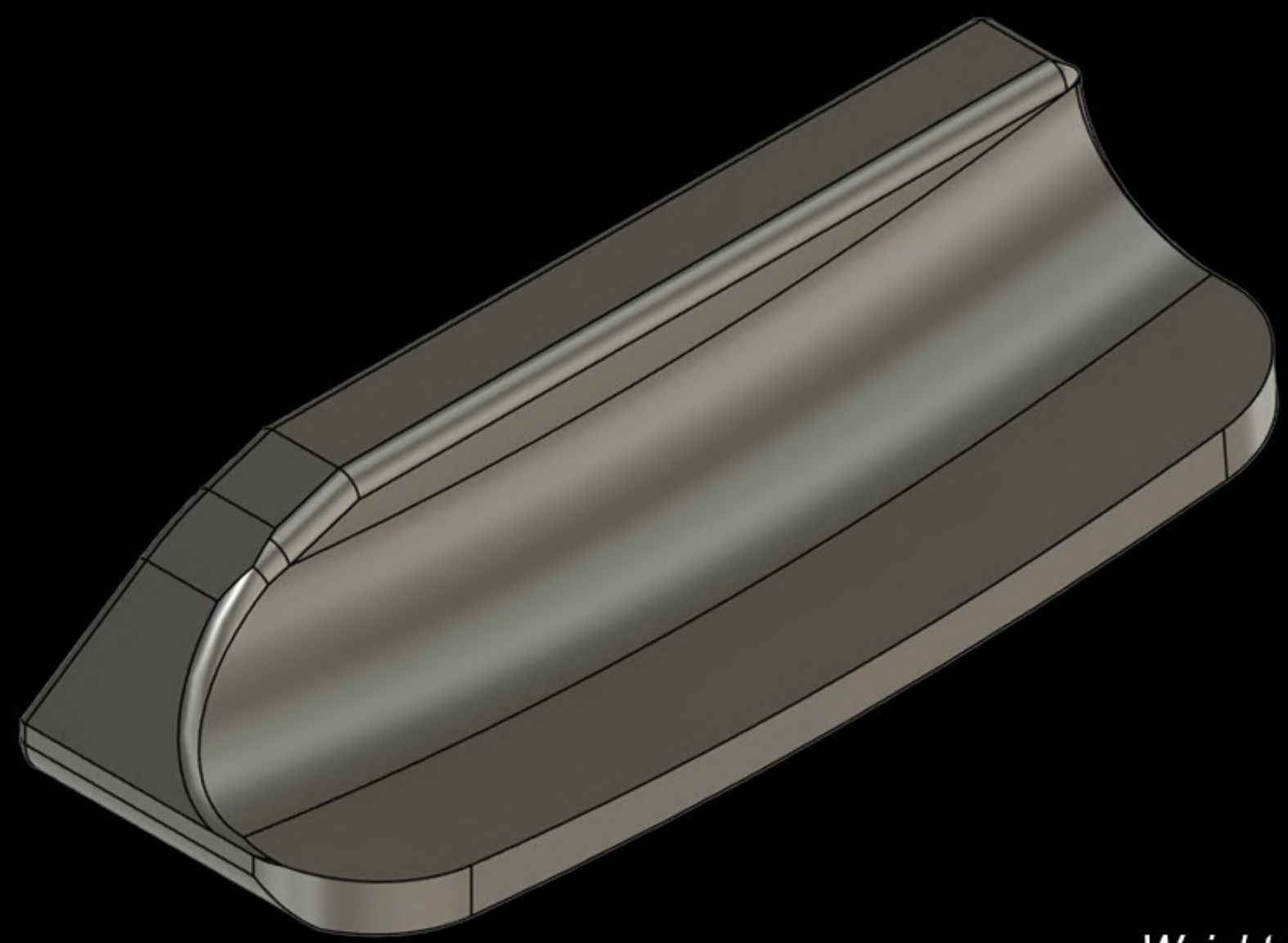
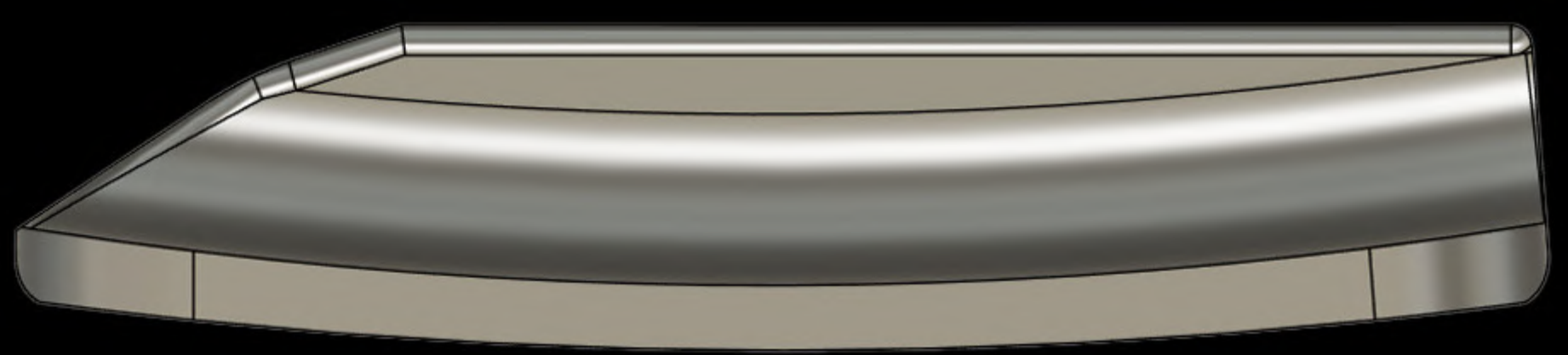


Weight 350-365  
Depending on neck style  
( can be adjusted if  
required )

# ACE WB

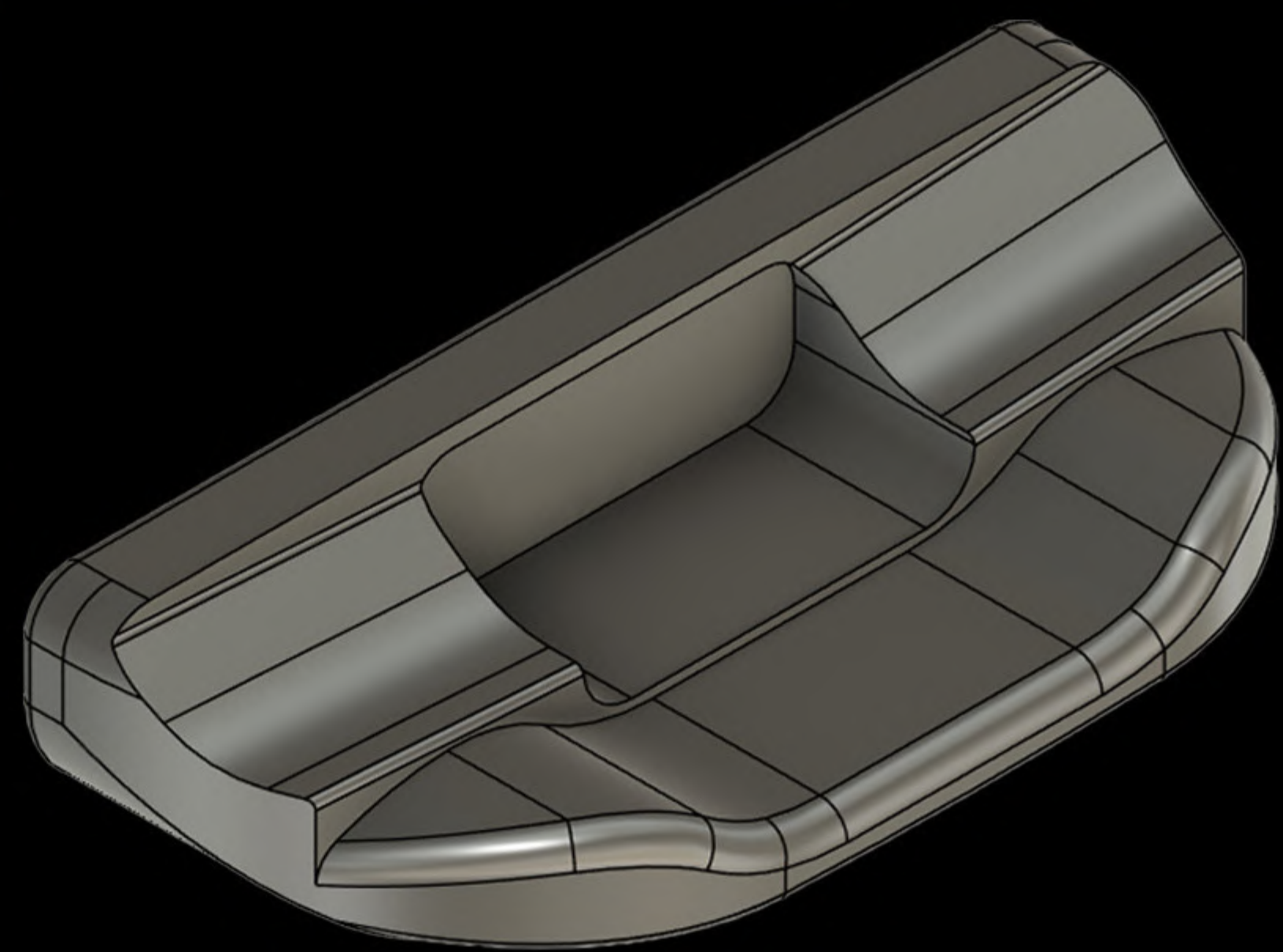
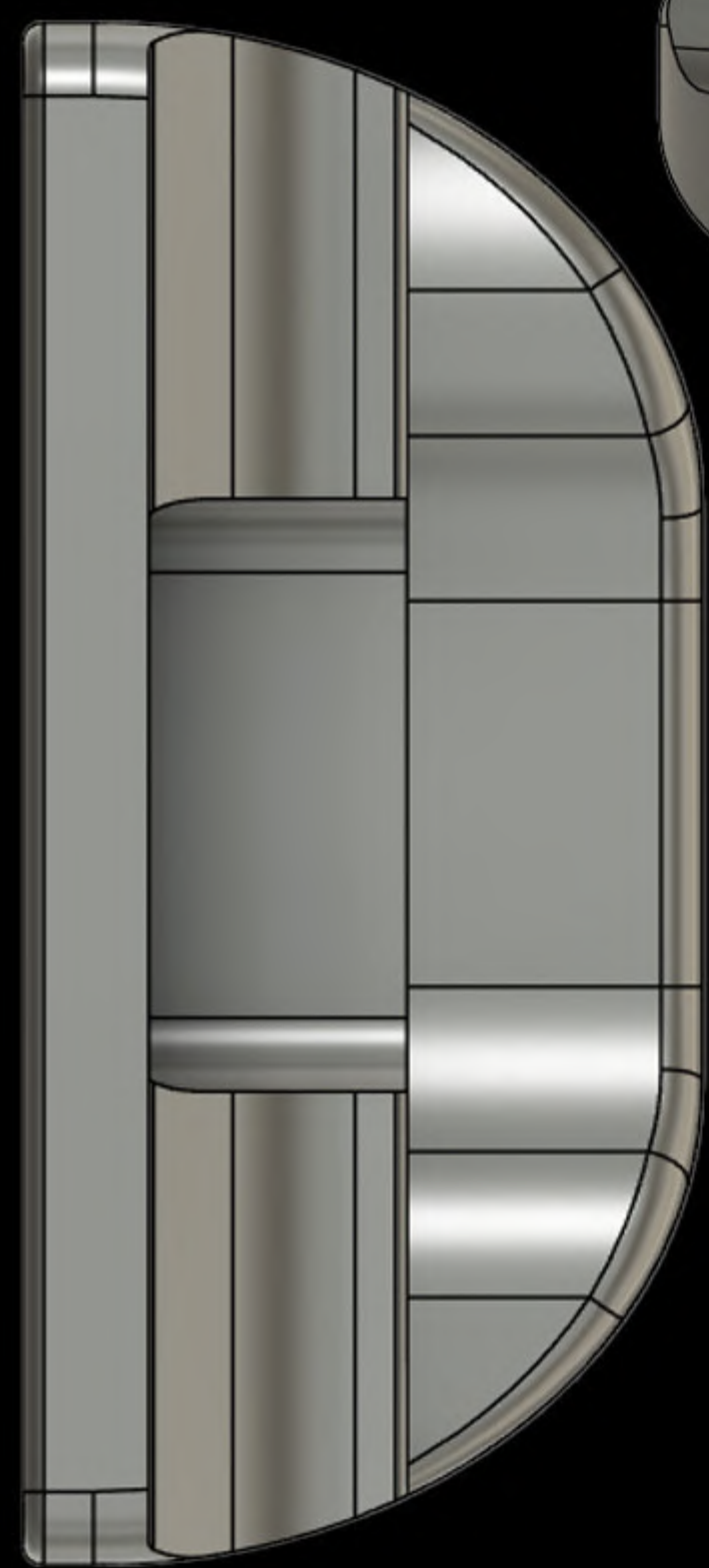


# SUSSEX WB

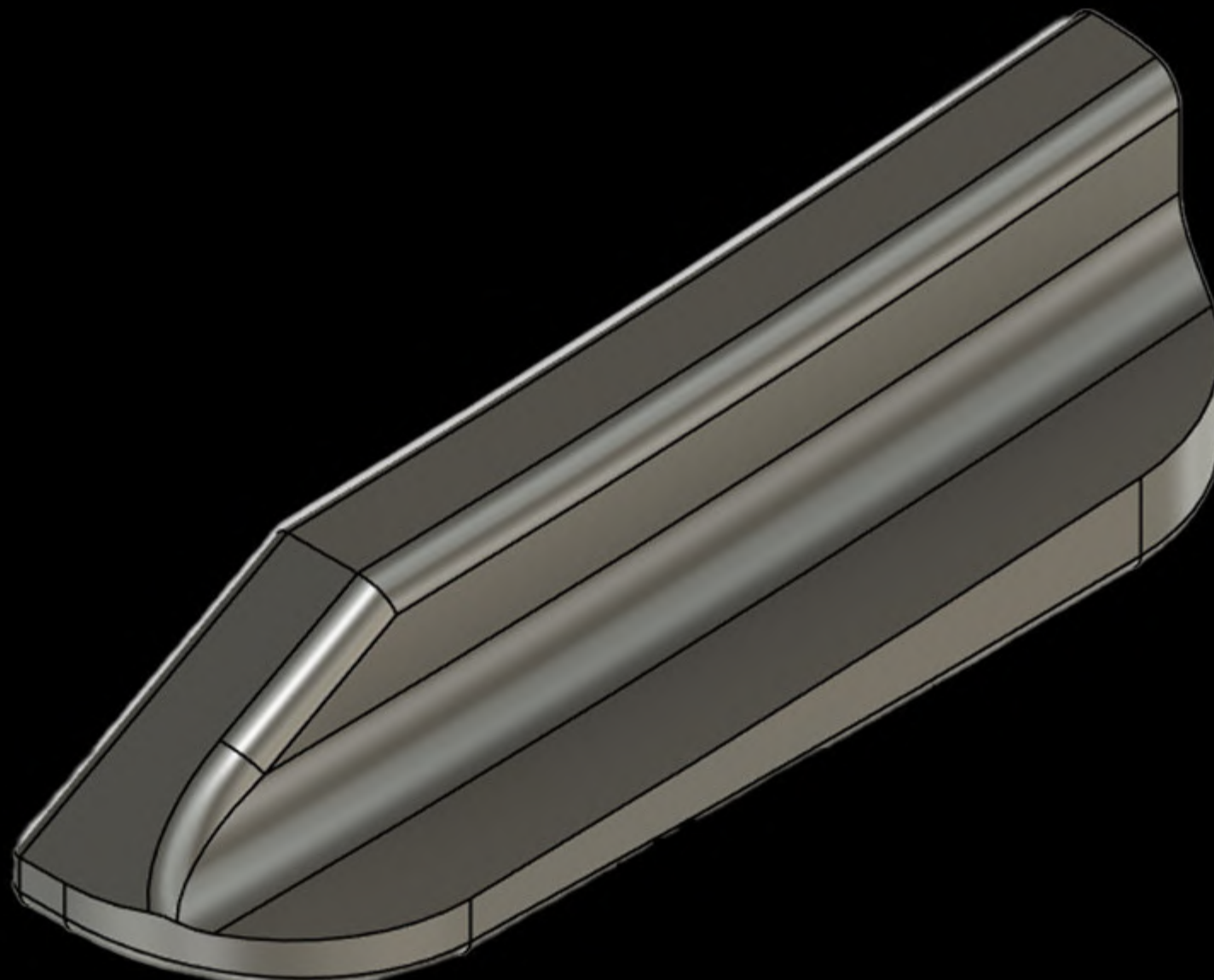


Weight 350-370  
Depending on neck style  
( can be adjusted if required )

# HARLYN

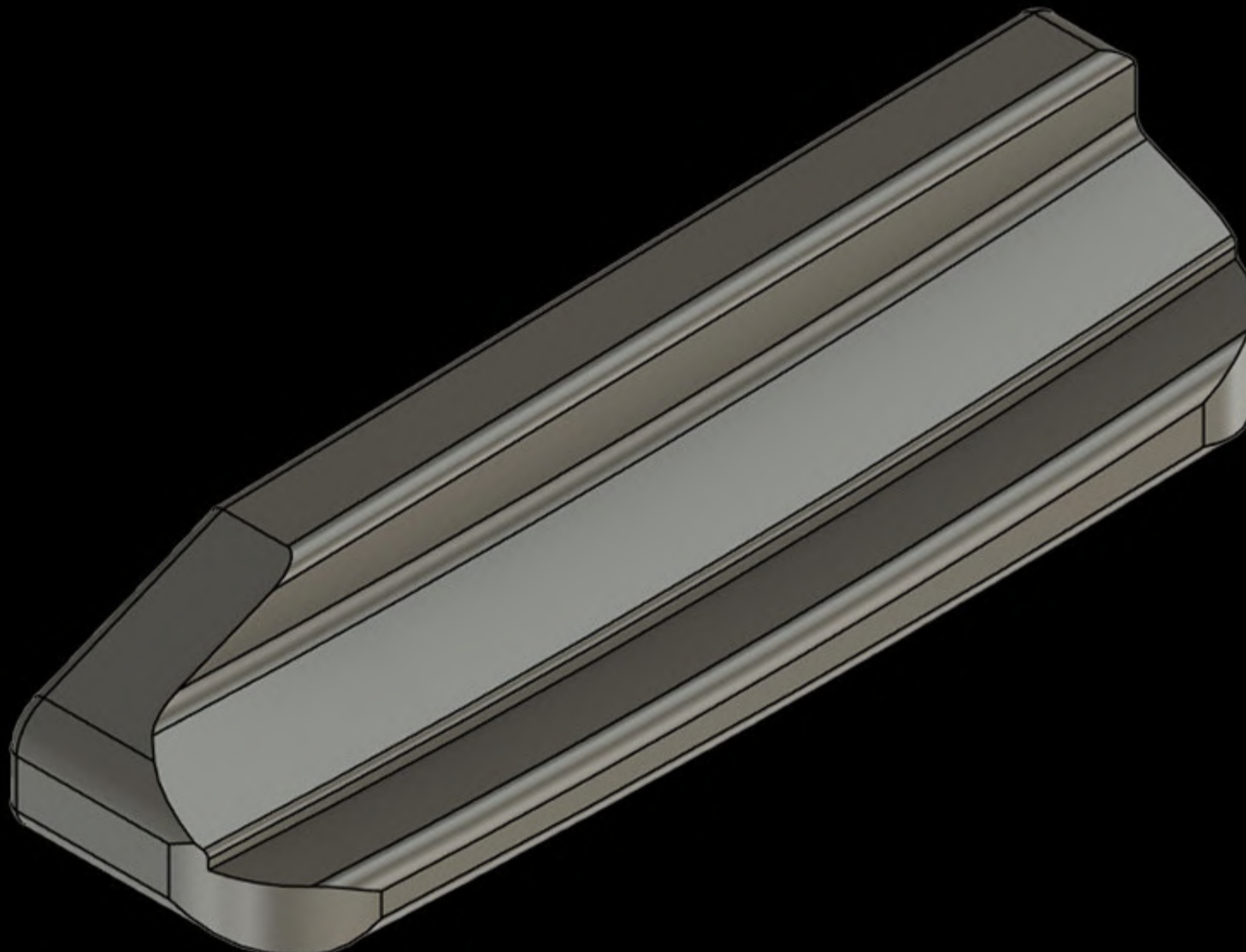


**SUSSEX**

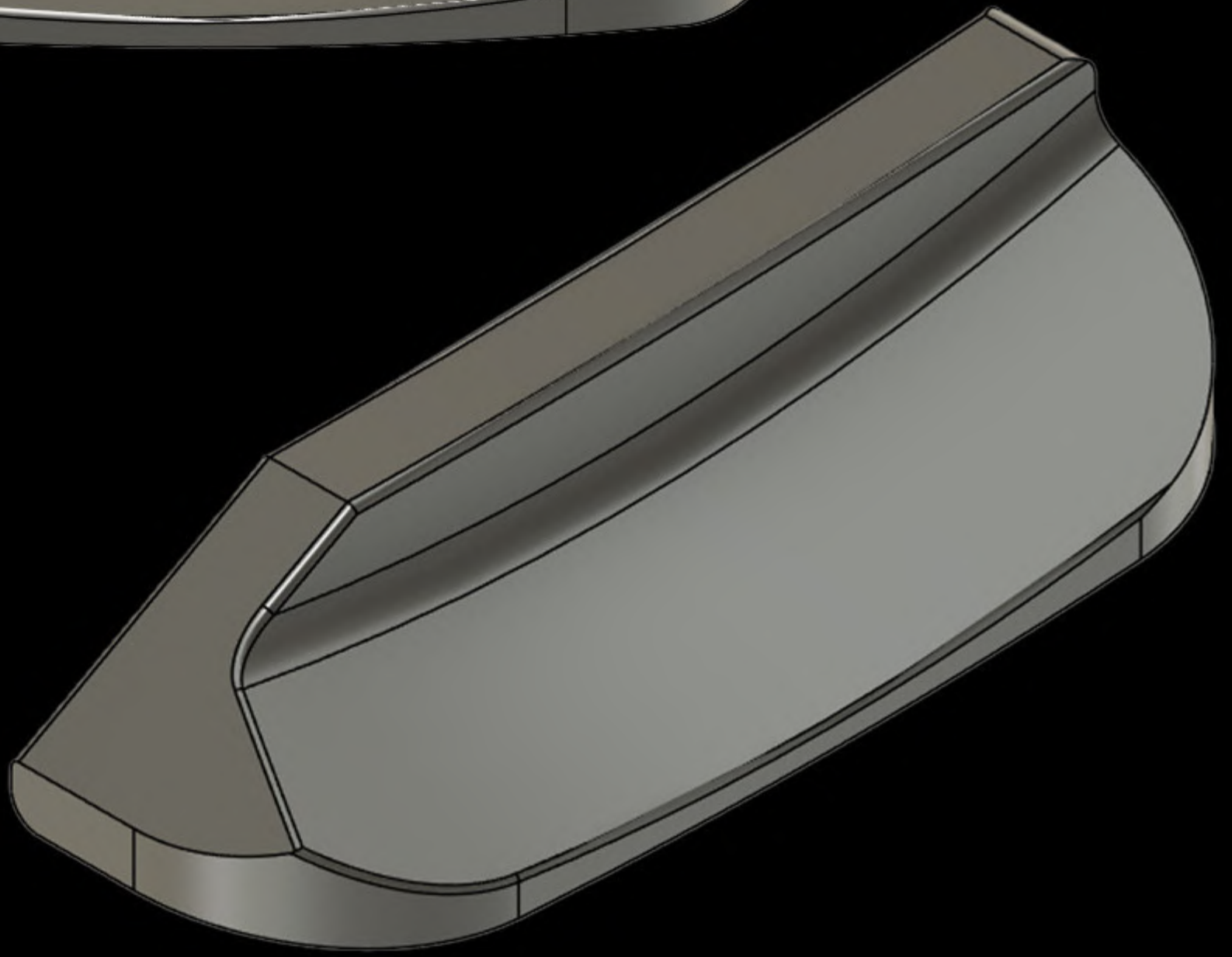
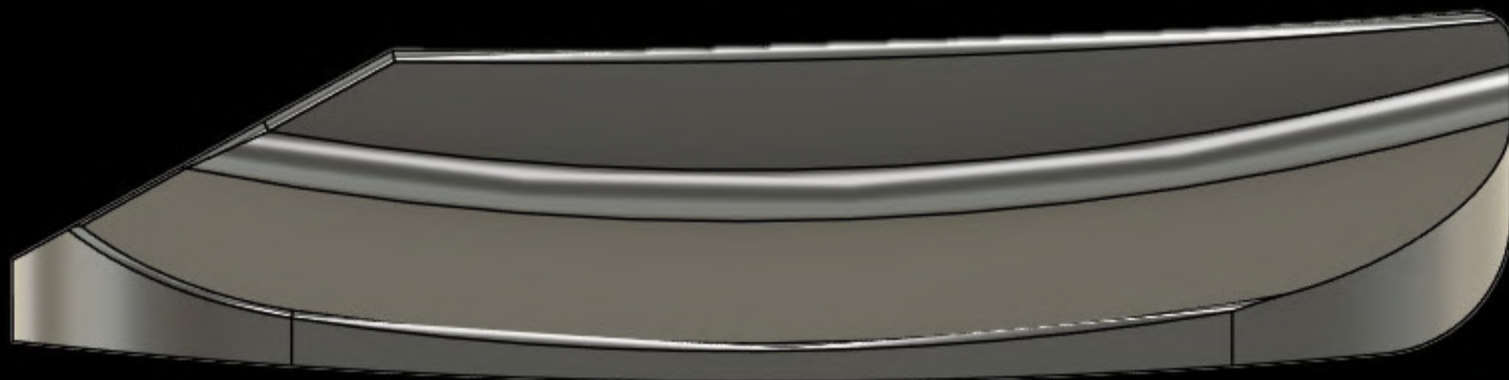


*Weight 350-365  
Depending on neck style  
( can be adjusted if required )*

**SUSSEX 2.0**

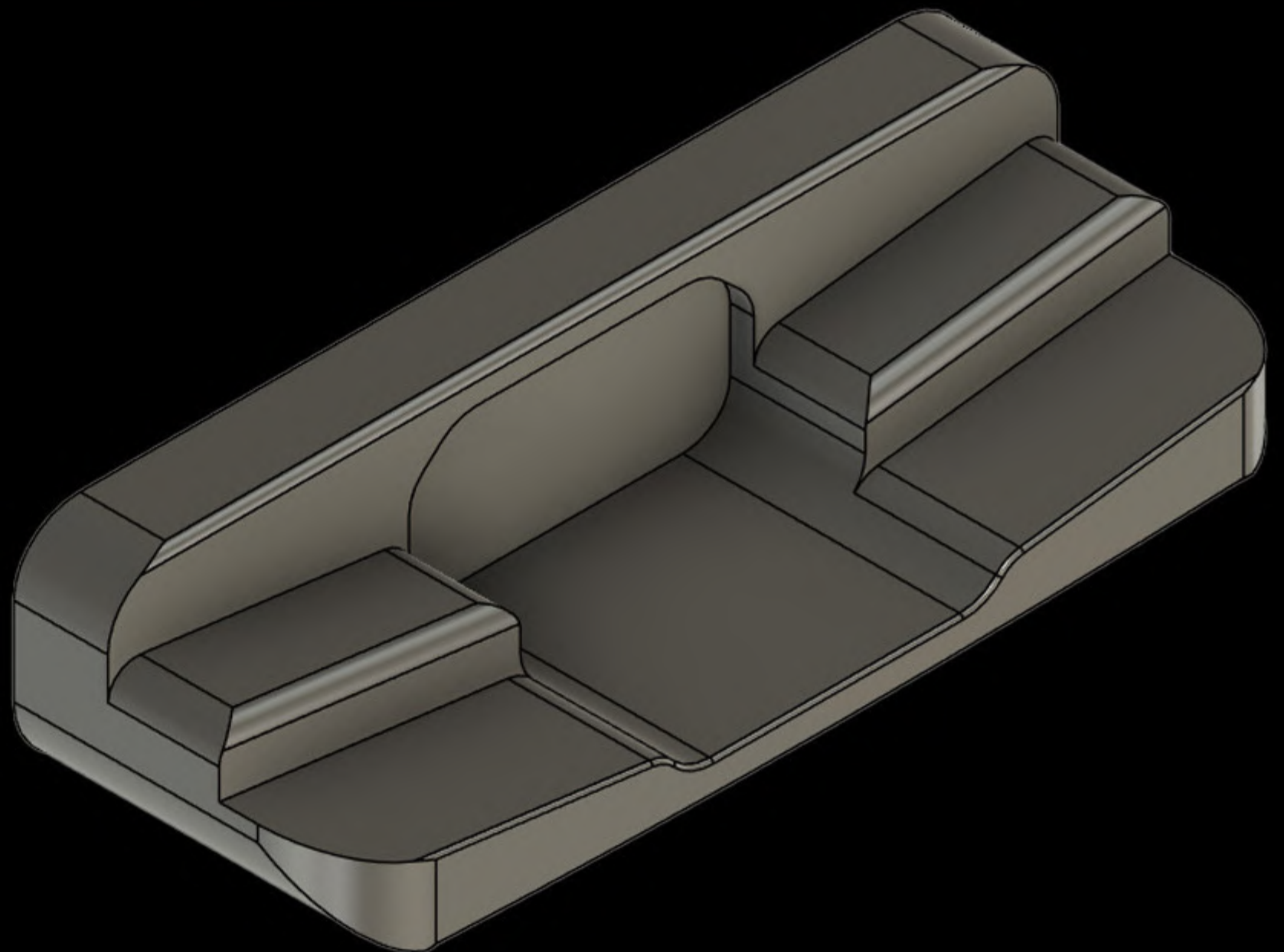
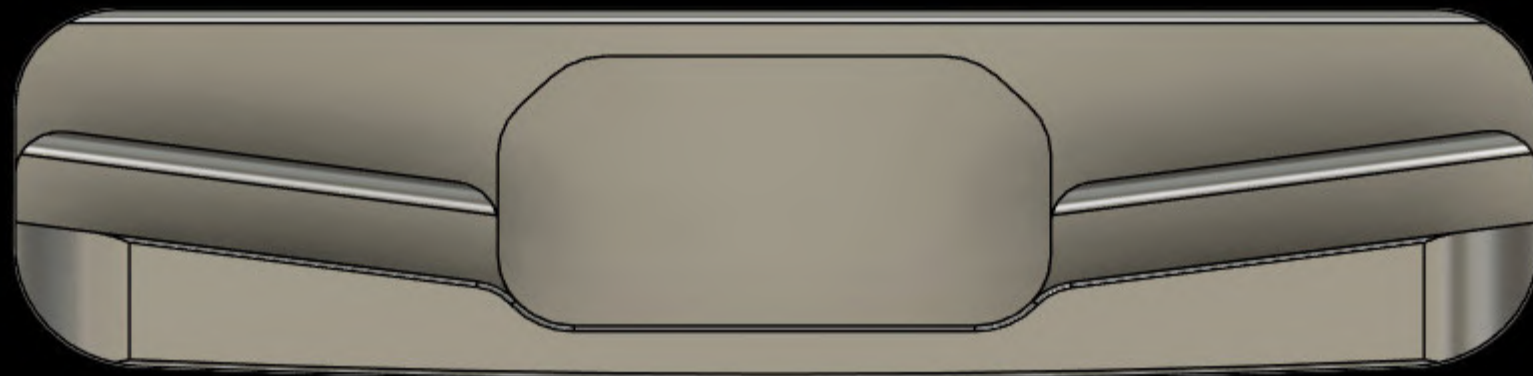


2019



Weight 350-370  
Depending on neck style  
( can be adjusted if required )

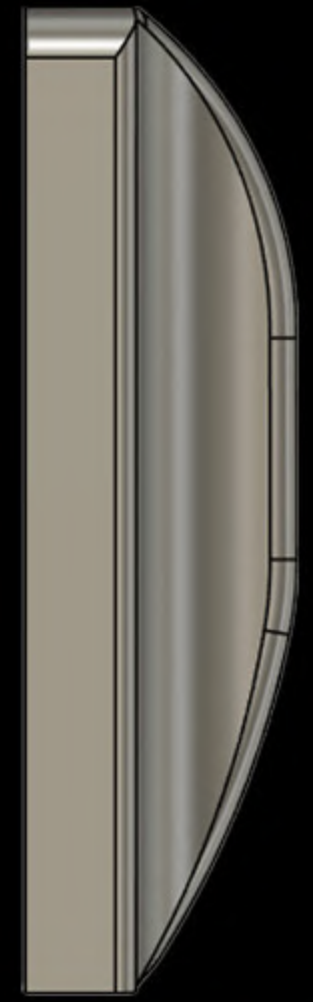
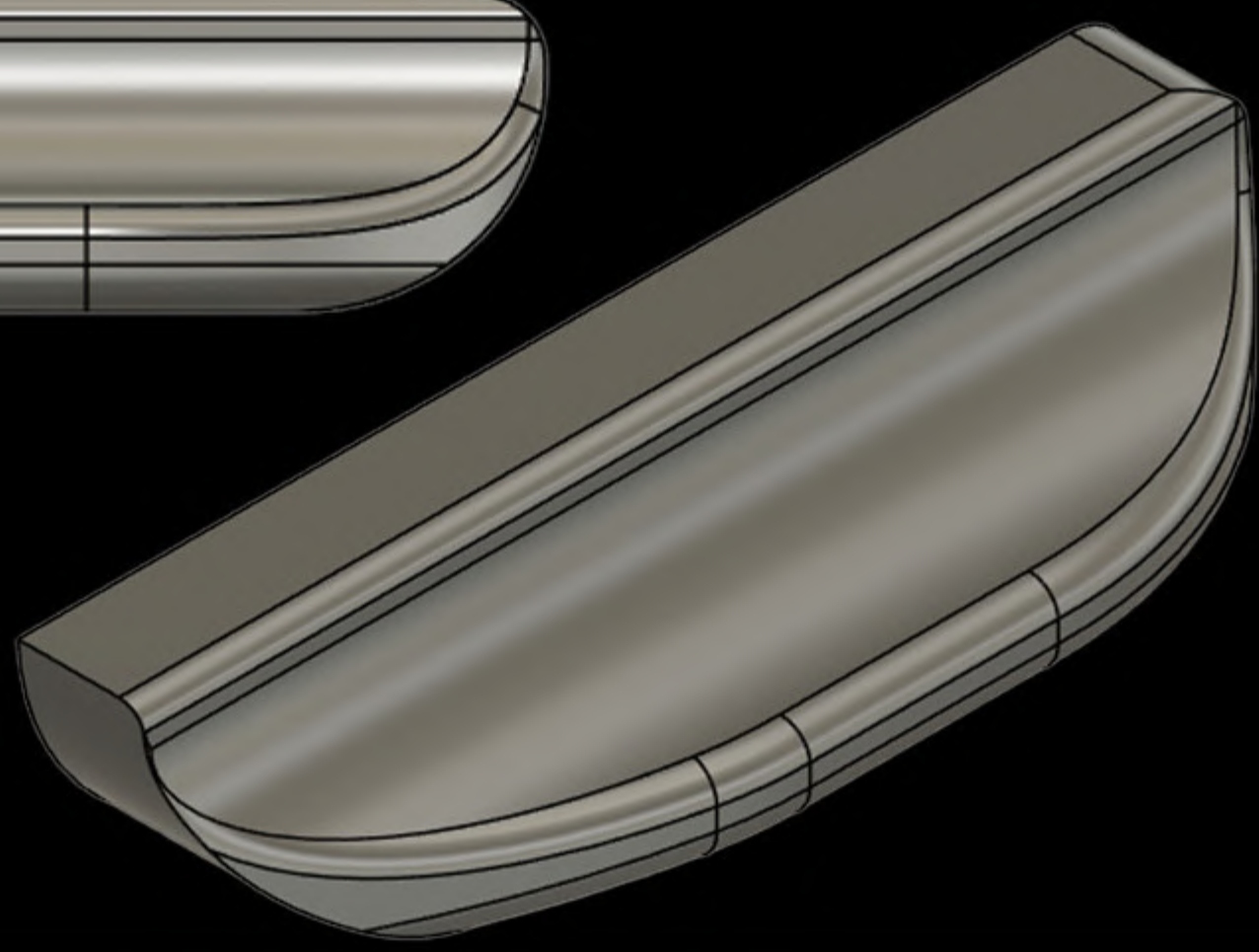
**MAUNGANUI**



# 1992



*Weight 350-370  
Depending on neck style  
( can be adjusted if required )*



# 1987



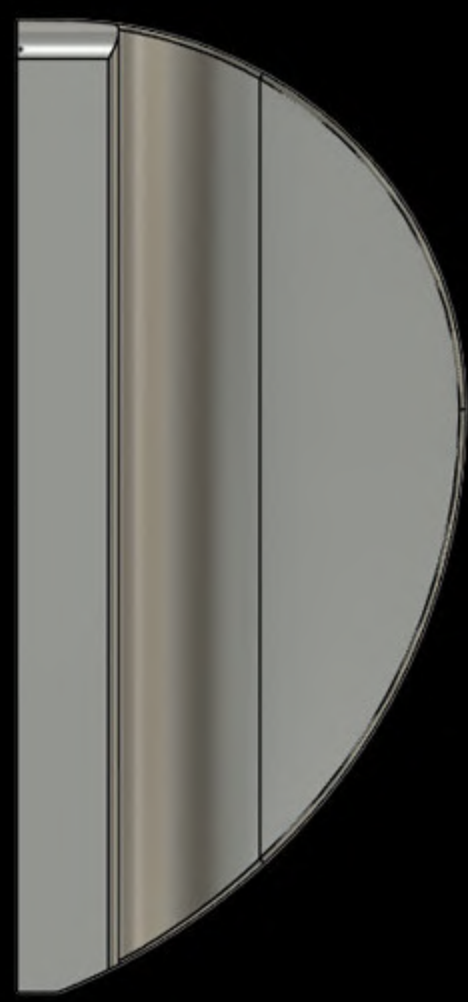
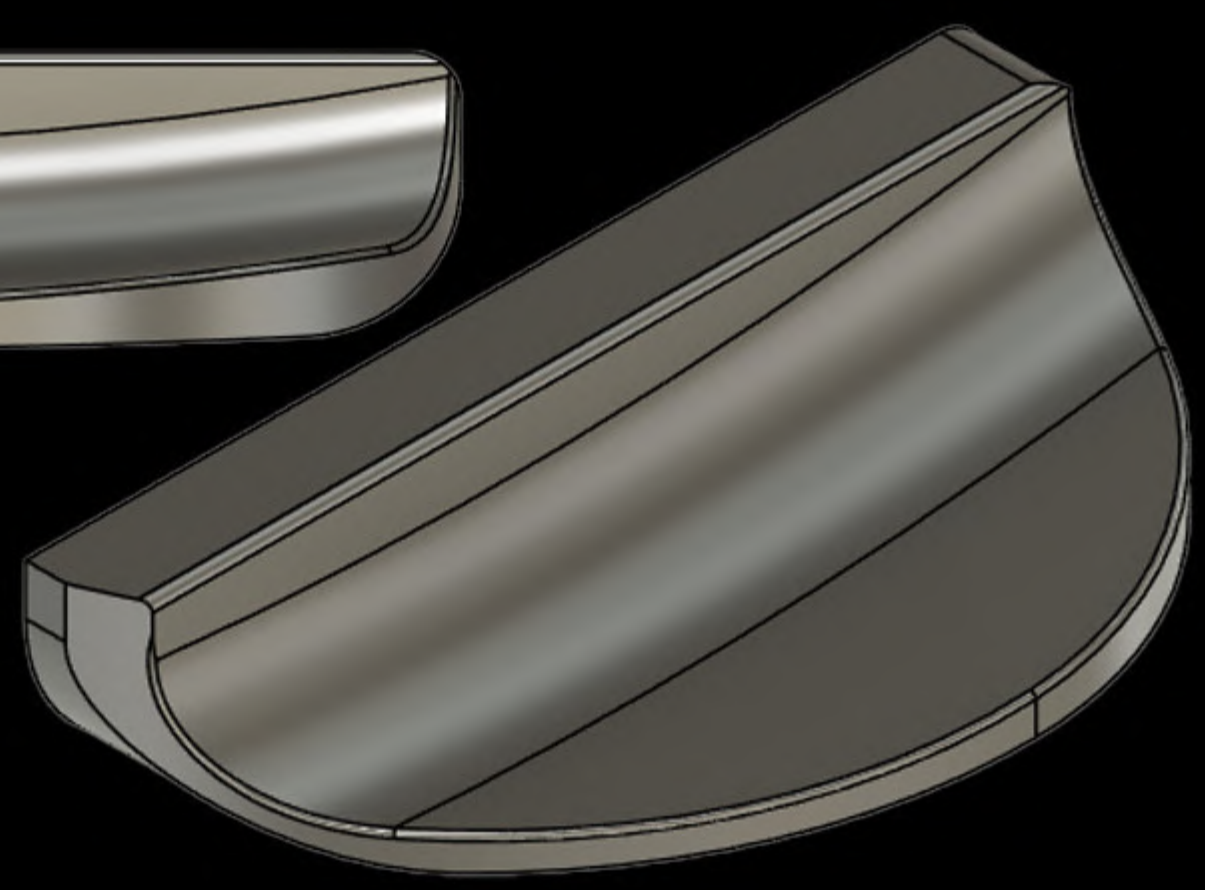
*Weight 350-370  
Depending on neck style  
( can be adjusted if required )*



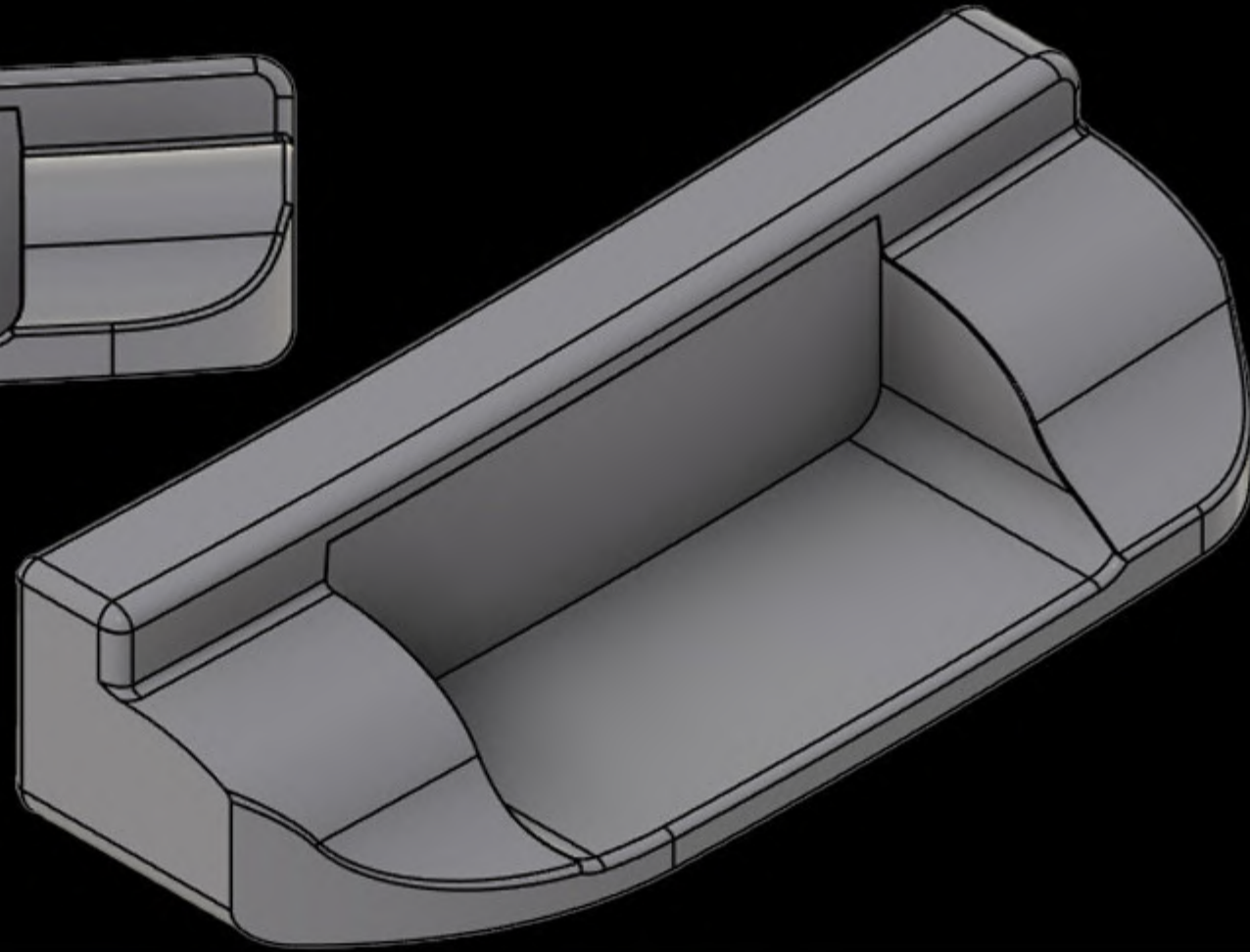
# 92/87 WB



*Weight 350-370  
Depending on neck style  
( can be adjusted if required )*

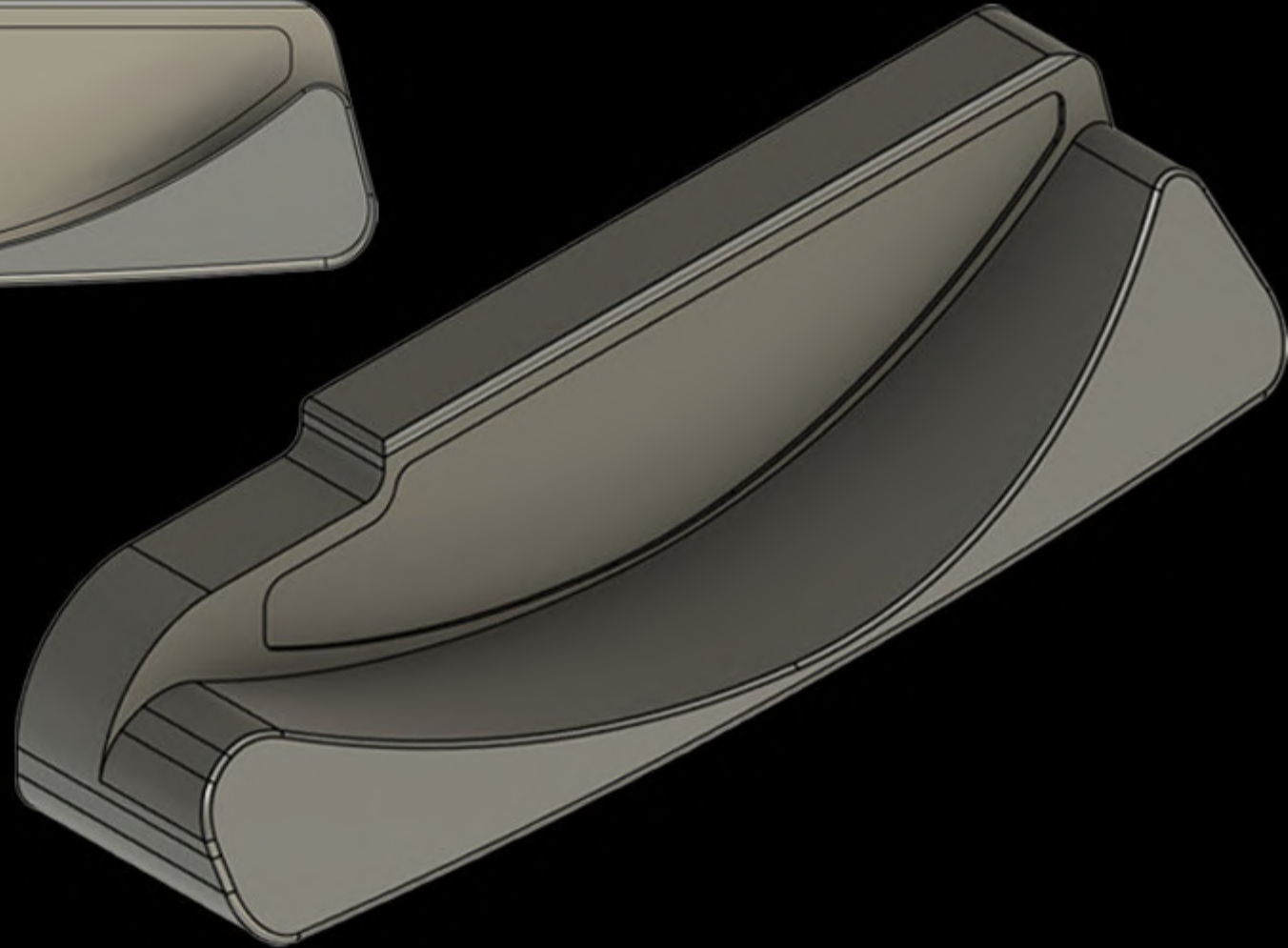


## WAIHI



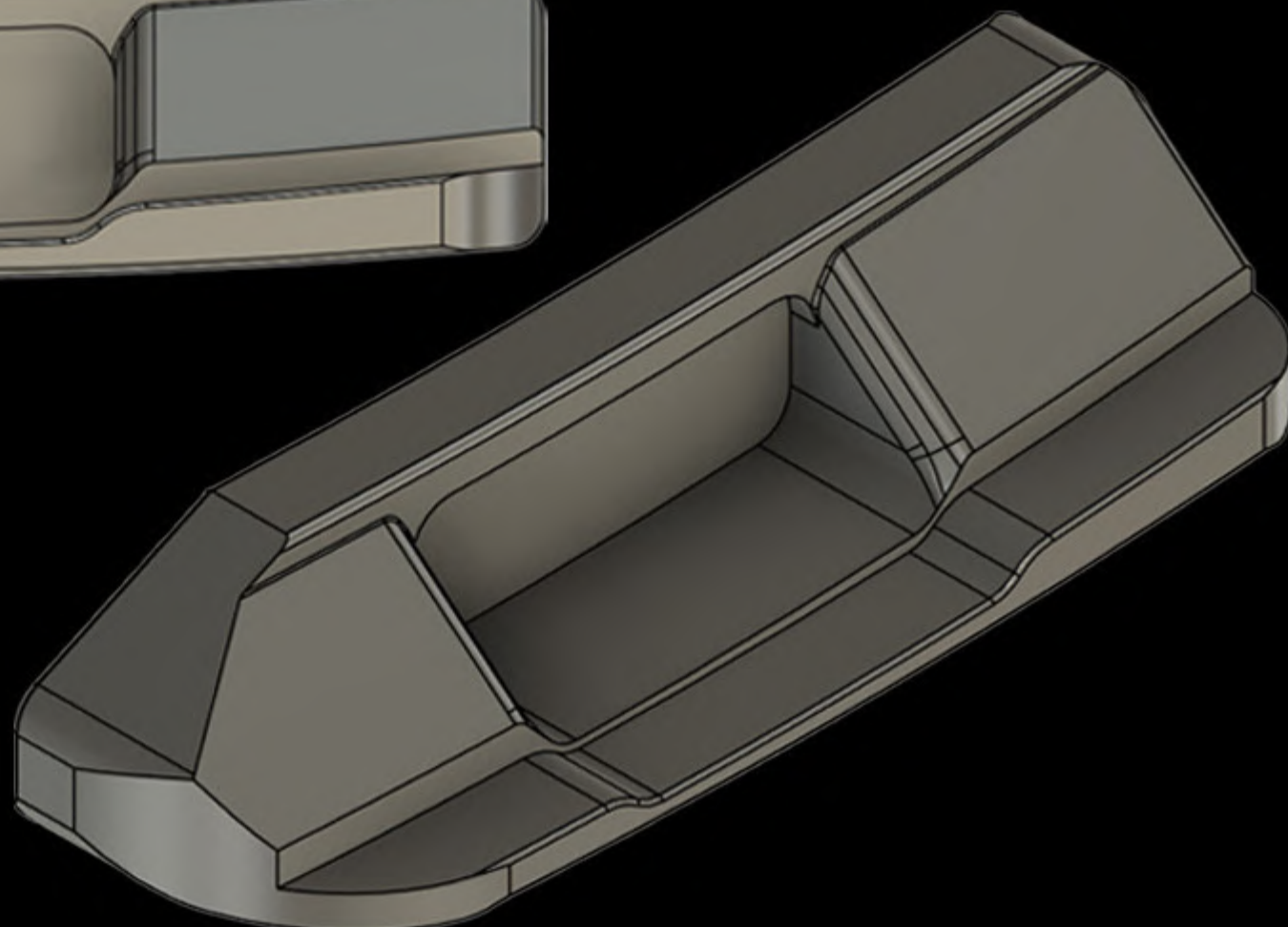
*Weight 350-370  
Depending on neck style  
( can be adjusted if required )*

## ULU



*Weight 340-360  
Depending on neck style  
( can be adjusted if required )*

## FISTRAL



*Weight 350-365  
Depending on neck style  
( can be adjusted if required )*



303SS FINISHES



SINK SATIN



LIGHT SINK SATIN



SINK SATIN WITH POLISHED AREAS



FULL POLISH



GOLD



POLISHED GOLD



BLACK PVD



PURPLE / BLUE



BRUSHED STEEL



CARBON STEEL FINISHES



SINK SATIN



BLACK OXIDE



RUSTY



CHOCOLATE



BLUE OIL CAN



POLISHED BLUE OIL CAN

SATIN BRUSHED



BRUSHED BLACK OXIDE



Carbon steel finishes require a touch of care to maintain there finish due to moisture on the steel.

To prevent any rust / patina please apply some silicone spray or bee's wax to help protect the finish.

# NECKS



STD PLUMBER



FLOW



SG FLOW



SG SHORT  
FLOW



SG LONG  
FLOW



LONG PLUMBER



TWISTED NECK



LONG TWISTED  
FLOW



SCREW FLOW



EXRTRA  
LONG  
PLUMBER

Every neck can be produced in both right and left , 303ss and carbon steel.

# FACEMILLING



SG MILLED



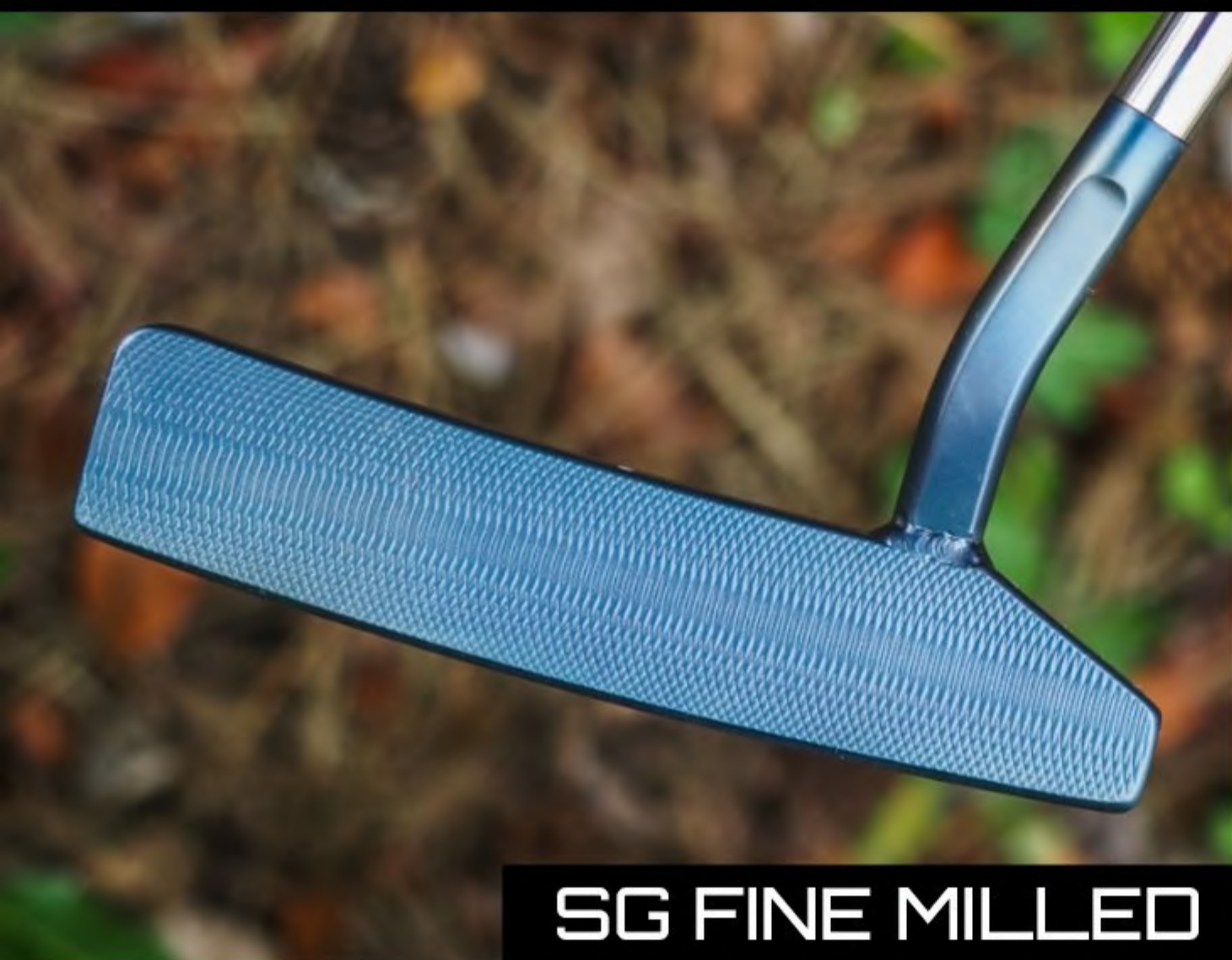
SG LIGHT MILLED



SMOOTH



LINES



SG FINE MILLED



INSERT



# ALIGNMENT AID

TOP DOT



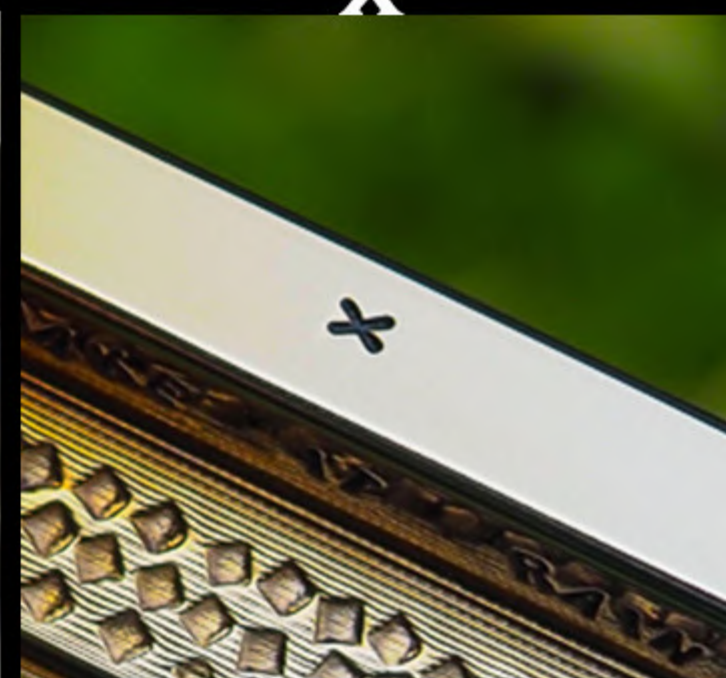
TOP LINE



BACK LINE



X



O



OTHER



OTHER= PLEASE THROW ANY IDEAS OUT THERE IF REQUIRED.

# STAMPING / ENGRAVING



STAMPED DANCING



STAMPED STRAIGHT



ENGRAVED

# STAMPING PATTERN IF REQUIRED



SQUARES



ROCK



# SHAFT AND GRIP OPTIONS



## SHAFT

- Black stepless
- Chrome Stepless
- Stability tour blackout

## GRIP

SINK slim  
STITCHED LEATHER  
BLACK  
GREEN  
BROWN

