

Stainless Steel Spigot

Instruction Sheet



Proper installation of the stainless steel spigot is essential for preventing leaks. The stainless steel spigot includes 2 metal washers, 2 rubber washers, and one nut. The metal and rubber washers must be installed per the below image for proper assembly.

First, one metal washer is installed onto the thread of the spigot with the concave side facing towards the threaded end, followed by a rubber washer. The rubber washer needs to sit flush with the metal washer prior to inserting the spigot through the hole in the lower reservoir.

Once inserted, push the spigot towards the surface of the filter housing firmly. Now, place the second rubber washer onto the threaded end, followed by the second metal washer, the second metal washer will have the concave side facing the washer as previous. The metal washer can then be pushed toward the housing to make the seal. The nut should now be installed onto the threaded end of the spigot, hand tighten the nut, a wrench can be used to tighten the nut, however take care to not over tighten or damage the housing.

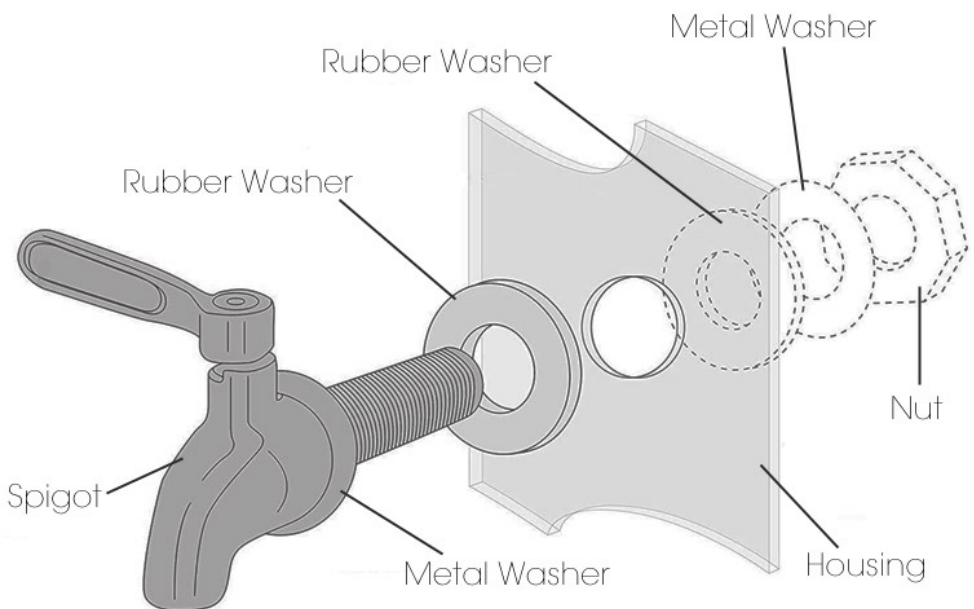


Image on left shows correct placement of the metal washers with the concave sides facing towards the rubber washers.