

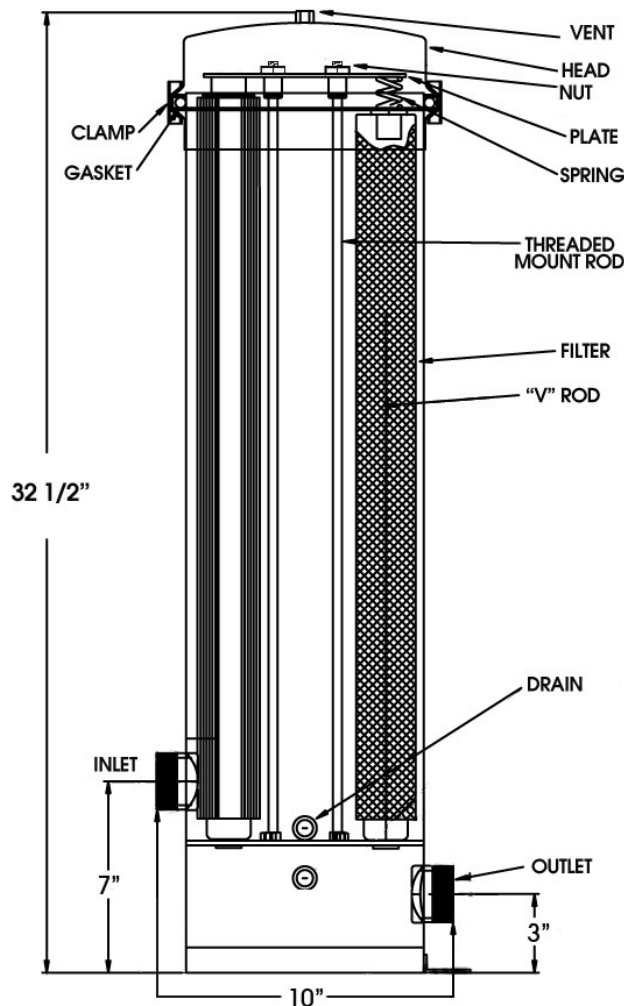
# MR500-SS

## MultiRound Filter System

# Assembly Instructions

This system includes 5 AquaMetix® 20" cartridges, to begin assembly, slide each cartridge over the "V" rod ensuring the sealing washers on the cartridges are in place on the top and bottom of each cartridge. Once all 5 cartridges are in place, locate the 5 spring retainers and place one on each of the cartridges, again make sure the sealing washers are in place on the cartridges. Next step is to mount the filter plate over the cartridges, making sure the 3 threaded mounting rods go into their opening. Once the plate is in position, tighten the filter plate with the three (3) 11/16" nuts, these should be tightened using a socket wrench or similar. Assembly of the cartridges is now complete. Place the lid (head) on the housing making sure the sealing gasket is present. The band clamp should now be installed on the seam between the housing and lid and tightened with the wing nut.

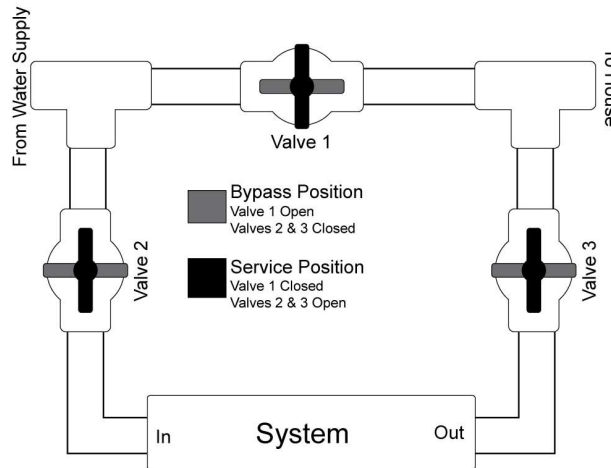
The system includes a pressure gauge which is installed into the vent hole on the lid of the housing. The gauge is supplied to indicate incoming water pressure across the system. A second gauge can be installed downstream of the system to determine pressure differential to aid in determining cartridge replacement.



Professional plumbing is highly recommended. The Inlet & Outlets will need to be reduced to accommodate to the existing plumbing, they are oversized in order to avoid pressure drop due to the housing.

The MR500SS utilizes 1" Inlet & Outlet - Includes 1/2" drain port

We strongly recommended installing the system in a 3-way bypass assembly to ensure easy installation, service, and filter replacement. The image below is an example.



### START-UP

Once the plumbing portion is completed, the shut-off valves have been installed, the cartridges are loaded into the system, and the lid is attached with the band clamp and tightened, open the outlet side completely followed by slightly opening the inlet supply valve, and check for leaks. If leaks occur, shut off the supply of water including the inlet and outlet valves, release excess pressure by loosening the pressure release cap, if needed, remove the band clamp and lid and check the gasket to be sure it is properly seated.

### WARNING

Do not attempt to remove the band clamp and lid without releasing pressure.

Do not operate the system above the maximum rated pressure. In situations where pressure is above the maximum, install a pressure reducing valve to protect the system.

### IMPORTANT NOTICE:

The system is not supplied with valves – they must be purchased separately.

MR500SS system has a drain port. An additional valve will be required for this port.

Water chemistry varies considerably and as a result, filtration performance and life expectancy are usually impossible to predict. The capacities for the MR systems are based on independent, 3rd party testing for percentages of reduction and capacity. Actual results will depend entirely on the water entering into the system, usage of the system and proper pre and post filtration for contaminants not addressed by this filter system.