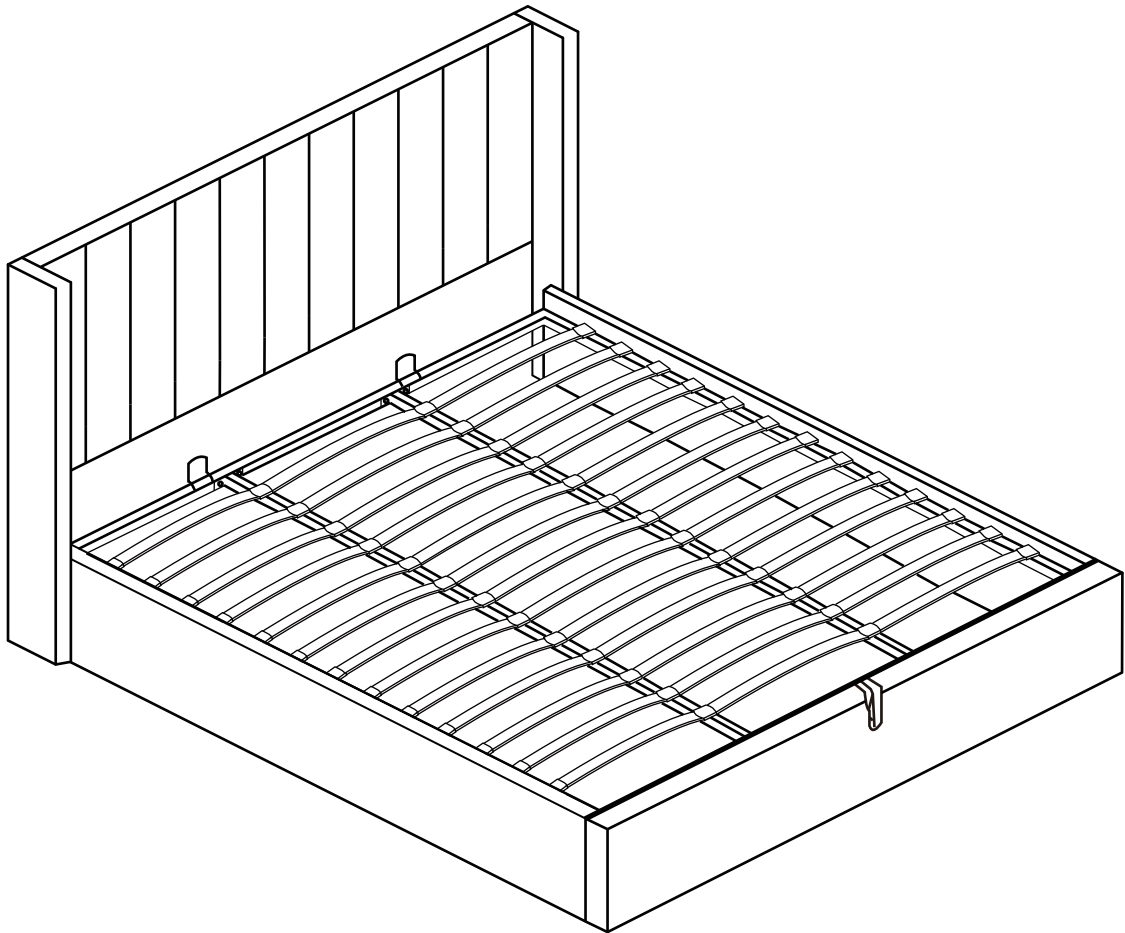


version 1.0

Meraki Imports

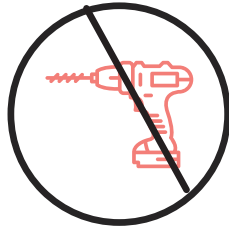
ASSEMBLY SHEET



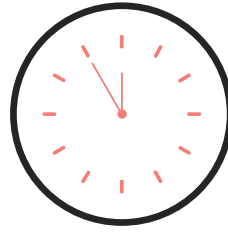
JENNY



No. of People: 2



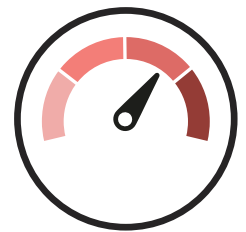
NO power tools required.



Time: 2 hours



Use a damp cloth to clean.








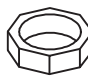


Level of difficulty: 3/4



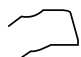




ASSEMBLY INSTRUCTIONS

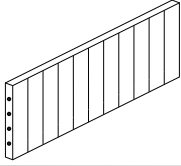

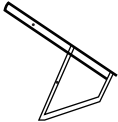
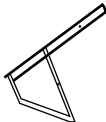

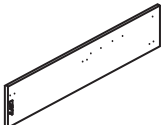
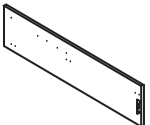




Thank you for making a purchase with Meraki Imports. The goal of this assembly sheet is to help you assemble the product in a way that will contribute to its longevity and durability. Kindly follow all the instructions carefully to ensure a safe and accurate assembly process.

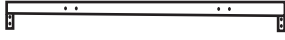
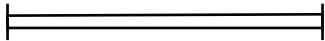


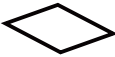

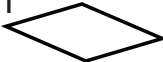


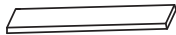
A few important things to note:

- Please do not use a power tool to assemble this product. Using one may hinder and/or damage the item and will invalidate any claims for warranty.
- Depending on the amount of use this product receives, it may be recommended to tighten up the fixings from time to time. This is completely normal!
- Do not drag the bed. Always lift with at least two people to avoid injury or damage.

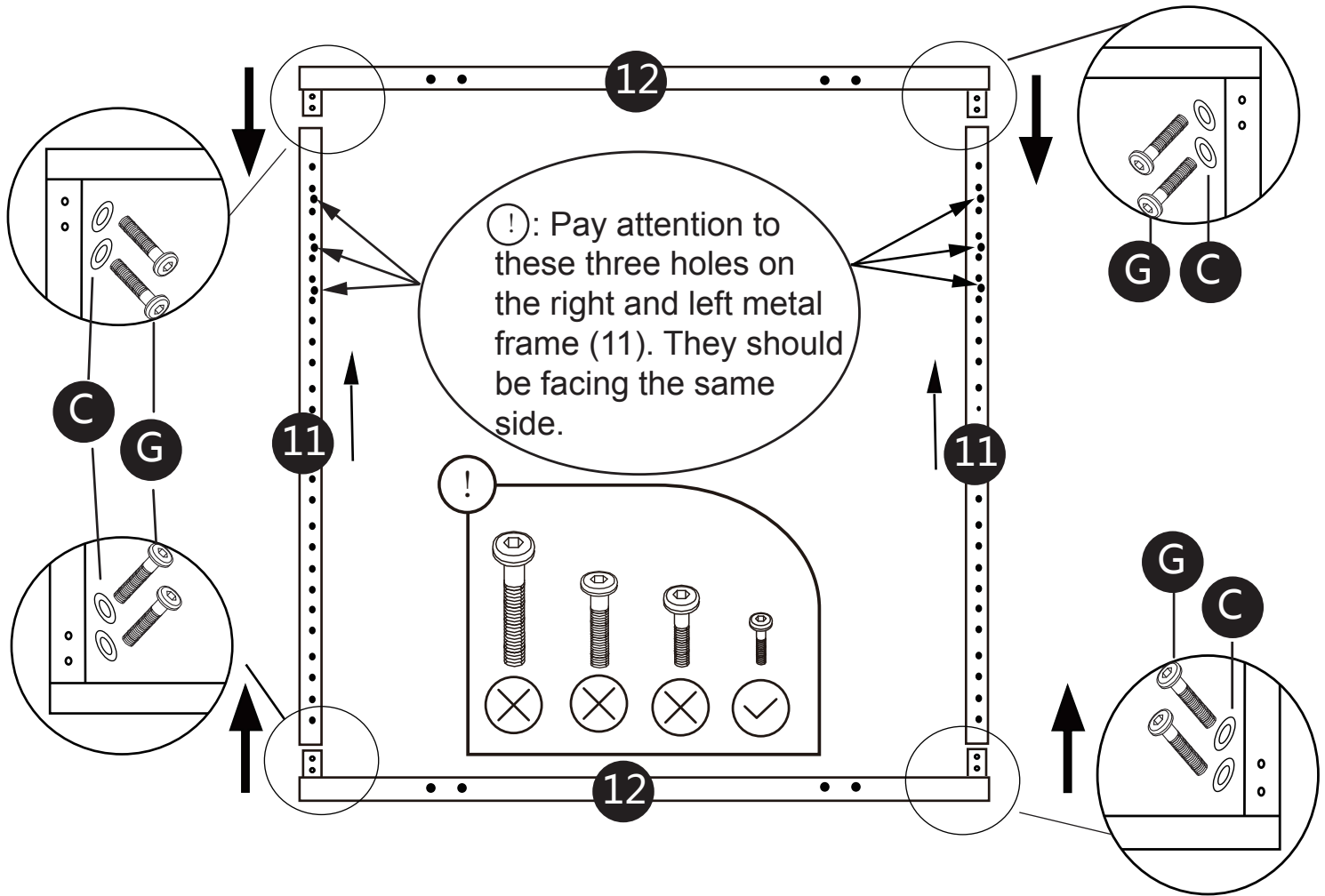
PARTS INVENTORY			
ID	DESCRIPTION		QTY
A	M8*40 BOLT		42
B	M8*65 BOLT		6
C	FLAT WASHER M6		8
D	SPRING WASHER		4
E	FLAT WASHER M8		54
F	NUT		22
G	M6*10 BOLT		8
H	ALLEN KEY		1

PARTS INVENTORY			
ID	DESCRIPTION		QTY
I	OPEN SPANNER		1
J	PROTECTIVE PAD		8
K	MATTRESS STOPPER		2
L	GAS LIFT RIBBON		1
M	PROTECTIVE PAD		2
N	GAP NUT		8
O	M8*25 BOLT		14

PARTS INVENTORY		
ID	DESCRIPTION	QTY
1	Headboard 	1
2	Footboard 	1
3	Left Hydraulic 	1
4	Right Hydraulic 	1
5	Gas Lift 	2
6	Left Side Rail 	1
7	Right Side Rail 	1
8	Wood Slat 	45
9	Single Close Ended Clip 	30
10	Double Open-Ended Clip 	30
11	Right and Left Metal Frame 	2

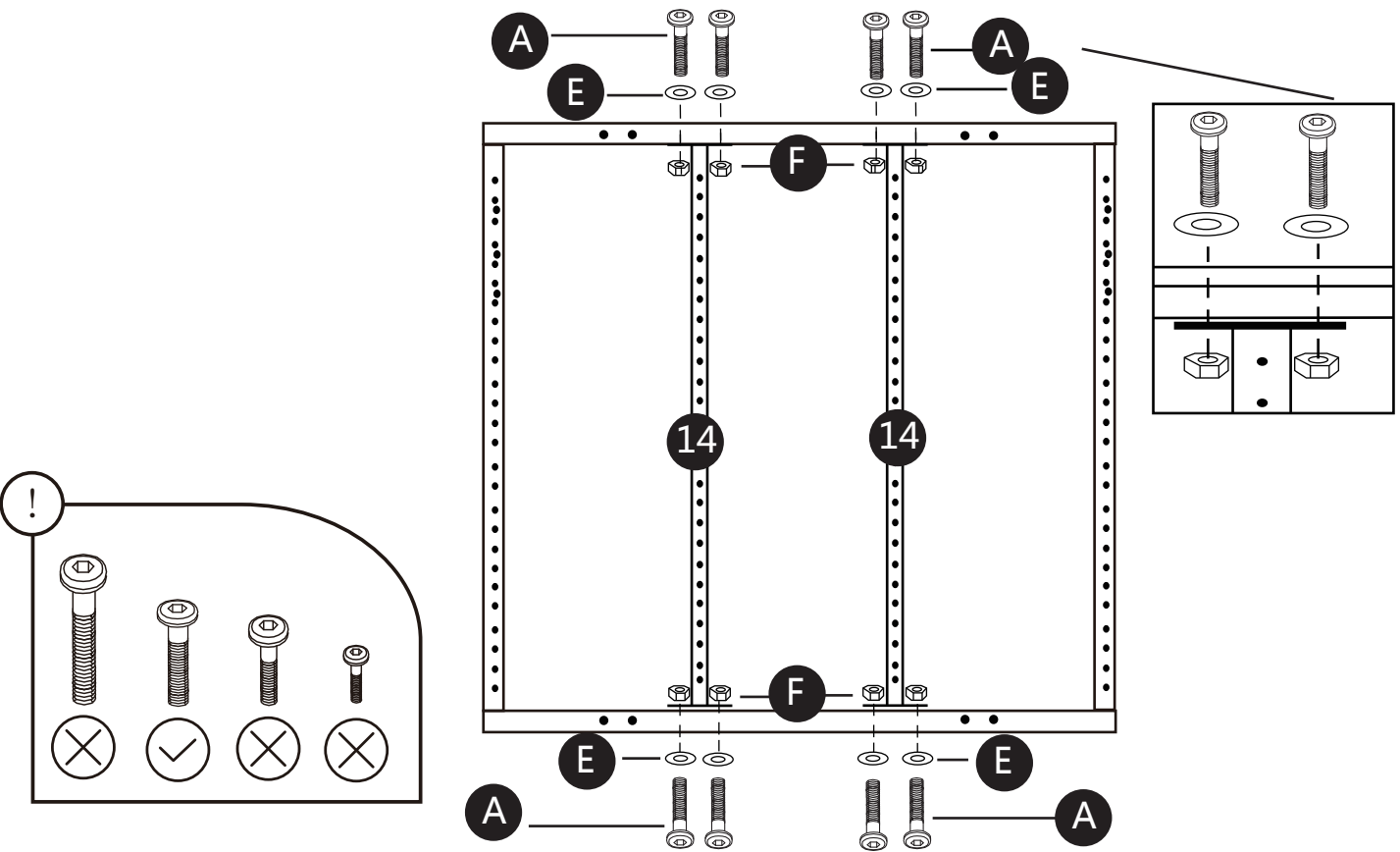
PARTS INVENTORY		
ID	DESCRIPTION	QTY
12	Up and Down Metal Frame 	2
13	Side Rail Connector 	2
14	Center Frame 	2
15	Center Floating Leg 	4
16	Headboard Back Non-woven Cloth 	1
17	Corner Bracket 	2
18	Bottom Non-woven Cloth 	1
19	Footboard Middle Bracket 	1
20	Left Headboard Wing 	1
21	Right Headboard Wing 	1

STEP 1



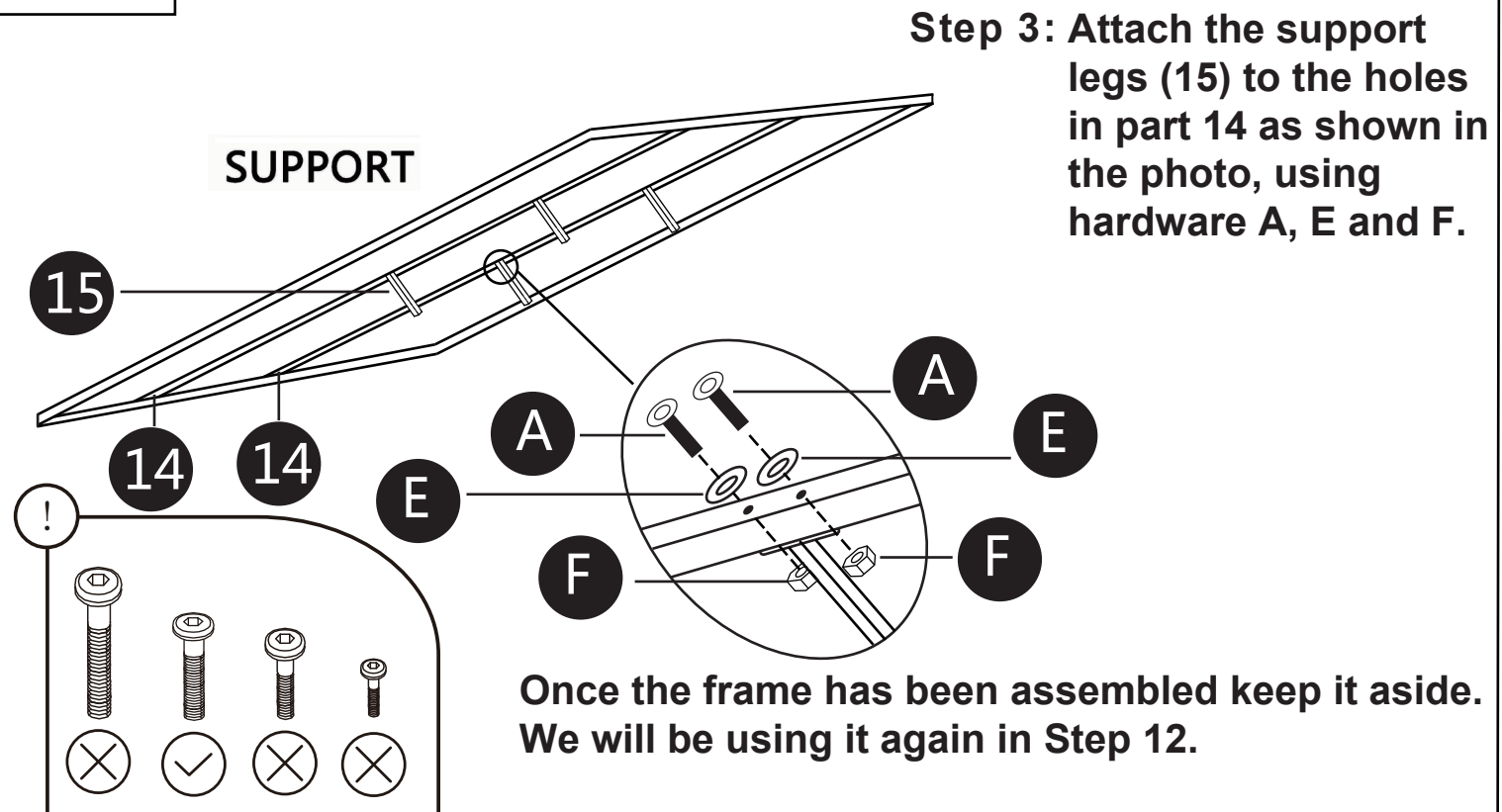
Step 1 : Attach parts 11 and 12 using hardware C and G.

STEP 2



Step 2 : Attach part 14 to both sides of part 12, using hardware A, E and F.

STEP 3

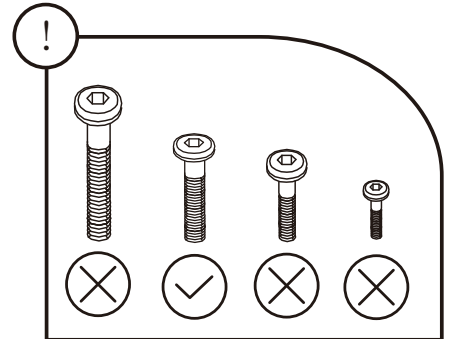
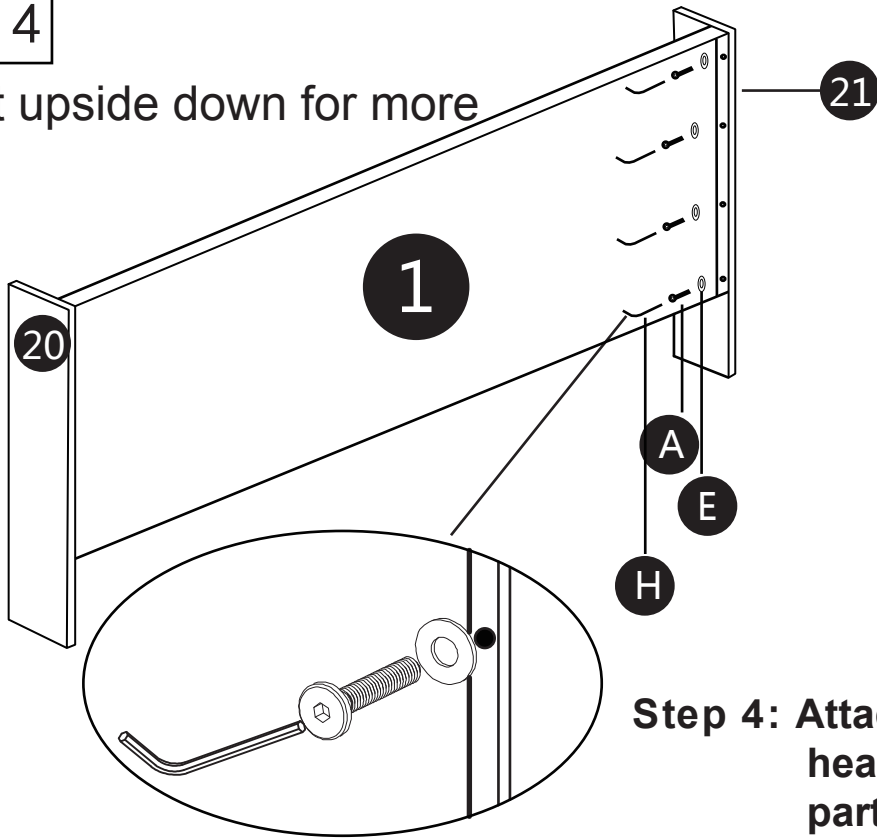


Step 3: Attach the support legs (15) to the holes in part 14 as shown in the photo, using hardware A, E and F.

Once the frame has been assembled keep it aside. We will be using it again in Step 12.

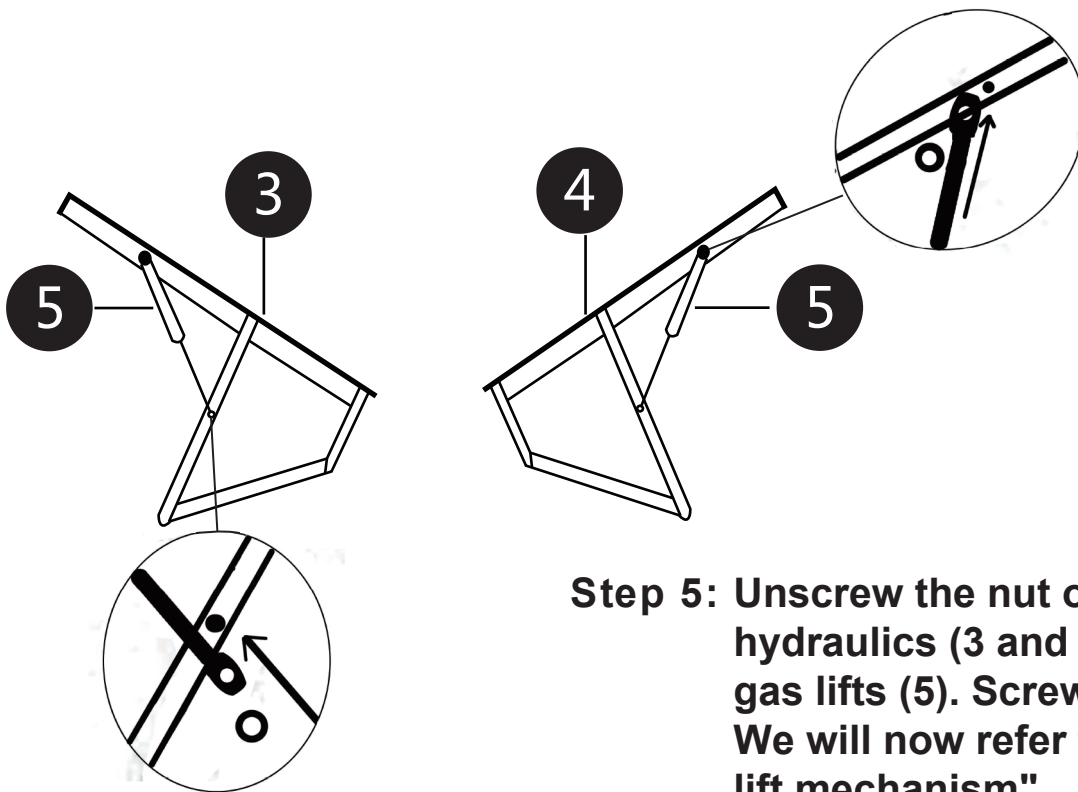
STEP 4

Turn it upside down for more ease.



Step 4: Attach parts 20 and 21 to the headboard using hardware parts H, A and E.

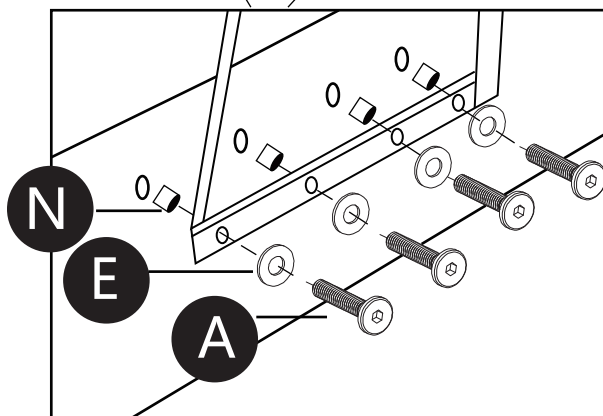
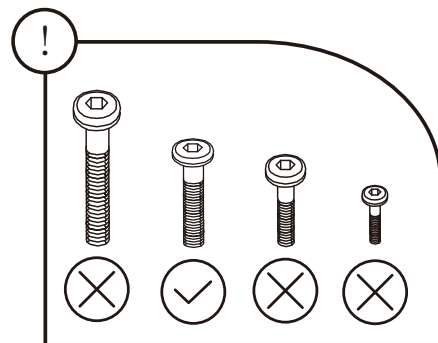
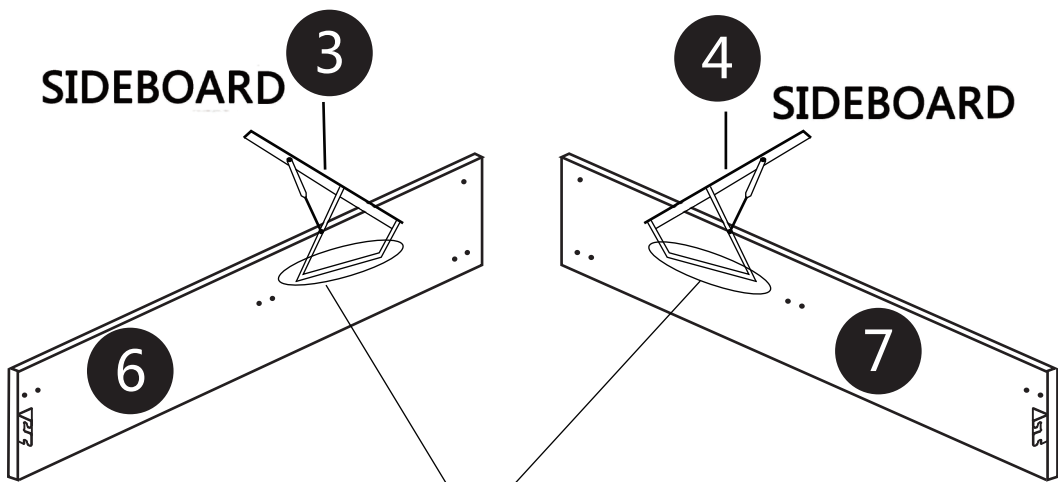
STEP 5



Step 5: Unscrew the nut on the left and right hydraulics (3 and 4) and attach the gas lifts (5). Screw the nut back on. We will now refer to this as the "gas lift mechanism".

The nut should only be tightened by hand and will not go all the way in. No tools needed.

STEP 6

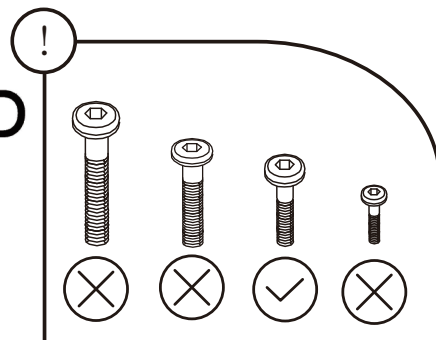
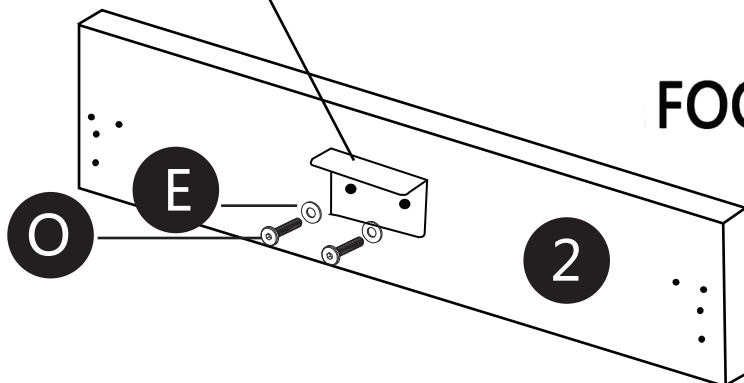
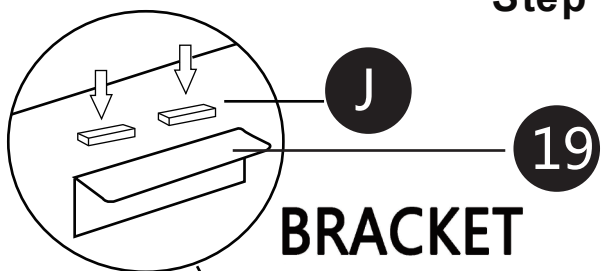


Step 6: Attach the gas lift mechanism (3 and 4) to the side rails 6 and 7 using hardware N, E and A.

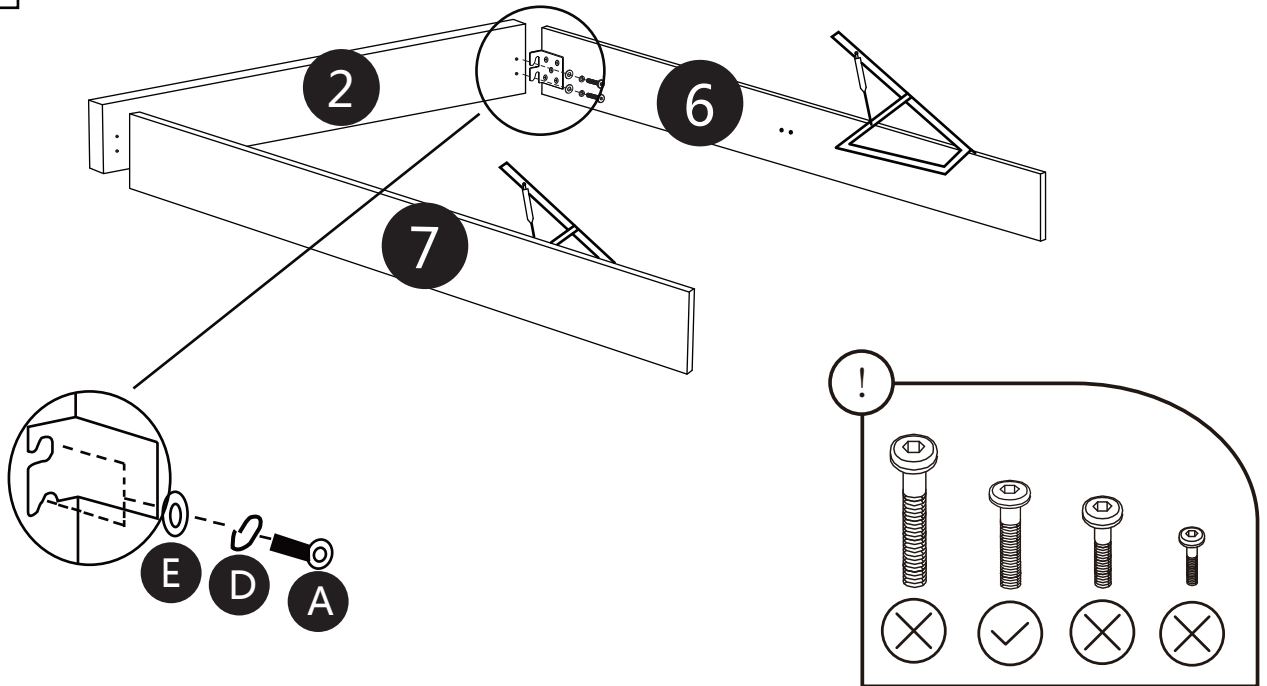
STEP 7

! stick the felts(J) on top of the bracket

Step 7: Attach brackets (19) to footboard (2) using hardware O and E.

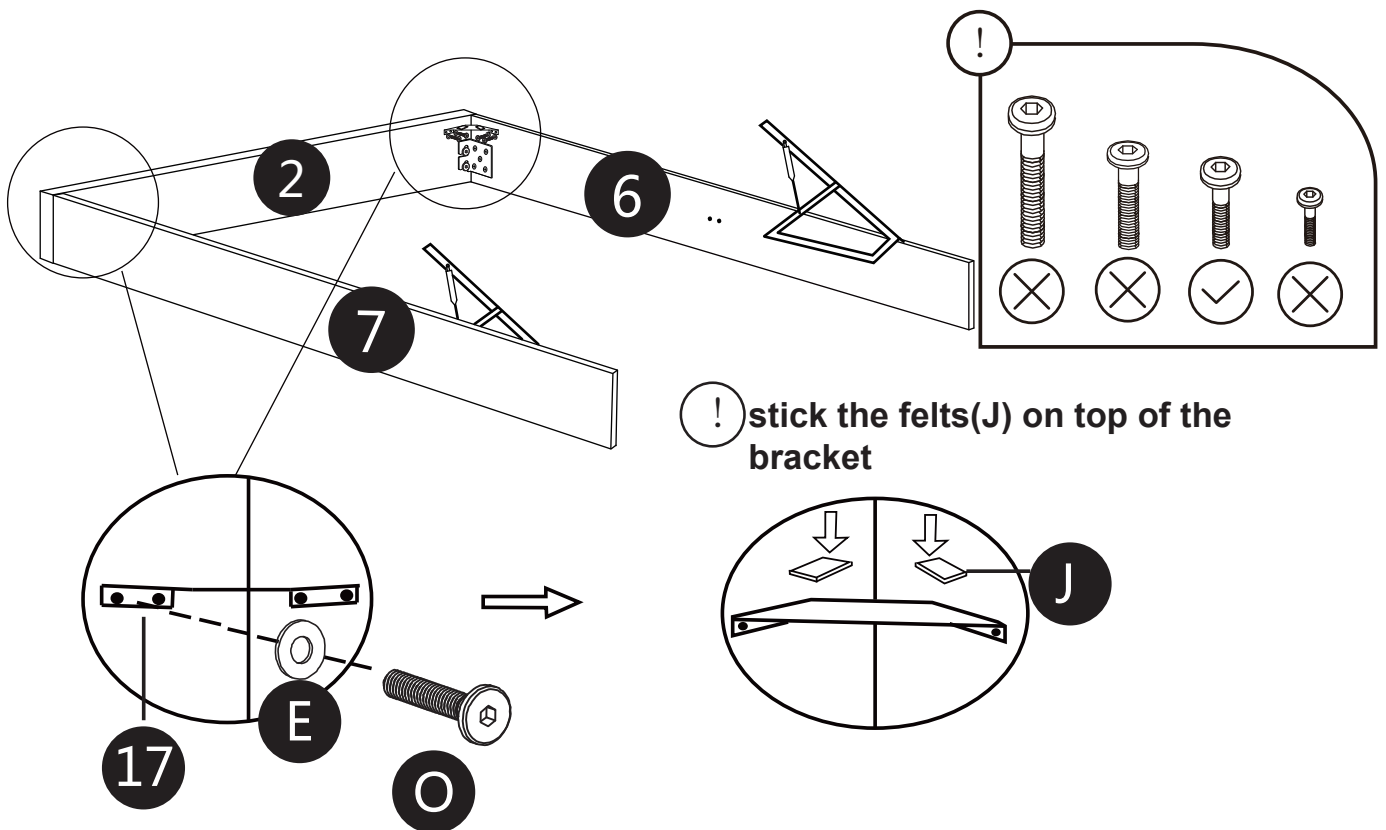


STEP 8



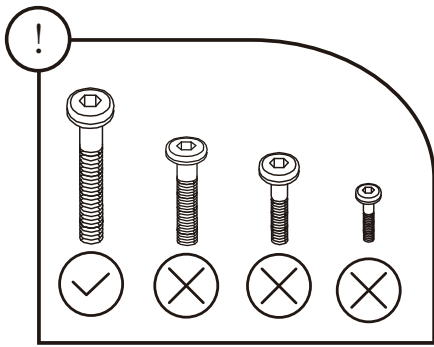
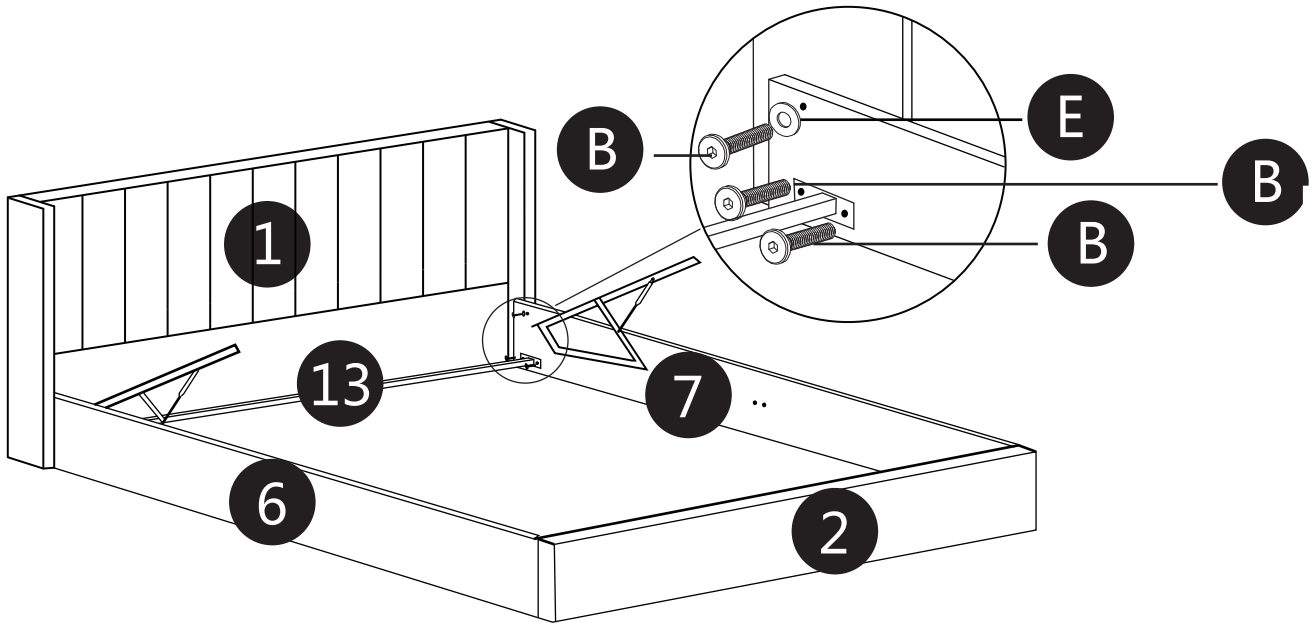
Step 8: Attach the side rails (6 and 7) to the footboard (2), using hardware E, D and A.

STEP 9



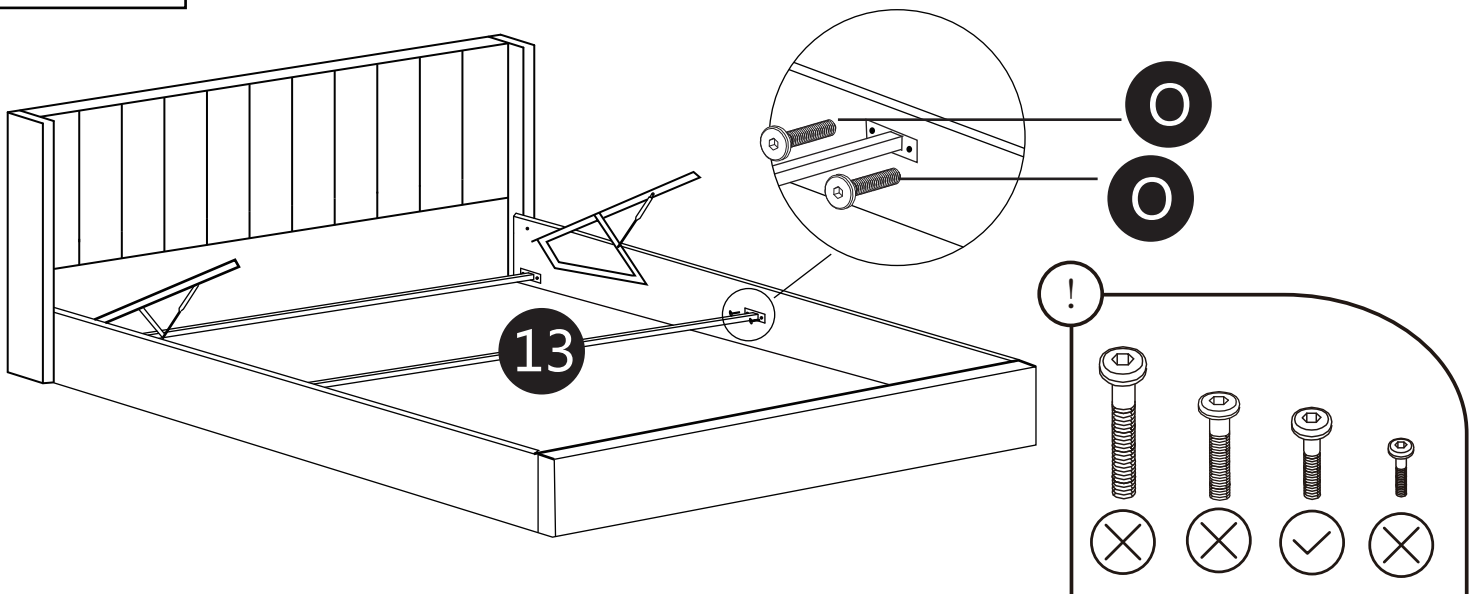
Step 9: Attach the corner bracket (17) to connect the side rails (6 and 7) to the footboard (2), using hardware E and O .

STEP 10



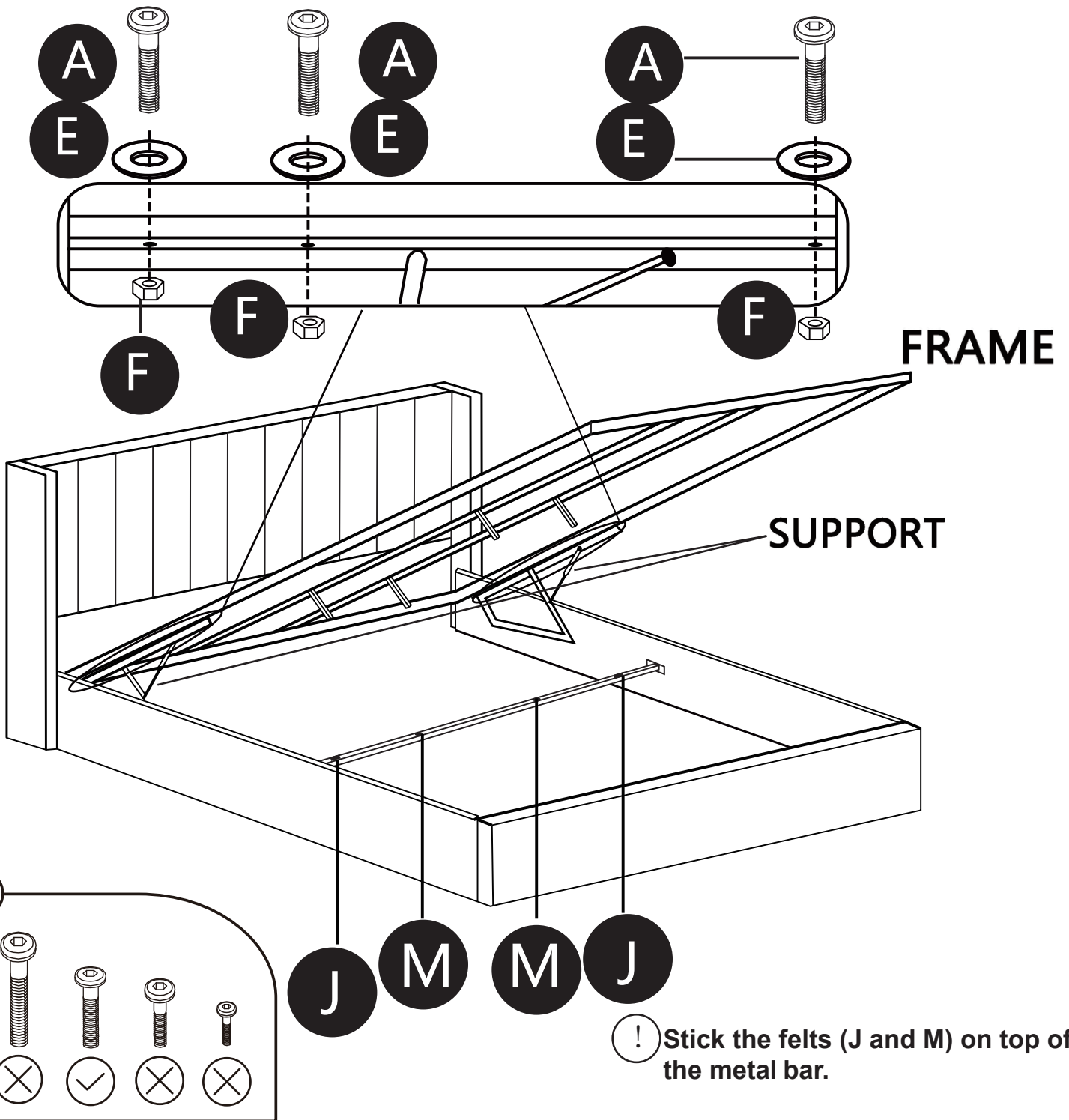
Step 10: Attach side rail connector (13) to the side rails (6 and 7) and head-board (1) using parts B and E.

STEP 11



Step 11: Attach the second side rail connector (13) to the centre of both side rails (6 and 7) using hardware O.

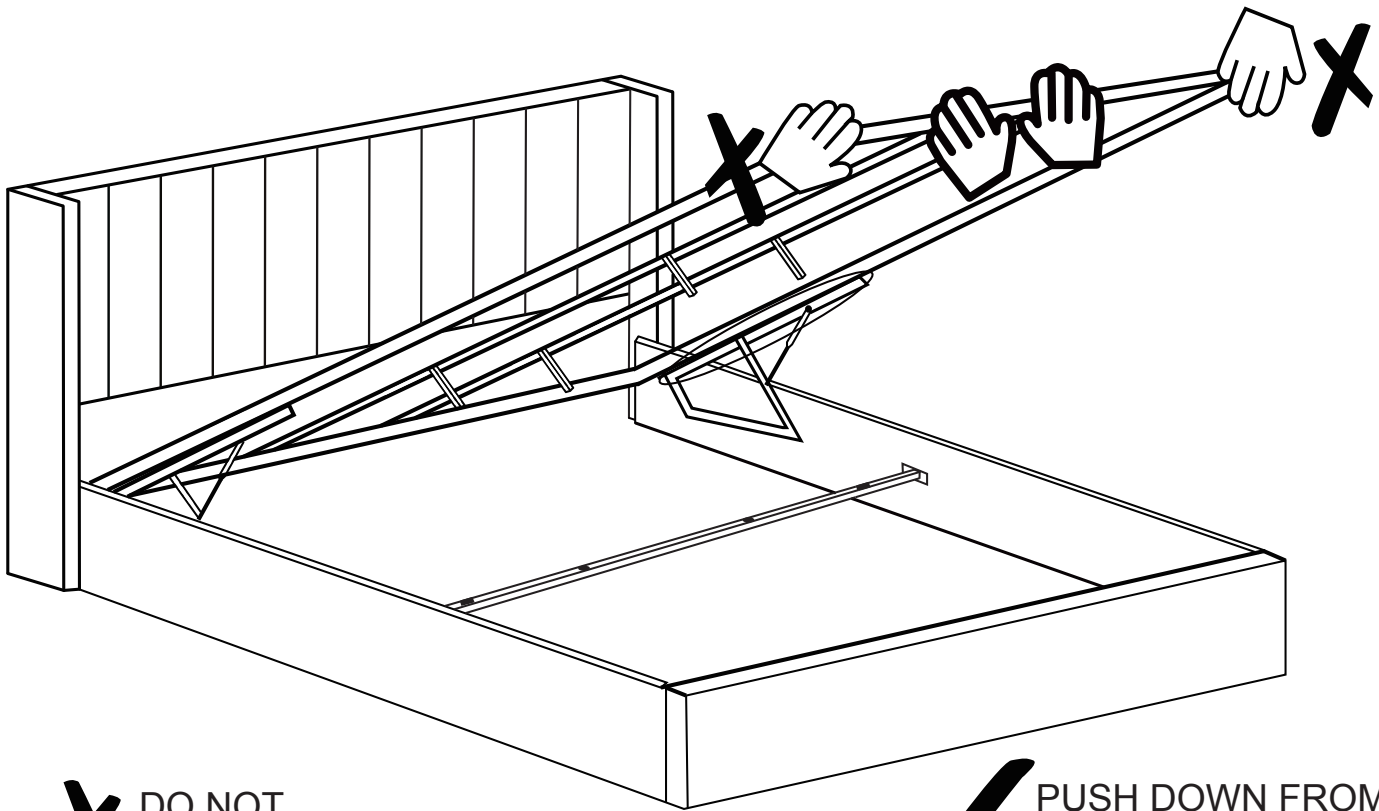
STEP 12



Step 12: Attach the frame that you built in the previous steps to the gas lift mechanism at a 45° angle (meaning it should be slanted as shown in the picture) using hardware A, E and F.

STEP 13

ONCE THE MATTRESS IS ON TOP, YOU CAN
OPEN & CLOSE THE BED SAFELY



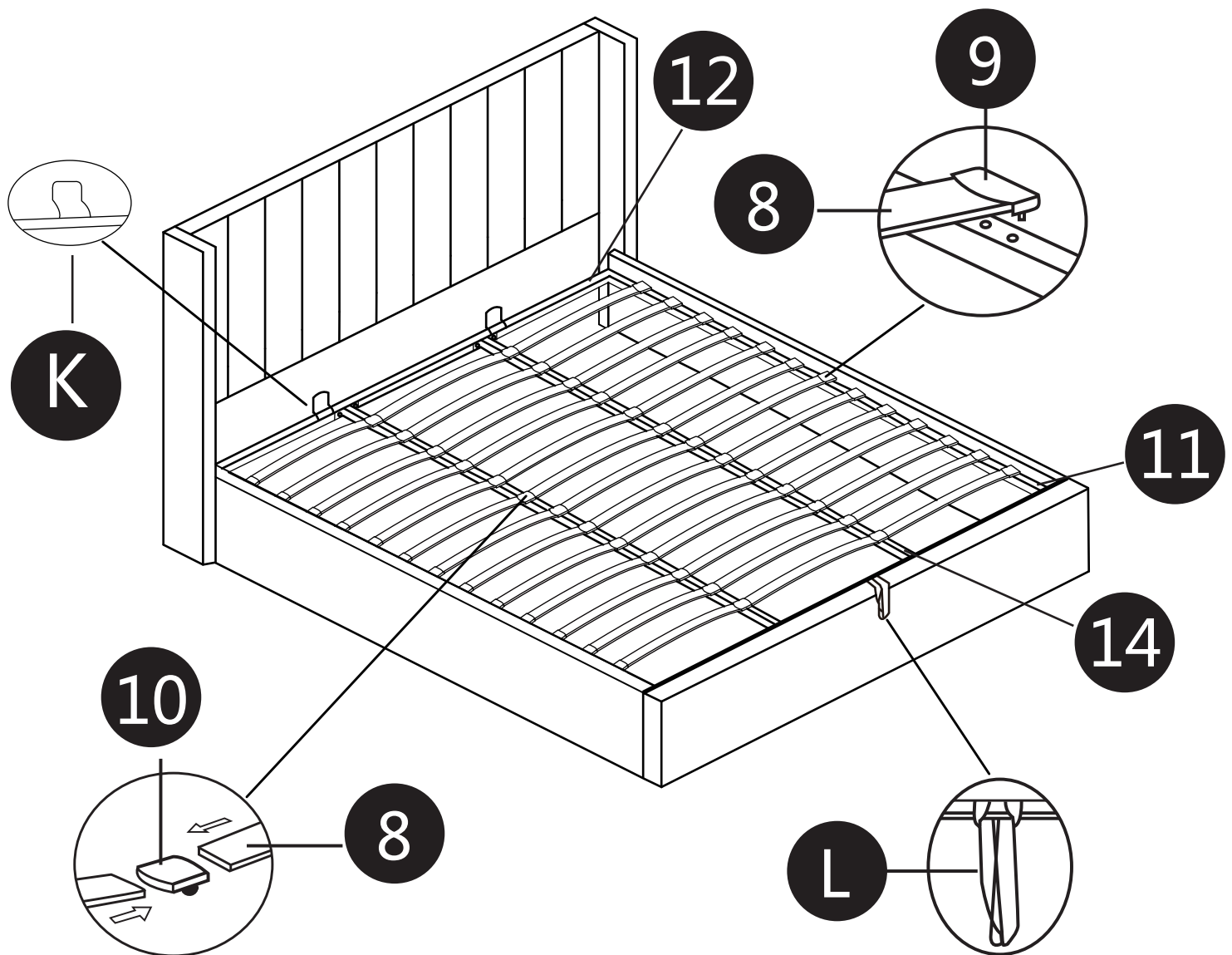
X DO NOT
PUSH DOWN ON ONE
OR EITHER SIDE

✓ PUSH DOWN FROM
THE MIDDLE USING
BOTH HANDS

Step 13:

Once all the nuts and bolts are tightened firmly, the first time you close the lifting mechanism, push down with extra pressure to force open the seals on the pistons.

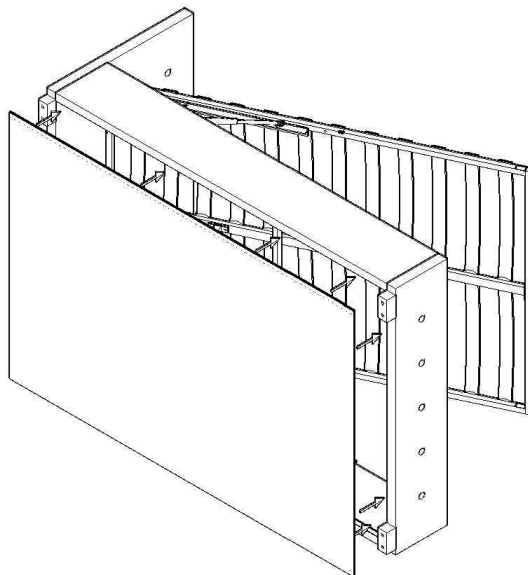
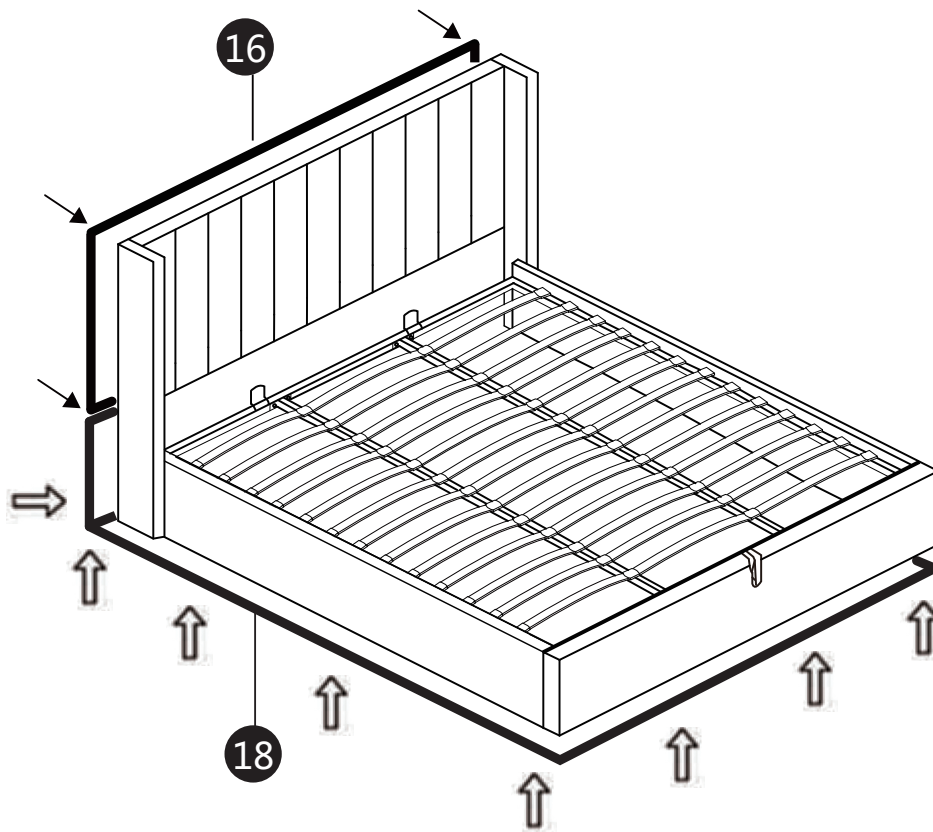
This will feel like a lot of pressure, so be firm and it will close!

STEP14

Step 14(a): Attach the slats (8) to the plastic clips and insert them into the holes of the metal bars (11 and 14). Clips open from both sides (10) will be attached to the middle bar (14), and clips open from one side (9) will be attached to the side bars (11).

Step 14(b): Attach part K to the part 12.

Step 14(c): Attach the gas lift ribbon (L) to the metal frame (12) by making a knot.

STEP15

Step 15a : Attach the non-woven fabric (18) to the bed. Start from the bottom of the bed and go halfway behind the headboard.

Step 15b : Attach the non-woven fabric (16) to the back of the headboard.

NOTE: The gaslift function works when you have a mattress on it. If you don't have a mattress on it, there is possibility it will not stay down.