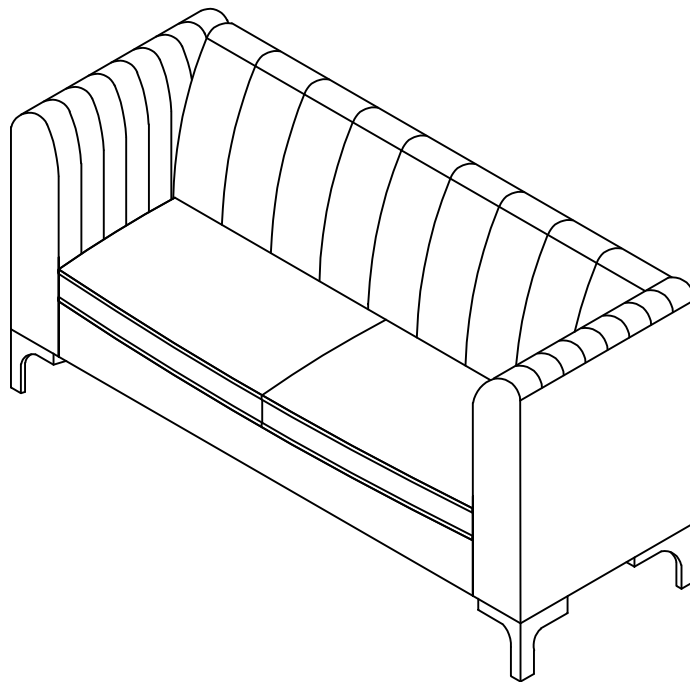


version 1.0

Meraki Imports

ASSEMBLY SHEET



ENIGMA LOVESEAT



No. of People: 2



NO power tools
required.



Time: 2 hours



Use a damp
cloth to clean.



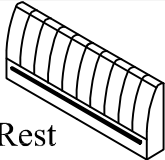
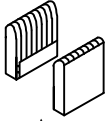
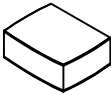
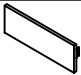



Level of
difficulty: 3/4

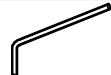
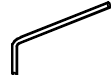
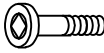


ASSEMBLY INSTRUCTIONS

Thank you for making a purchase with Meraki Imports. The goal of this assembly sheet is to help you assemble the product in a way that will contribute to its longevity and durability. Kindly follow all the instructions carefully to ensure a safe and accurate assembling process.

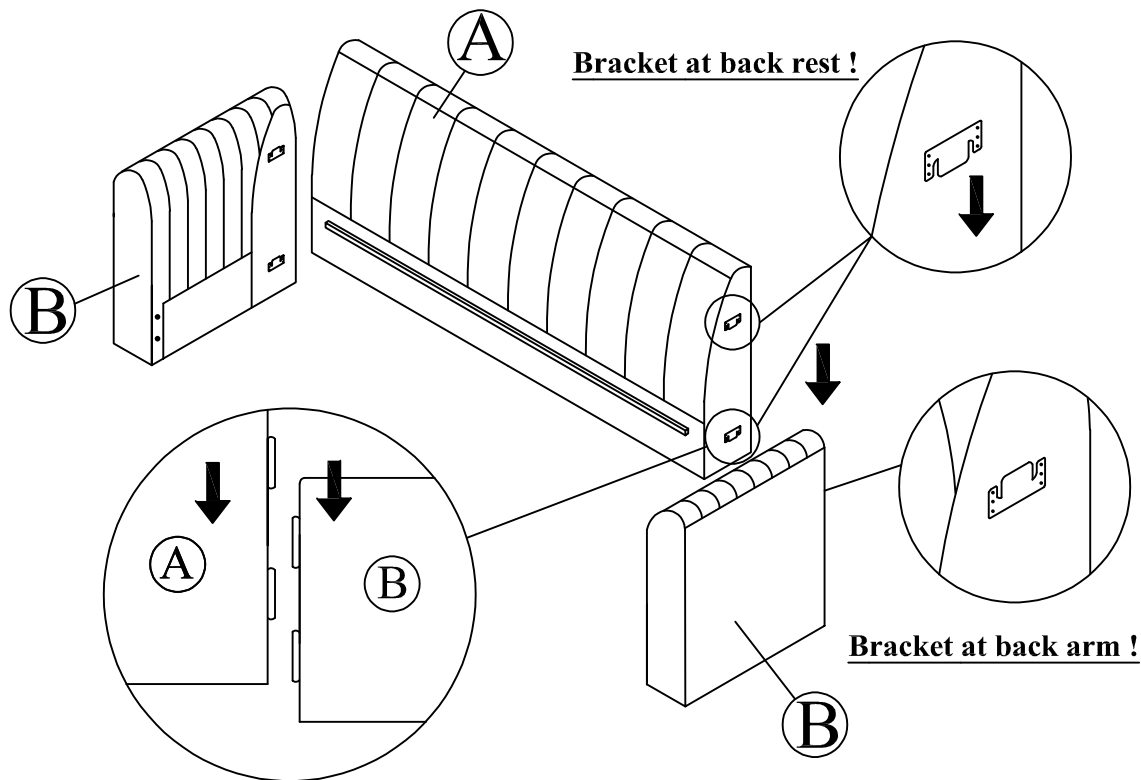
A few important things to note:

- Please do not use a power tool to assemble this product. Using one may hinder and/or damage the item and will invalidate any claims for warranty.
- Depending on the amount of use this product receives, it may be recommended to tighten up the fixings from time to time. This is completely normal!
- Do not drag the bed. Always lift with at least two people to avoid injury or damage.

PART LIST		
A	 Back Rest	1 pc
B	 Arm	2 pcs
C	 Sitter	2 pcs
D	 Side Rail	1 pc
E	 Legs	4 pcs
F	 Slat	8 pcs
G	 End Holder	16 pcs

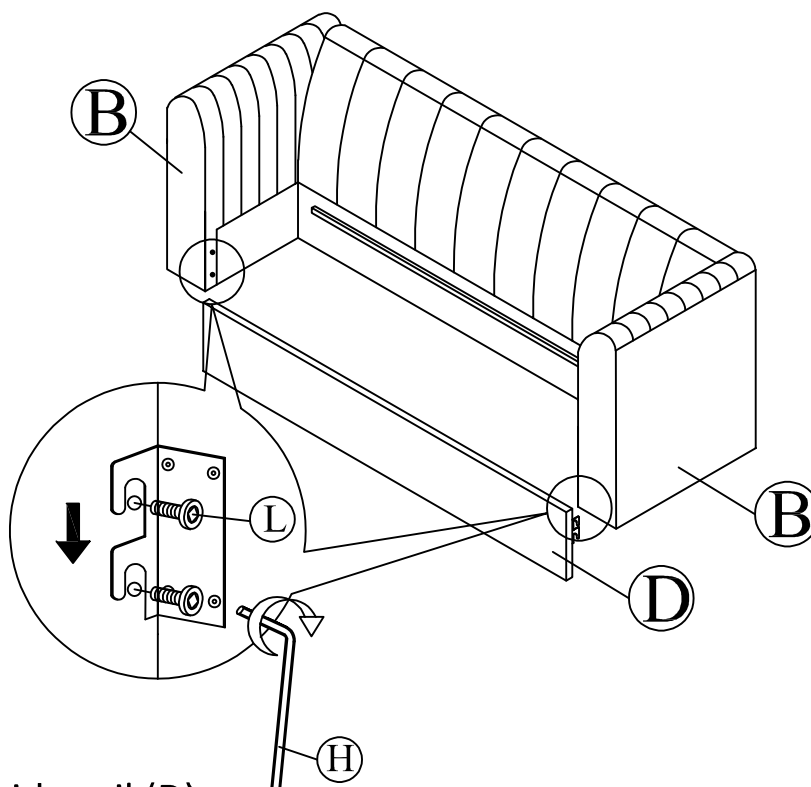
HARDWARE LIST		
H	 M5 x 70 mm	1 pc
I	 M4 x 65 mm	1 pc
J	 JCBC M6 X 30	8 pcs
K	 Flat Washers	8 pcs
L	 JCBB M8 X 20	4 pcs

STEP 1



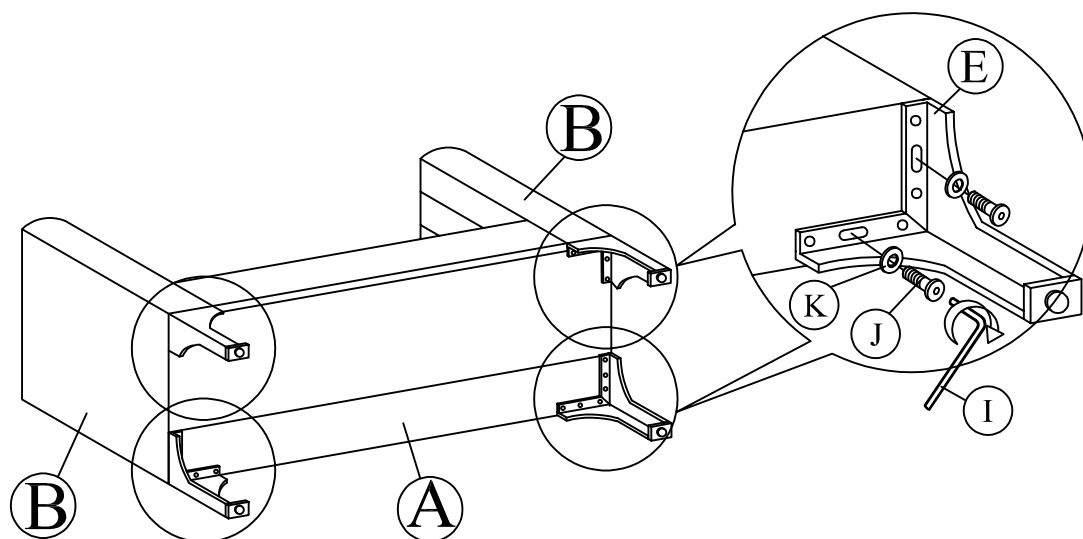
Step 1 : Attach the arm (B) to the back rest (A) by pushing the bracket down to fit it.

STEP 2



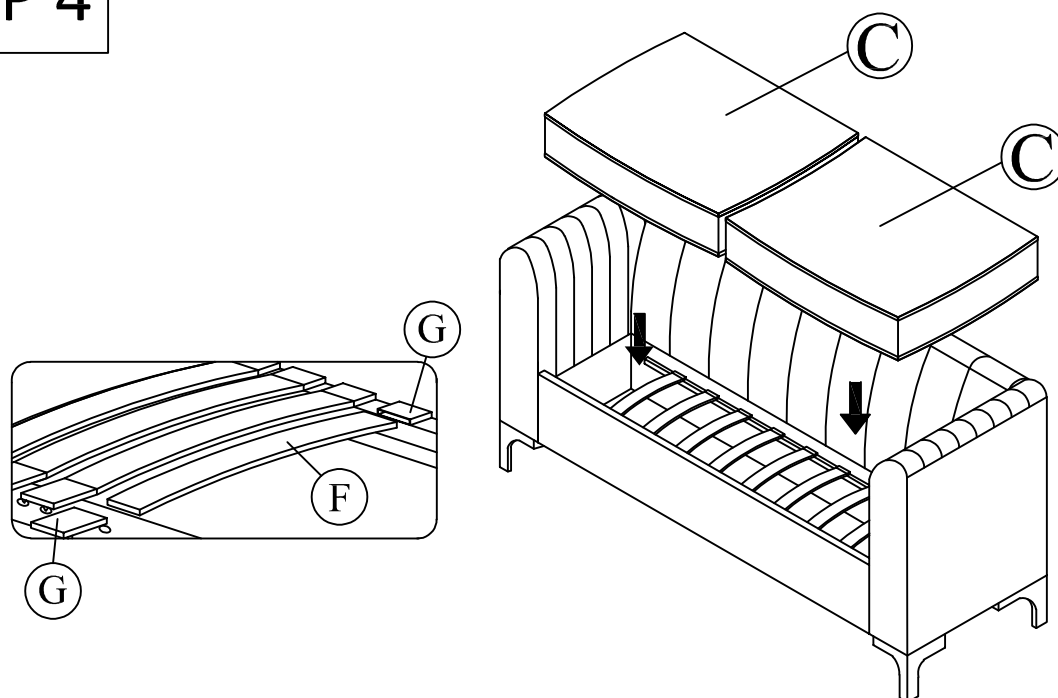
Step 2 : Attach the side rail (D) to the arm (B).

STEP 3



Step 3 : Install the legs (E) to back rest (A) and arm (B).

STEP 4



Step 4 : Assembly of the slat holders with LVL slats as shown. Attach the sitter (C) to the arm (B), side rail (D) and back rest (A).