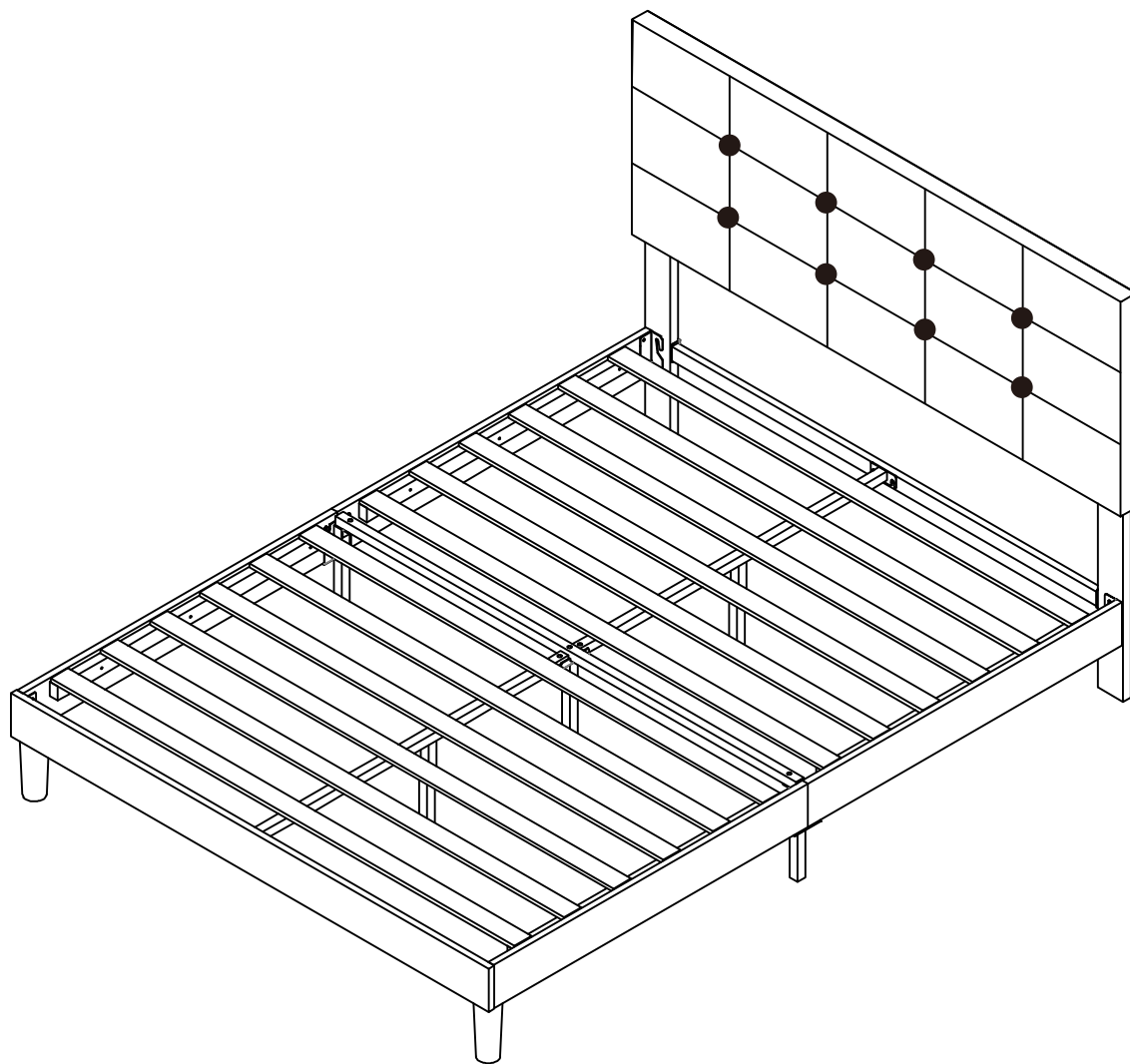


# aykah

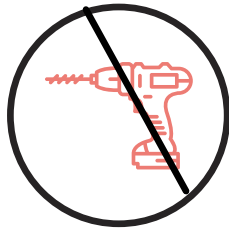
## ASSEMBLY SHEET



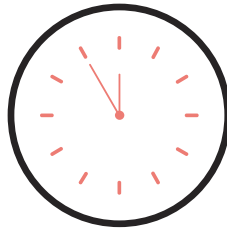
# DORA



No. of People: 1



NO power tools required.



Time: 1 hour(s)



Use a damp cloth to clean.










Level of difficulty: 2/4

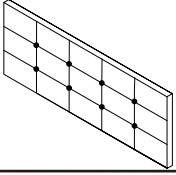
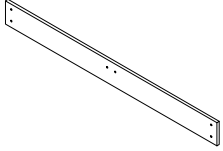
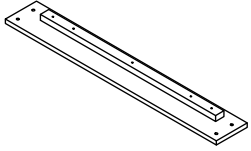
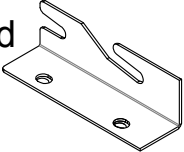
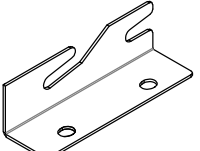
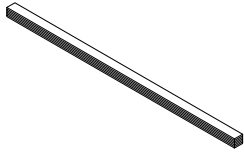
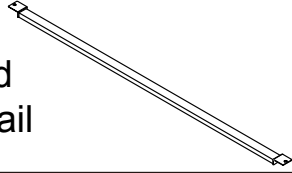
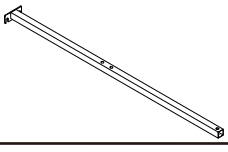
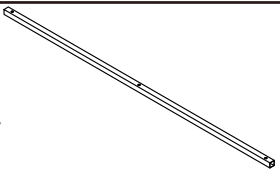
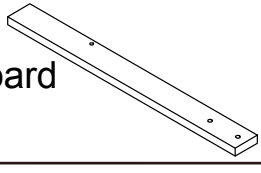
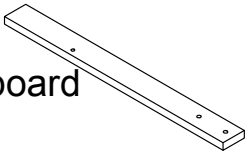
## ASSEMBLY INSTRUCTIONS

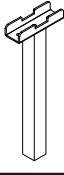
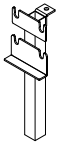

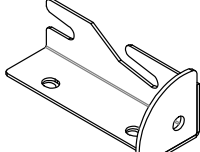
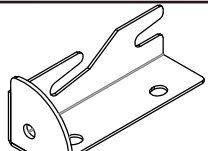

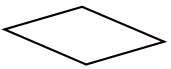
Thank you for making a purchase with Aykah. The goal of this assembly sheet is to help you assemble the product in a way that will contribute to its longevity and durability. Kindly follow all the instructions carefully to ensure a safe and accurate assembling process.

A few important things to note:

- Please do not use a power tool to assemble this product. Using one may hinder and/or damage the item and will invalidate any claims for warranty.
- Depending on the amount of use this product receives, it may be recommended to tighten up the fixings from time to time. This is completely normal!
- Do not drag the bed. Always lift with at least two people to avoid injury or damage.

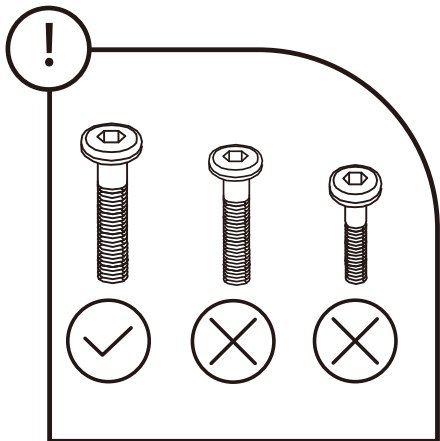
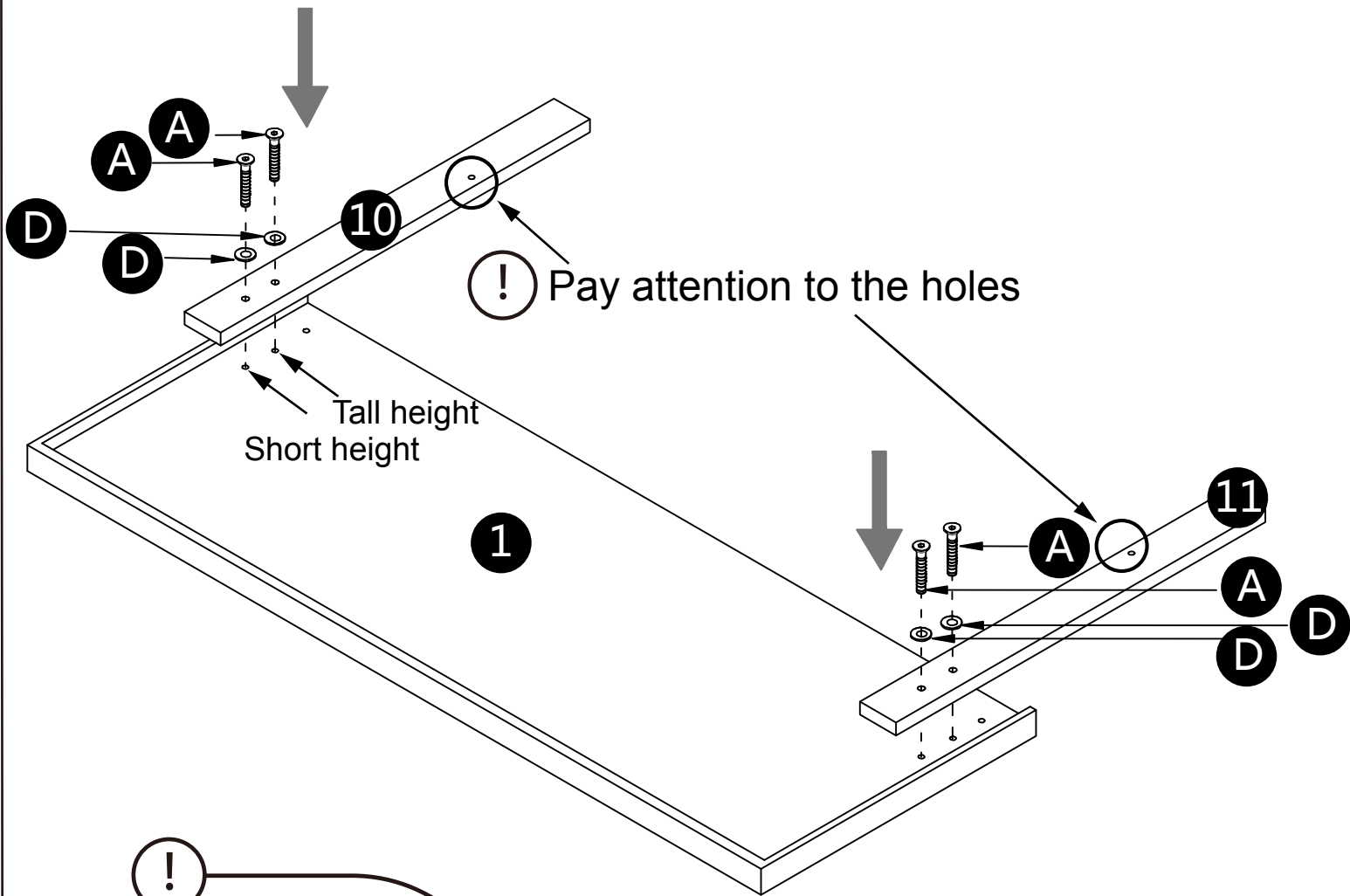
PARTS INVENTORY		
ID	DESCRIPTION	QTY
A	M8*45 BOLT 	13
B	M8*25 BOLT 	6
C	M8*16 BOLT 	24
D	FLAT WASHER M8 	39
E	NUT 	4
F	ALLEN KEY 	1
G	OPEN SPANNER 	1

PARTS INVENTORY		
ID	DESCRIPTION	QTY
1	Headboard 	1
2	Footboard 	1
3	Side Rail 	4
4	Right Headboard Connector 	1
5	Left Headboard Connector 	1
6	Slats 	2
7	Headboard Support Rail 	1
8	Center Frame 	2
9	Side Rail Connector 	1
10	Left Headboard Legs 	1
11	Right Headboard Legs 	1

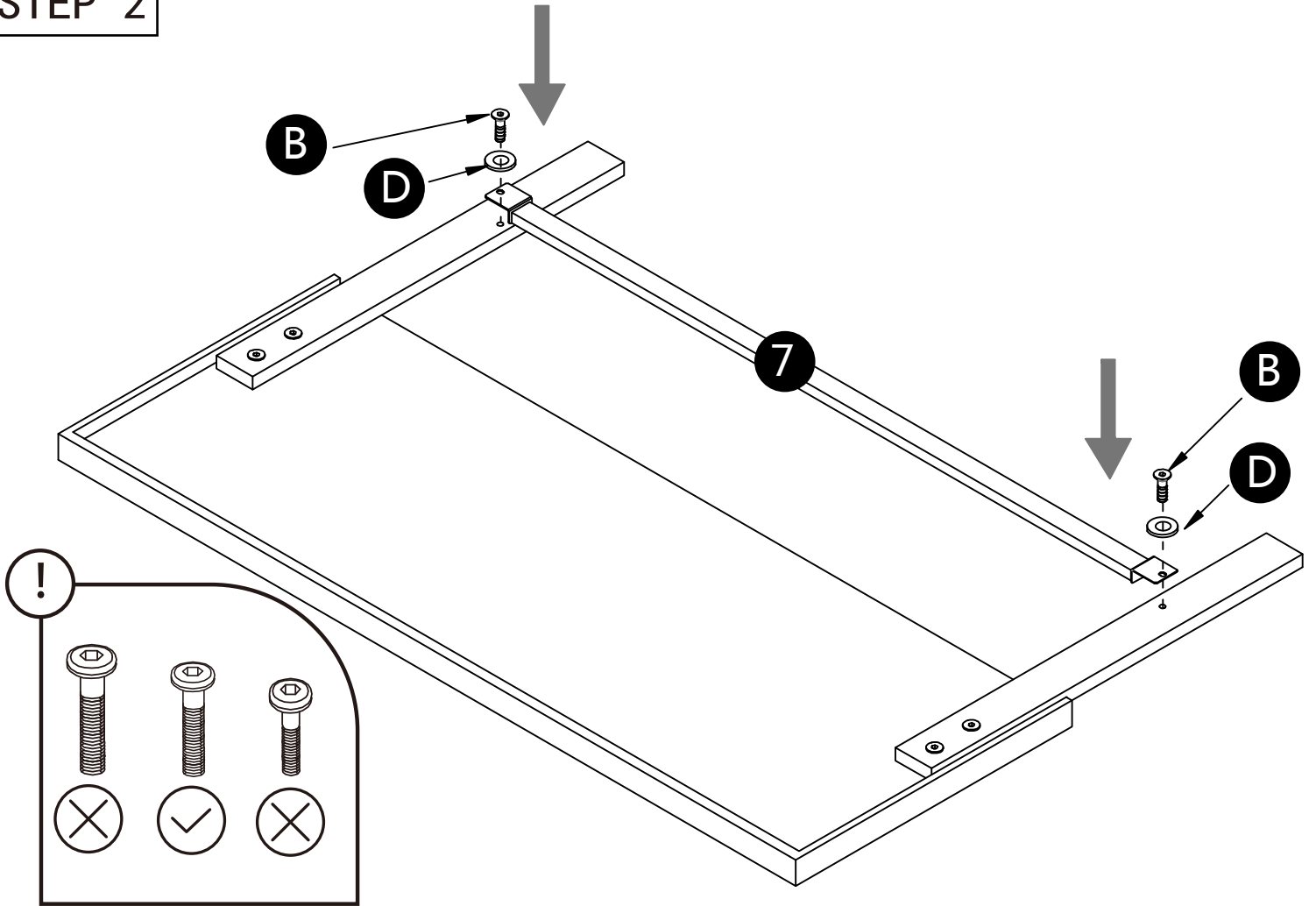
PARTS INVENTORY		
ID	DESCRIPTION	QTY
12	Center Floating Legs 	1
13	Center Rail Legs 	2
14	Wood Legs 	2
15	Right Footboard Connector 	1
16	Left Footboard Connector 	1
17	Center Floating Legs 	2
18	Non-woven Cloth 	1

STEP 1

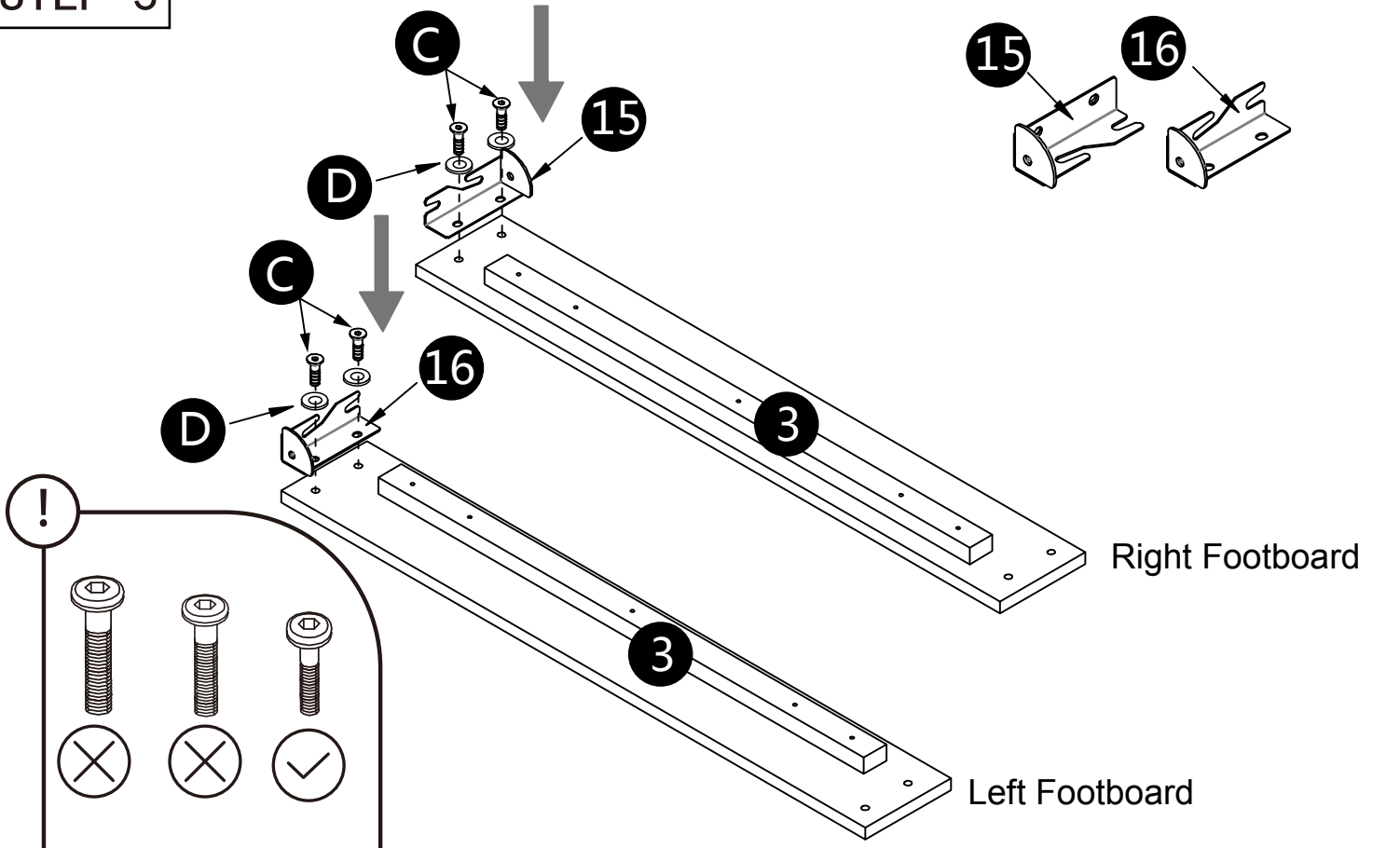
Two adjustable heights



STEP 2



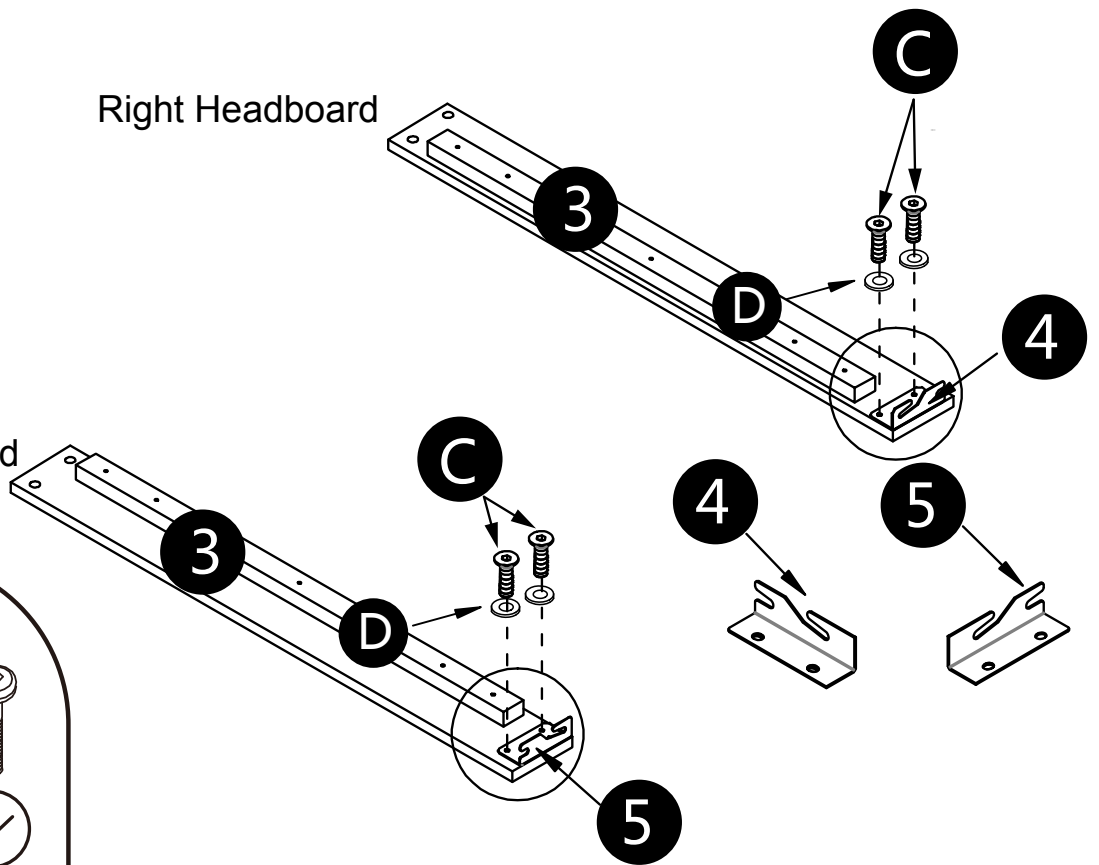
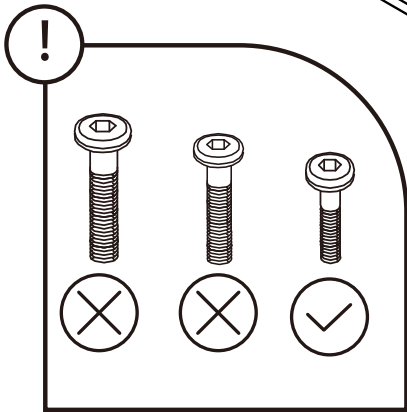
STEP 3



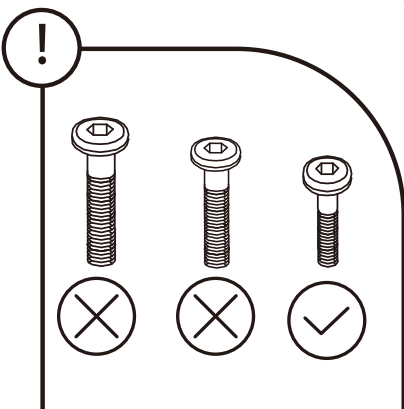
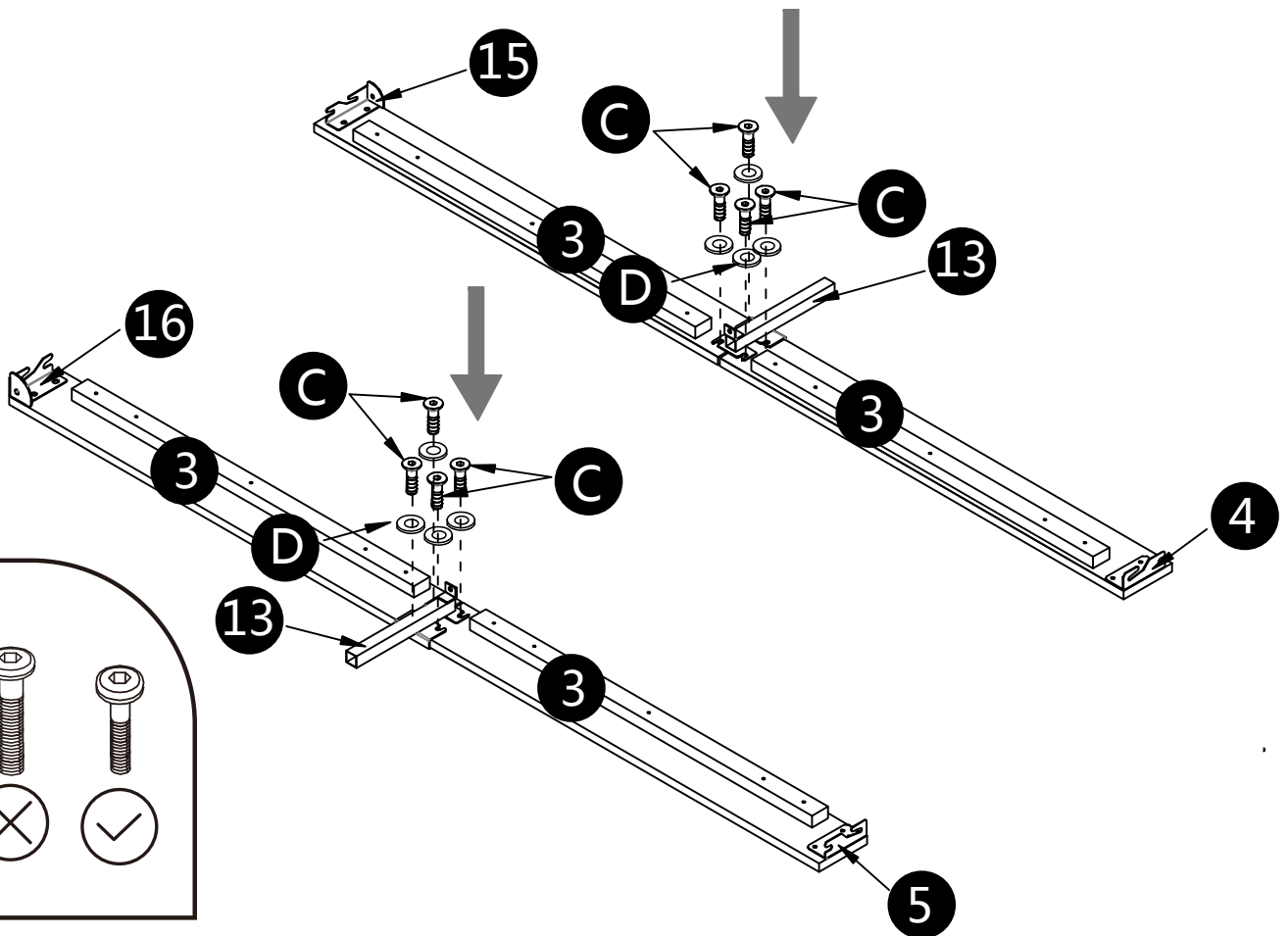
STEP 4

Right Headboard

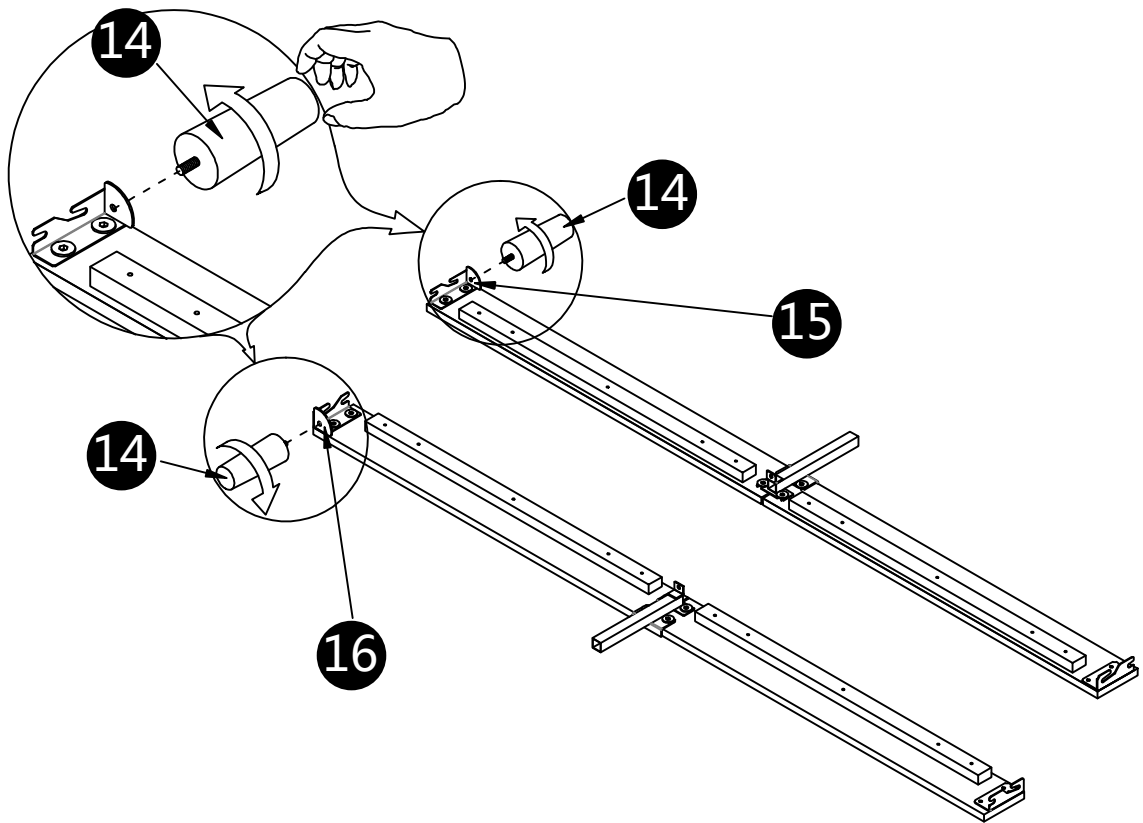
Left Headboard



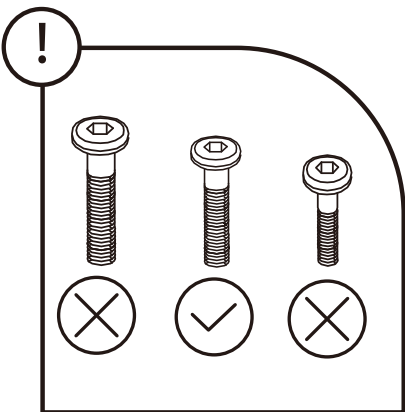
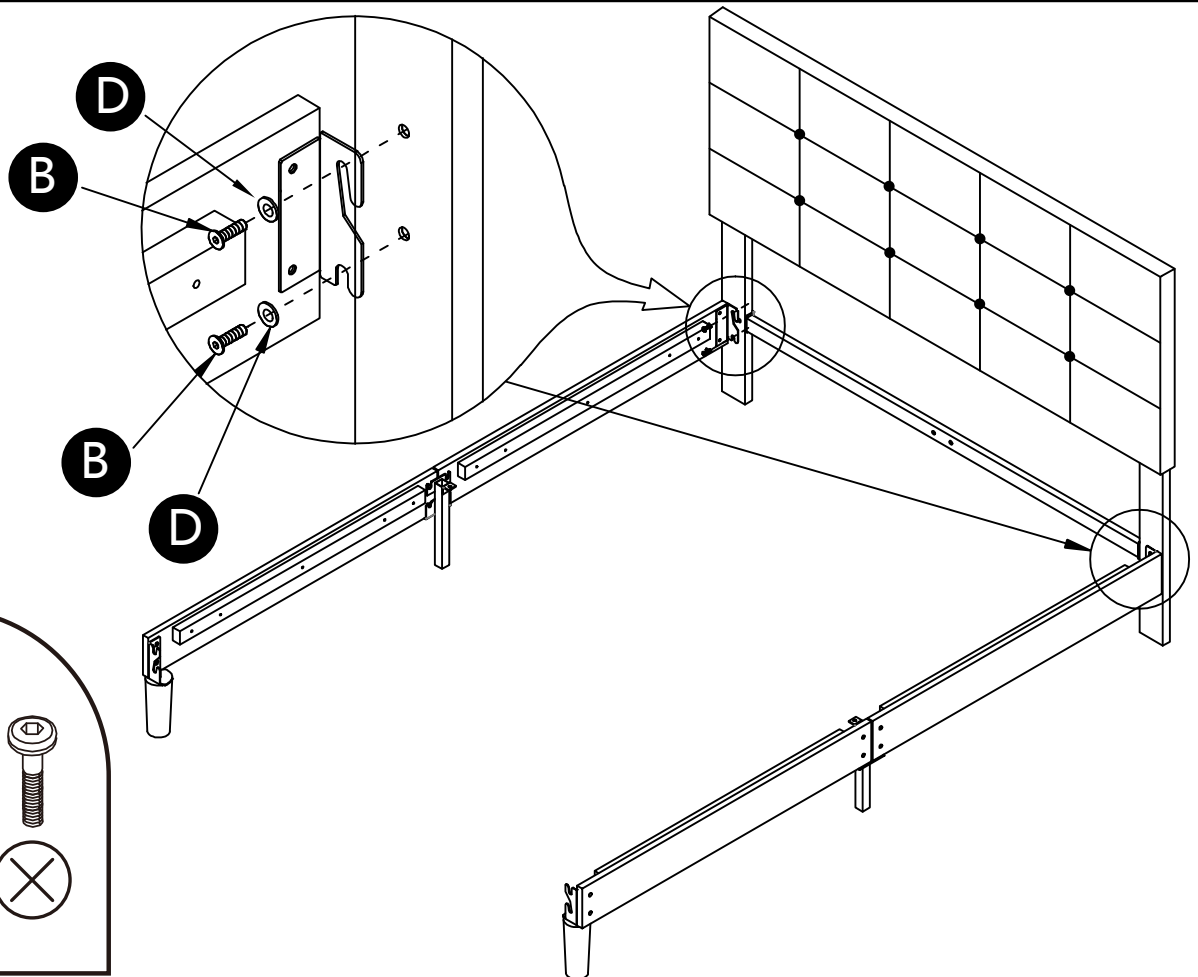
STEP 5



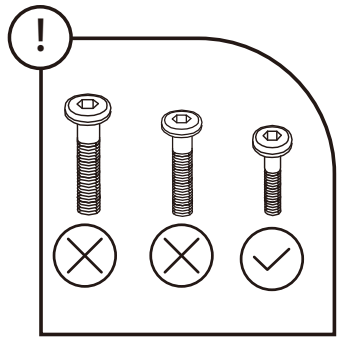
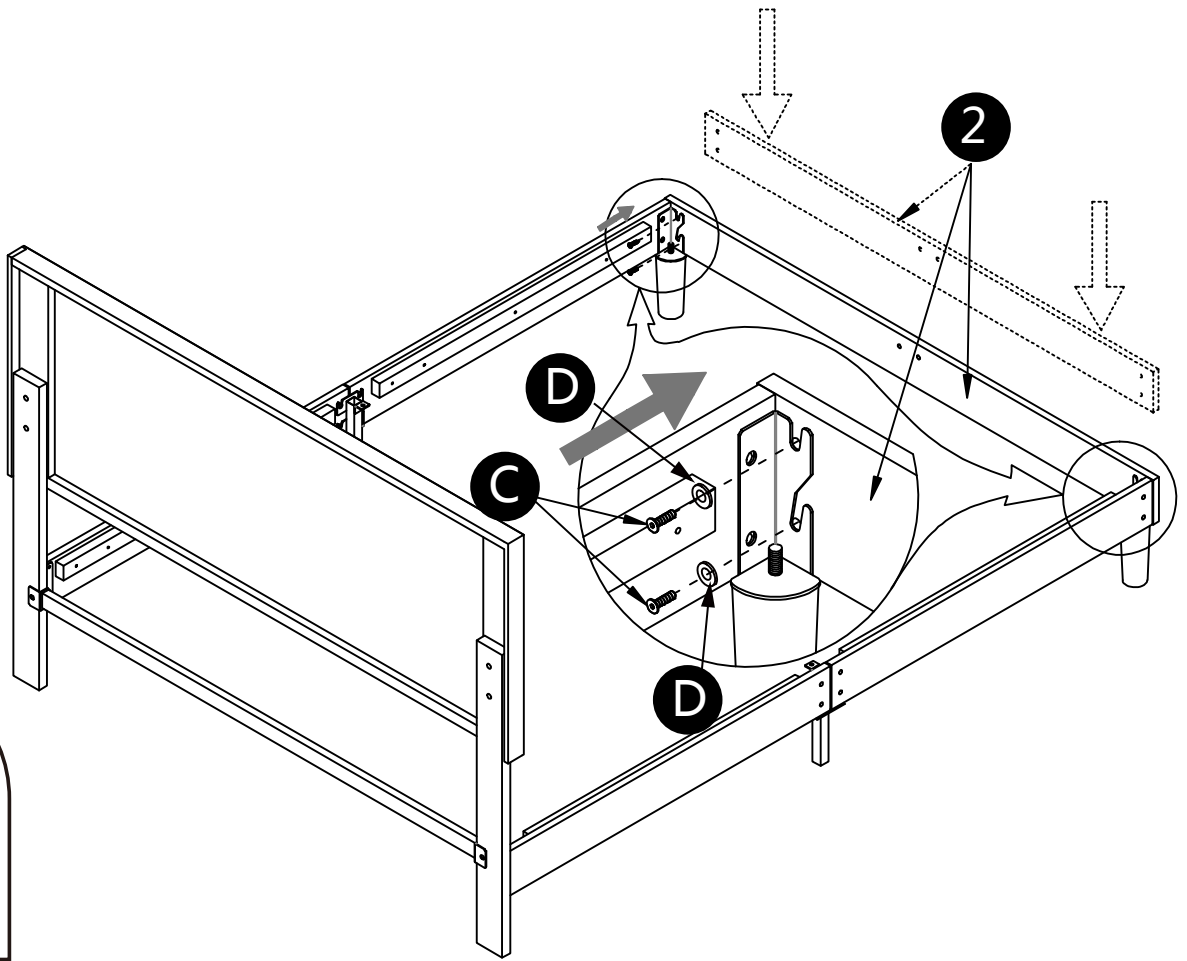
STEP 6



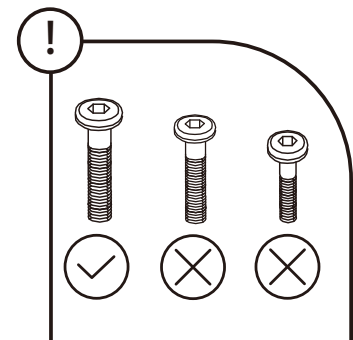
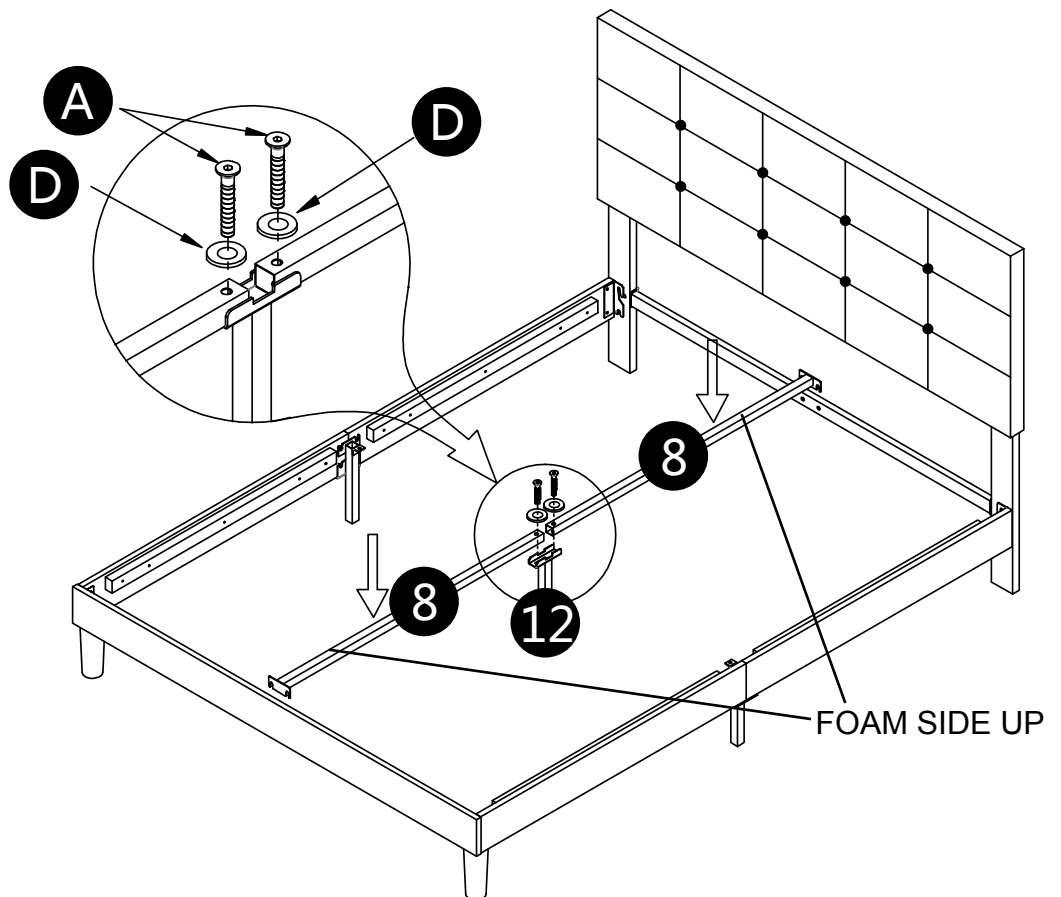
STEP 7



STEP 8

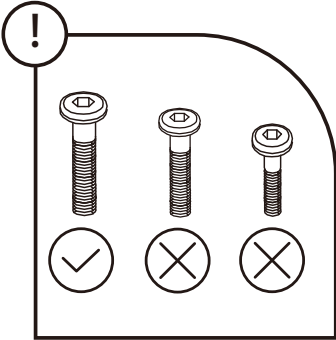
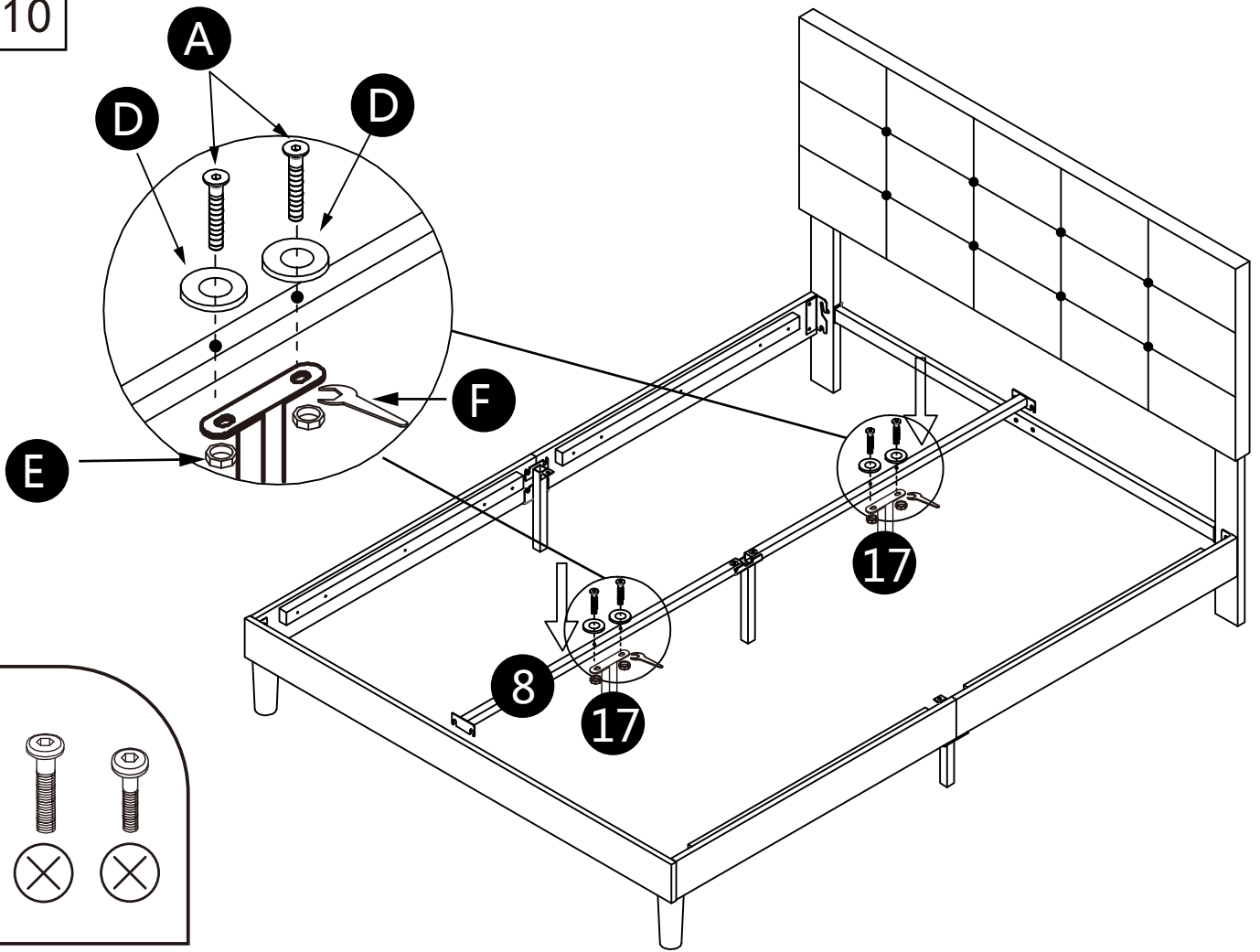


STEP 9

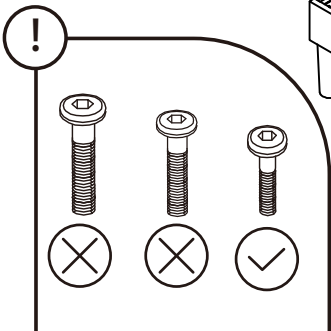
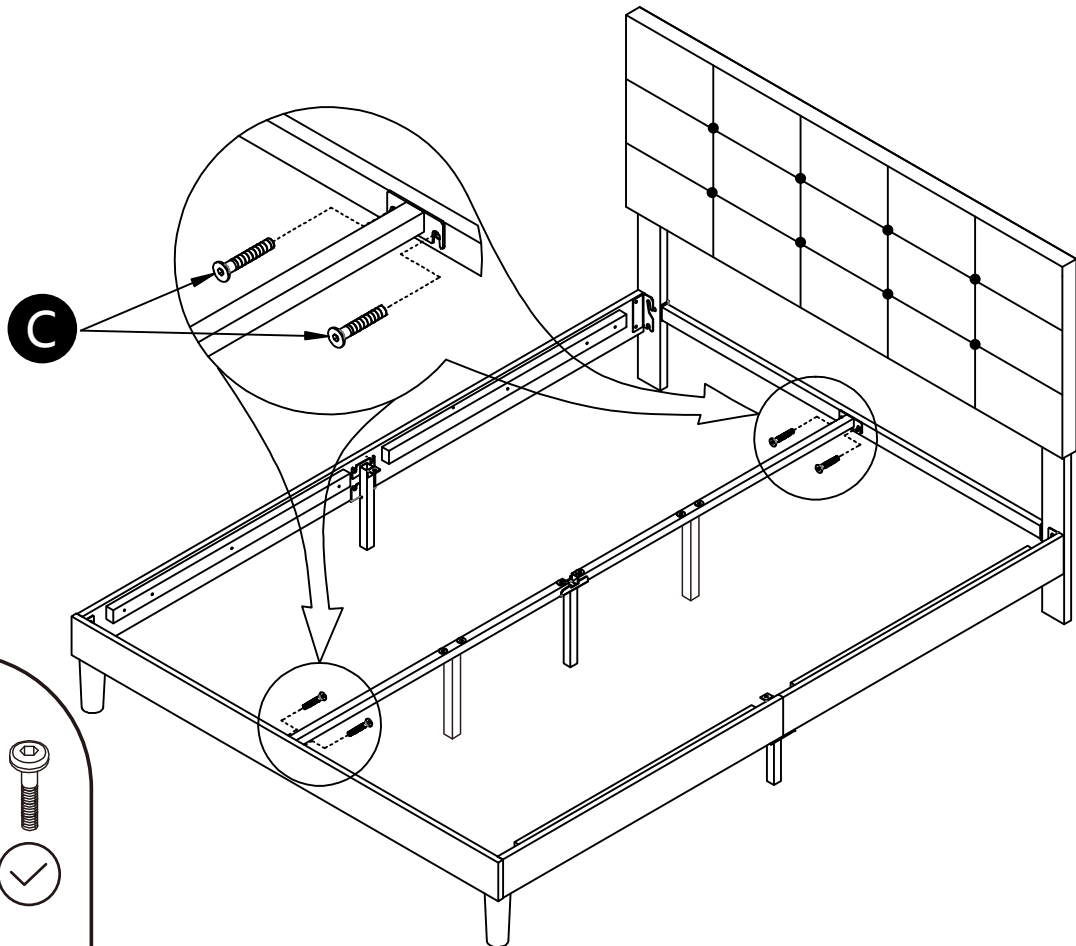




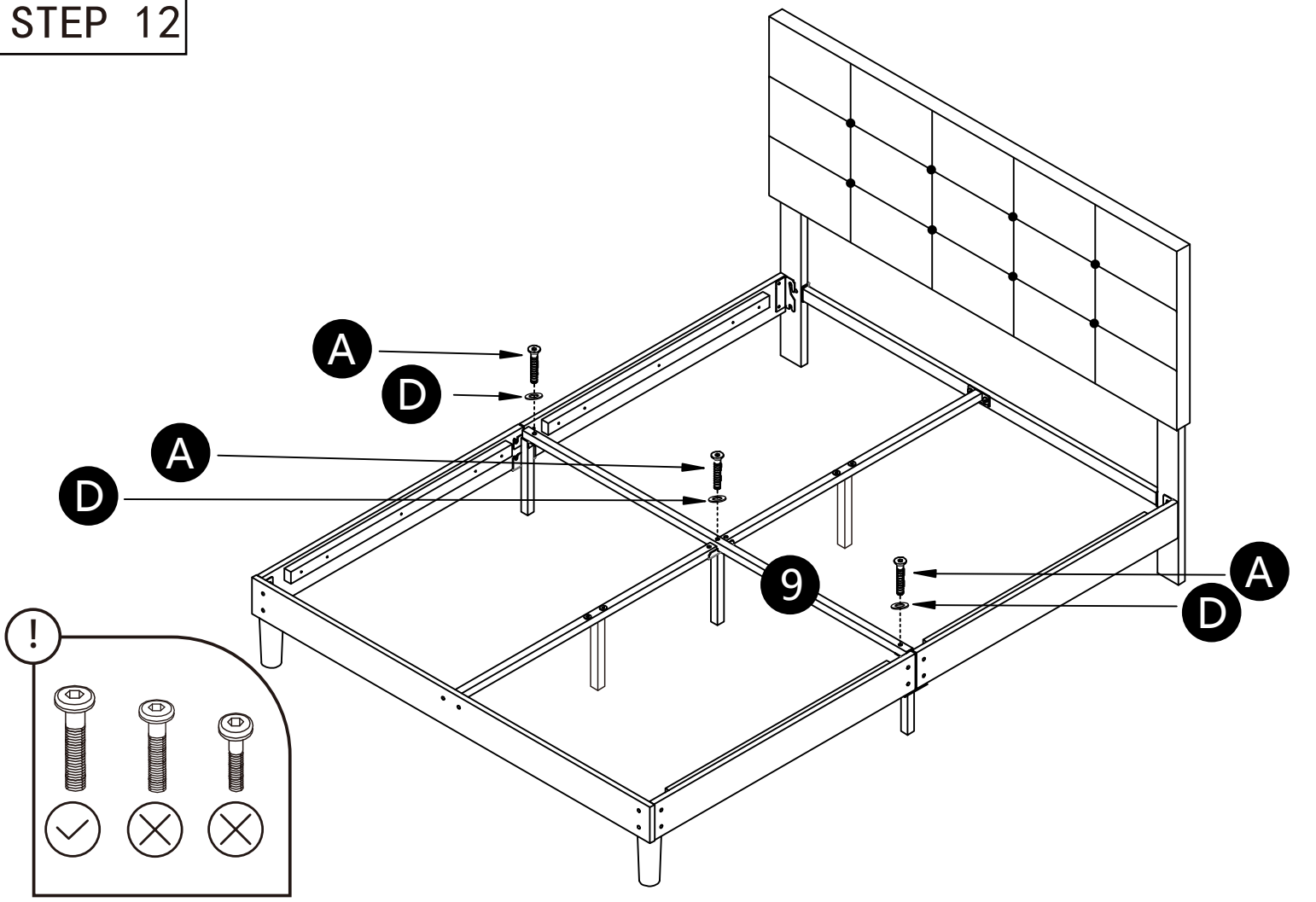
STEP 10



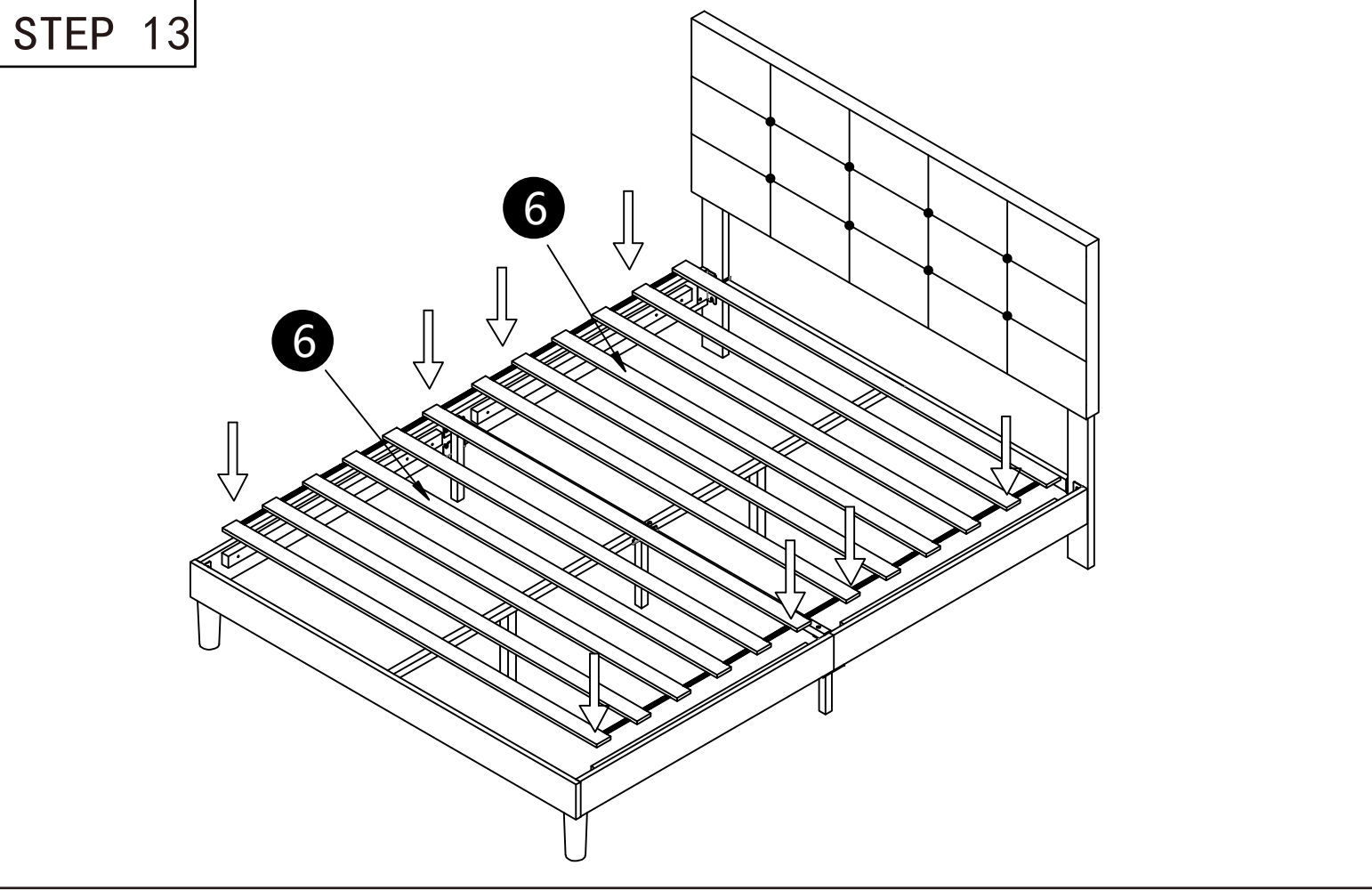
STEP 11



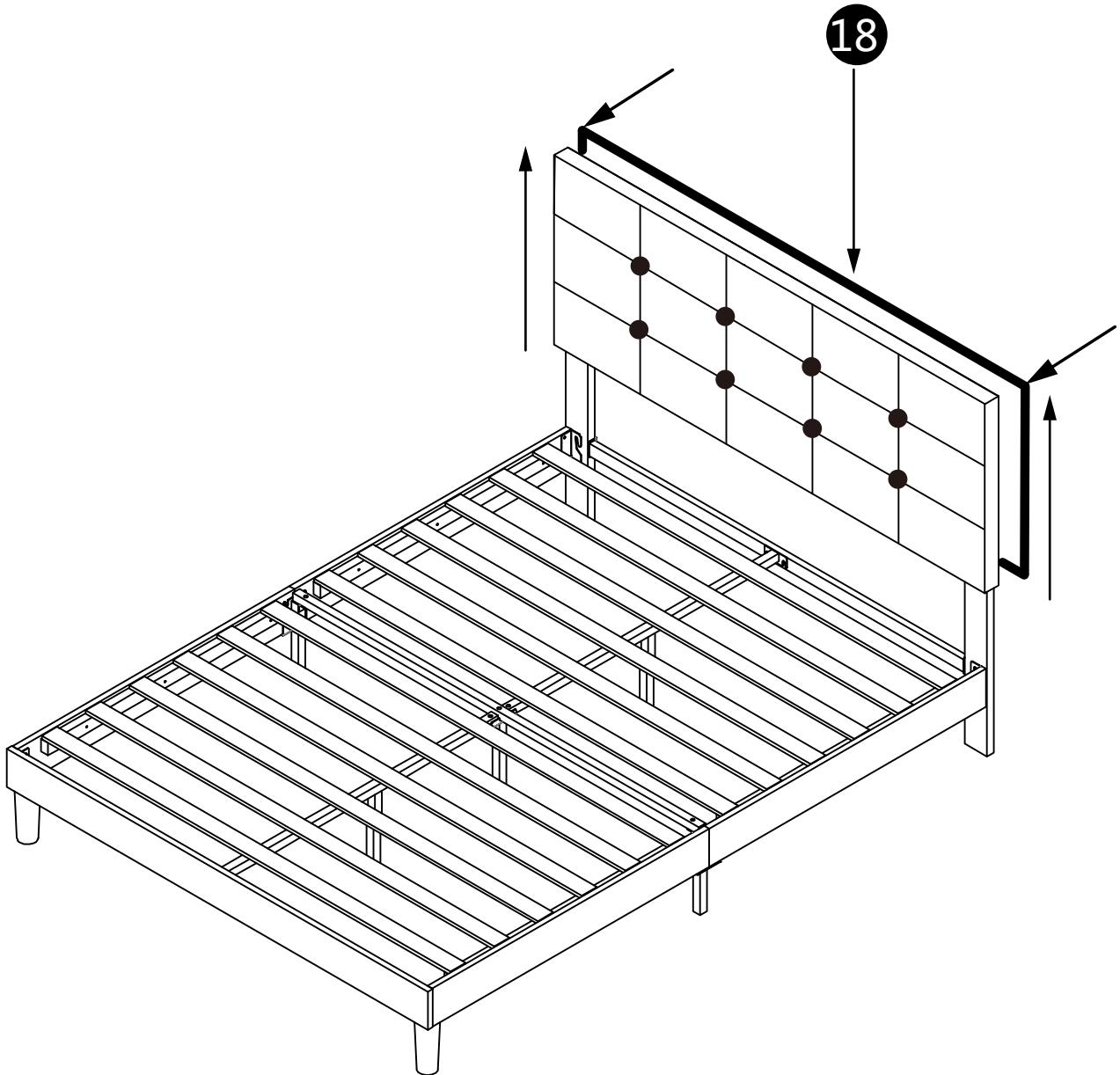
STEP 12



STEP 13



## STEP 14



**Step 14 : Attach the non-woven fabric behind the headboard.**