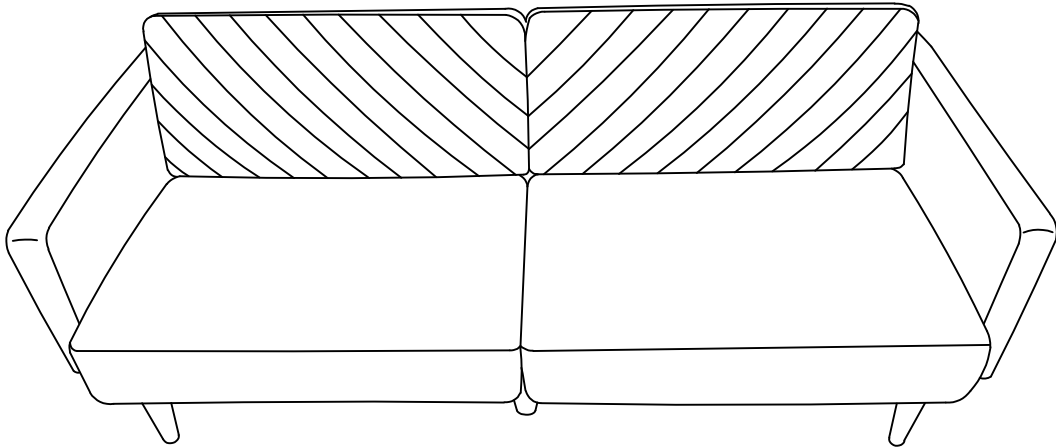


version 1.0

# Meraki Imports

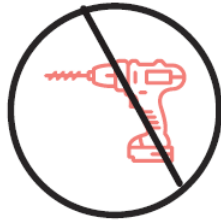
## ASSEMBLY SHEET



## CELESTE SOFA



No. of People: 2



NO power tools  
required.



Time: 2 hours



Use a damp  
cloth to clean.




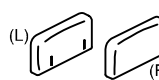


Level of  
difficulty: 3/4



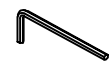


## ASSEMBLY INSTRUCTIONS

Thank you for making a purchase with Meraki Imports. The goal of this assembly sheet is to help you assemble the product in a way that will contribute to its longevity and durability. Kindly follow all the instructions carefully to ensure a safe and accurate assembling process.

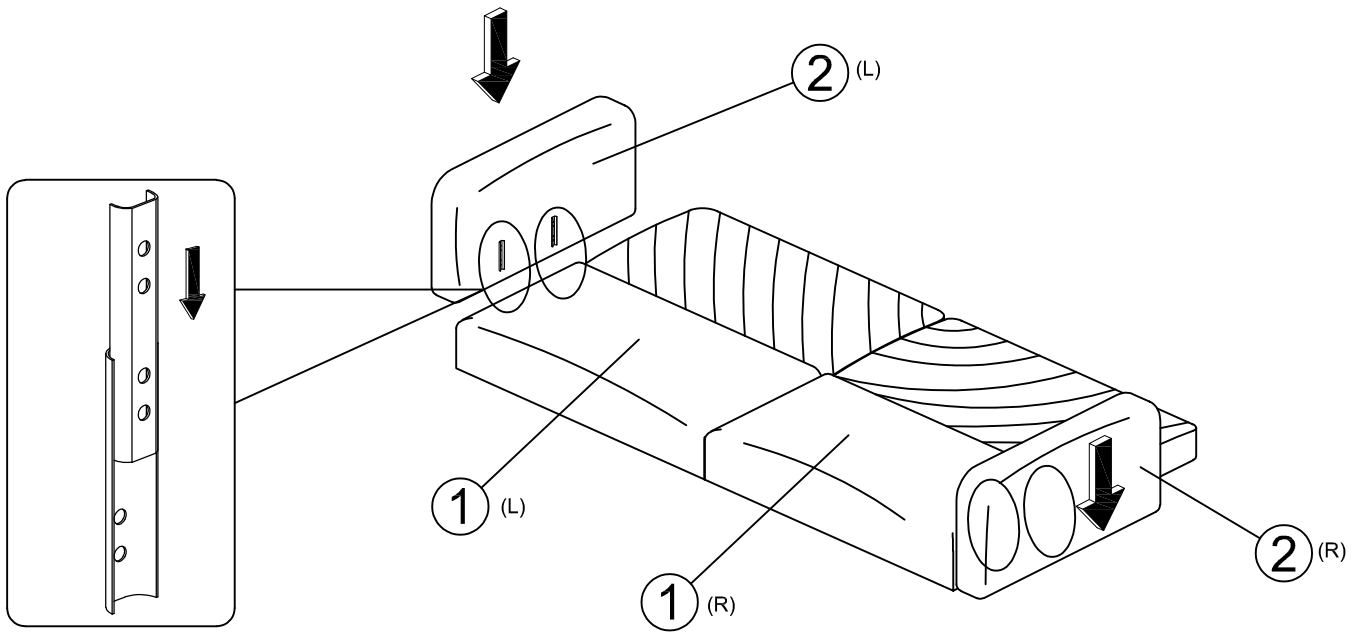
A few important things to note:

- Please do not use a power tool to assemble this product. Using one may hinder and/or damage the item and will invalidate any claims for warranty.
- Depending on the amount of use this product receives, it may be recommended to tighten up the fixings from time to time. This is completely normal!
- Do not drag the bed. Always lift with at least two people to avoid injury or damage.

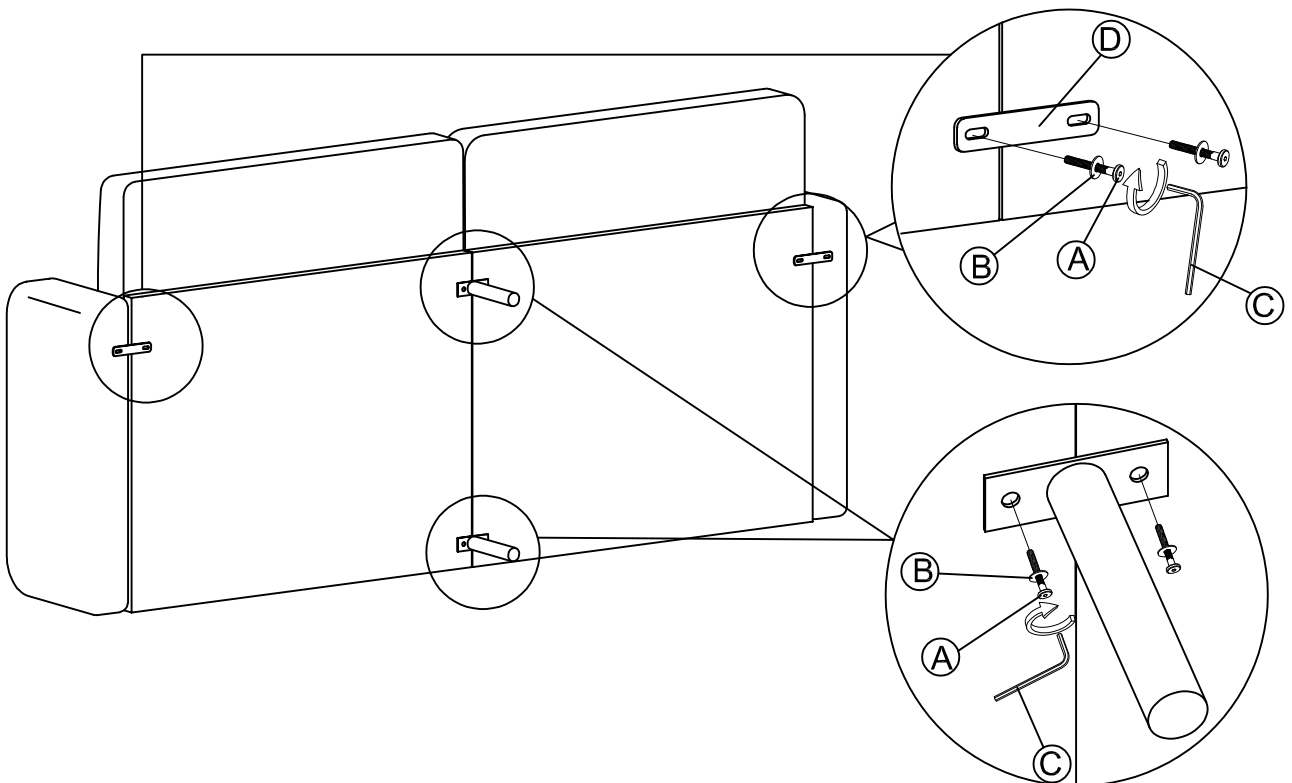
PART LIST		
1	 Sofa Seat	2pcs
2	 Sofa Arm	2pcs
3	 Sofa Leg	4pcs
4	 Center Leg	2pcs

HARDWARE LIST		
A	 JCBB M8	8pcs
B	 Flat Washer M8	8pcs
C	 Allen Key M5	1pc
D	 Bracket	2pcs
E	 Carpet	6pcs

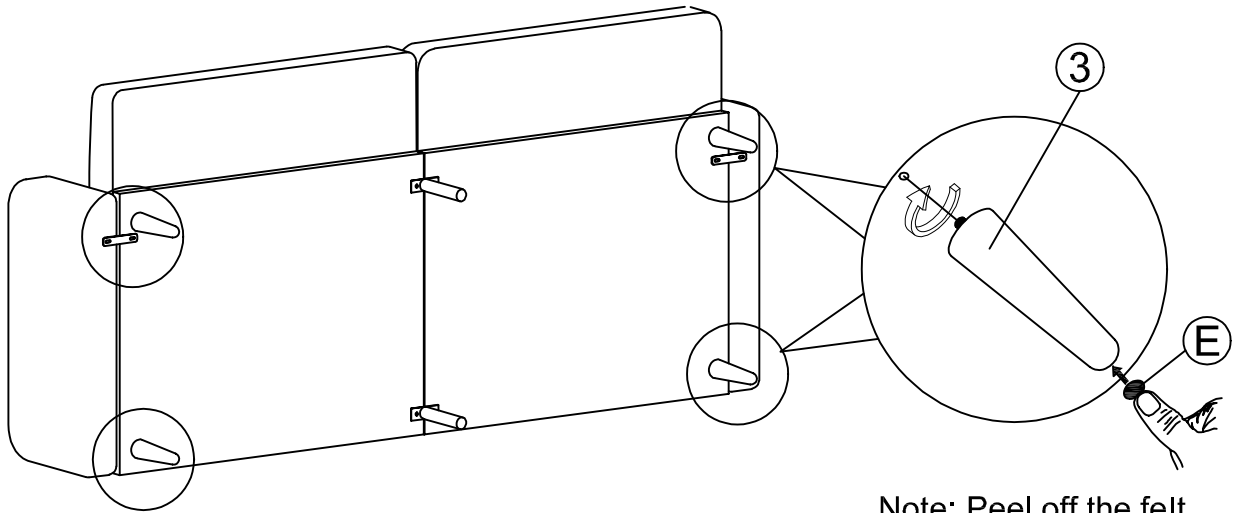
# STEP 1



# STEP 2



### STEP 3



Note: Peel off the felt sticker and attach to the bottom of the legs.

### STEP 4

