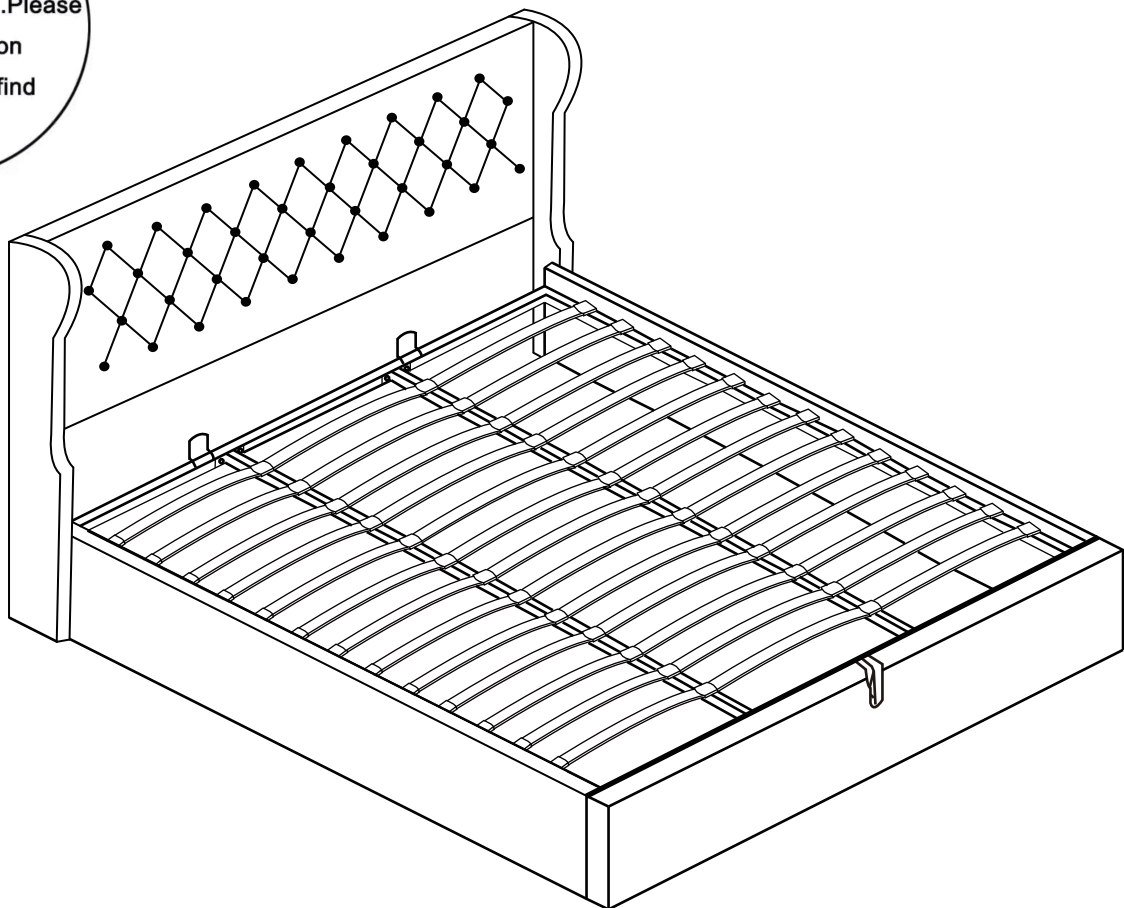


aykah

ASSEMBLY SHEET

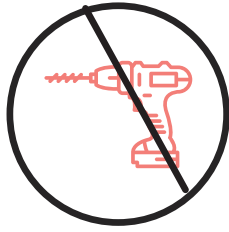
The Parts at the back
of the Headboard .Please
Open the Black Non
Waven Fabric to find



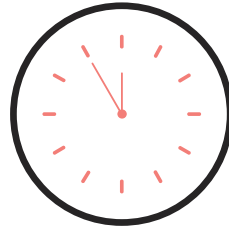
BRITTANY



No. of People: 2



NO power tools required.



Time: 2 hours



Use a damp cloth to clean.











Level of difficulty: 3/4



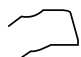



ASSEMBLY INSTRUCTIONS

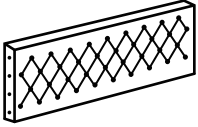

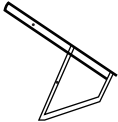
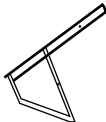

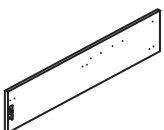
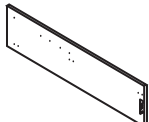




Thank you for making a purchase with Aykah. The goal of this assembly sheet is to help you assemble the product in a way that will contribute to its longevity and durability. Kindly follow all the instructions carefully to ensure a safe and accurate assembling process.

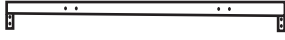
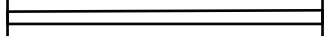


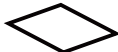

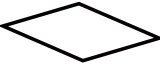



A few important things to note:

- Please do not use a power tool to assemble this product. Using one may hinder and/or damage the item and will invalidate any claims for warranty.
- Depending on the amount of use this product receives, it may be recommended to tighten up the fixings from time to time. This is completely normal!
- Do not drag the bed. Always lift with at least two people to avoid injury or damage.

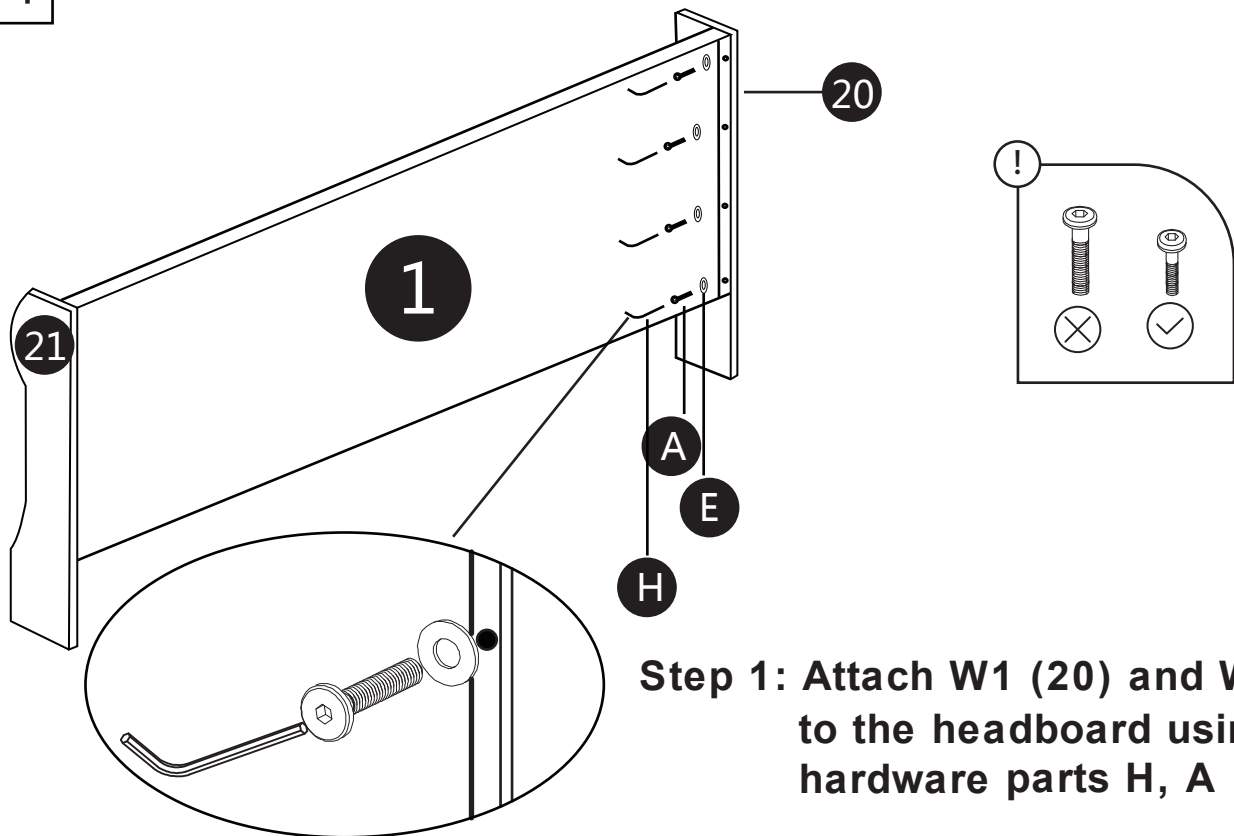
PARTS INVENTORY			
ID	DESCRIPTION		QTY
A	M8*40 BOLT		56
B	M8*65 BOLT		6
C	FLAT WASHER M6		8
D	SPRING WASHER		4
E	FLAT WASHER M8		54
F	NUT		22
G	M6*10 BOLT		8
H	ALLEN KEY		1

PARTS INVENTORY			
ID	DESCRIPTION		QTY
I	OPEN SPANNER		1
J	PROTECTIVE PAD		8
K	MATTRESS STOPPER		2
L	GAS LIFT RIBBON		1
M	PROTECTIVE PAD		2
N	GAP NUT		8

PARTS INVENTORY		
ID	DESCRIPTION	QTY
1	Headboard 	1
2	Footboard 	1
3	Left Hydraulic 	1
4	Right Hydraulic 	1
5	Gas Lift 	2
6	Left Side Rail 	1
7	Right Side Rail 	1
8	Wood Slat 	45
9	Single Close Ended Clip 	30
10	Double Open-Ended Clip 	30
11	Right and Left Metal Frame 	2

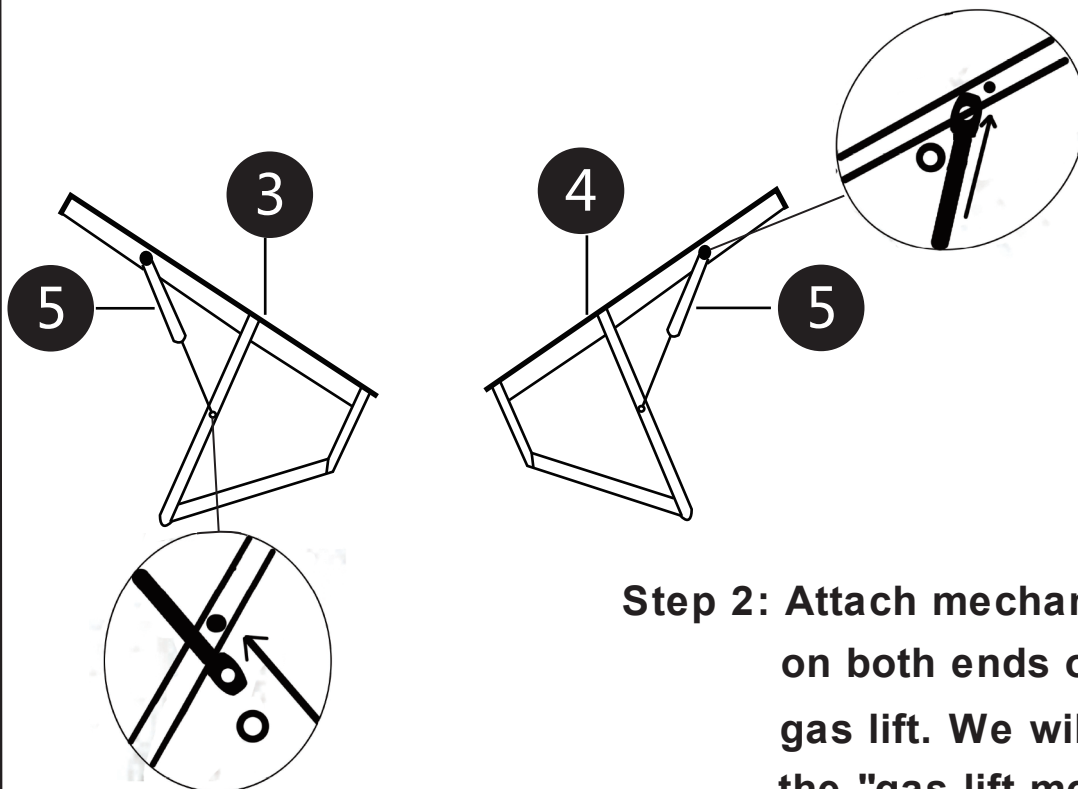
PARTS INVENTORY		
ID	DESCRIPTION	QTY
12	Up and Down Metal Frame 	2
13	Side Rail Connector 	2
14	Center Frame 	2
15	Center Floating Leg 	4
16	Headboard Back Nonwoven Cloth 	1
17	Corner Bracket 	2
18	Bottom Nonwoven Cloth 	1
19	Footboard Middle Bracket 	1
20	Left Headboard Wing 	1
21	Right Headboard Wing 	1

STEP 1



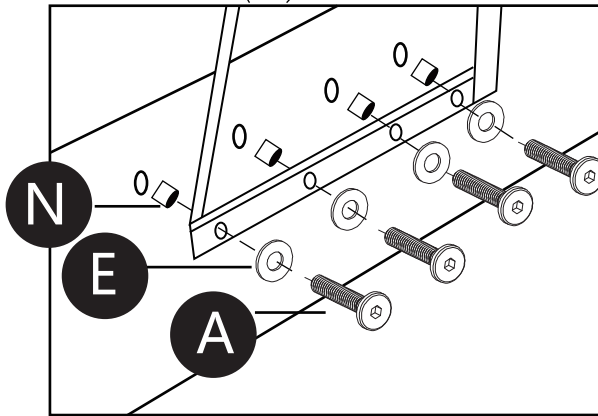
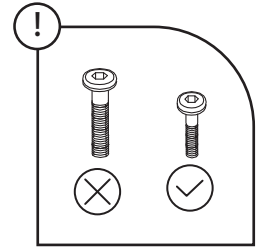
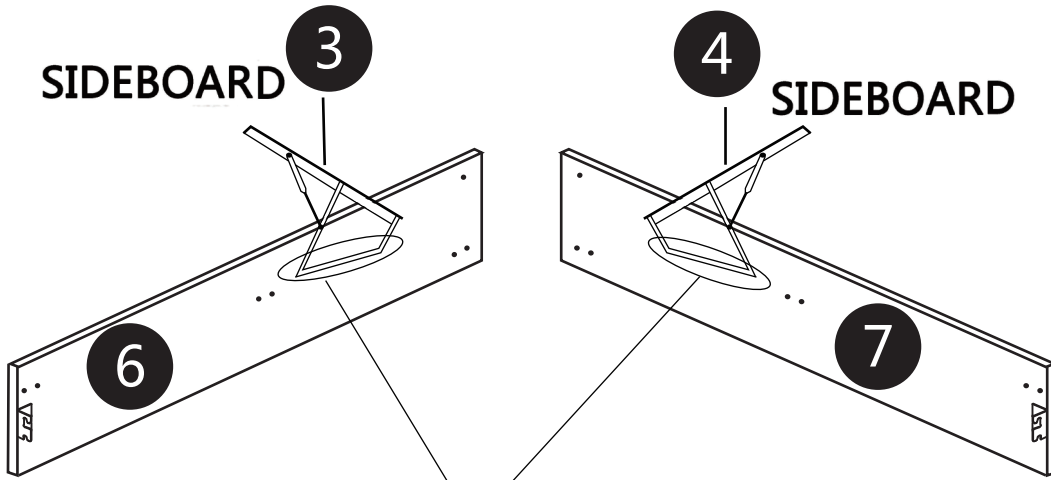
Step 1: Attach W1 (20) and W2 (21) to the headboard using hardware parts H, A and E.

STEP 2



Step 2: Attach mechanism (5) to gas lift (4) on both ends on the right and left gas lift. We will now refer to this as the "gas lift mechanism".

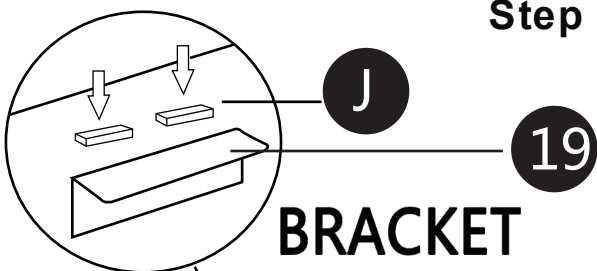
STEP 3



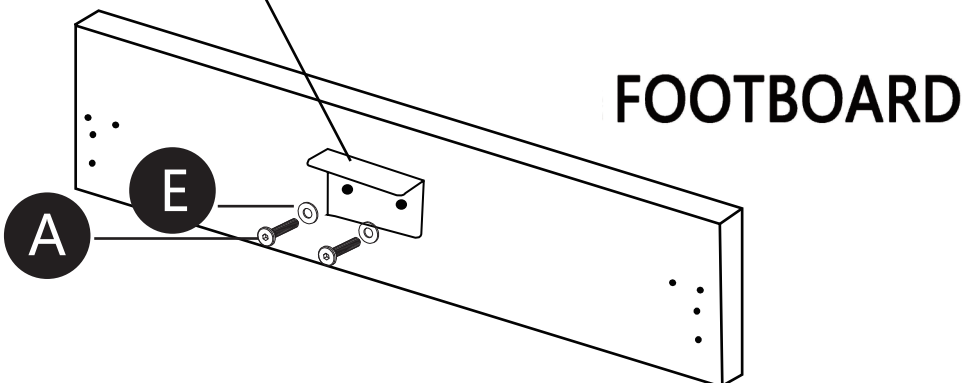
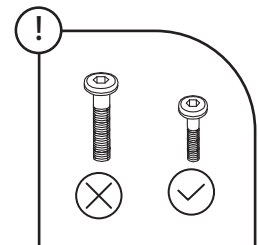
Step 3: Attach the gas lift mechanism (3 and 4) to the side rails 6 and 7 using hardware N, E and B.

STEP 4

! stick the felt on top of the bracket

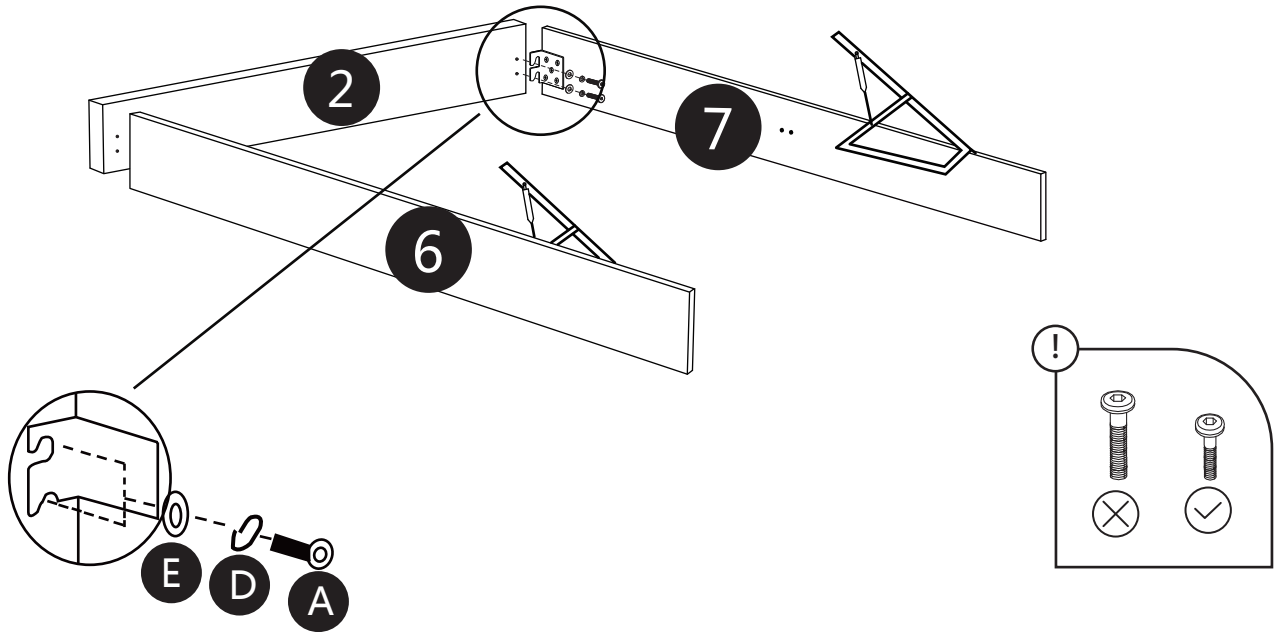


Step 4: Attach bracket (19) to footboard(2) using hardware A and E.



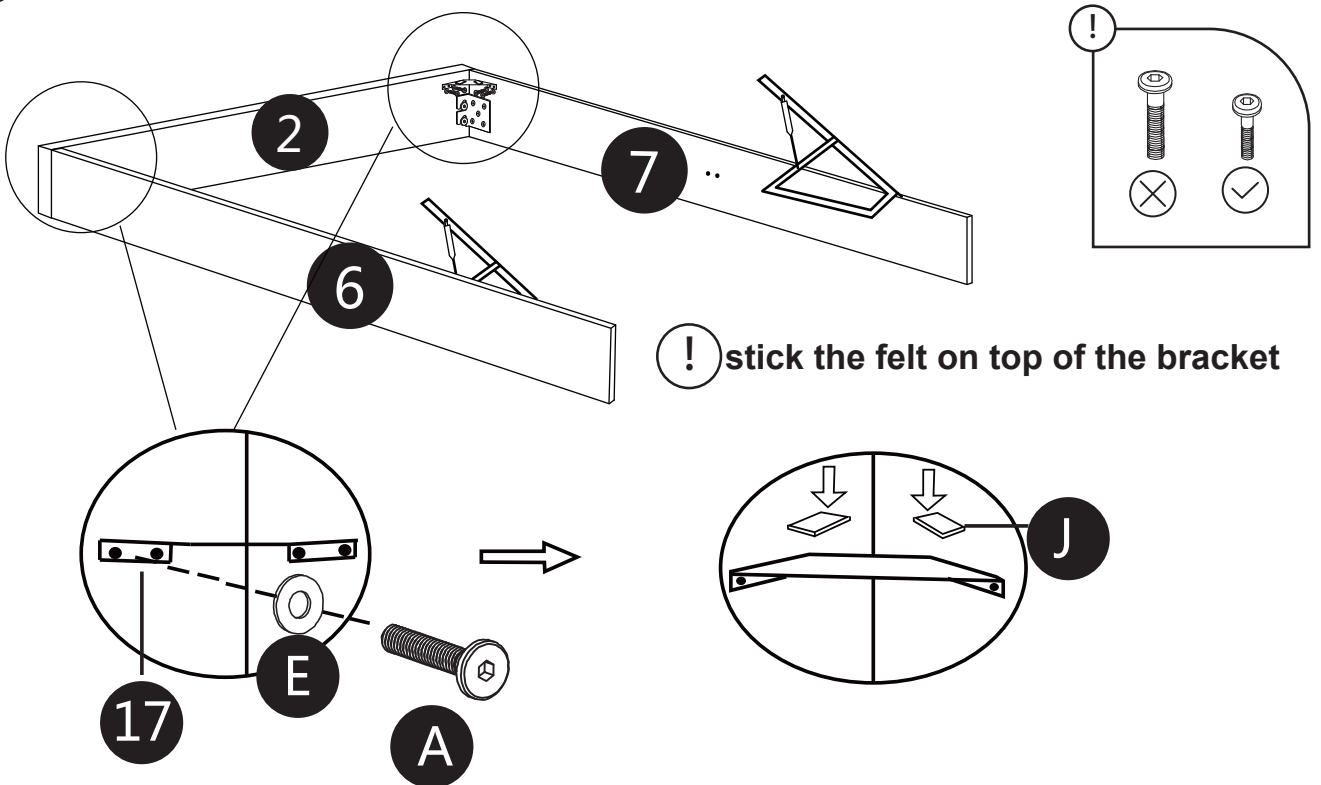
STEP 5

a



Step 5a: Attach the side rail (6 and 7) with the footboard (1), using hardware E, D and A.

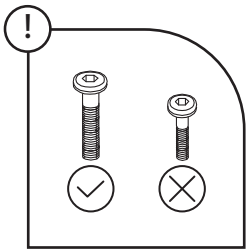
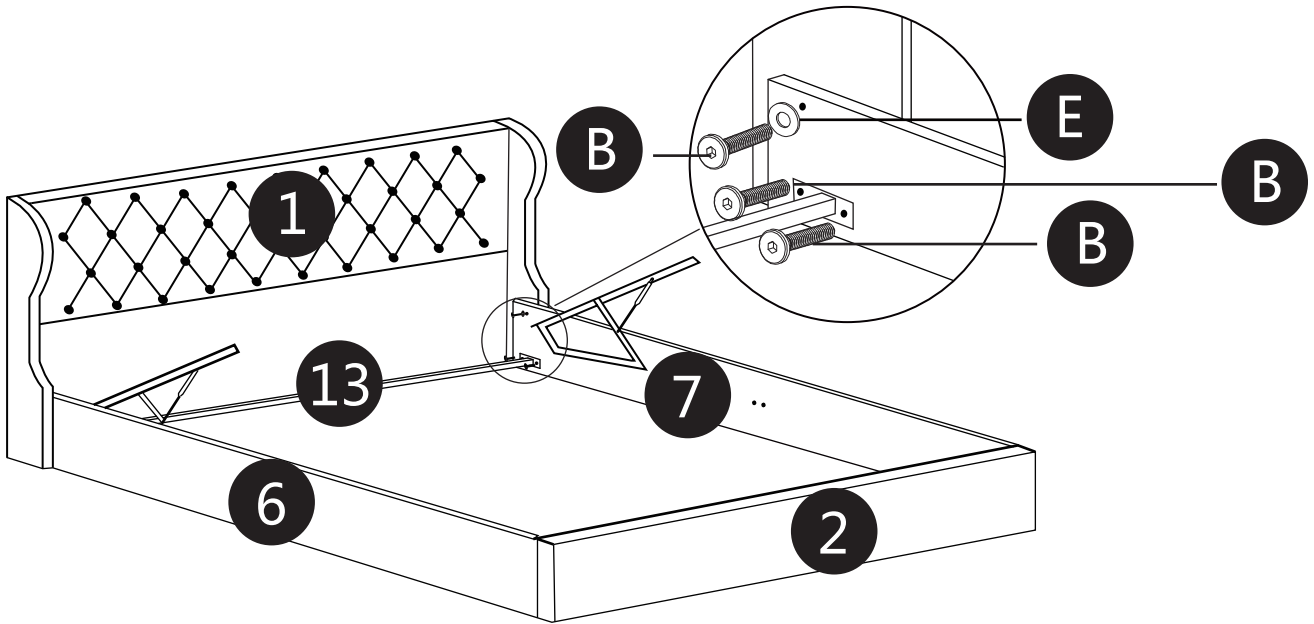
b



Step 5b: Attach the corner bracket (17) to side rail (6 and 7) and footboard (2), using hardware E and A .

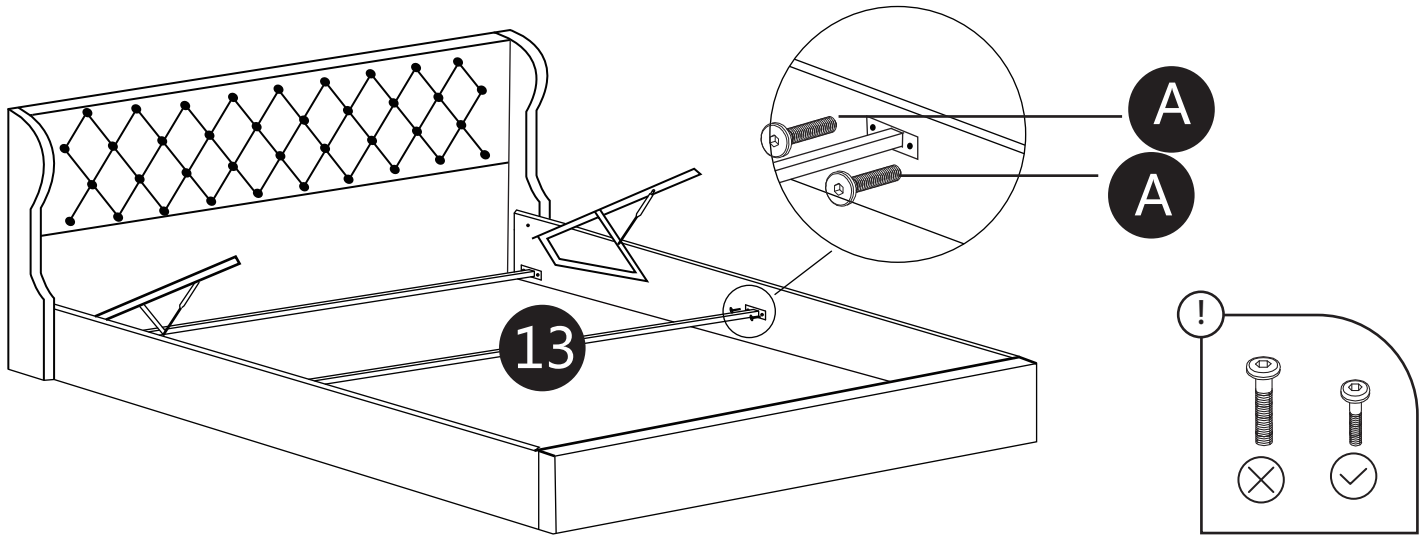
STEP 5

C



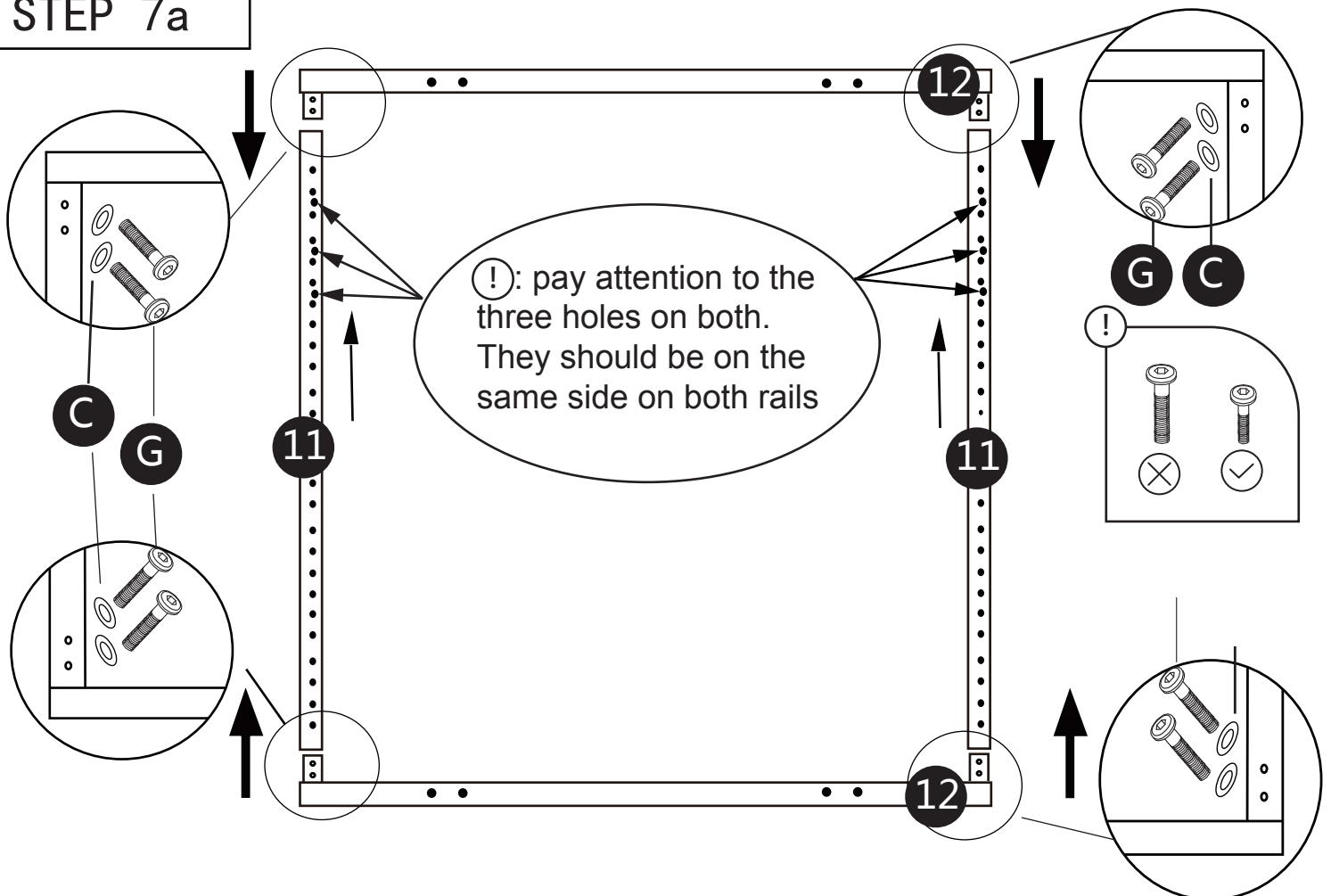
Step 5c: Attach the rail to the headboard and metal bar using B and E.

STEP 6



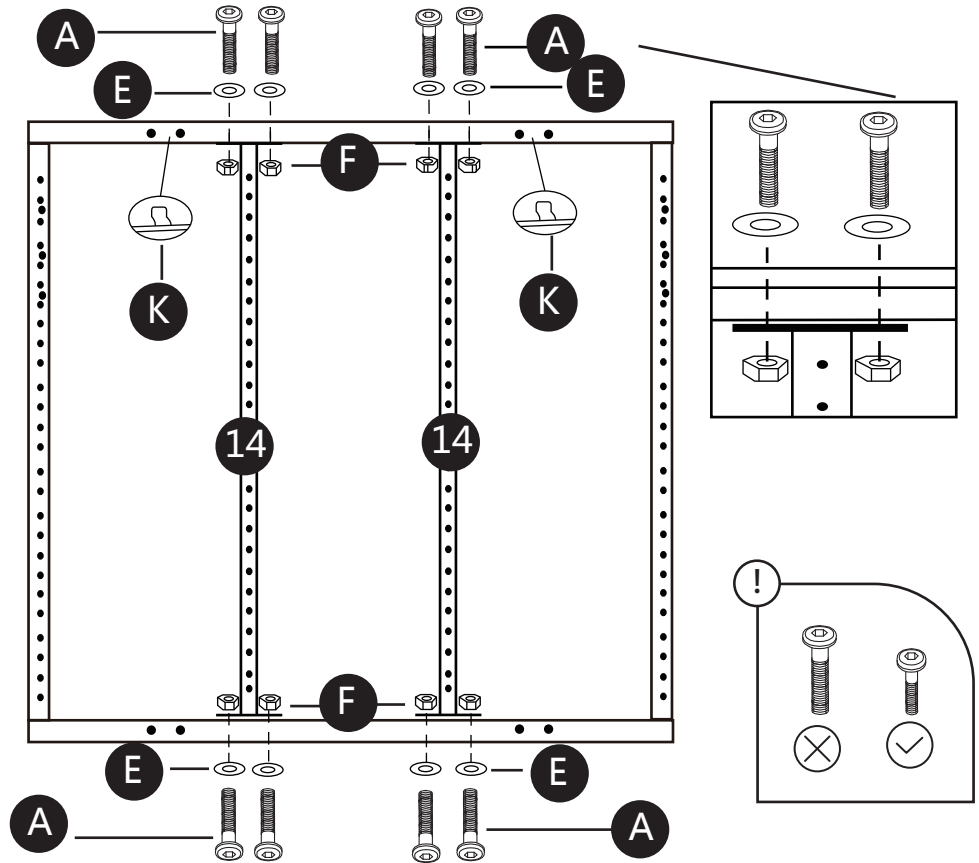
Step 6: Attach the center support to both the side rails, using hardware A.

STEP 7a



Step 7a: Attach parts 11 and 12 using hardware C and G.

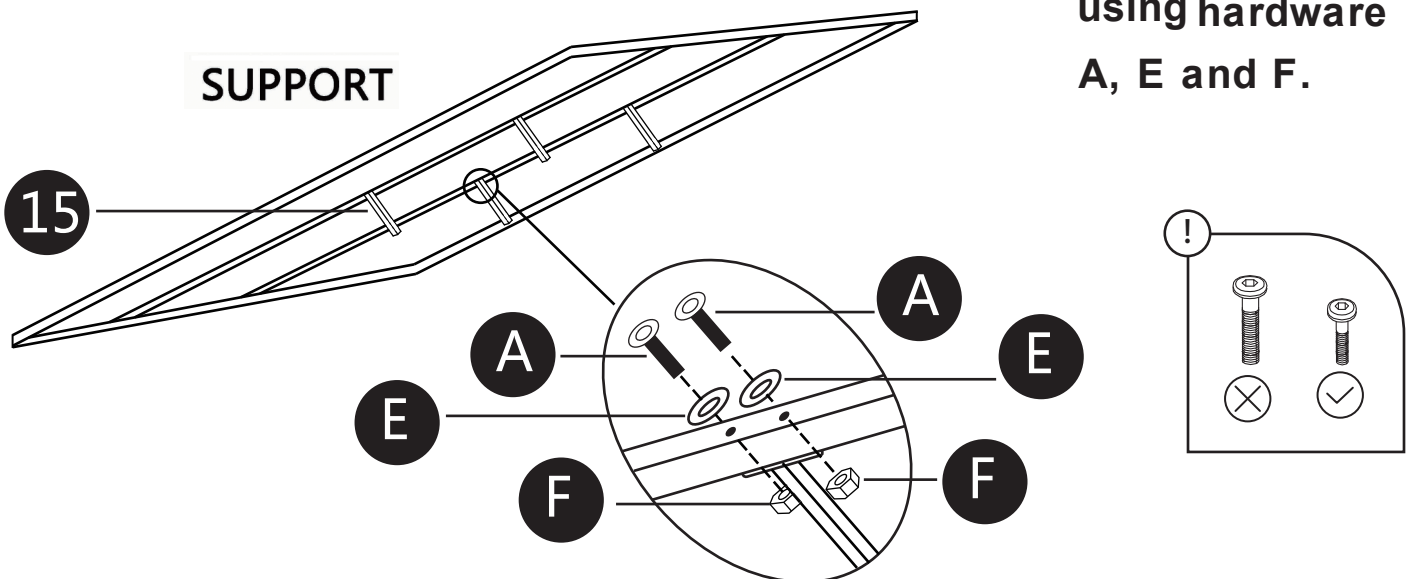
STEP 7b



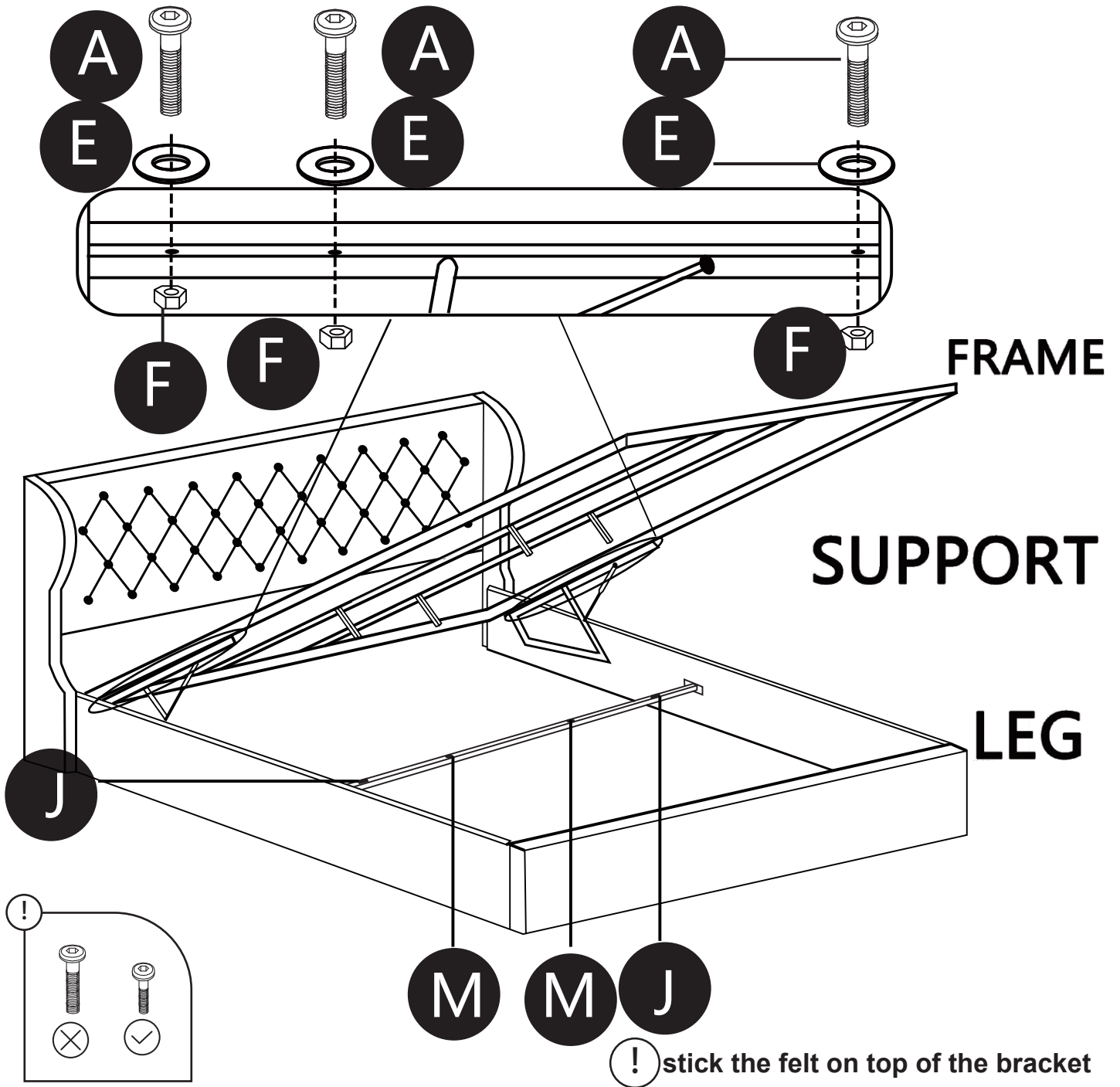
Step 7b: Attach part 14 to both sides of part 12, using hardware A, E and F.

STEP 8

Step 8: Attach the support legs to part 14, using hardware A, E and F.



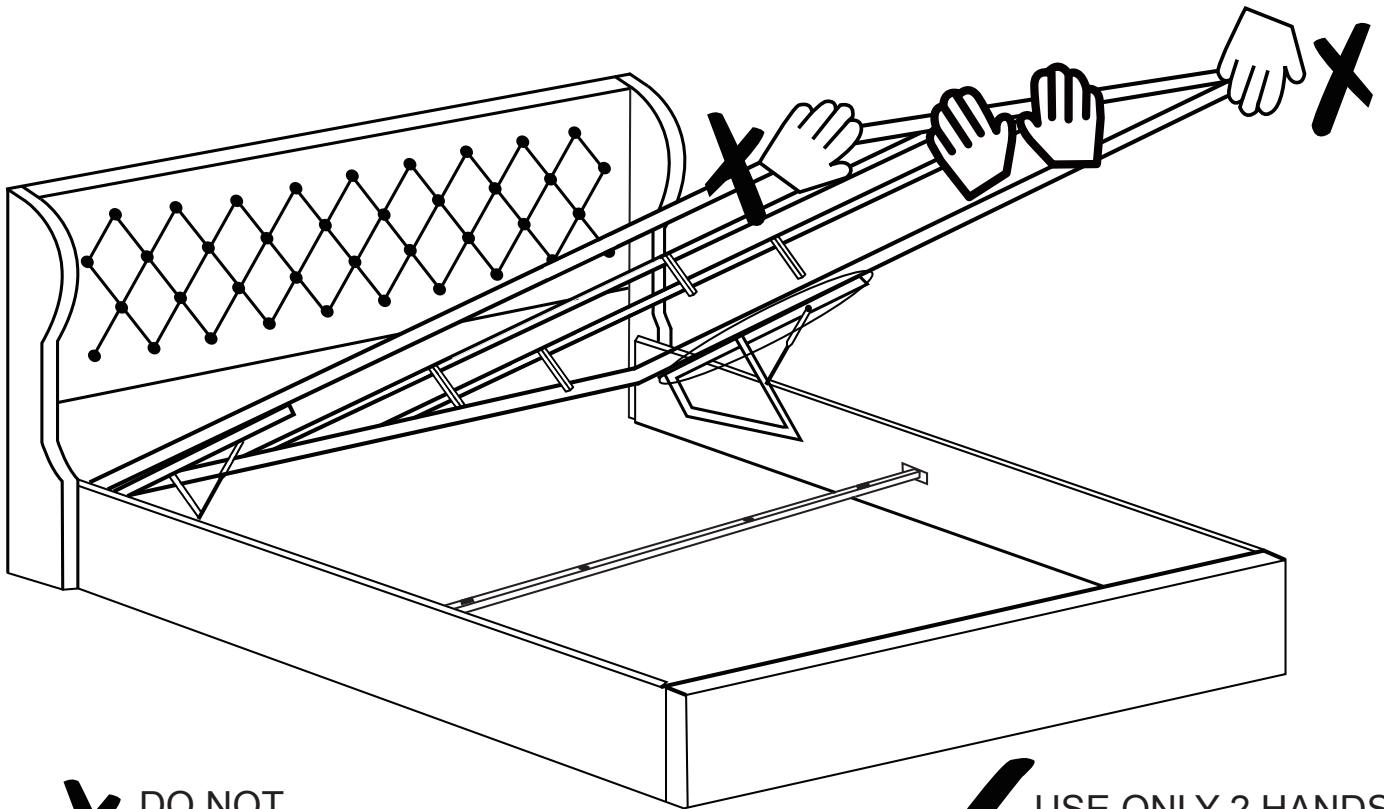
STEP 9a



Step 9a: Attach the frame that built in the previous step to the gas lift mechanism at a 45° angle (meaning it will be slanted as the picture), using hardware C, F and E.

STEP 9b

ONCE THE MATTRESS IS ON TOP, YOU CAN
OPEN & CLOSE THE BED SAFELY



X DO NOT
PUSH DOWN ON ONE.
OR EITHER SIDE

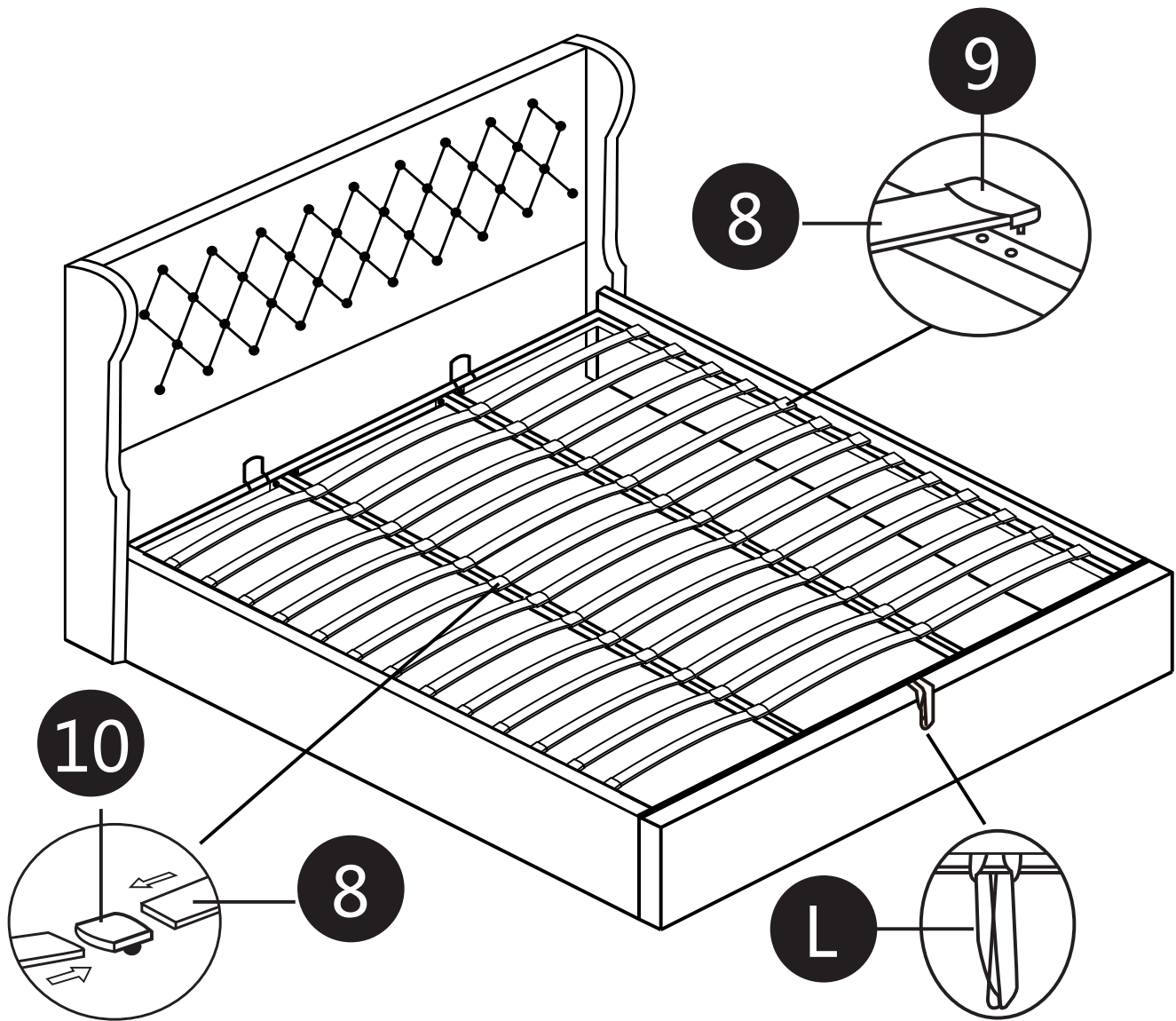
✓ USE ONLY 2 HANDS
IN THE MIDDLE TO
CLOSE

Step 9b:

Once all the nuts and bolts are tightened firmly, the first time you close the lifting mechanism, push down with extra pressure to force open the seals on the pistons.

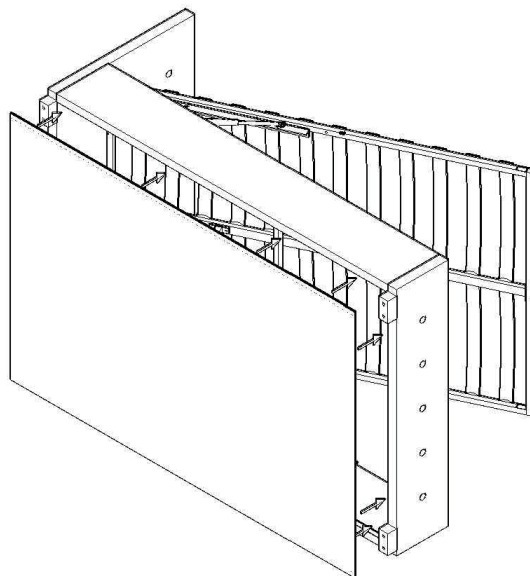
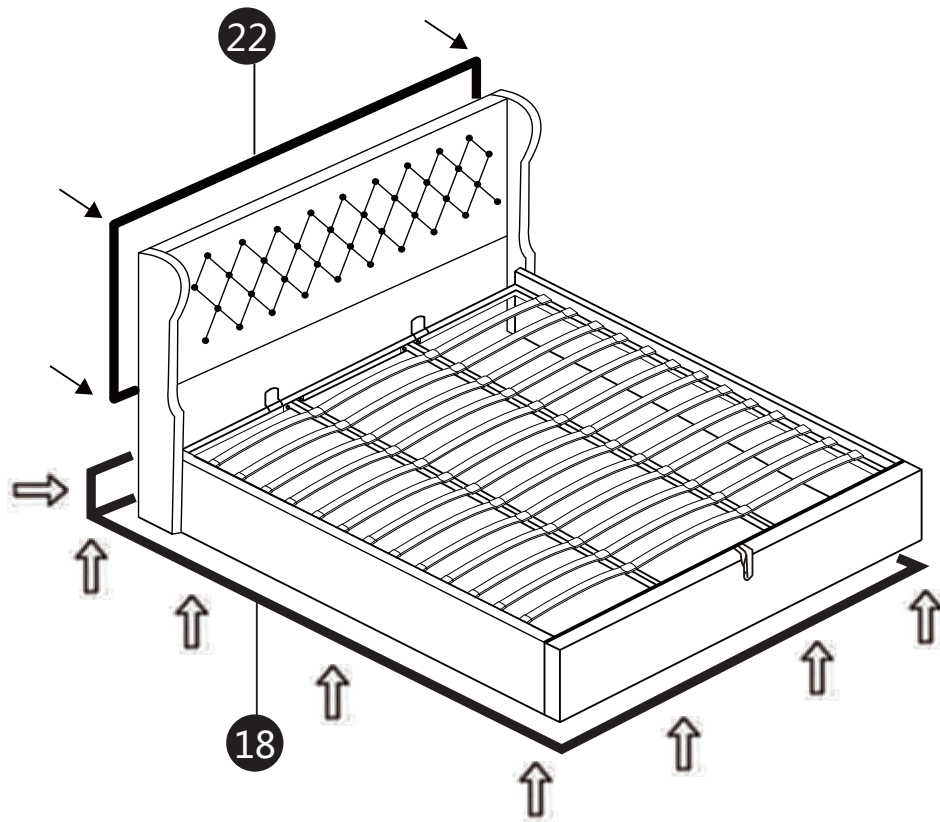
This will feel like a lot of pressure, so be firm and it will close!

STEP 10



Step 10: Attach the slats to the plastic clips and insert them into the holes of the metal bar.

ⓘ: Clips open from both sides will be attached to the middle bar, and clips open from one side will be attached to the side bars.

STEP 11

- Step 11a : Attach the non-woven fabric to the bottom of the bed**
Step 11b : Attached the non-woven fabric to the back of the headboard.