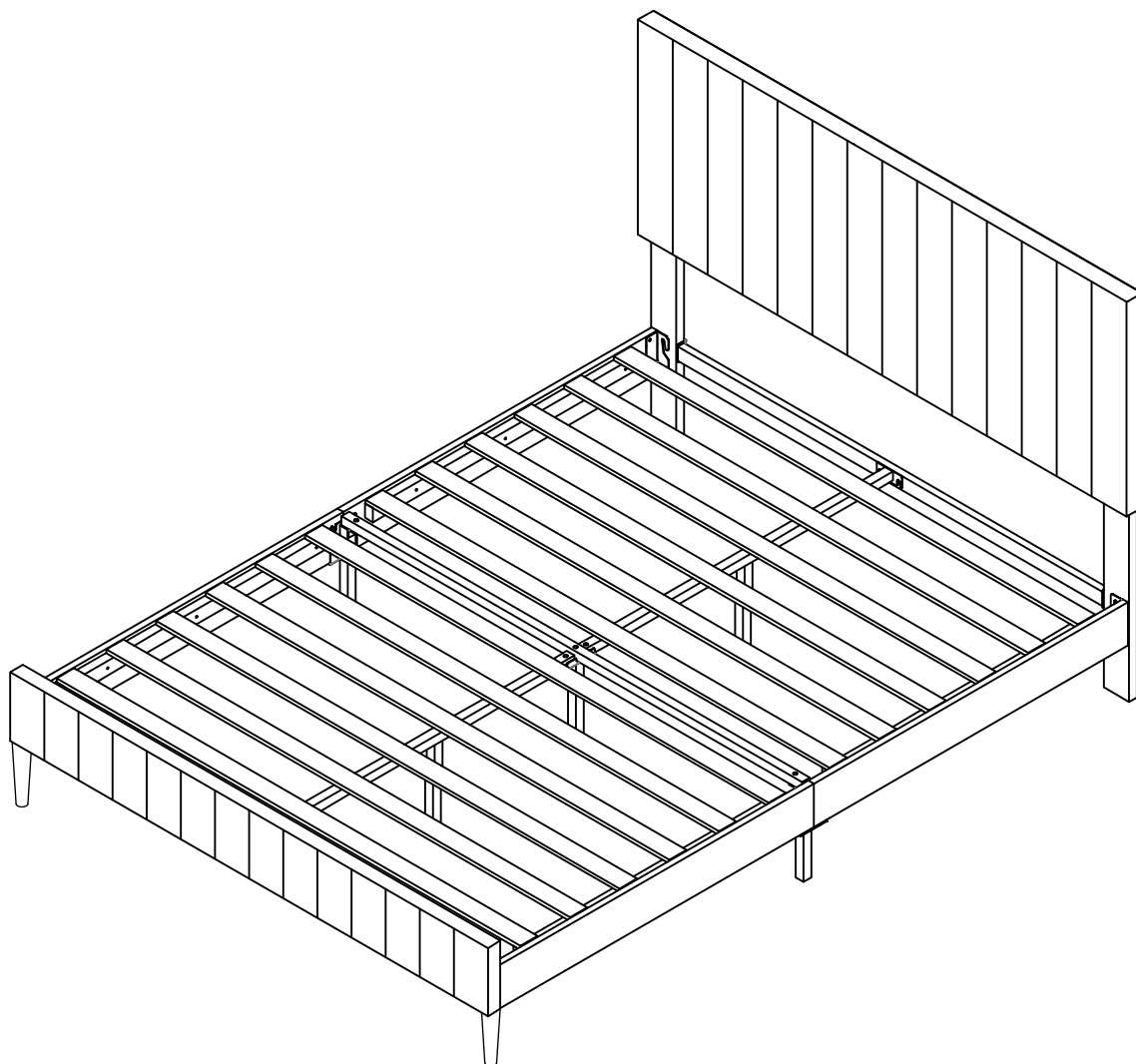


# Meraki Imports

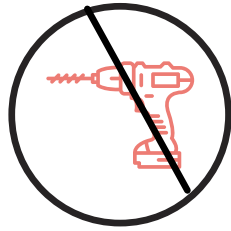
## ASSEMBLY SHEET



**VFB-02**



No. of People: 1



NO power tools  
required.



Time: 1 hour(s)



Use a damp  
cloth to clean.



Level of  
difficulty: 2/4








## ASSEMBLY INSTRUCTIONS

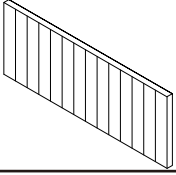
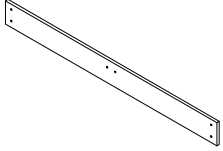
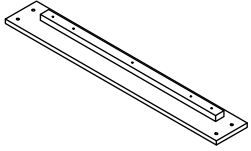
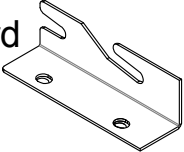
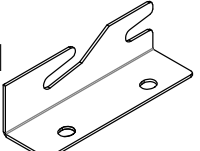
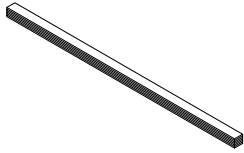
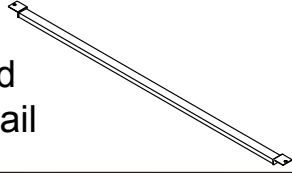
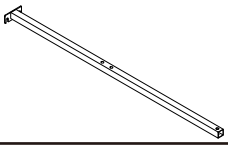
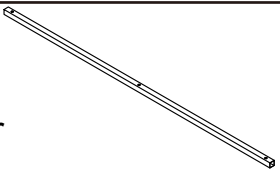
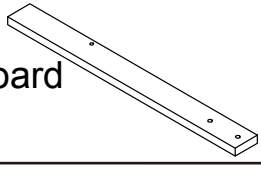
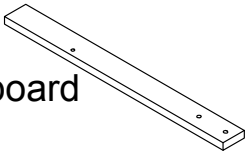
Thank you for making a purchase with Meraki Imports. The goal of this assembly sheet is to help you assemble the product in a way that will contribute to its longevity and durability. Kindly follow all the instructions carefully to ensure a safe and accurate assembling process.

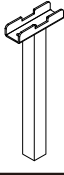
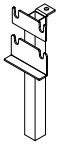

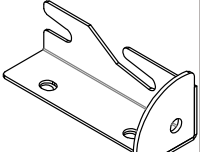
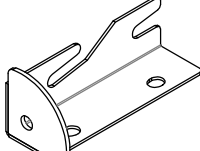
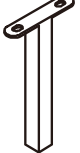
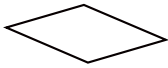
A few important things to note:

- Please do not use a power tool to assemble this product. Using one may hinder and/or damage the item and will invalidate any claims for warranty.
- Depending on the amount of use this product receives, it may be recommended to tighten up the fixings from time to time. This is completely normal!
- Do not drag the bed. Always lift with at least two people to avoid injury or damage.

### PARTS INVENTORY

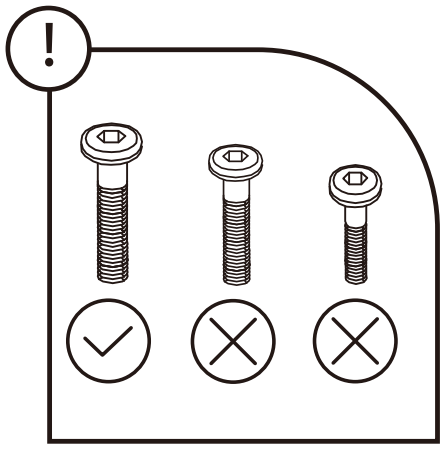
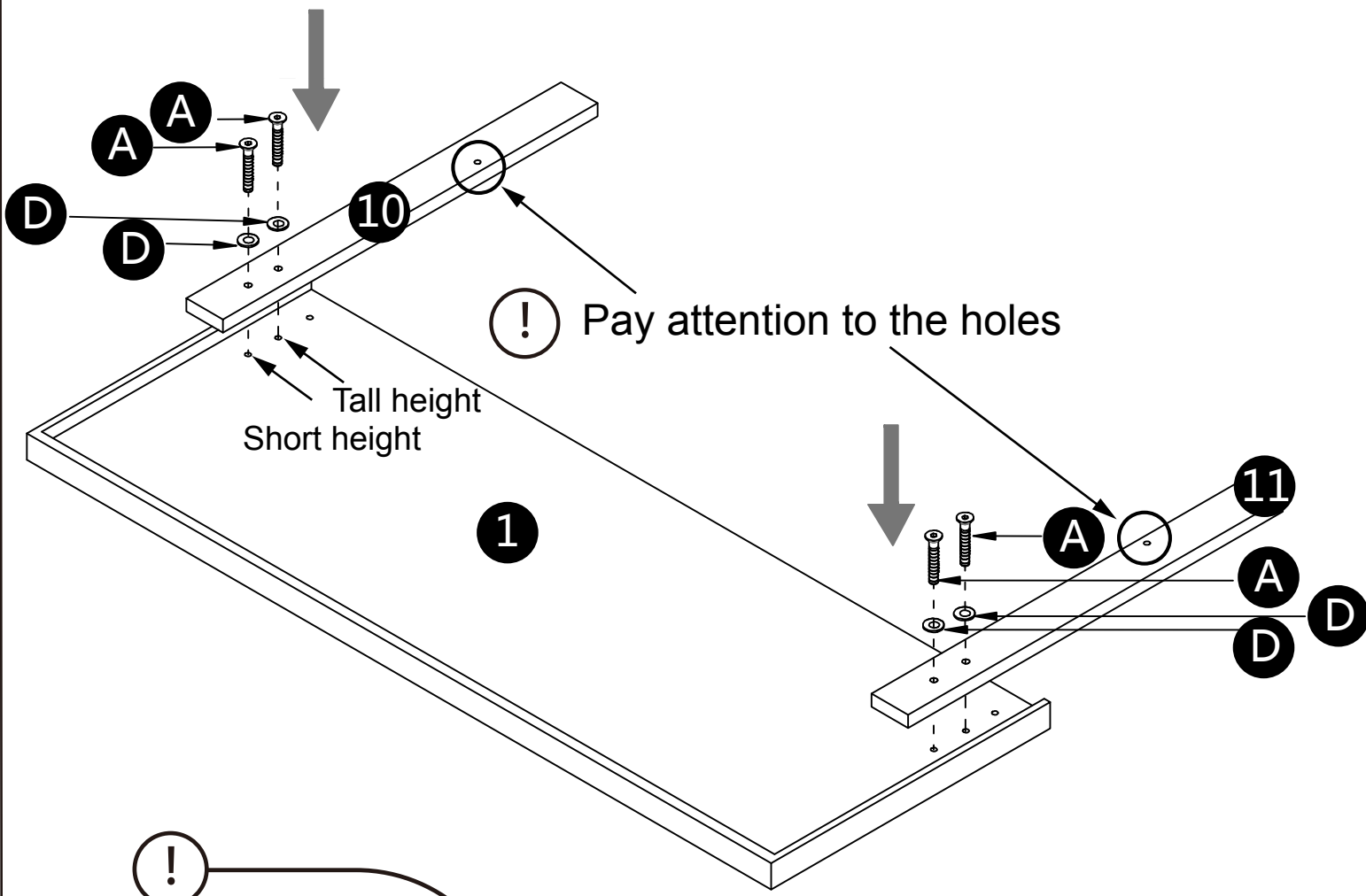
| ID | DESCRIPTION  | QTY |
|----|--|-----|
| A  | M8*45 BOLT      | 13  |
| B  | M8*25 BOLT      | 10  |
| C  | M8*16 BOLT      | 20  |
| D  | FLAT WASHER M8  | 39  |
| E  | NUT             | 4   |
| F  | ALLEN KEY       | 1   |
| G  | OPEN SPANNER    | 1   |
|    |  |     |

| PARTS INVENTORY |   |     |
|-----------------|---|-----|
| ID              | DESCRIPTION   | QTY |
| 1               | Headboard                  | 1   |
| 2               | Footboard                  | 1   |
| 3               | Side Rail                  | 4   |
| 4               | Right Headboard Connector  | 1   |
| 5               | Left Headboard Connector  | 1   |
| 6               | Slats                    | 2   |
| 7               | Headboard Support Rail   | 1   |
| 8               | Center Frame             | 2   |
| 9               | Side Rail Connector      | 1   |
| 10              | Left Headboard Legs      | 1   |
| 11              | Right Headboard Legs     | 1   |

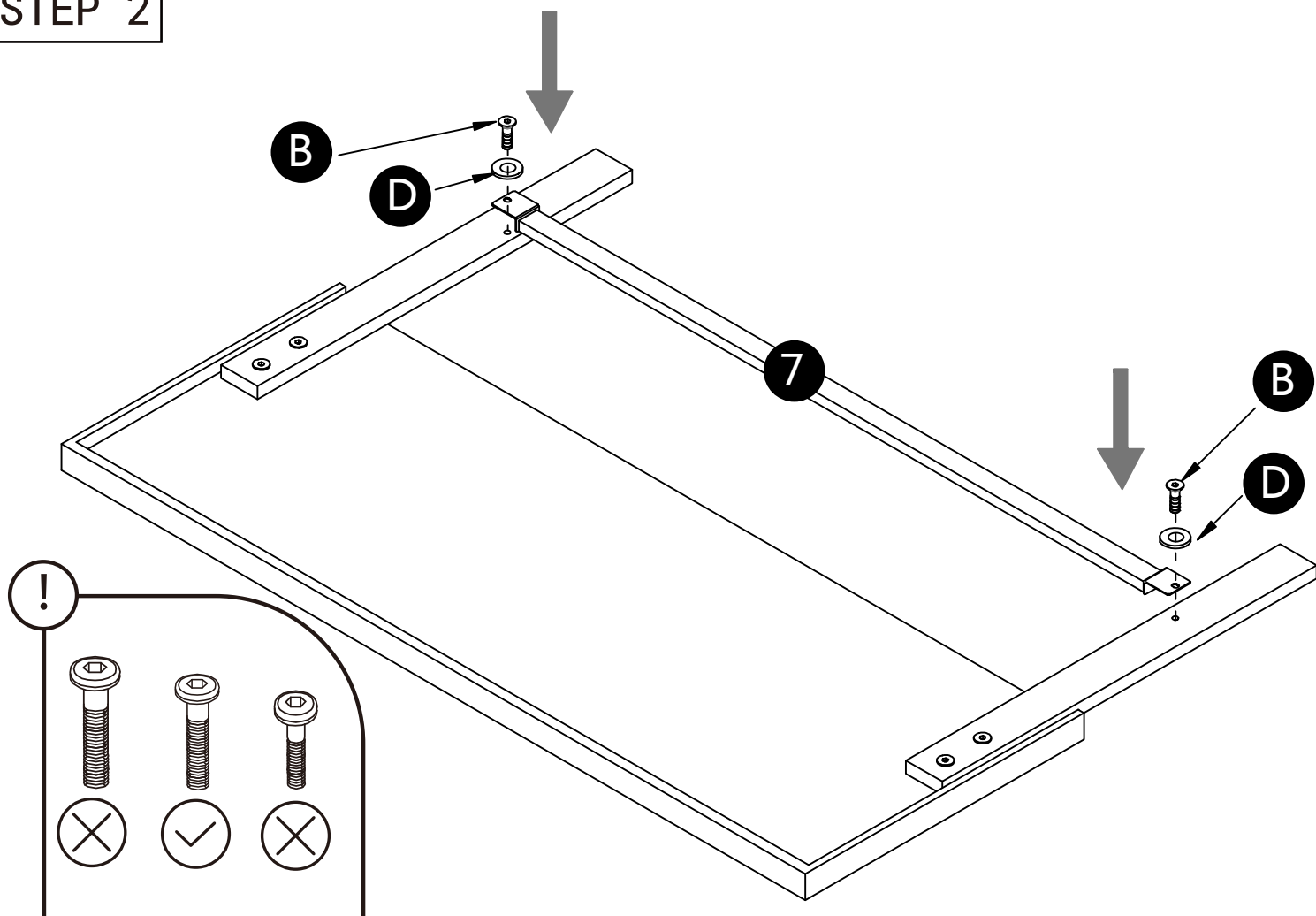
| PARTS INVENTORY |   |     |
|-----------------|---|-----|
| ID              | DESCRIPTION   | QTY |
| 12              | Center Floating Legs       | 1   |
| 13              | Center Rail Legs           | 2   |
| 14              | Wooden Legs                | 2   |
| 15              | Right Footboard Connector  | 1   |
| 16              | Left Footboard Connector  | 1   |
| 17              | Center Floating Legs     | 2   |
| 18              | Non-woven Cloth          | 1   |
|                 |   |     |
|                 |   |     |
|                 |   |     |
|                 |   |     |

STEP 1

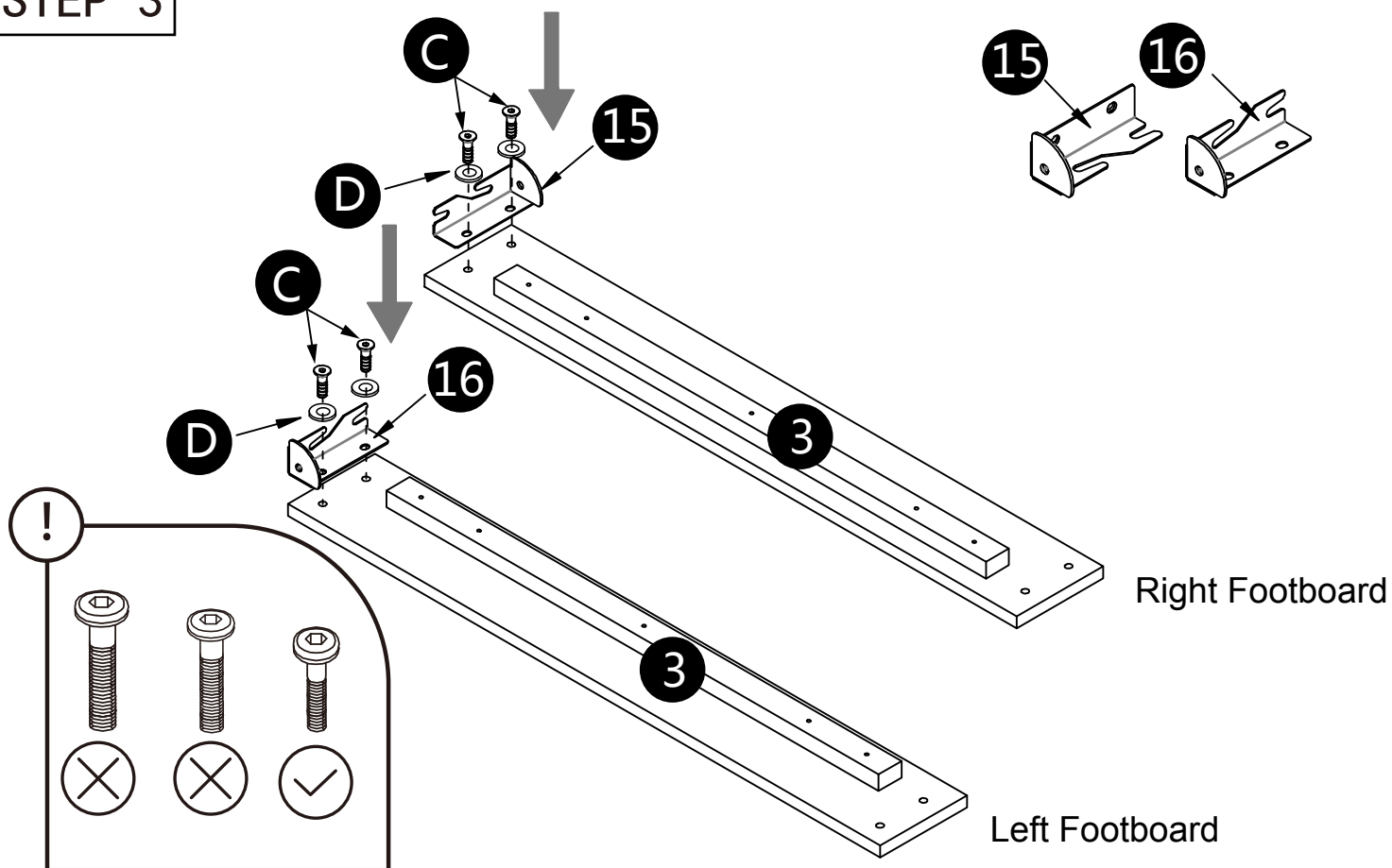
Two adjustable heights



STEP 2



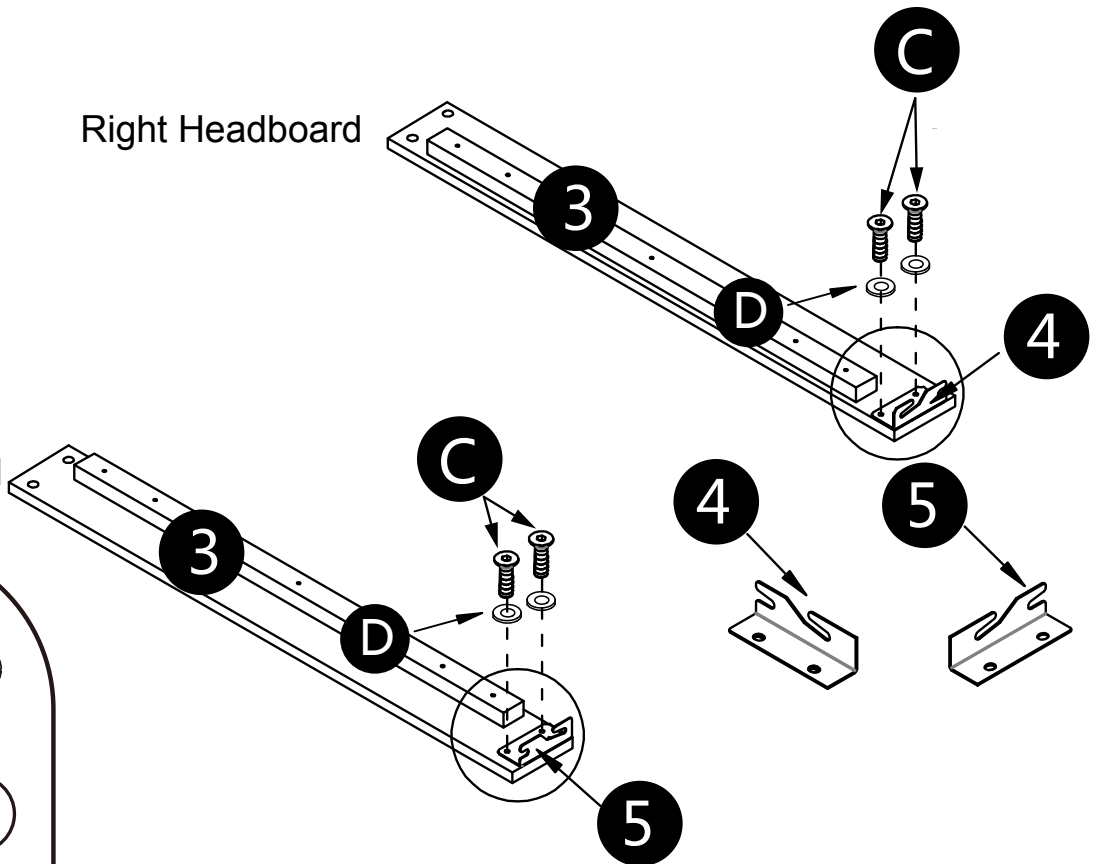
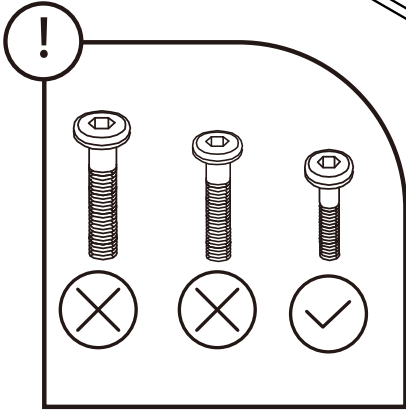
STEP 3



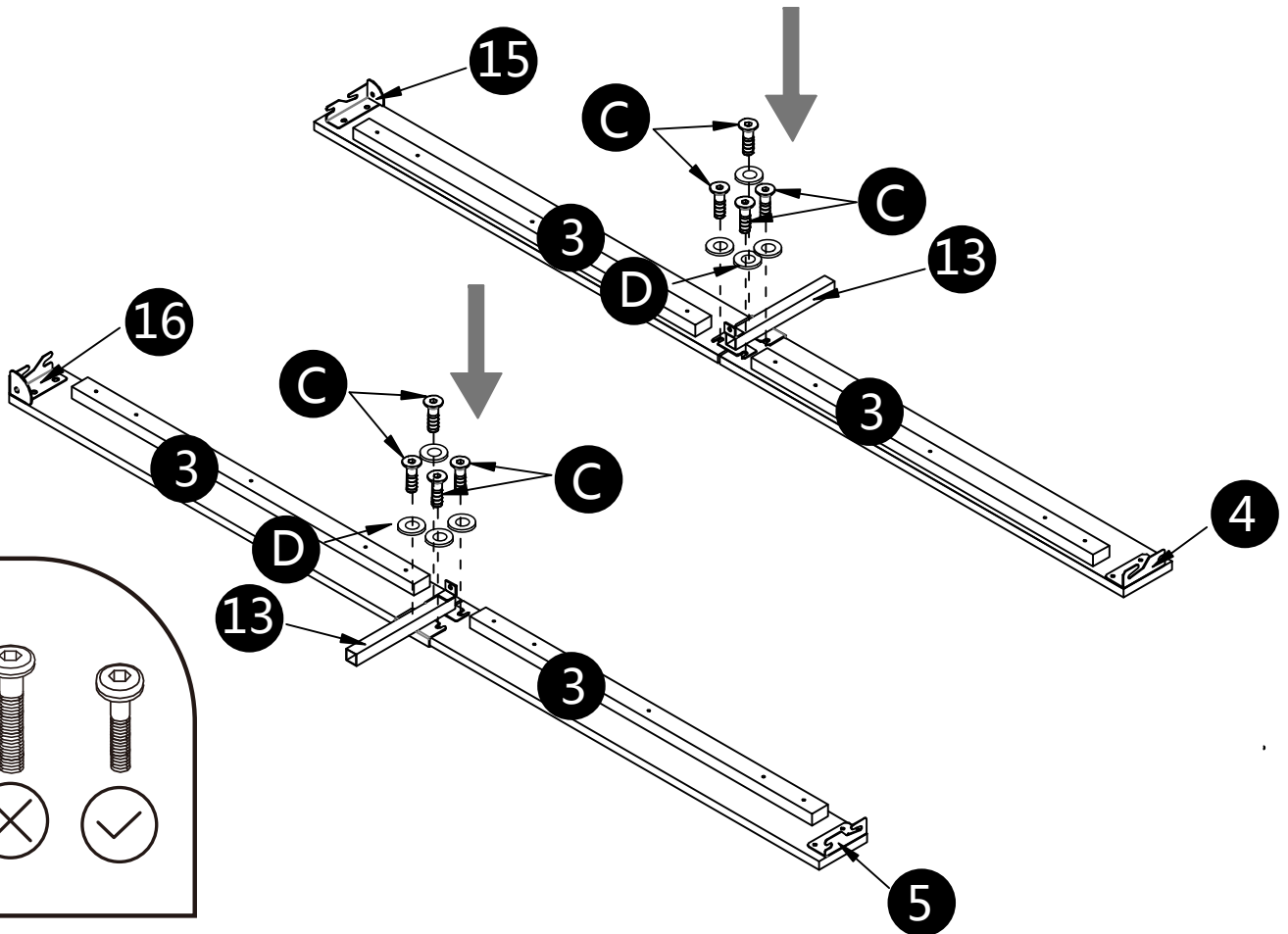
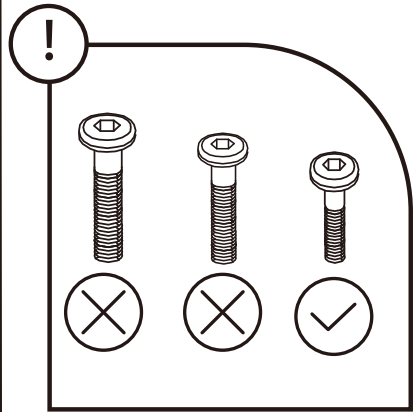
STEP 4

Right Headboard

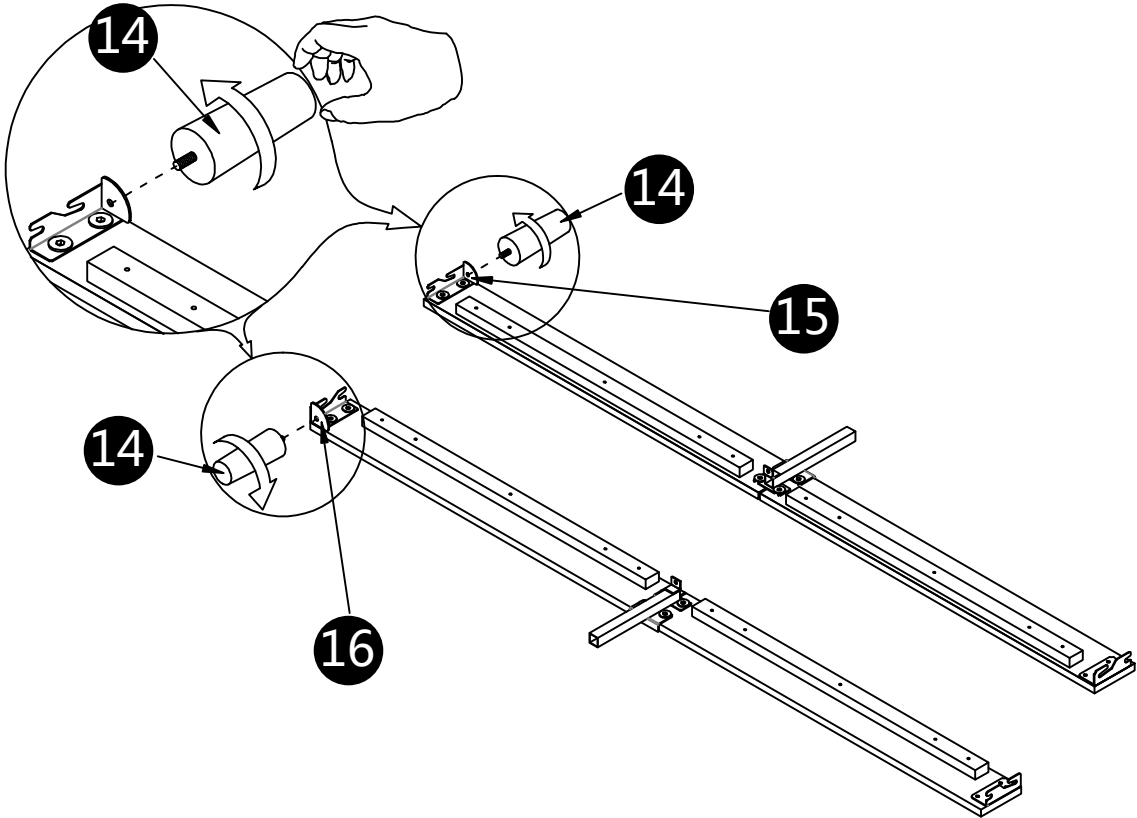
Left Headboard



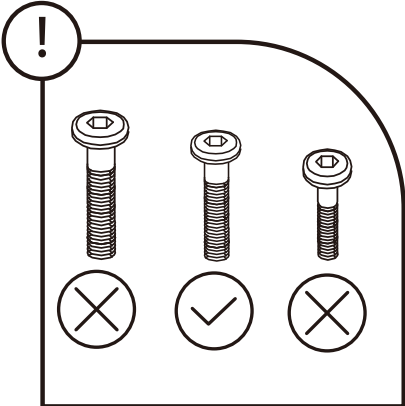
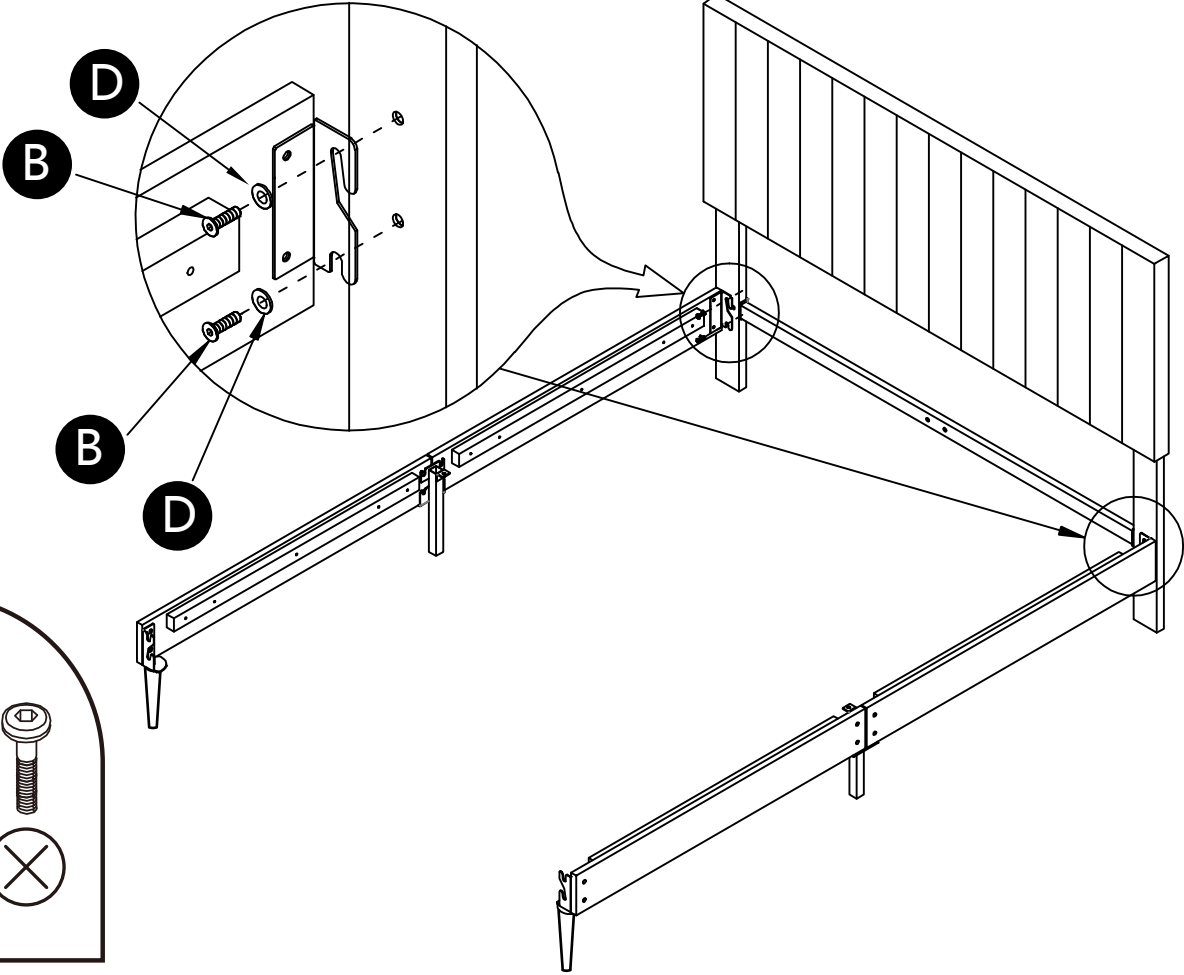
STEP 5



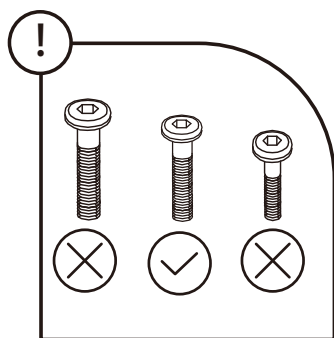
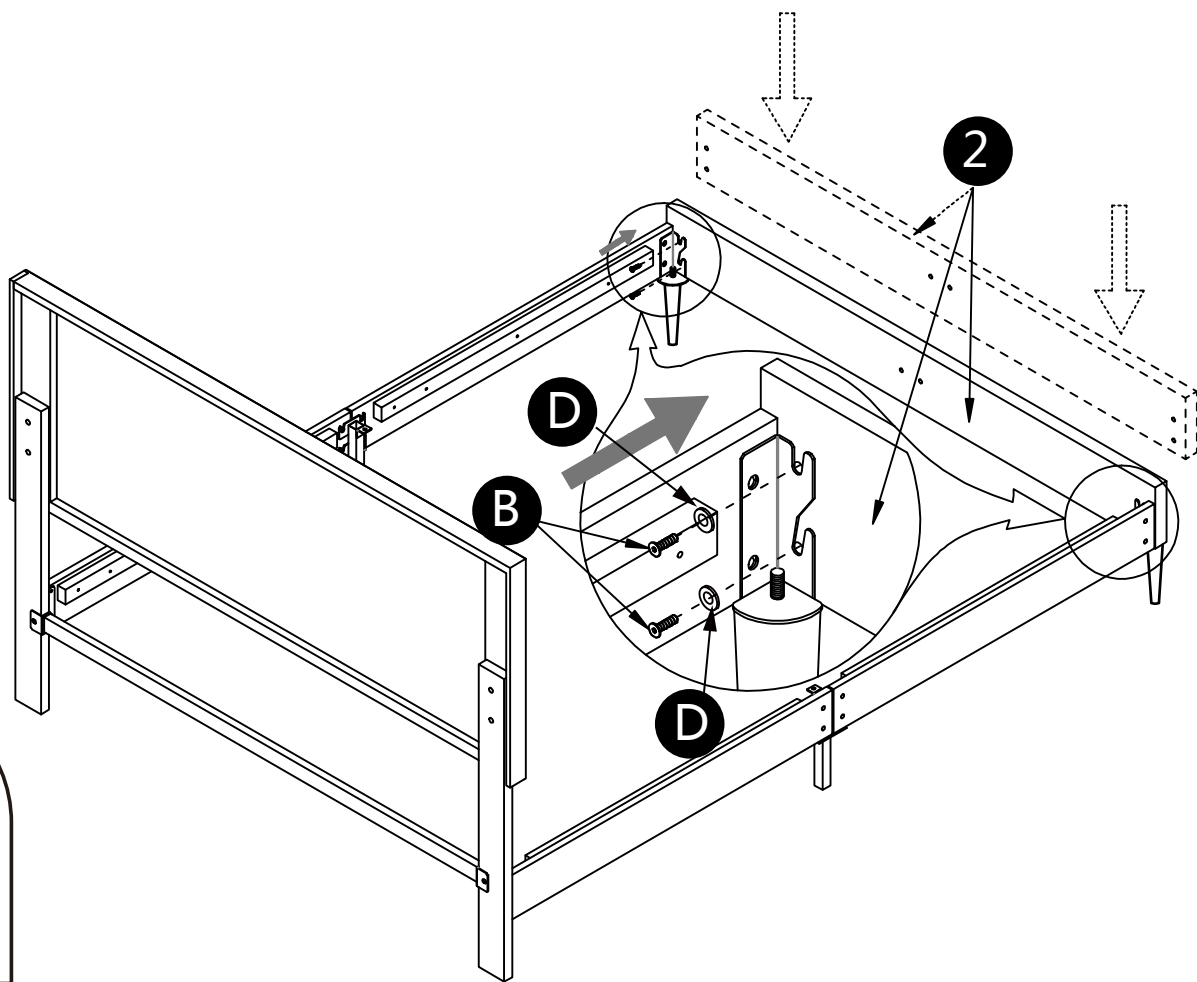
STEP 6



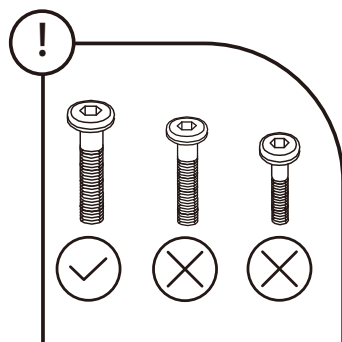
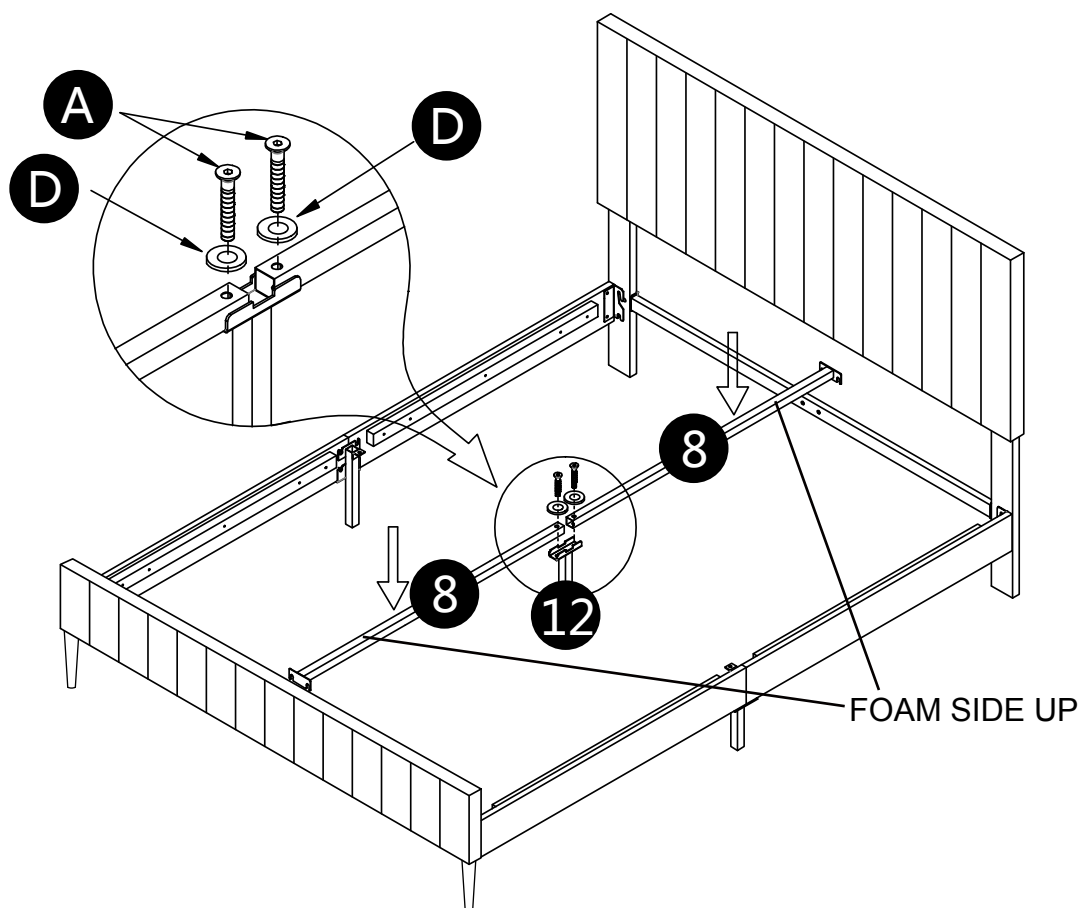
STEP 7



STEP 8

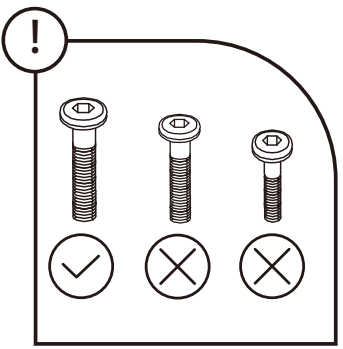
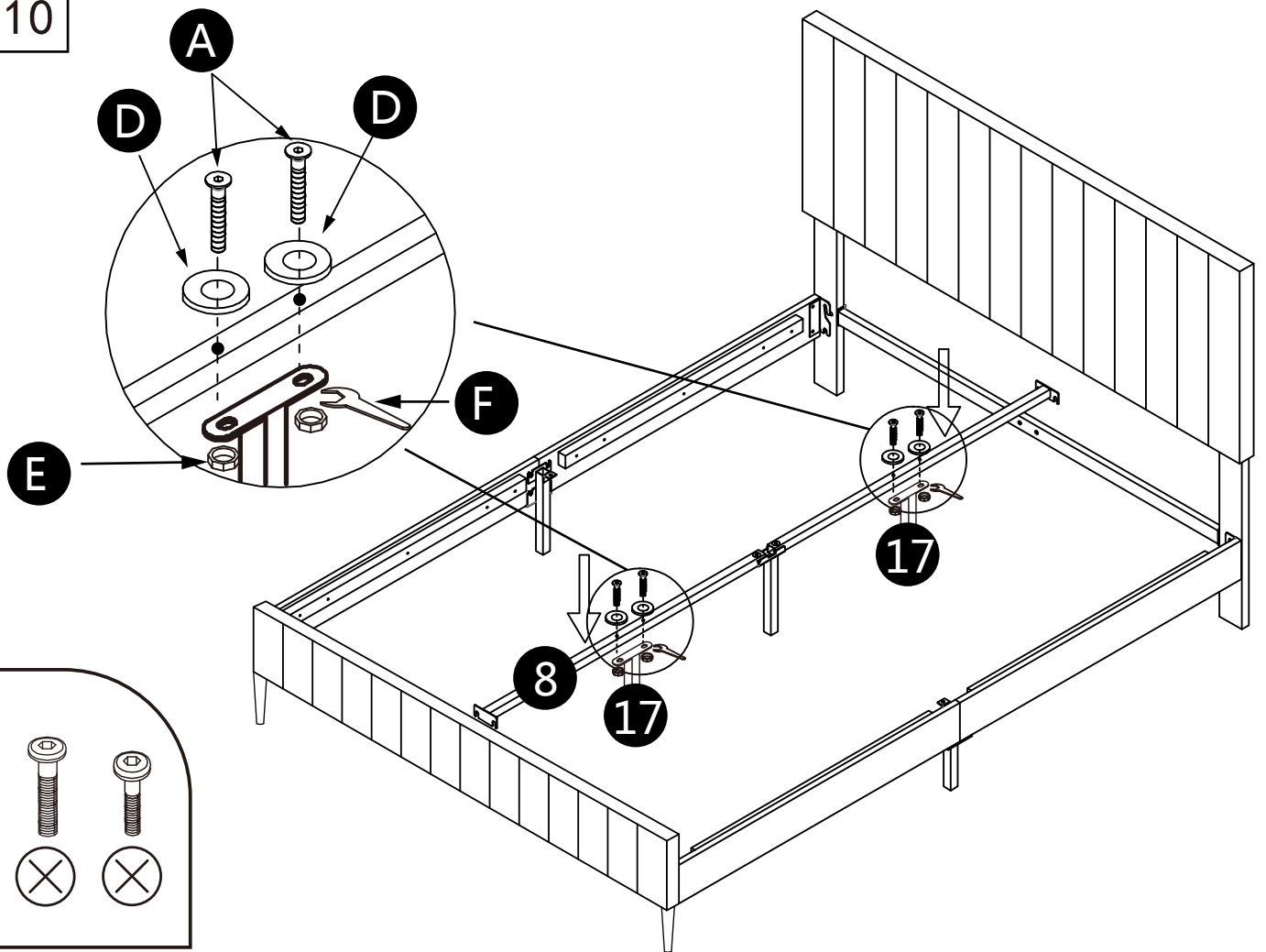


STEP 9

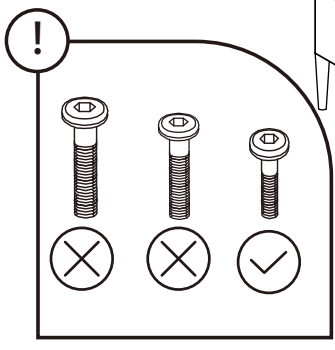
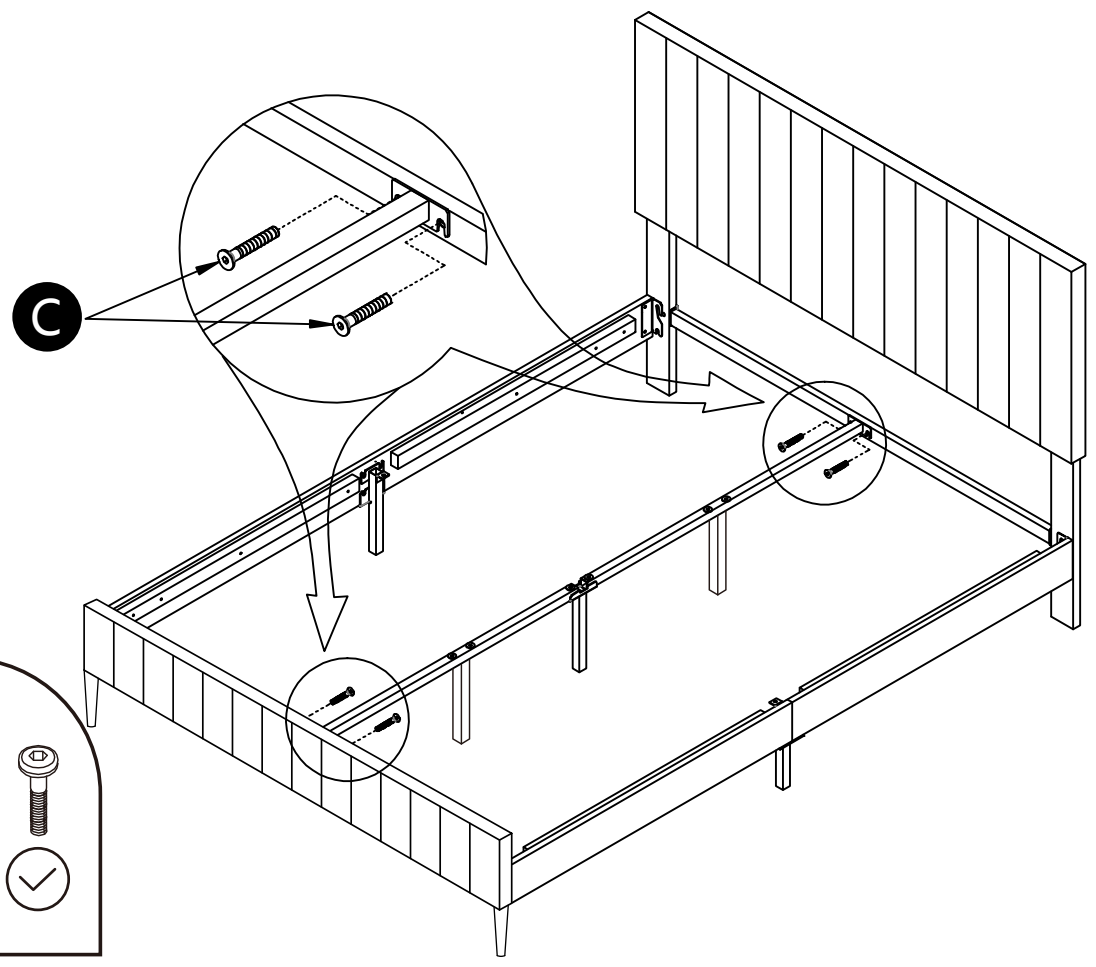




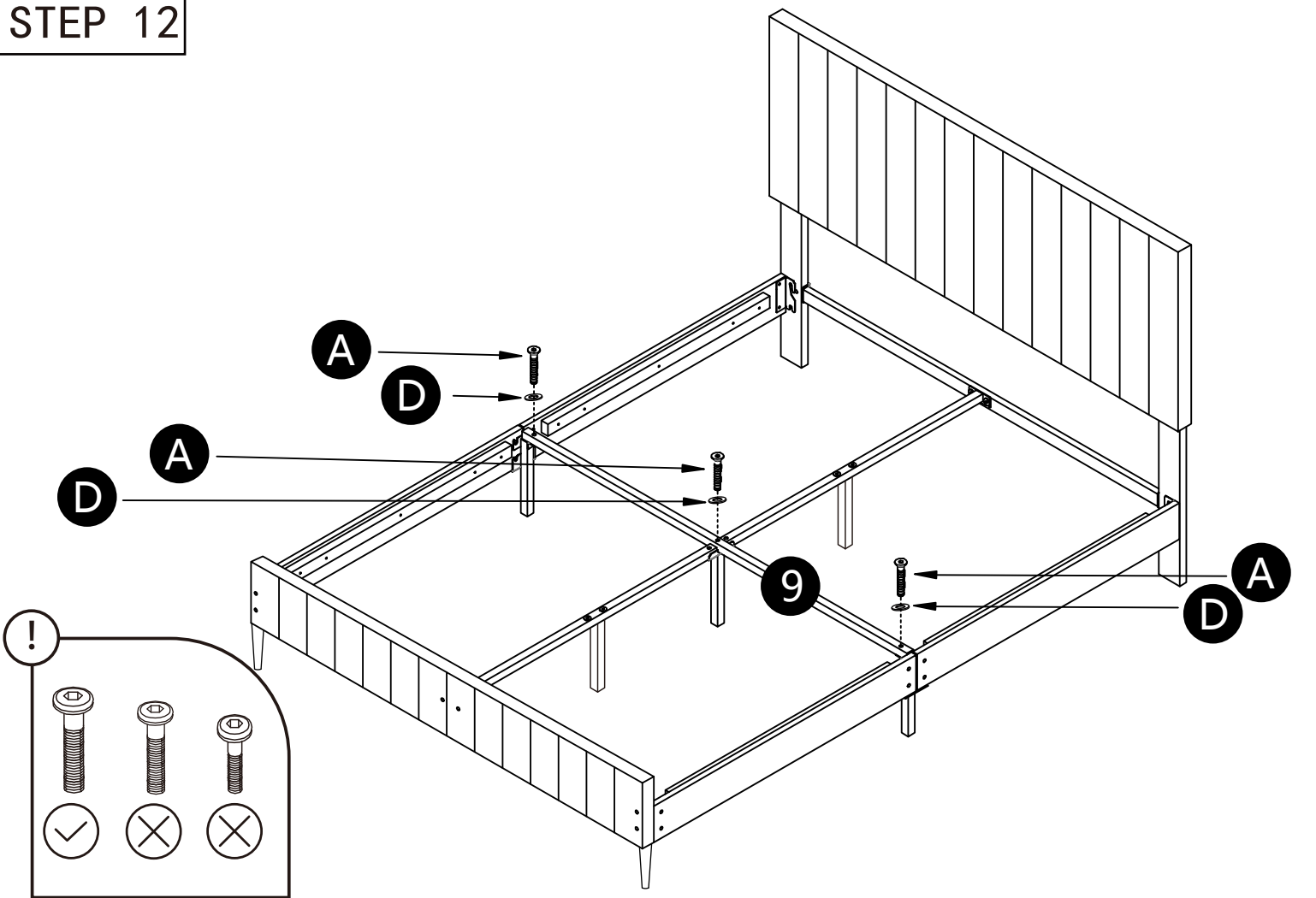
STEP 10



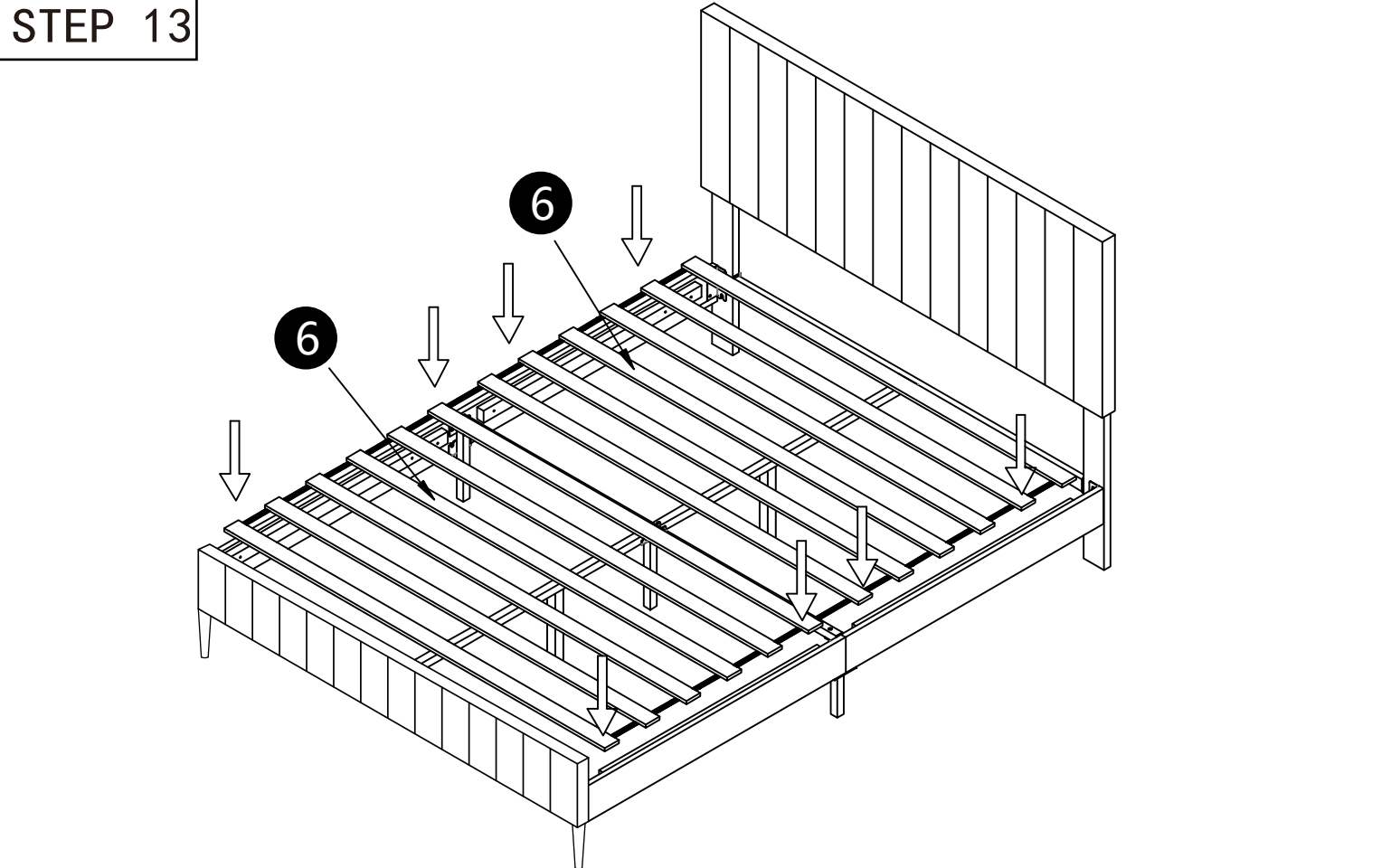
STEP 11



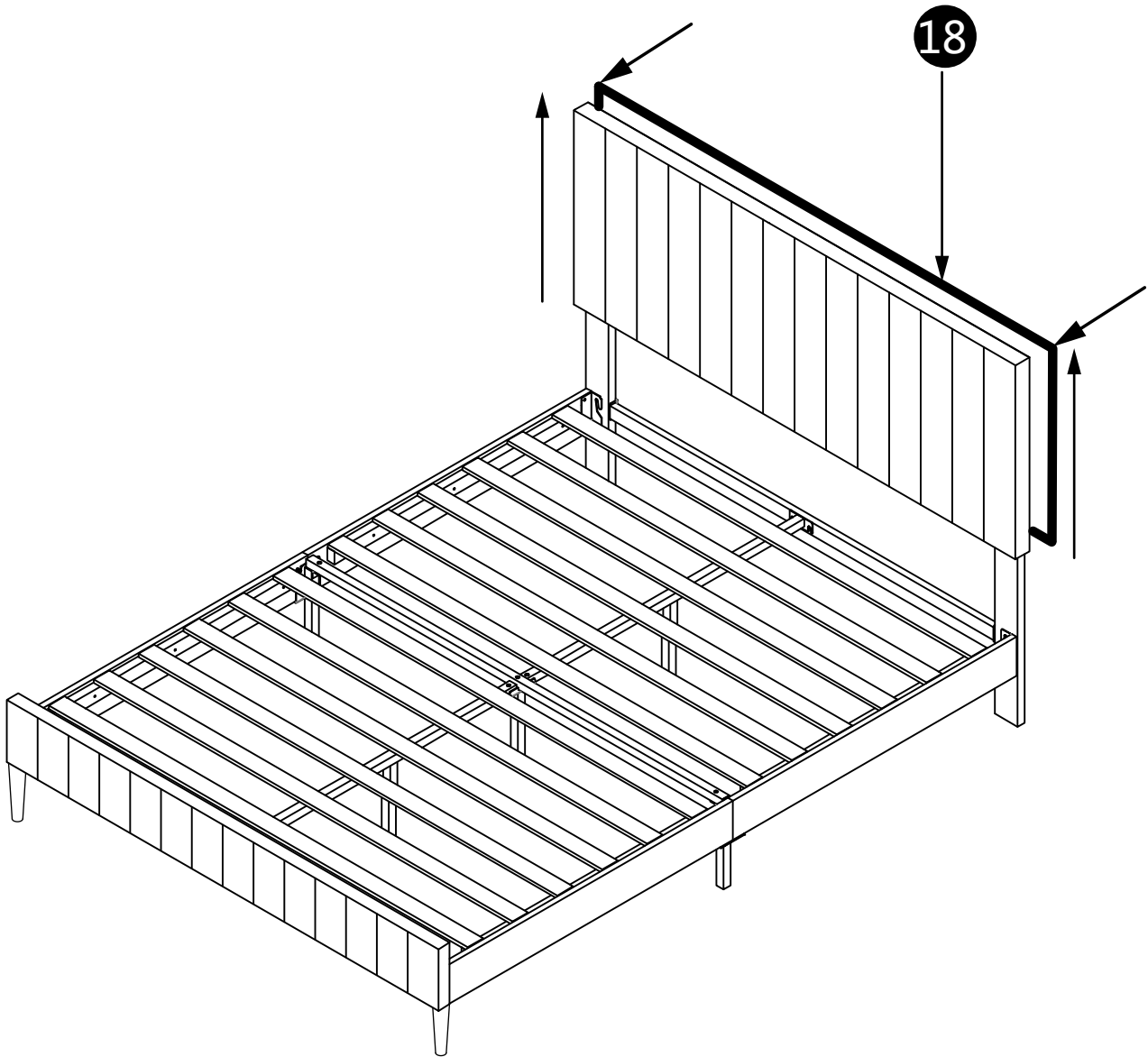
STEP 12



STEP 13



STEP 14



**Step 14 : Attach the non-woven fabric behind the headboard.**