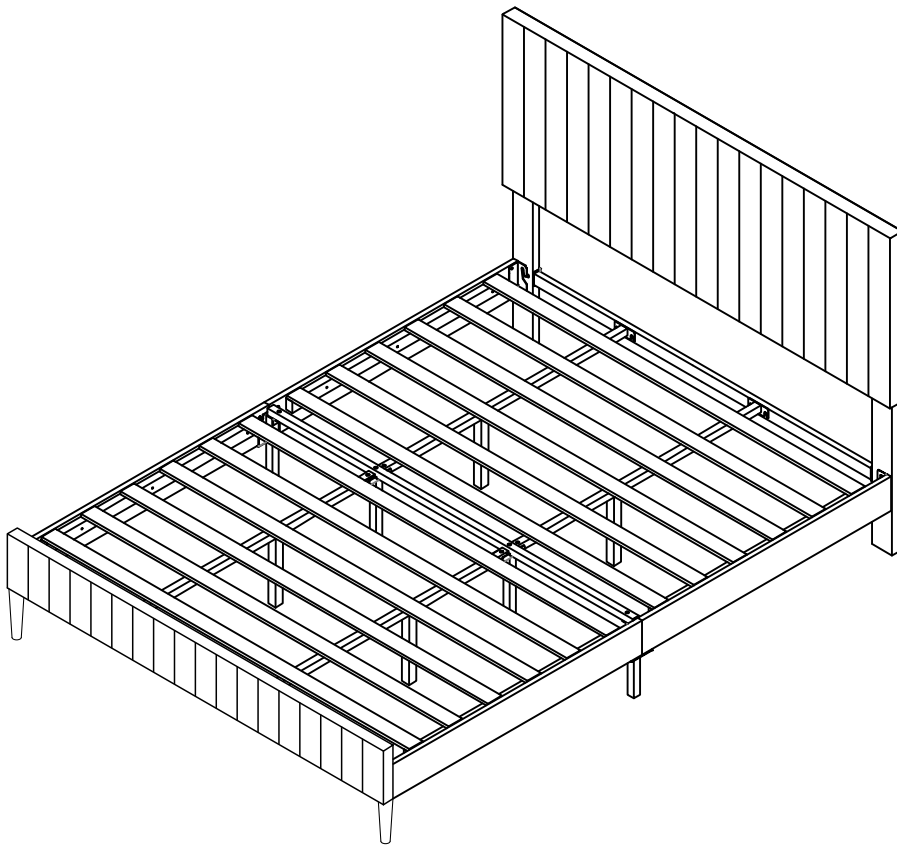


version 1.0

Meraki Imports

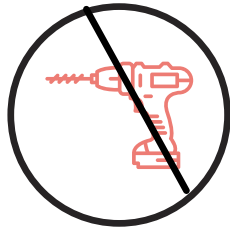
ASSEMBLY SHEET



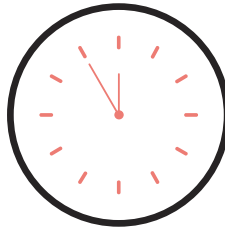
VFB-02



No. of People: 1



NO power tools required.



Time: 1 hour(s)



Use a damp cloth to clean.










Level of difficulty: 2/4

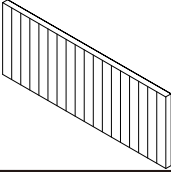
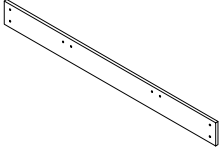
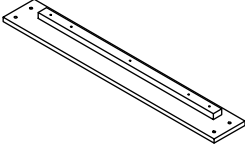
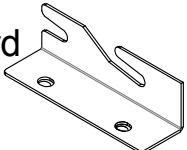
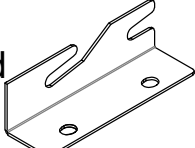
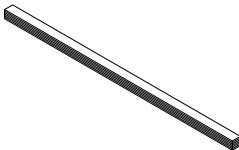
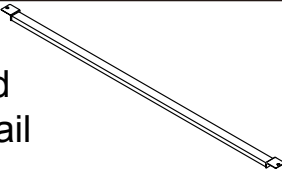
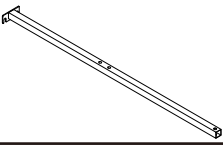
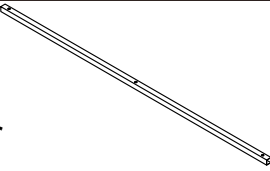
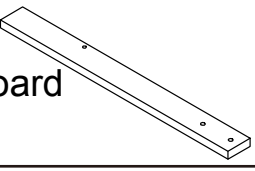
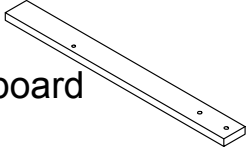
ASSEMBLY INSTRUCTIONS

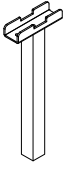
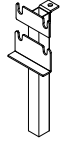

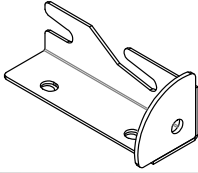
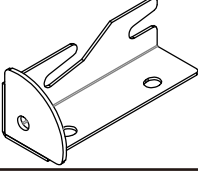

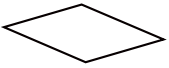
Thank you for making a purchase with Meraki Imports. The goal of this assembly sheet is to help you assemble the product in a way that will contribute to its longevity and durability. Kindly follow all the instructions carefully to ensure a safe and accurate assembling process.

A few important things to note:

- Please do not use a power tool to assemble this product. Using one may hinder and/or damage the item and will invalidate any claims for warranty.
- Depending on the amount of use this product receives, it may be recommended to tighten up the fixings from time to time. This is completely normal!
- Do not drag the bed. Always lift with at least two people to avoid injury or damage.

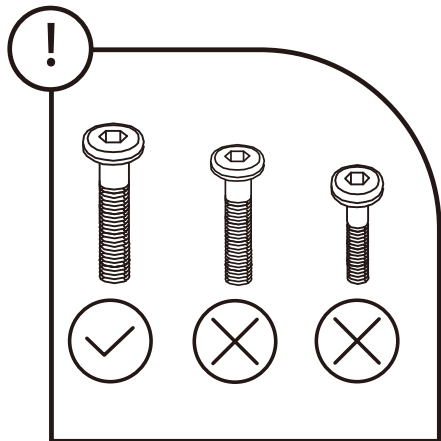
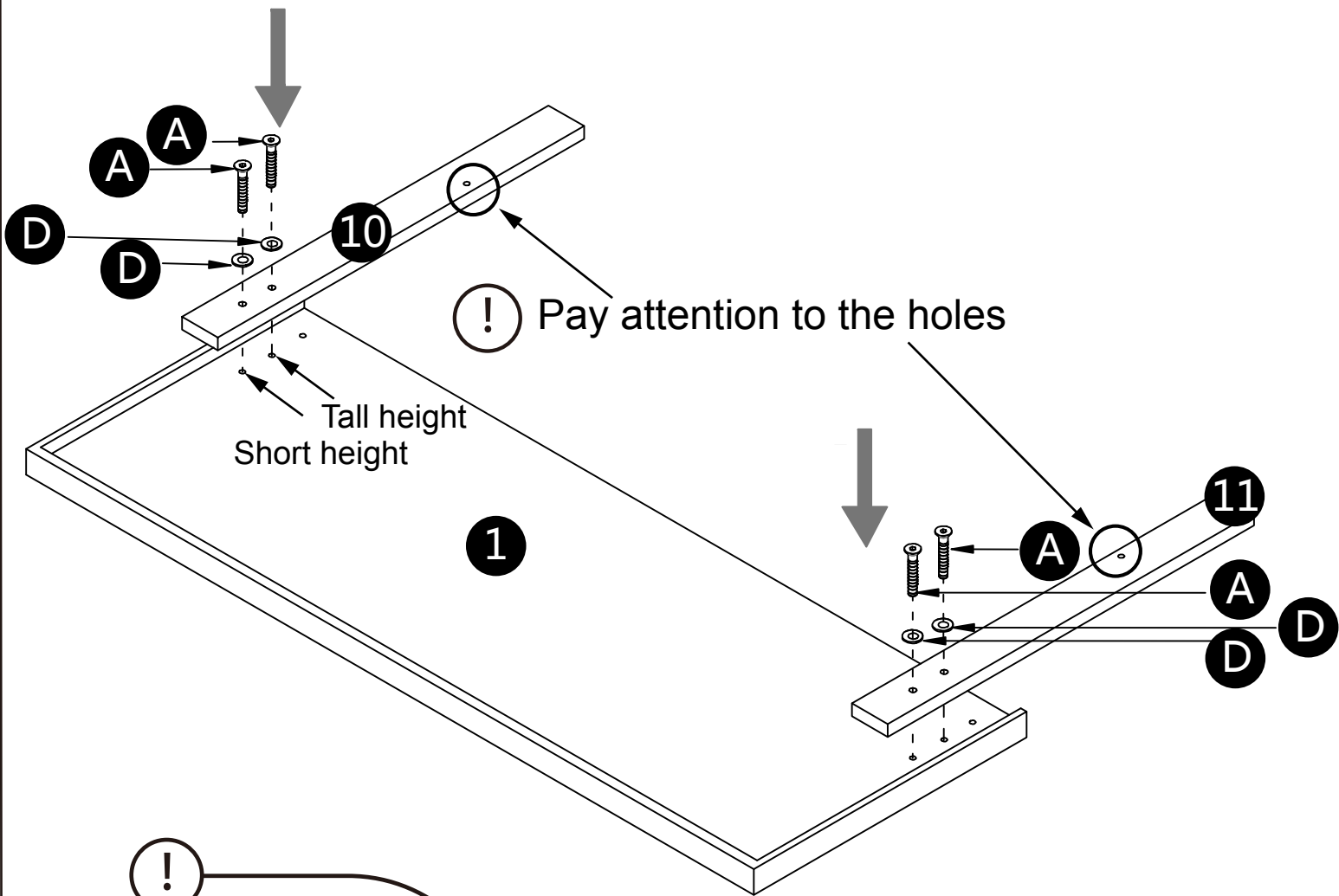
| PARTS INVENTORY | | |
|-----------------|--|-----|
| ID | DESCRIPTION | QTY |
| A | M8*45 BOLT  | 20 |
| B | M8*25 BOLT  | 10 |
| C | M8*16 BOLT  | 24 |
| D | FLAT WASHER M8  | 46 |
| E | NUT  | 8 |
| F | ALLEN KEY  | 1 |
| G | OPEN SPANNER  | 1 |
| | | |

| PARTS INVENTORY | | |
|-----------------|---|-----|
| ID | DESCRIPTION | QTY |
| 1 | Headboard  | 1 |
| 2 | Footboard  | 1 |
| 3 | Side Rail  | 4 |
| 4 | Right Headboard Connector  | 1 |
| 5 | Left Headboard Connector  | 1 |
| 6 | Slats  | 2 |
| 7 | Headboard Support Rail  | 1 |
| 8 | Center Frame  | 4 |
| 9 | Side Rail Connector  | 1 |
| 10 | Left Headboard Legs  | 1 |
| 11 | Right Headboard Legs  | 1 |

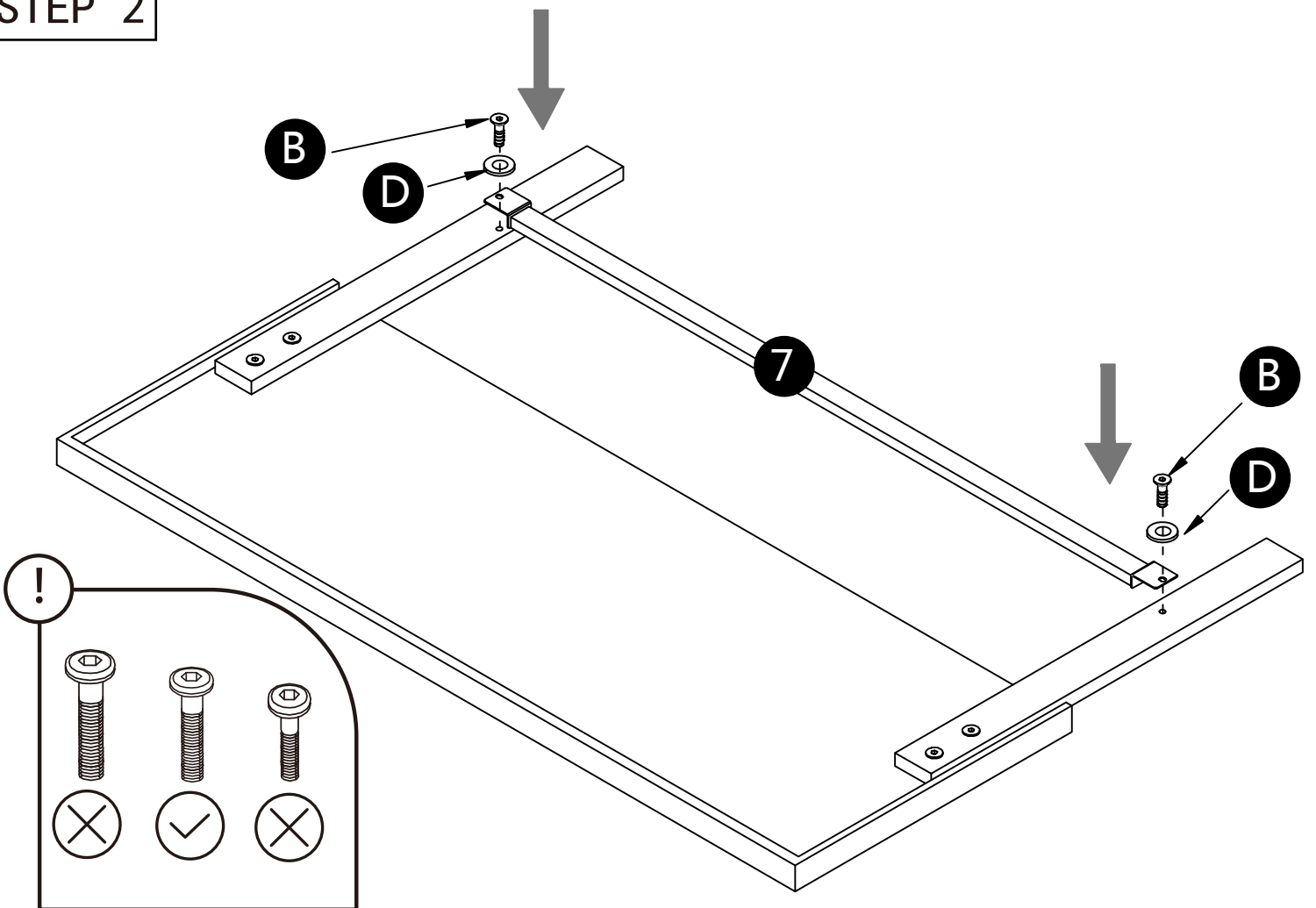
| PARTS INVENTORY | | |
|-----------------|---|-----|
| ID | DESCRIPTION | QTY |
| 12 | Center Floating Legs  | 2 |
| 13 | Center Rail Legs  | 2 |
| 14 | Wood Legs  | 2 |
| 15 | Right Footboard Connector  | 1 |
| 16 | Left Footboard Connector  | 1 |
| 17 | Center Floating Legs  | 4 |
| 18 | Non-woven Cloth  | 1 |
| | | |
| | | |
| | | |
| | | |

STEP 1

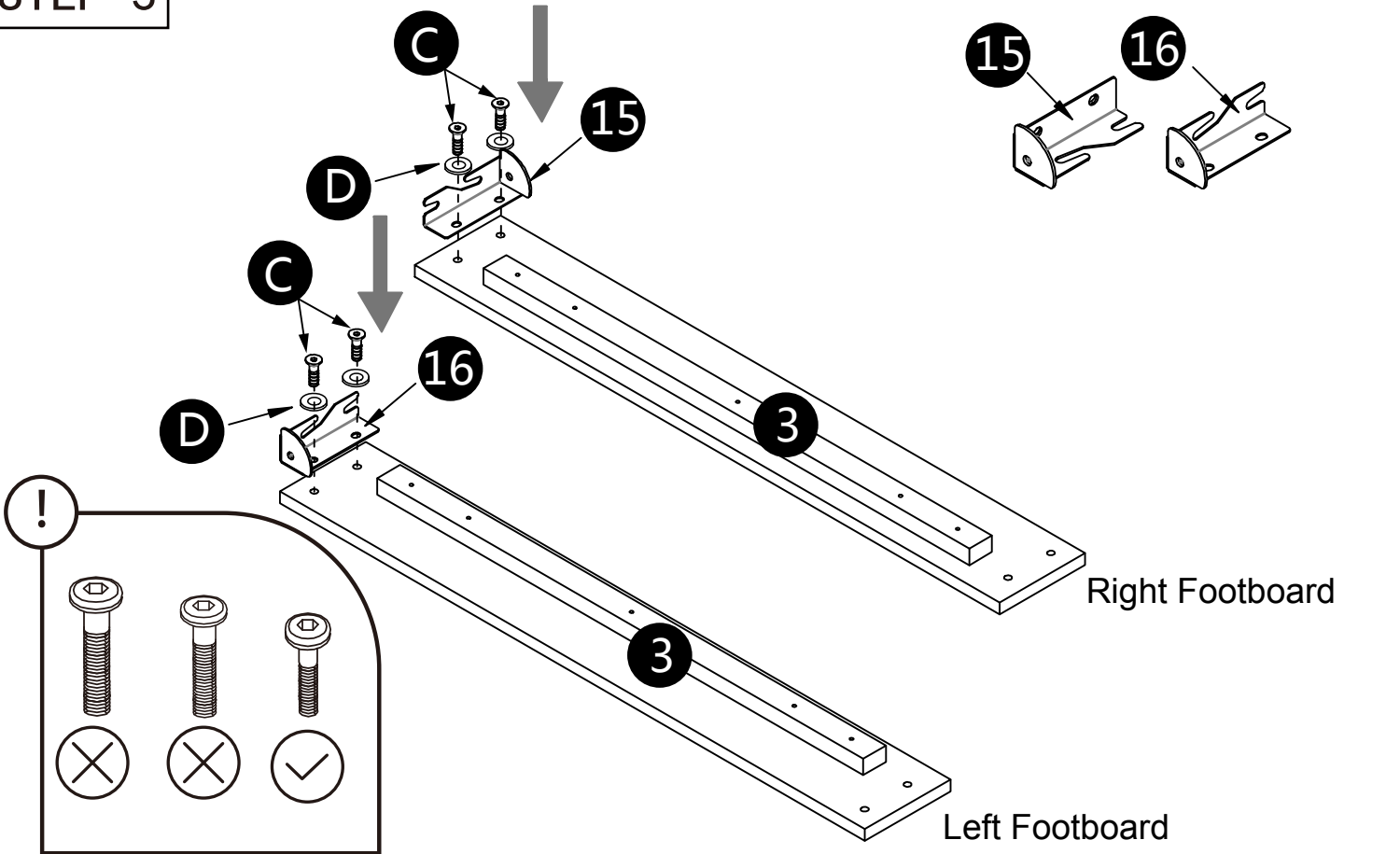
Two adjustable heights



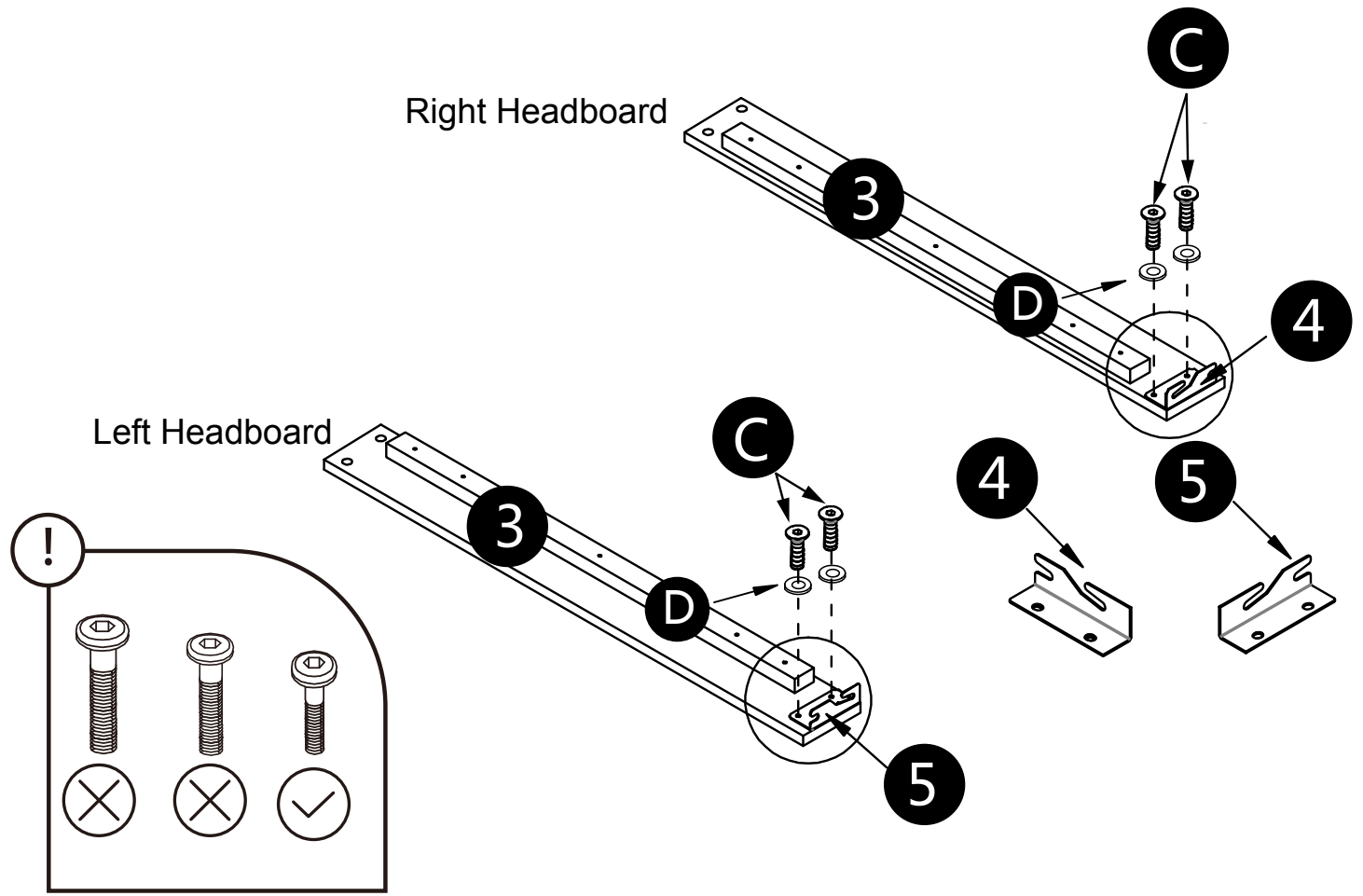
STEP 2



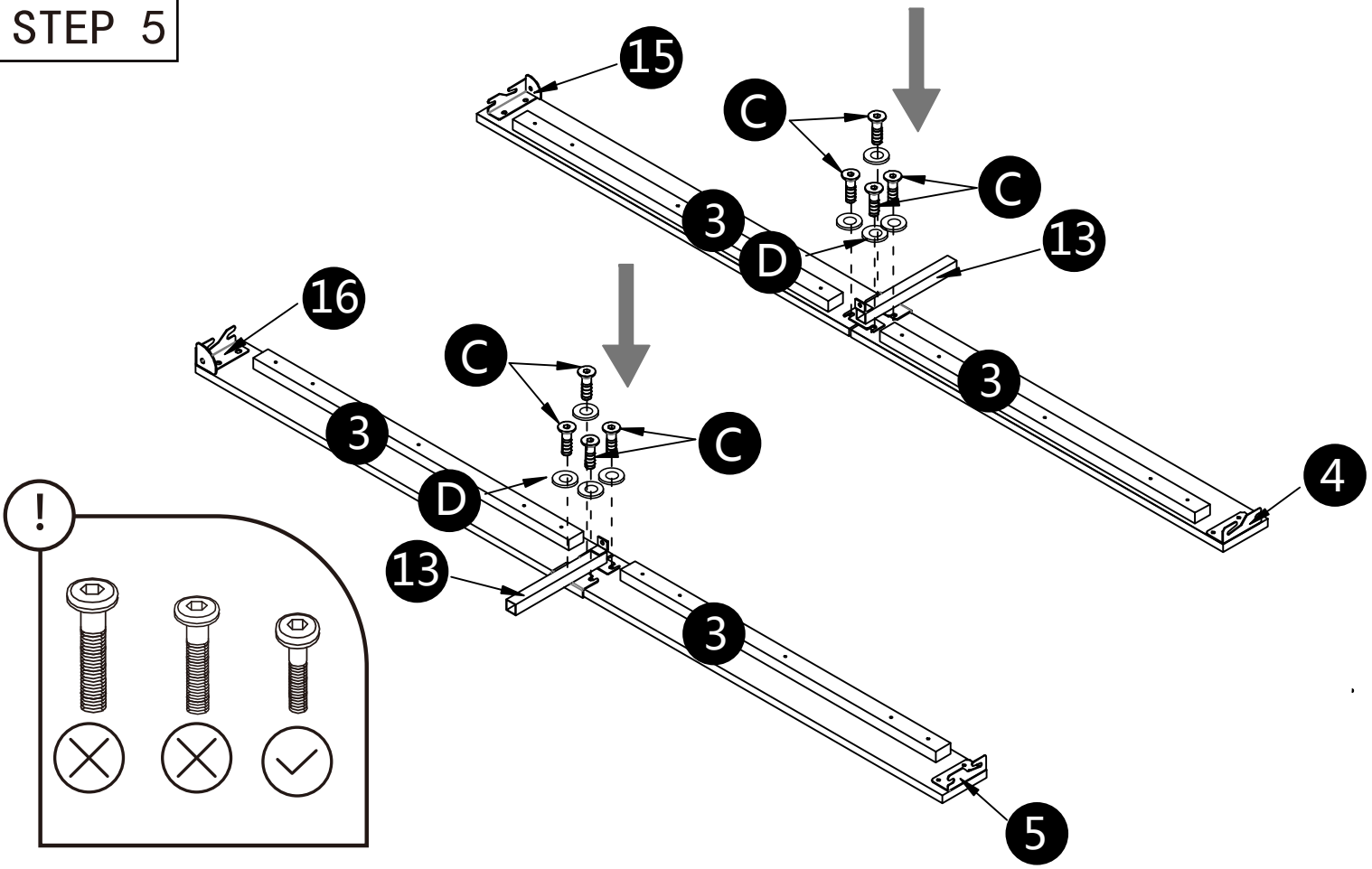
STEP 3



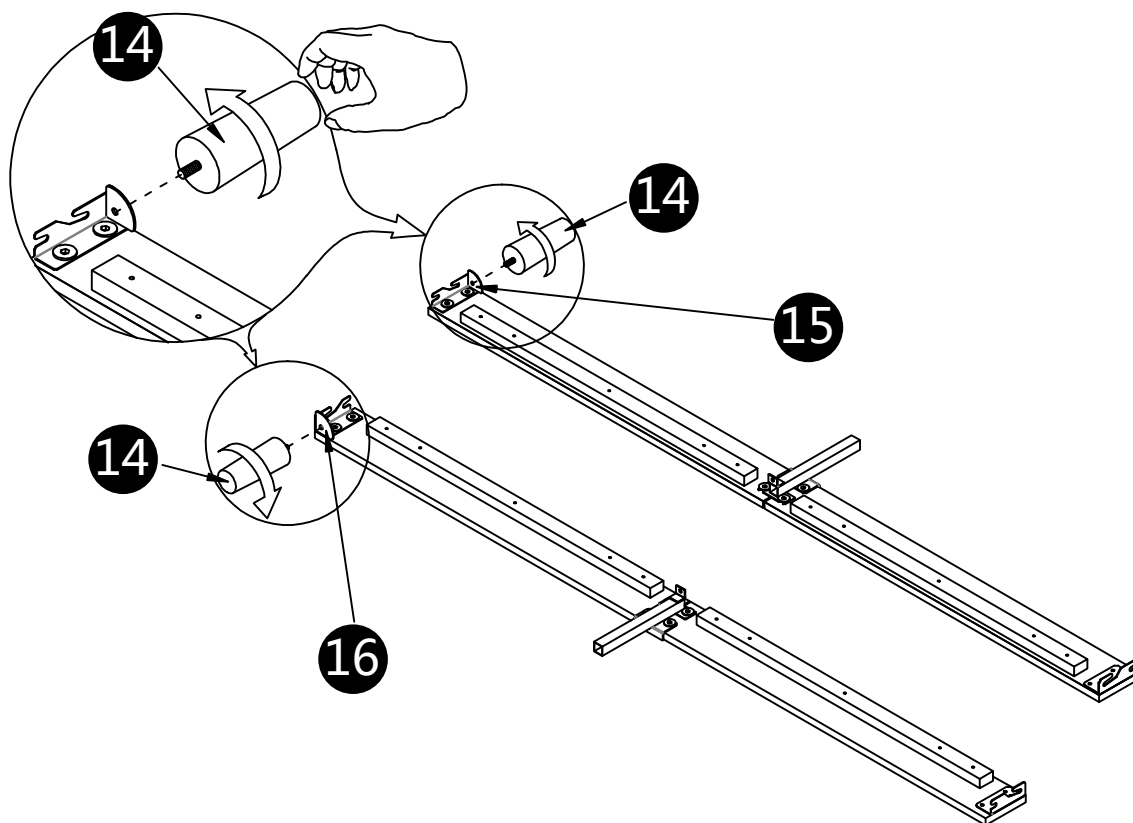
STEP 4



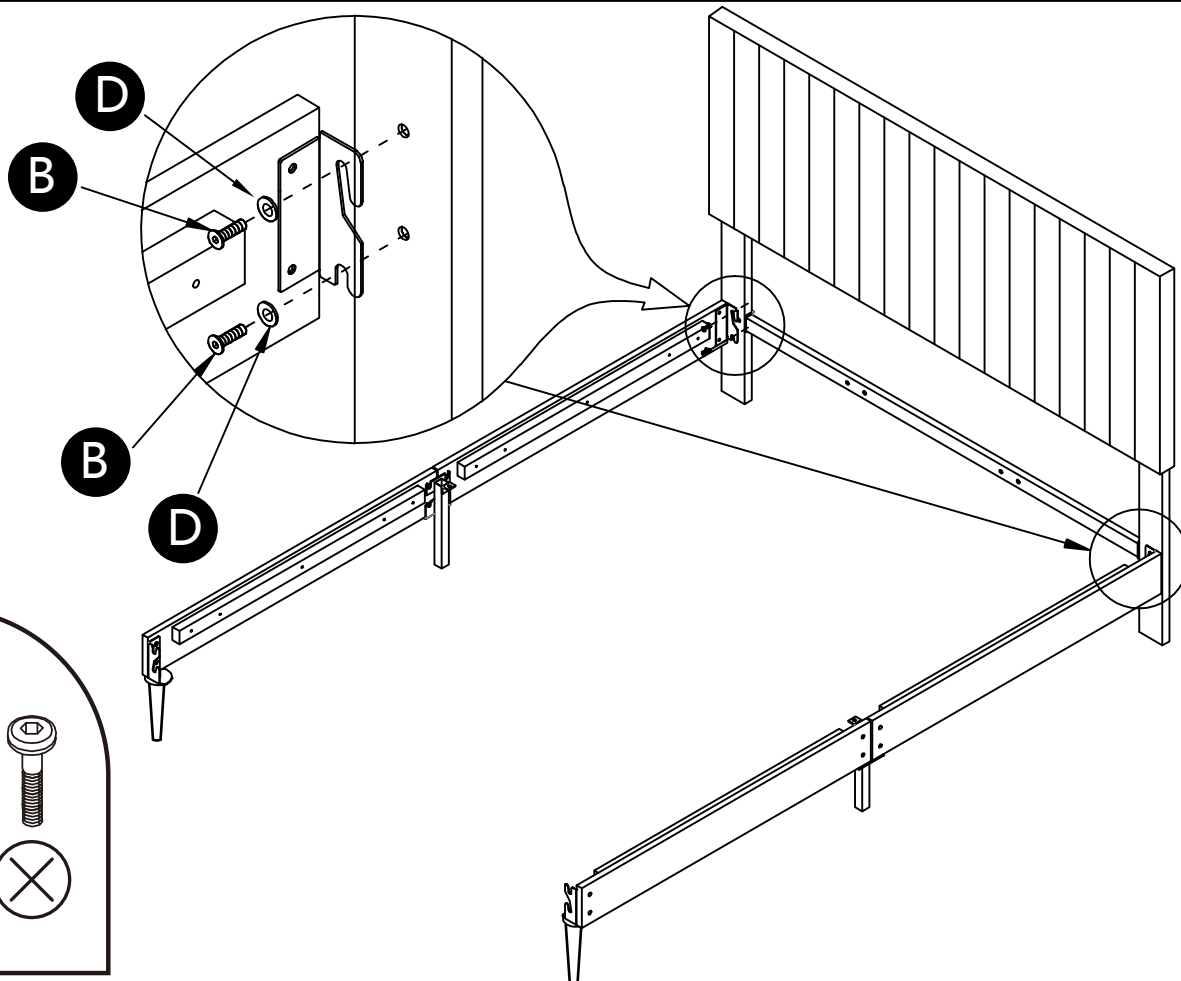
STEP 5



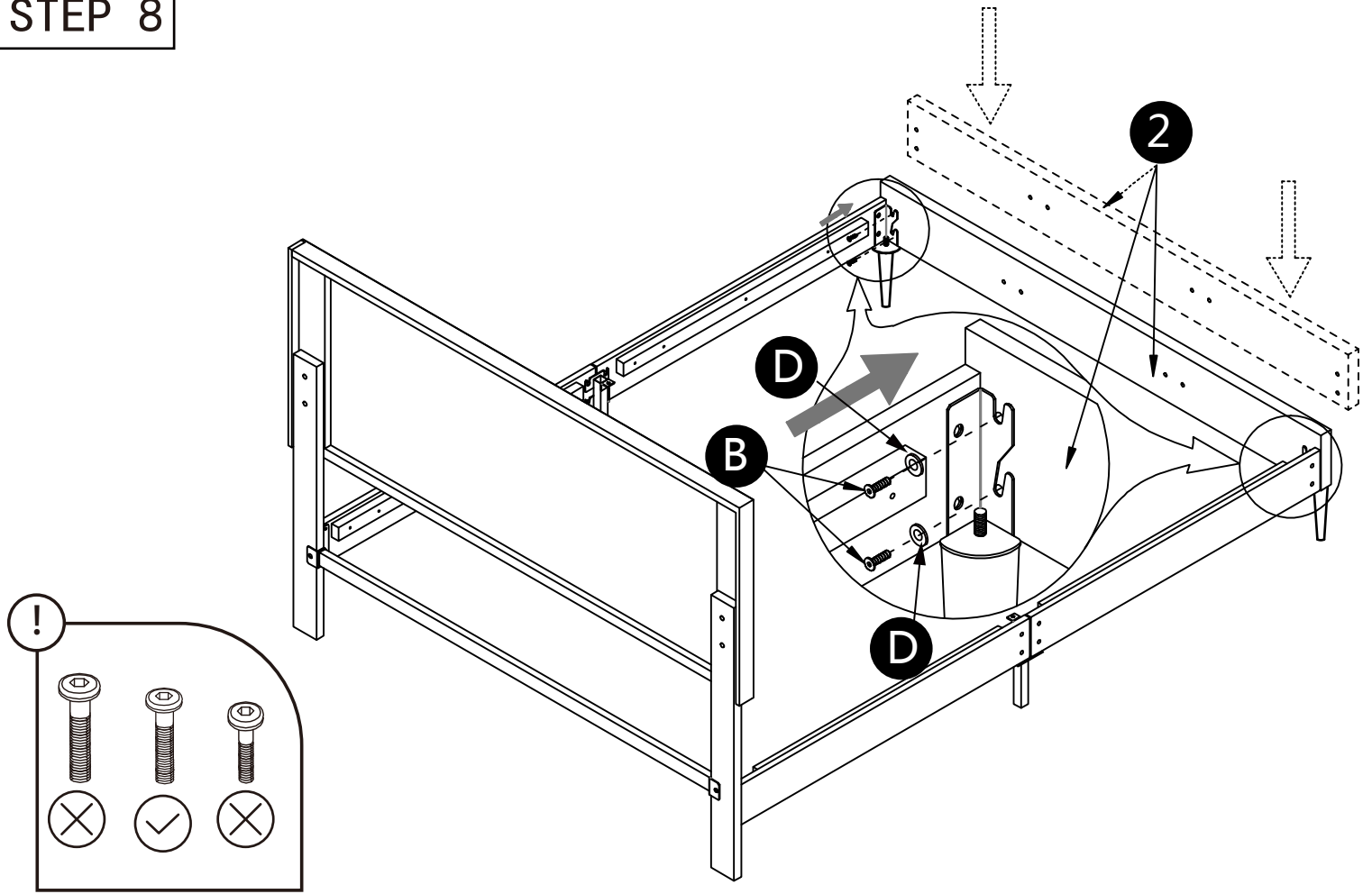
STEP 6



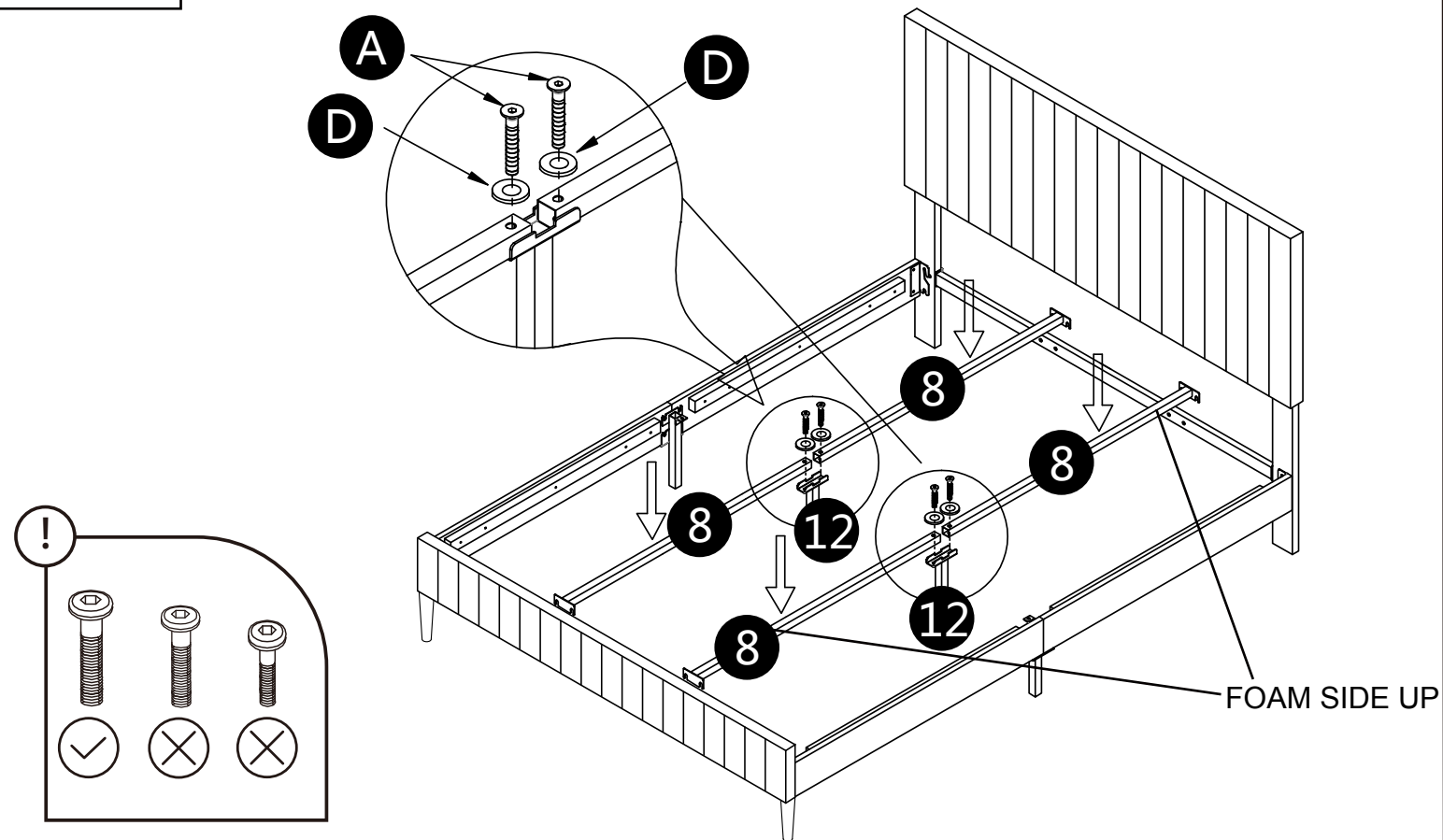
STEP 7



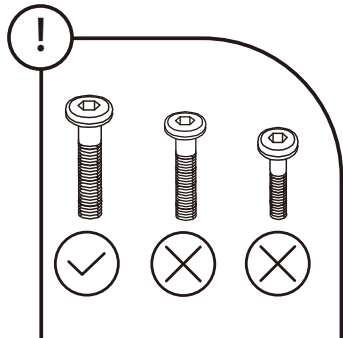
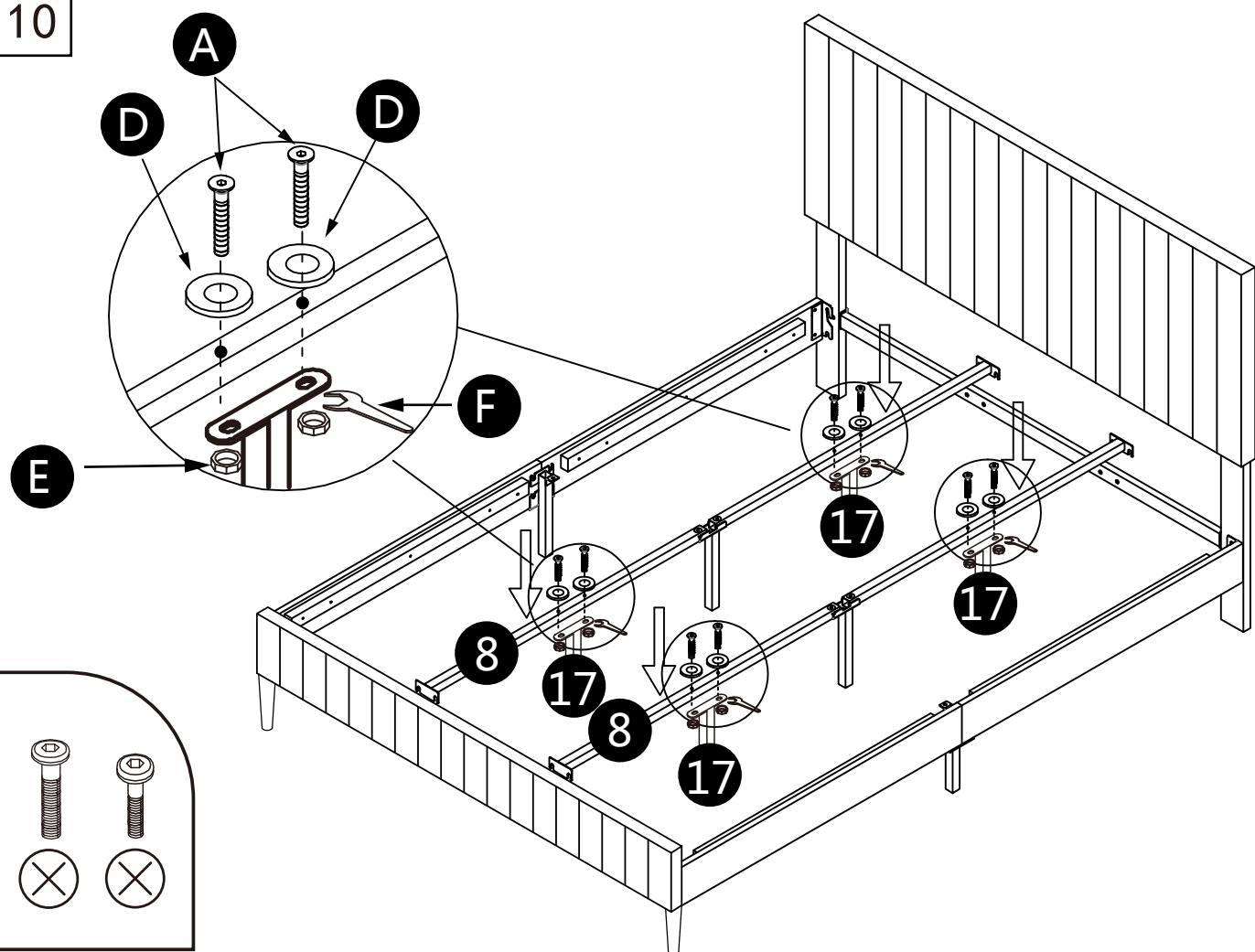
STEP 8



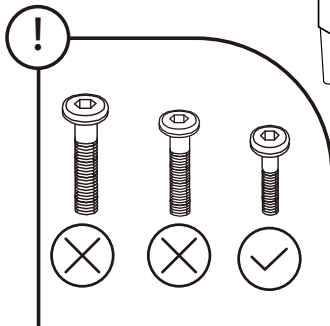
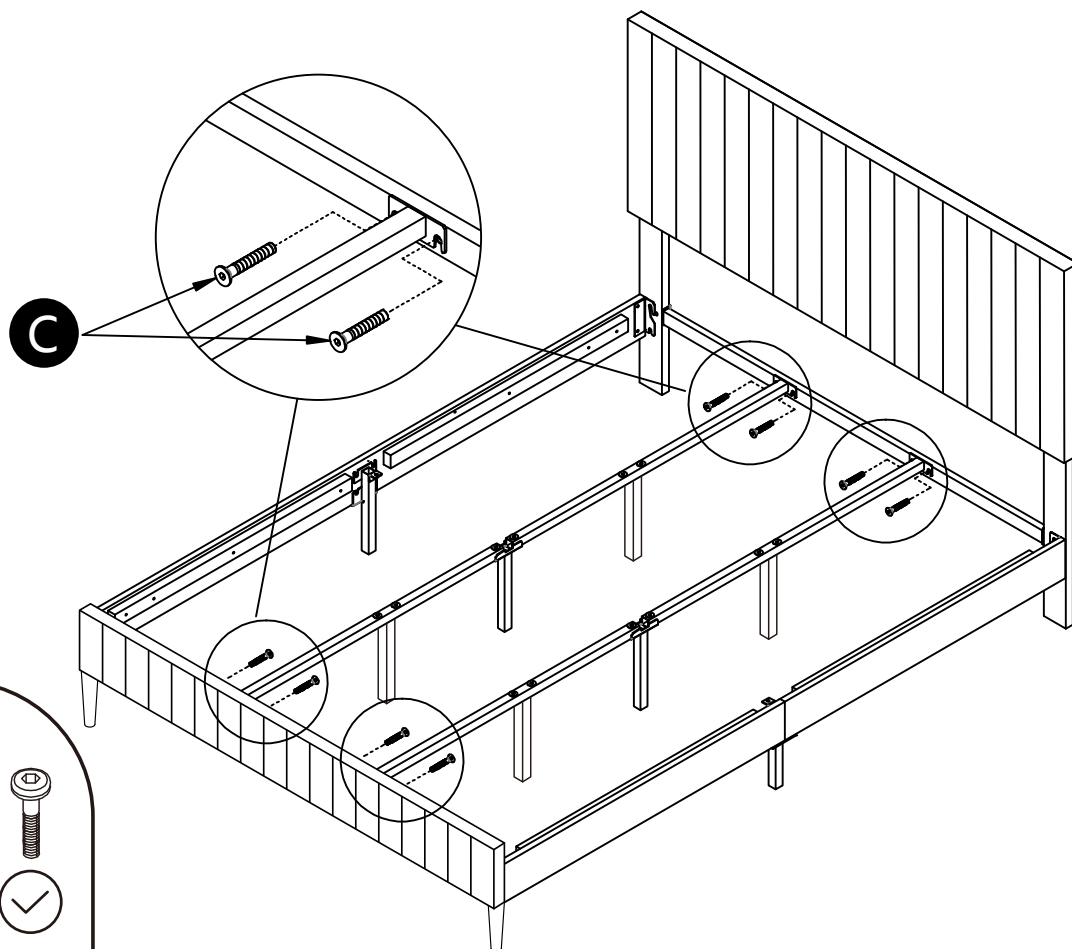
STEP 9



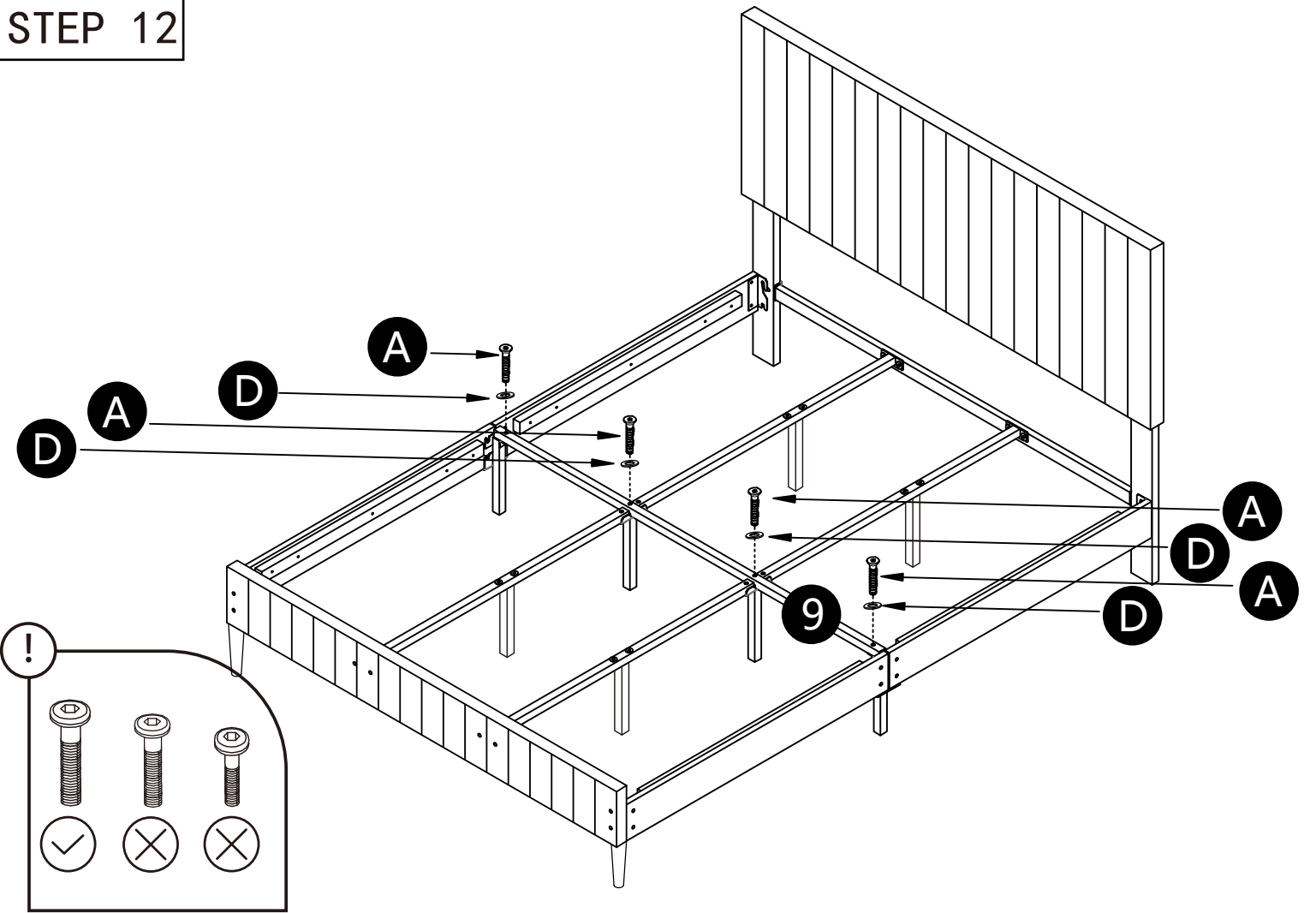
STEP 10



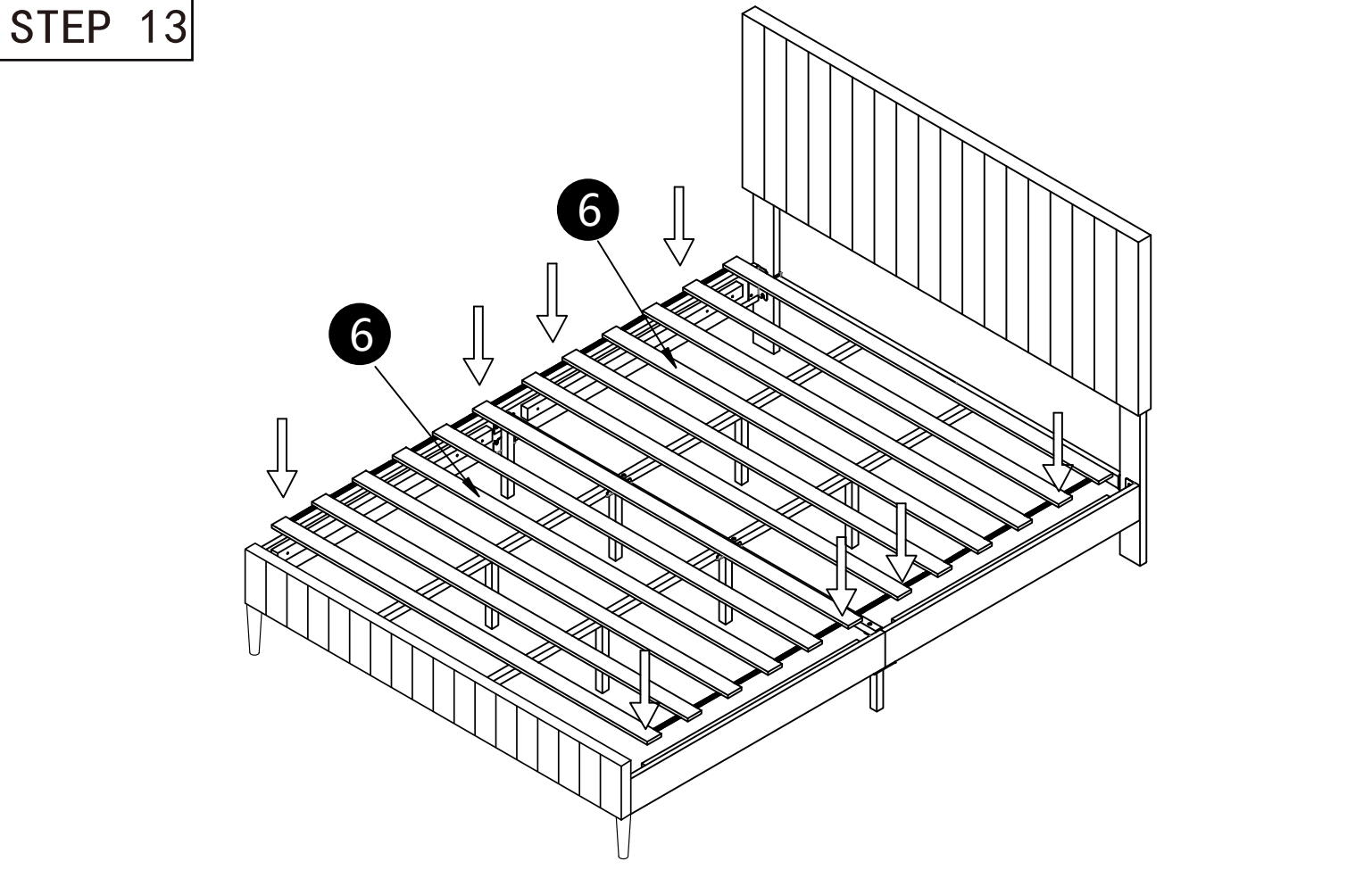
STEP 11

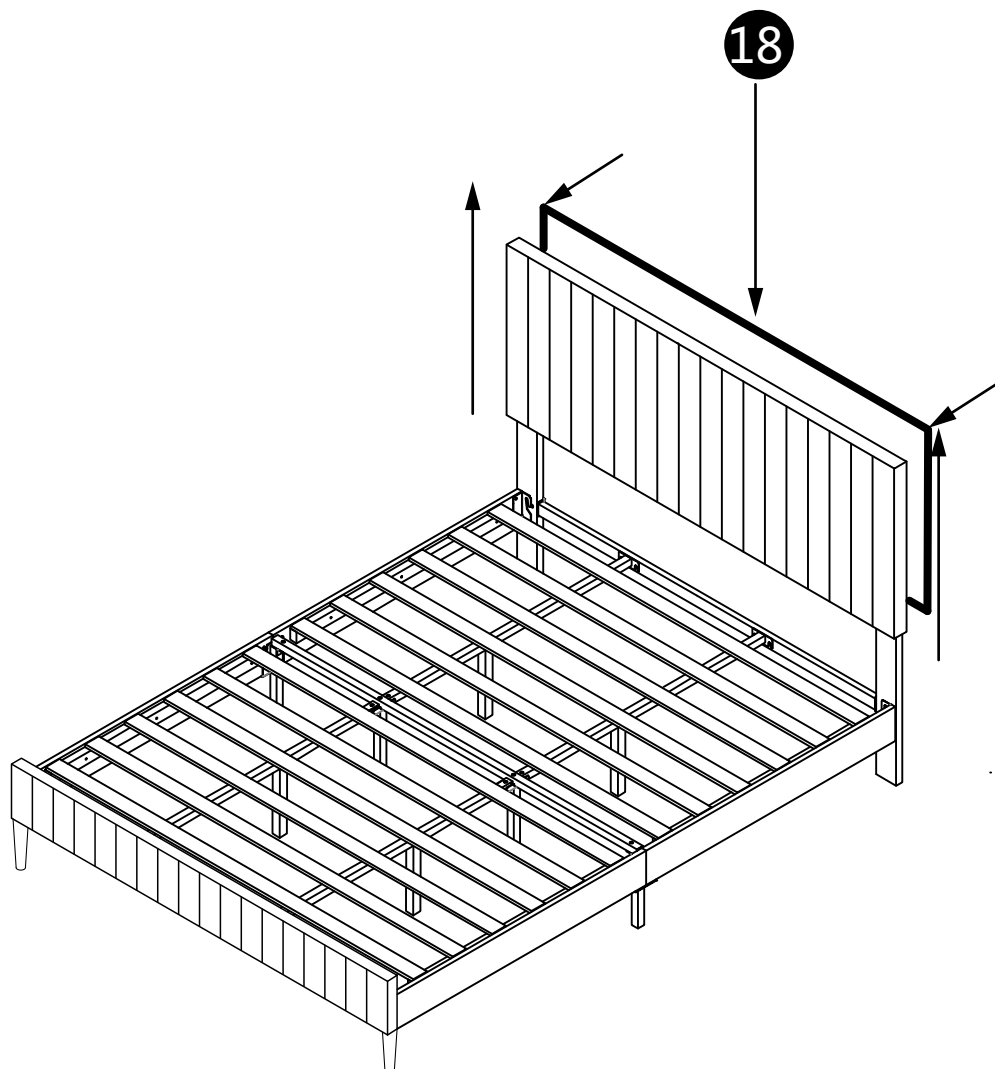


STEP 12



STEP 13



STEP 14

Step 14 : Attach the non-woven fabric behind the headboard.