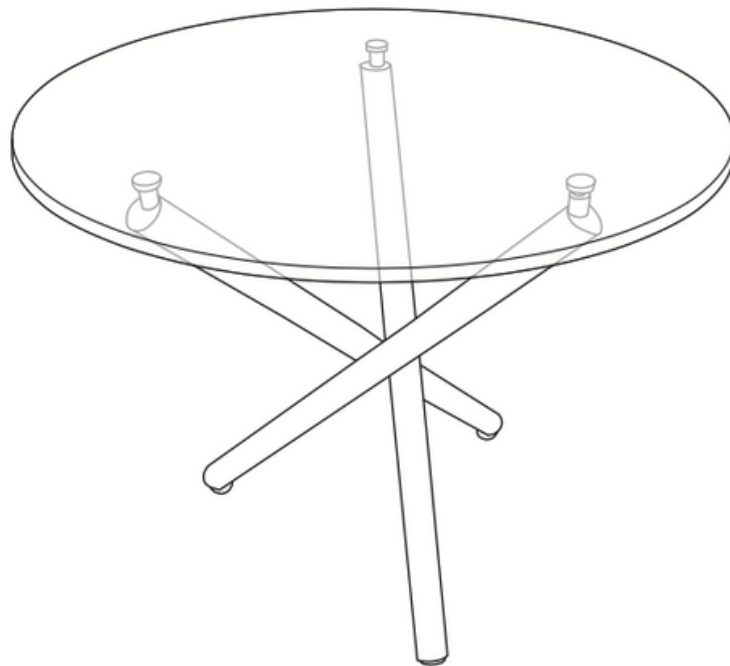


meraki

I M P O R T S

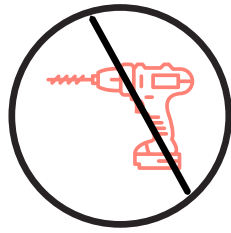


Ace Glass Dining Table

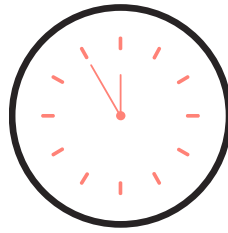
ASSEMBLY SHEET



No. of People: 1



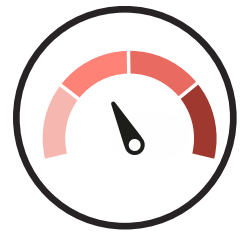
NO power tools required.



Time: 25 minutes



Use a damp cloth to clean.












Level of difficulty: 2/4

ASSEMBLY INSTRUCTIONS

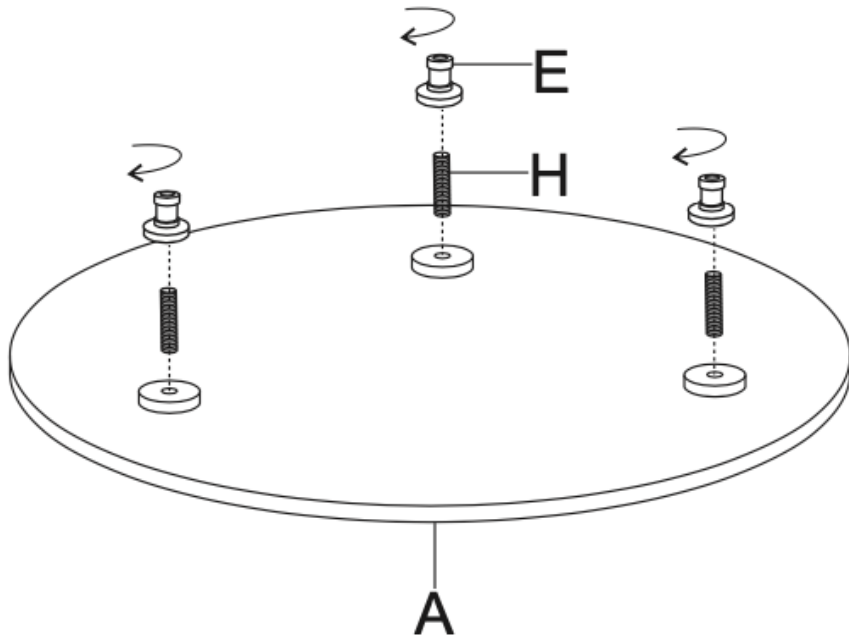
Thank you for making a purchase with Meraki Imports. The goal of this assembly sheet is to help you assemble the product in a way that will contribute to its longevity and durability. Kindly follow all the instructions carefully to ensure a safe and accurate assembling process.

A few important things to note:

- Please do not use a power tool to assemble this product. Using one may hinder and/or damage the item and will invalidate any claims for warranty.
- Depending on the amount of use this product receives, it may be recommended to tighten up the fixings from time to time. This is completely normal!

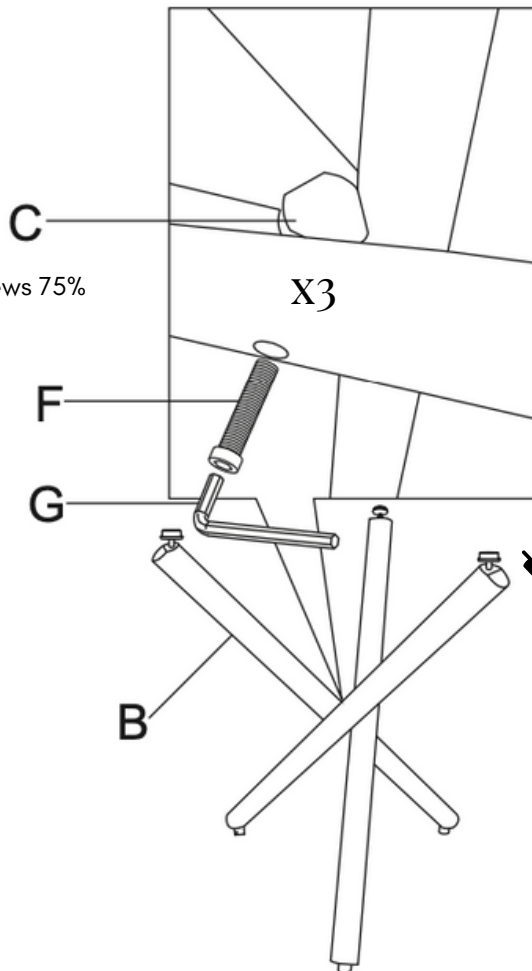
ID	Description	Qty
A	Top 	1
B	Legs 	3
C	Legs Connector 	1
D	Screw m6x12mm 	3
E	Glass Holder 	3
F	Screw M8x55mm 	3
G	Allen Key 	1
H	Screw M8X15mm 	3
I	Allen Key 	1

1



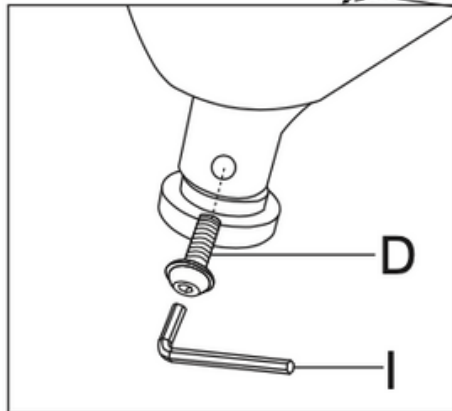
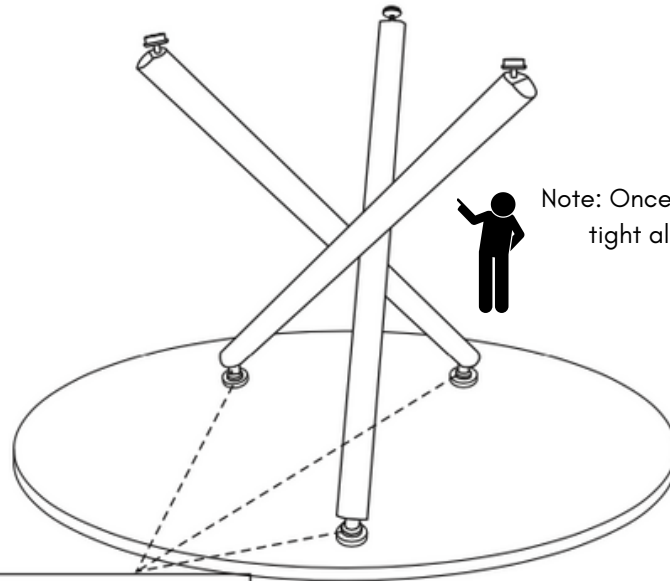
2

Note: Tight the screws 75%



Note: Make sure all the legs feet are on the same side

3



4

