

## SAFE BATTERY USAGE

- Use alkaline batteries for best performance and longer life.
- Use only the battery type recommended for the unit.
- Batteries should be replaced only by an adult.
- Insert batteries with the correct polarity (+ and -).
- Do not mix old and new batteries.
- Do not mix alkaline, standard (carbon-zinc), or rechargeable batteries.
- Do not short-circuit batteries.
- When not used for an extended time, remove batteries to prevent possible leakage and damage to the unit.
- Do not mix rechargeable and non-rechargeable batteries.
- Rechargeable batteries are to be removed from the toy before charging.
- Rechargeable batteries are to be recharged only under adult supervision.
- Do not recharge non-rechargeable batteries.
- Exhausted batteries are to be removed from the toy.
- Do not dispose of batteries in fire as they may leak or explode.

## FCC COMPLIANCE

NOTE: This equipment has been tested and found to comply with the limits for a Class B digital device, pursuant to Part 15 of the FCC Rules. These limits are designed to provide reasonable protection against harmful interference in a residential installation. This equipment generates, uses and can radiate radio frequency energy and, if not installed and used in accordance with the instructions, may cause harmful interference to radio communications. However, there is no guarantee that interference will not occur in a particular installation. If this equipment does cause harmful interference to radio or television reception, which can be determined by turning the equipment off and on, the user is encouraged to try to correct the interference by one or more of the following measures:

- Reorient or relocate the receiving antenna.
  - Increase the separation between the equipment and receiver.
  - Connect the equipment into an outlet on a circuit different from that to which the receiver is connected.
  - Consult the dealer or an experienced radio/TV technician for help.
- This device complies with Part 15 of the FCC Rules. Operation is subject to the following two conditions: (1) This device may not cause harmful interference, and (2) this device must accept any interference received, including interference that may cause undesired operation.

Caution: Modifications not authorized by the manufacturer may void users authority to operate this device.  
CAN ICES-3 (B)/NMB-3(B).



'Let's care for the environment!'

The wheelee bin symbol indicates that the product must not be disposed of with other household waste. Please use designated collection points or recycling facilities when disposing of the item. Do not treat old batteries as household waste. Take them to a designated recycling facility.

Please keep this manual as it contains important information.



1021-1-E/INT  
Printed in China

WWW.RAINBOWHIGH.COM  
©2021 MGA Entertainment, Inc.  
RAINBOW HIGH™ is a trademark of MGA in the U.S.  
and other countries. All logos, names, characters,  
likenesses, images, slogans, and packaging  
appearance are the property of MGA.

The preferred method of contact for  
Customer Service is through our e-mail  
contact form at [www.mgae.com](http://www.mgae.com)

#COLLECTTHERAINBOW

**MGA Entertainment, Inc.**  
9220 Winnetka Ave. Chatsworth, CA 91311  
U.S.A.  
(800) 222-4685

**MGA Entertainment UK Ltd.**  
50 Presley Way, Crownhill, Milton Keynes,  
MK8 0ES, Bucks, UK  
+ 0800 521 558

**MGA Entertainment (Netherlands) B.V.**  
Baronie 68-70, 2404 XG Alphen a/d Rijn,  
The Netherlands  
Tel: +31 (0) 172 758038

**Imported by MGA Entertainment Australia Pty Ltd.**  
Suite 2.02, 32 Delhi Road  
Macquarie Park NSW 2113  
1300 059 676



ADULT ASSEMBLY AND BATTERY INSTALLATION REQUIRED

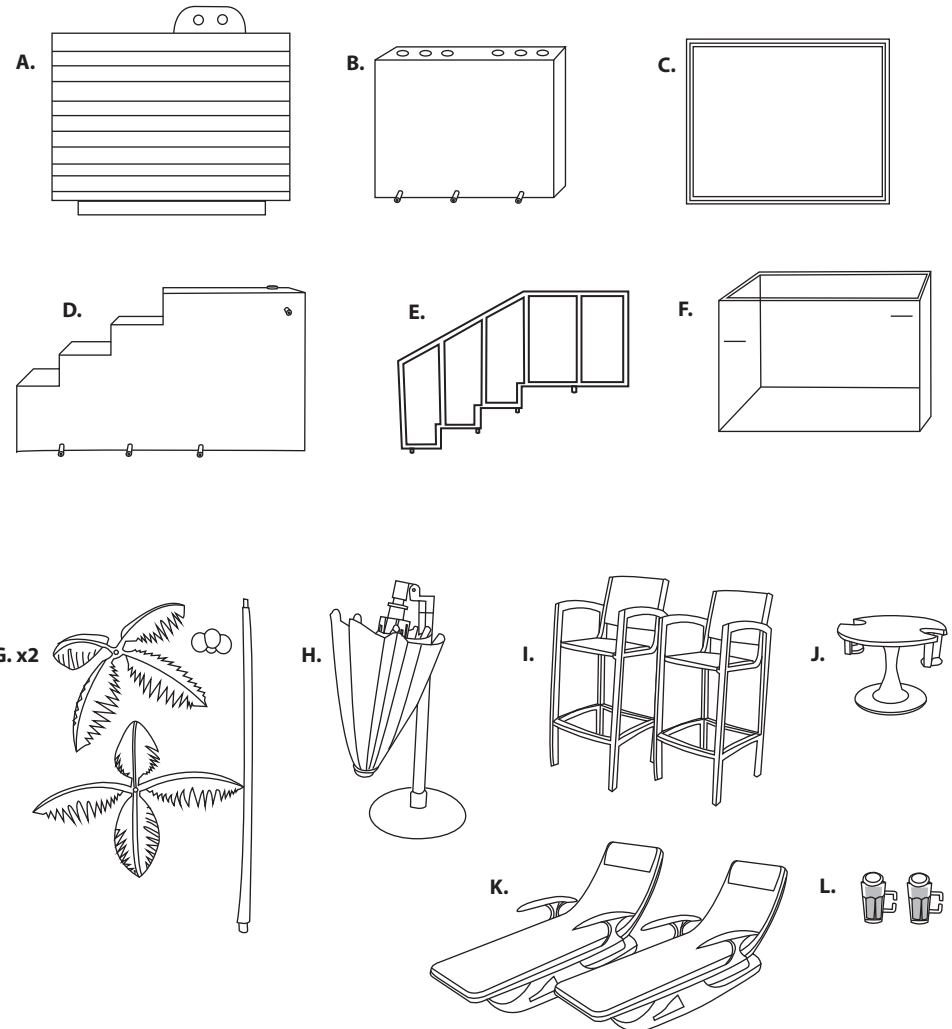
**WARNING:**  
CHOKING HAZARD-Small parts.  
Not for children under 3 years.

Age 6+  
SKU: 578475

## COLOR CHANGE POOL & BEACH CLUB PLAYSET

## CONTENTS

- A. Deck**   **B. Bar Table**   **C. Pool Base**   **D. Stairs**   **E. Stair Railing**   **F. Pool**  
**G. 2 Palm Trees: Trunks, Coconuts and Leaves**   **H. Umbrella**   **I. 2 Stools**   **J. Side Table**  
**K. 2 Lounging Chairs**   **L. 2 Cups**



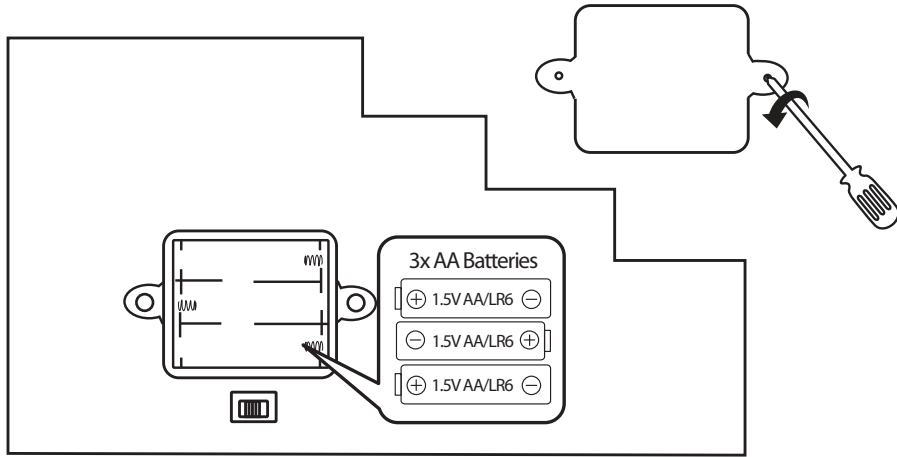
Illustrations are for reference only. Styles may vary from actual contents.

Please remove all packaging including tags, ties & tacking stitches before giving this product to a child.

# BATTERY INSTALLATION

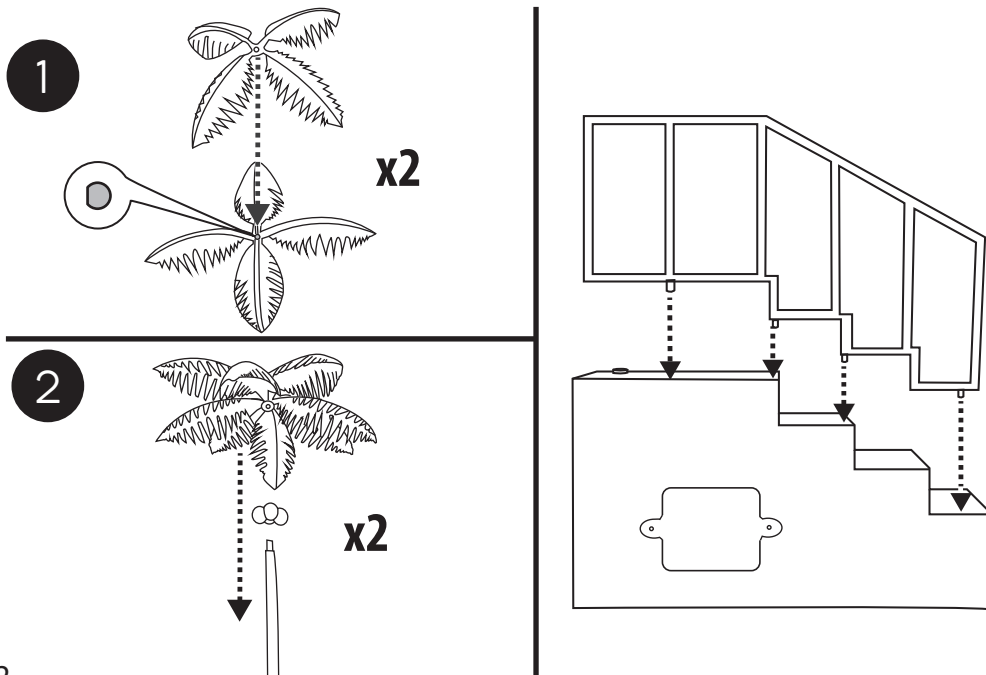
Before playing, an adult must install fresh alkaline batteries (not included) in the unit. Here's how:

1. Using a Phillips screwdriver (not included) remove the screws and battery compartment cover from the back of the stairs.
2. Install three (3) 1.5V AA (LR6) alkaline batteries (not included) making sure the (+) and (-) ends face the proper direction as indicated inside the battery compartment.
3. Replace the compartment cover, making sure the protective seal is secure around the battery compartment. Then, tighten the screws.



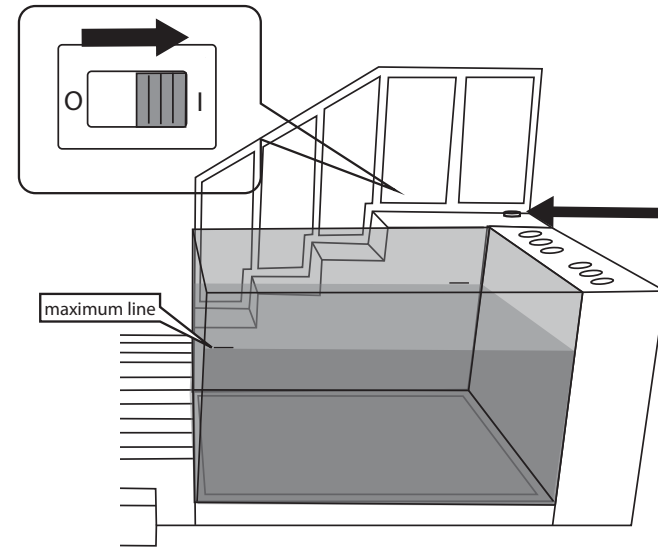
## PRE-ASSEMBLY

Before beginning, assemble the palm trees and the stairs.



9

Pour water into the pool, making sure not to fill over the maximum line. Move the switch on the back of the stairs from the OFF (O) position to the ON (I) position. Then, press the button on top of the stairs to turn on the lights.



Push the button to turn on the lights! Continue pressing the button to cycle through the colors of the rainbow: red, orange, yellow, green, blue, and purple. On the seventh press, the stairs will cycle through all the colors of the rainbow for approximately 30 seconds.

## CARE INSTRUCTIONS & STORING

- If using a Rainbow High™ doll (not included) with the pool, make sure to remove the clothes and accessories.
- Keep water away from the battery compartment and the light button on top of the stairs.
- When replacing the battery compartment, always make sure the protective seal is secure on the battery compartment to prevent water from entering.
- Wipe off any spilled water from the playset.
- Before storing, pour out the water from the pool and allow it to air dry thoroughly.
- Only use a dry cloth to clean the product. Never use a corrosive or abrasive substance to clean the product.
- Only use clean, room temperature water with the pool.
- For correct assembly, follow these instructions. Please retain packaging and instruction manual for future reference.

### ⚠ WARNING

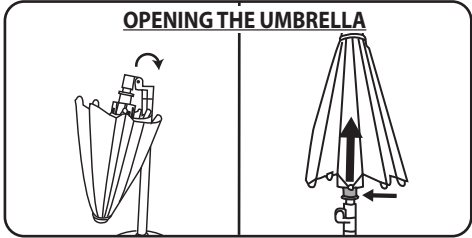
- ADULT SUPERVISION IS REQUIRED when children are playing in or around water.
- Avoid placing the playset on an uneven surface or anywhere which might offer the possibility of tipping.
- Always check the condition of the product before giving to children. Do not use if the product is worn or damaged. Dispose the product immediately if broken.
- Do not allow children to play with water near any electrical source or apparatus.

## IMPORTANT INFORMATION

- After 30 seconds of no activity, the lights will turn off. To turn back on, press the button on the stairs.
- After the stairs cycles in all the colors of the rainbow, pressing the button will start the cycle again with red.
- To conserve battery power, always turn the unit OFF (O) after playing.

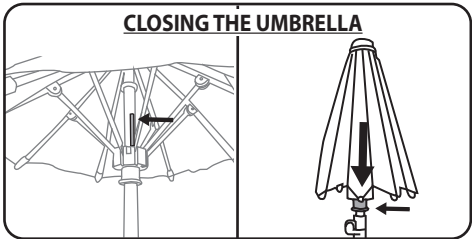
7

Insert the umbrella into the peg on the deck.



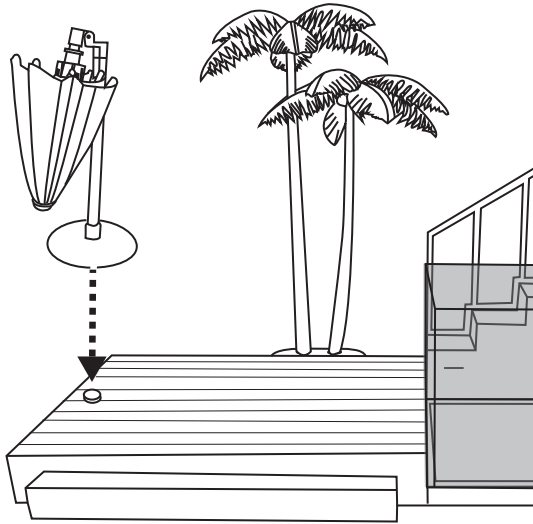
**OPENING THE UMBRELLA**

Unfold the umbrella by sliding it up. Then, hold the rim of the umbrella and push it up until it securely clicks in place.



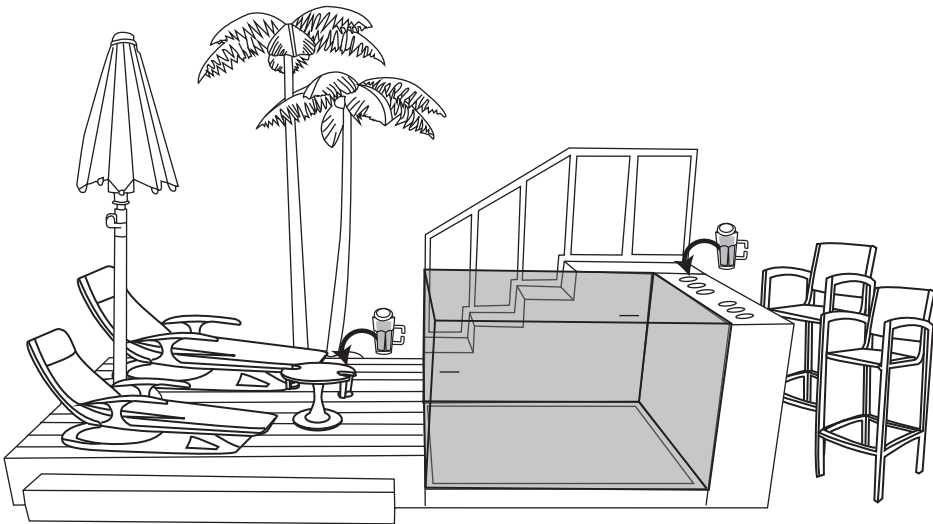
**CLOSING THE UMBRELLA**

Push in the lock to release the rim and pull it down.



8

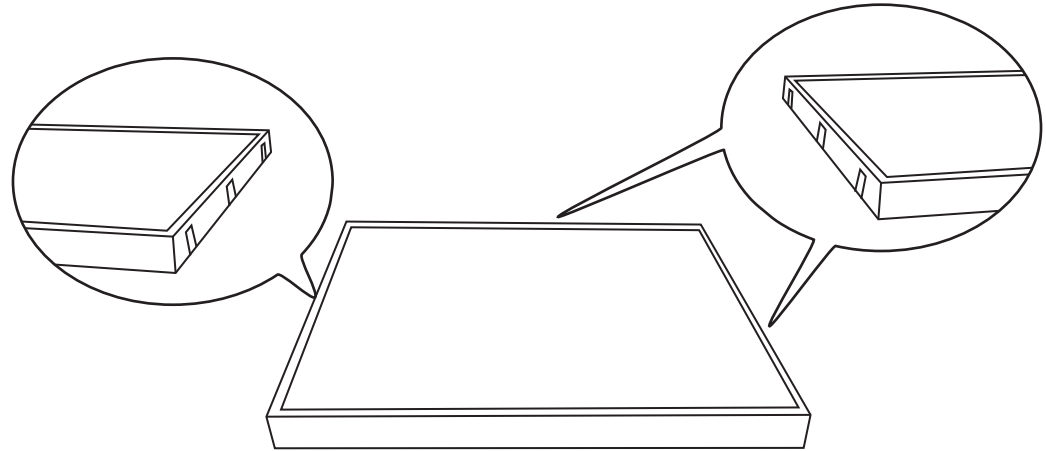
Add the lounging chairs, side table, and the stools. Cups can be placed on the bar table and on the side table.



**ASSEMBLY**

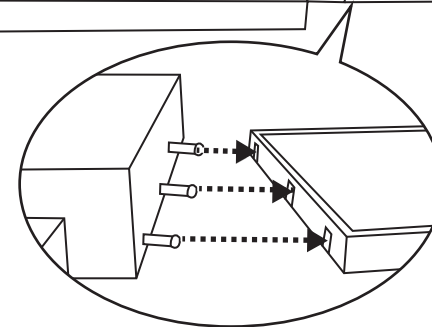
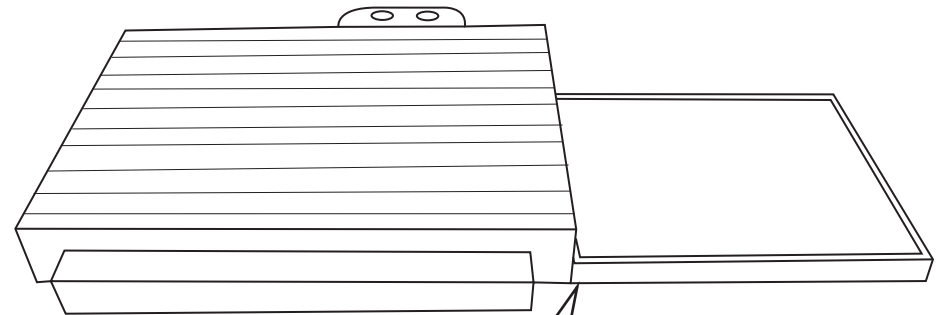
1

Place the pool base on a flat surface. The base has two openings on the left, right and back side. Make sure none of the openings are facing the front.



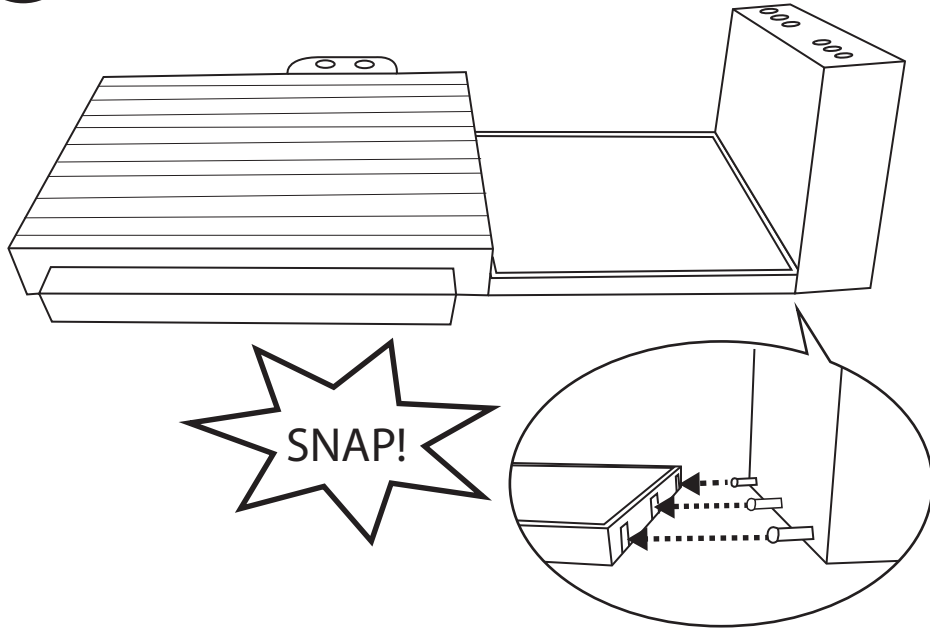
2

Attach the deck to the left side of the pool base, making sure to connect the pegs on the deck into the side openings on the base.



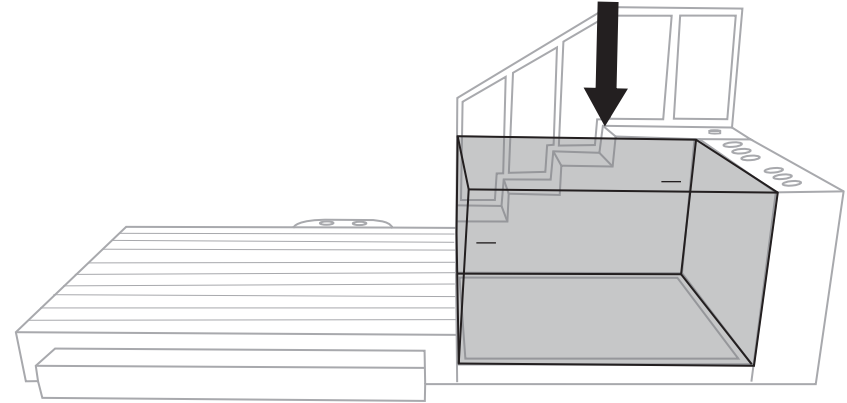
3

Attach the bar table to the right side of the pool base.



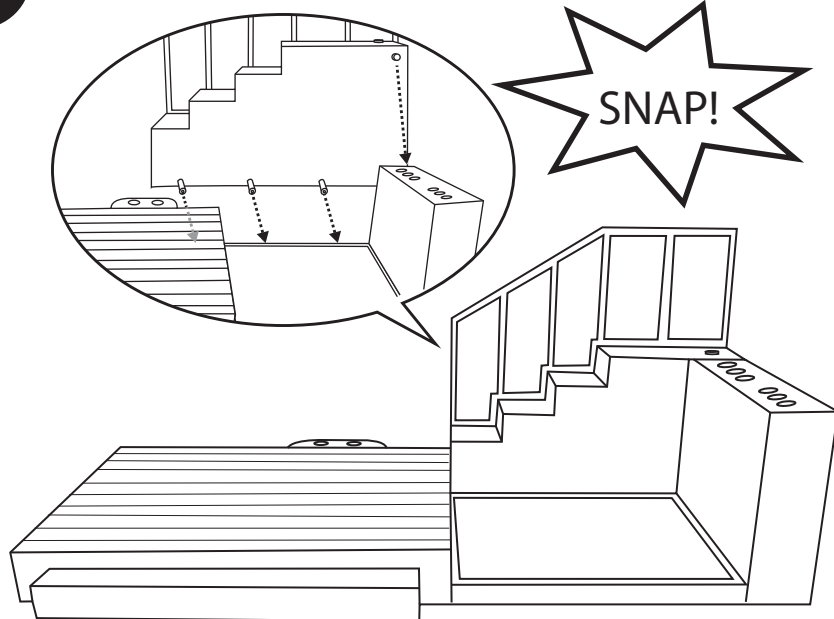
5

Place the pool on top of the pool base.



4

Attach the stairs to the back side of the pool base.



6

First place the smaller palm tree into the opening on the deck. Then, place the larger palm tree into the second opening on the deck.

