

IMPORTANT INFORMATION

⚠ WARNING:

- ADULT SUPERVISION IS REQUIRED when children are playing in or around water.
- Do not sit, stand, or jump on the unit, as doing so may result in injury and/or damage to the unit.
- **Carefully** transform the car into the dance floor. Keep fingers clear of moving parts.
- Always empty the pool of water before storing. Only use clear water in the pool to prevent possible damage.
- Gently wipe down the car with a microfiber towel. Do not use terry cloth towels, paper towels or other abrasive materials as they could damage the finish on the car.
- Immediately wipe up spilled water after playing. To prevent spillage, carefully lift the pool and empty the water.
- After playing, turn the lights off by pressing the button to conserve battery power.
- Do not look into the headlights for extended periods of time.
- Allow the car's roof to air dry by placing on a microfiber towel in a well-ventilated area before storing.
- Keep water away from the battery compartment. If water is present in the battery compartment, dry it thoroughly.
- Do not store the product in direct sunlight for extended periods of time. Discoloration may occur.
- **UV BLACK LIGHTS ARE NOT INTENDED TO BE PLAYED IN THE POOL.**

SAFE BATTERY USAGE

- Use alkaline batteries for best performance and longer life.
- Use only the battery type recommended for the unit.
- Batteries should be replaced only by an adult.
- Insert batteries with the correct polarity (+ and -).
- Do not mix old and new batteries.
- Do not mix alkaline, standard (carbon-zinc), or rechargeable batteries.
- Do not short-circuit batteries.
- When not used for an extended time, remove batteries to prevent possible leakage and damage to the unit.
- Do not mix rechargeable and non-rechargeable batteries.
- Rechargeable batteries are to be removed from the toy before charging.
- Rechargeable batteries are to be recharged only under adult supervision.
- Do not recharge non-rechargeable batteries.
- Exhausted batteries are to be removed from the toy.
- Do not dispose of batteries in fire as they may leak or explode.

⚠ WARNING:

This product contains a Button or Coin Cell Battery. A swallowed Button or Coin Cell Battery can cause internal chemical burns in as little as two hours and lead to death. Dispose of used batteries immediately. Keep new and used batteries away from children. If you think batteries might have been swallowed or placed inside any part of the body, seek immediate medical attention.

IMPORTANT NOTES ABOUT BUTTON BATTERIES

- WARNING - KEEP BATTERIES OUT OF REACH OF CHILDREN

- Swallowing may lead to serious injury in as little as 2 hours or death, due to chemical burns and potential perforation of the esophagus.
- If you suspect your child has swallowed or inserted a button battery immediately call the 24-hour Poisons Information Centre on 13 1126 (Australia)/ your local emergency services for fast, expert advice.
- Examine devices and make sure the battery compartment is correctly secured, e.g. that the screw or other mechanical fastener is tightened. Do not use if compartment is not secure.
- Dispose of used button batteries immediately and safely. Flat batteries can still be dangerous.
- Adults shall tell potential users about the risk of button batteries and keep their children away from button cell. Adult supervision is required.



'Let's care for the environment!'

The wheeler bin symbol indicates that the product must not be disposed of with other household waste. Please use designated collection points or recycling facilities when disposing of the item. Do not treat old batteries as household waste. Take them to a designated recycling facility.

Please keep this manual as it contains important information.



0221-0-E/INT
Printed In China

www.LOLsurprise.com
©2021 MGA Entertainment, Inc.
L.O.L. SURPRISE!™ is a trademark of MGA in the U.S. and other countries. All logos, names, characters, likenesses, images, slogans, and packaging appearance are the property of MGA.

MGA Entertainment, Inc.
9220 Winnetka Ave., Chatsworth, CA 91311
U.S.A.
(800) 222-4685

The preferred method of contact for Customer Service is through our e-mail contact form at www.mgae.com



3-IN-1 PARTY CRUISER

AGES 4+

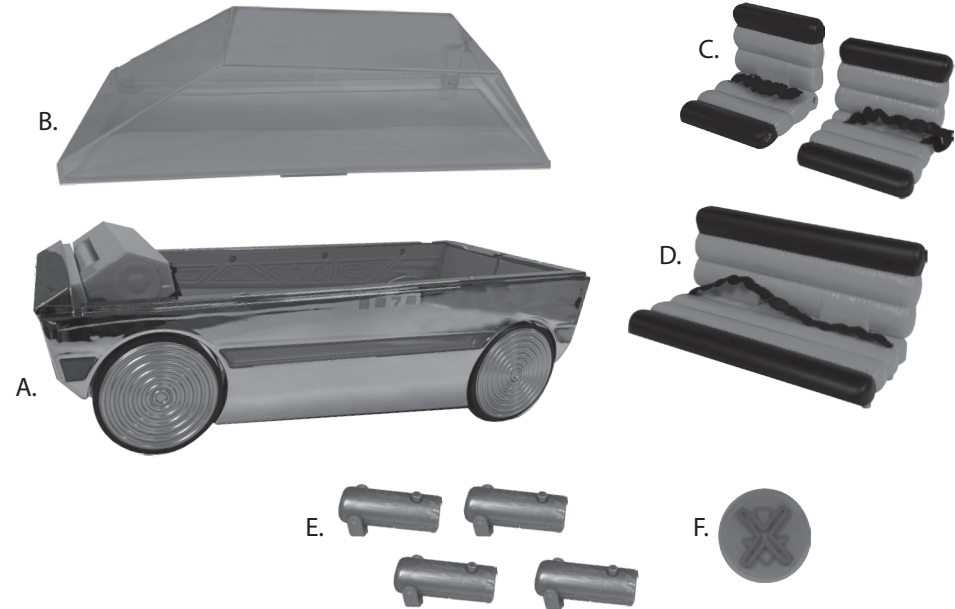
WARNING:
CHOKING HAZARD—Small parts.
Not for children under 3 years.

SKU: 572992

ADULT SUPERVISION REQUIRED

CONTENTS

A. 1 Car B. 1 Roof C. 2 Front Seats D. 1 Backseat E. 4 UV Lights F. 1 Steering Wheel Coin

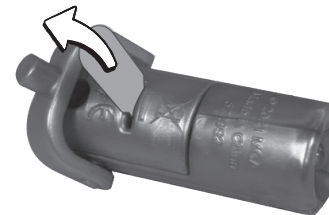


Illustrations are for reference only. Styles may vary from actual contents.

Please remove all packaging including tags, ties & tacking stitches before giving this product to a child.

BEFORE BEGINNING

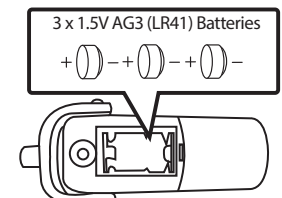
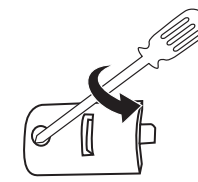
Before beginning, remove the pull tabs under the UV lights.



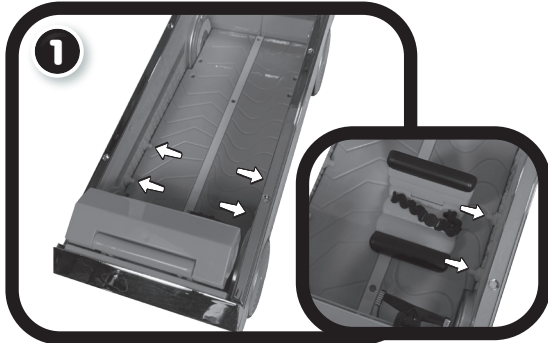
BATTERY REPLACEMENT

An adult must install fresh alkaline batteries in your UV lights should the batteries need replacing. Here's how:

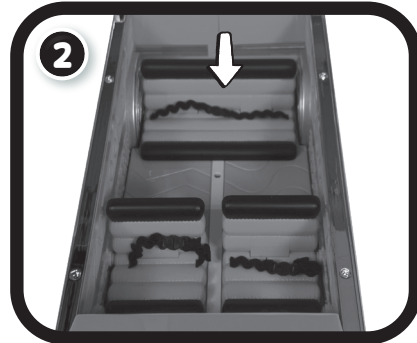
1. Using a Phillips screwdriver (not included), remove the screw and battery compartment cover located under the UV light.
2. Install three (3) fresh 1.5V AG3 (LR41) alkaline batteries (not included) making sure the (+) and (-) ends face the proper direction as indicated inside the battery compartment.
3. Replace the compartment cover and tighten the screw.



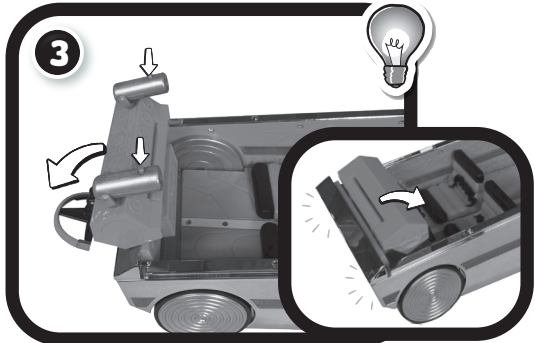
CAR



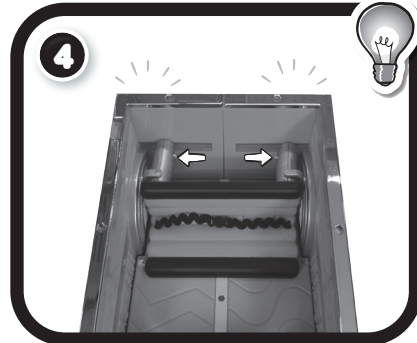
1 Attach the front seats by inserting the openings on the sides of the front seats into the pegs on the walls of the car.



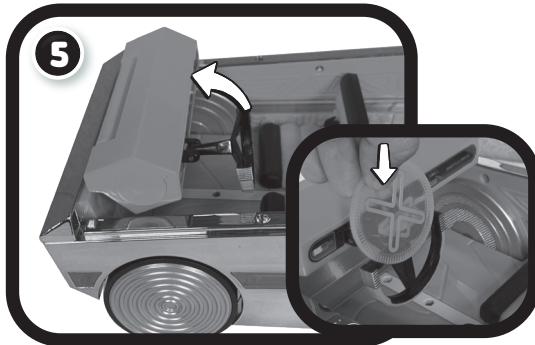
2 Attach the backseat by inserting the pegs under the backseat into the openings on the floor of the car.



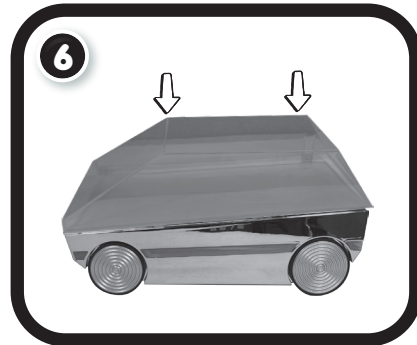
3 Flip out the dashboard and insert two UV lights into the openings on the corners of the dashboard. Press the buttons on top of the lights to turn it on. Then, replace the dashboard to see the headlights light up.



4 Place the other two UV lights into the openings on the walls of the car behind the backseat. Press the buttons on top of the lights to turn it on and watch the tail lights light up.

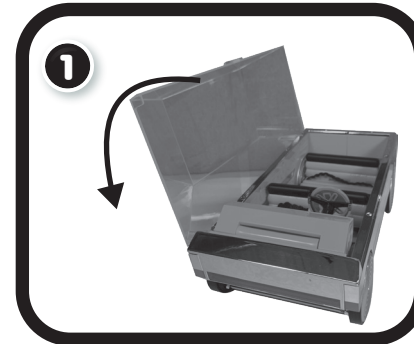


5 Flip up the steering wheel and insert the steering wheel coin.

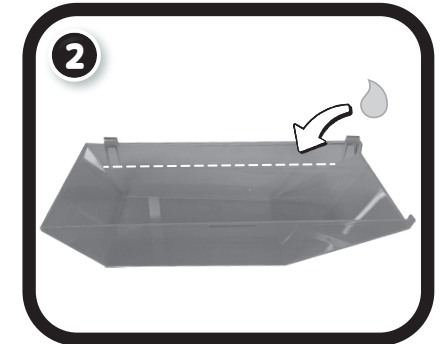


6 Place the roof over the car. Then, press down the top of the roof so it snaps into the hinges. **NOTE:** Anytime you attach the roof, place the roof at the angle it is shown.

POOL

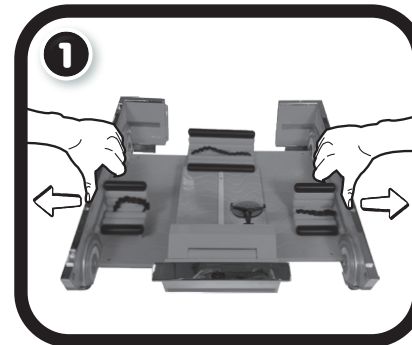


1 Lift up the roof and pull it all the way back (as shown) until it snaps off its hinges. **NOTE:** The loud snapping sound it makes when removing the roof is normal.

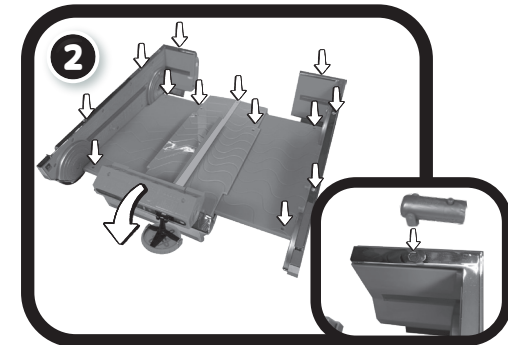


2 Place the roof upside down on a flat surface and fill it with water. Do not overfill.

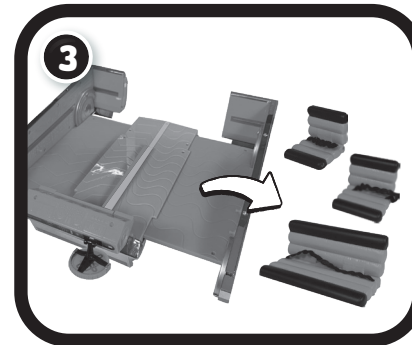
DANCE FLOOR



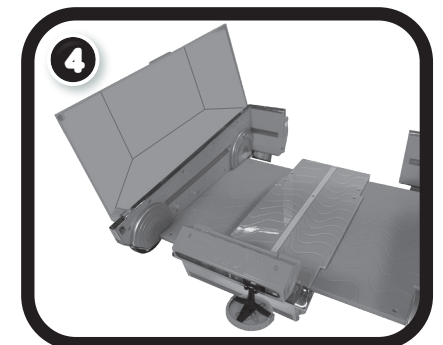
1 With the roof off, hold it firmly from the center of the car and pull it out to extend. To return to car mode, push the sides in.



2 Flip over the dashboard to turn it into a DJ's booth. Place the UV lights anywhere there is an opening.



3 Remove the seats to use them as chairs outside of the car!



4 Replace the roof if desired.