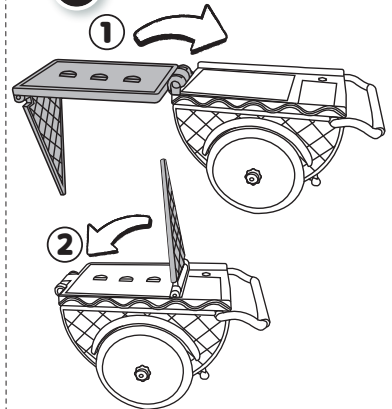


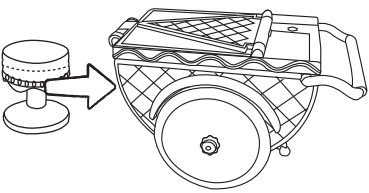
7



8



9



IMPORTANT INFORMATION

- Before beginning, cover the play area to protect from possible water damage.
- For best results, fill the bottle and feed the doll two times.
- Do not place the doll in extremely hot water (over 109.4°F/43°C).
- Do not feed the doll extremely hot water.
- An adult must be present when children are playing with water.
- Do not store the dolls in direct sunlight for extended periods of time.
- Squeeze out all water from the bottle and the doll after each use.
- Thoroughly drain the doll on a dry towel in a well-ventilated area after use and before storing.
- Air dry the doll only. Do not place in the dryer or subject to excessive heat.
- Clean furniture with a damp cloth.

www.LOLsurprise.com

©2020 MGA Entertainment, Inc. L.O.L. SURPRISE!™ is a trademark of MGA in the U.S. and other countries. All logos, names, characters, likenesses, images, slogans, and packaging appearance are the property of MGA.

MGA Entertainment, Inc.  
9220 Winnetka Ave.  
Chatsworth, CA 91311 U.S.A.  
(800) 222-4685

MGA Entertainment UK Ltd.  
50 Presley Way, Crownhill  
Milton Keynes, MK8 0ES  
Bucks, UK  
+ 0800 521 558

MGA Entertainment (Netherlands) B.V.  
Baronie 68-70, 2404 XG Alphen a/d Rijn  
The Netherlands  
Tel: +31 (0) 172 758 038  
E-mail: klantenservice@mgae.com

Imported by MGA Entertainment Australia Pty Ltd  
Suite 2.02, 32 Delhi Road, Macquarie Park NSW 2113  
1300 059 676

The preferred method of contact for Customer Service is through our e-mail contact form at [www.mgae.com](http://www.mgae.com)

Printed in China  
0920-0-E/INT

Please keep this manual as it contains important information. Illustrations are for reference only. Styles may vary from actual contents.



♥ SWEET ♥  
BOARDWALK



SKU: 572626

AGES 3+  
ADULT SUPERVISION REQUIRED

**WARNING:**  
CHOKING HAZARD—Small parts.  
Not for children under 3 years.

