

COLOR-CHANGE

- Cold water color change will start at approximately 59°F (15°C), but best results occur if the ice water is chilled to approximately 32°F (0°C) or colder.
- Only the wigs on certain Tiny Toys will color change in cold water or in the sunlight.
- A UV light will work as well on Tiny Toys that change color in the sunlight.
- For UV color change, remove from sunlight to return it to its original color.
- If color change does not work properly or quickly, the temperature of the Tiny Toy's body may be too close to the temperature of the water.
- Color change temperatures may vary according to weather conditions.
- The color-change effect has a lengthy, but limited lifespan.

IMPORTANT INFORMATION

- Before beginning, cover the play area to protect from possible water damage.
- An adult must be present when children are playing with water.
- Do not bend or twist your Tiny Toy's head or body.
- When removing the wig, hold it from the bottom of its head and body. Then, carefully remove the wig.
- Wigs are interchangeable between Tiny Toys with the same head bun or buns.
- **Only one Tiny Toy is included. Multiple characters shown for demonstration only.**
- **Only the wigs on the characters shown in this manual will have a special feature.**
- For Tiny Toys that glow in the dark, hold it in the light for a few minutes and then place it in a dark room.
- Do not place the Tiny Toy in extremely hot water.
- Do not store the Tiny Toy in direct sunlight for extended periods of time.
- Air dry only. Do not place in the dryer or subject to excessive heat.
- Exposure to sunlight may deactivate color change feature.
- Insert the backdrop in the display case. Backdrop can also be removed.
- Only one display case is included. Multiple display cases are shown for demonstration only.
- After attaching multiple display cases. Replace the lid to lock in place.
- Do not play with assembled Glamper in the street, where there is vehicular traffic or in heavily traveled areas with pedestrians.
- Do not run or throw the assembled Glamper into furniture, walls, pets, people, etc., as doing so may cause injury to the person and irreparable damage to the unit.
- Do not drive assembled Glamper through water, mud, etc.



TINY TOYS

AGES 3+

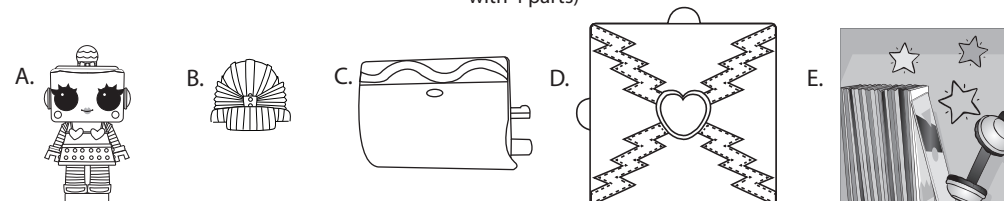
WARNING:
CHOKING HAZARD—Small parts.
Not for children under 3 years.

SKUs: 565802 / 565802x1

ADULT SUPERVISION REQUIRED

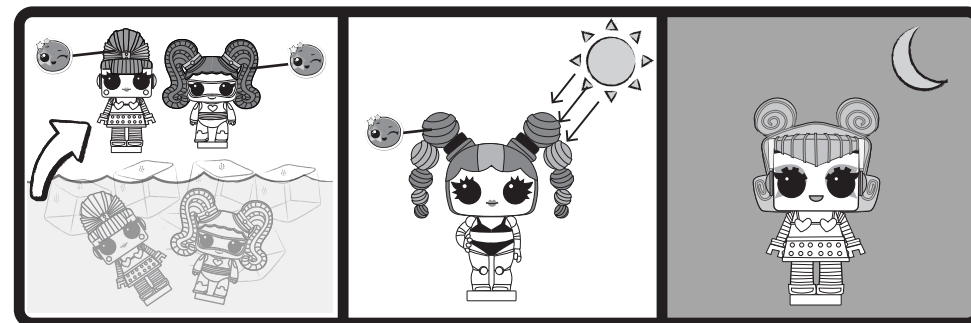
CONTENTS

- A. 1 Tiny Toy B. 1 Interchangeable Wig (Ultra-rare will come with 2 wigs) C. 1 Part of the Glamper (Ultra-rare will come with 4 parts) D. 1 Display Case E. 1 Backdrop

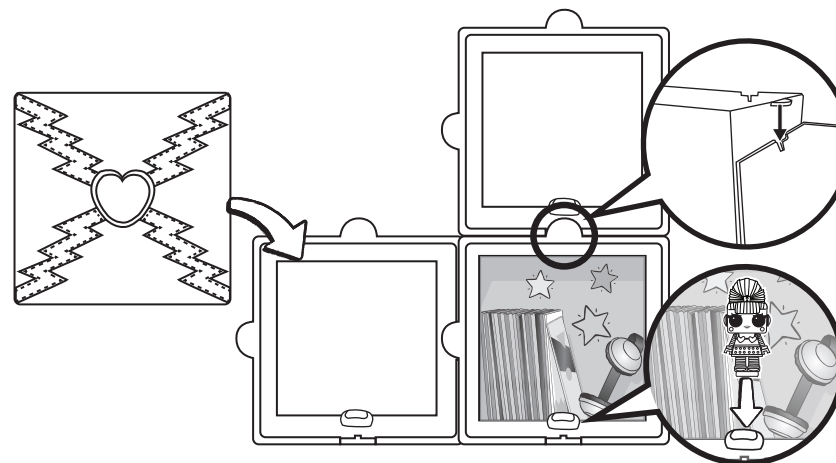


Illustrations are for reference only. Styles may vary from actual contents.

TINY TOY



DISPLAY CASE



Please keep this manual as it contains important information.



www.LOLsurprise.com
©2020 MGA Entertainment, Inc.
L.O.L. SURPRISE!™ is a trademark of MGA in the U.S. and other countries. All logos, names, characters, likenesses, images, slogans, and packaging appearance are the property of MGA.

The preferred method of contact for Customer Service is through our e-mail contact form at www.mgae.com

0919-0-E/INT
Printed in China

MGA Entertainment
9220 Winnetka Ave. Chatsworth, CA 91311 U.S.A.
(800) 222-4685

MGA Entertainment UK Ltd.
50 Presley Way, Crownhill, Milton Keynes,
MK8 0ES, Bucks, UK
+ 0800 521 558

MGA Entertainment (Netherlands) B.V.
Klipperlaak 201, 2411 ND Bodegraven, NL
Tel.: +31 (0) 172-758 038
E-mail: klantenservice@mgae.com

Imported by MGA Entertainment Australia Pty Ltd
Suite 2.02, 32 Delhi Road
Macquarie Park NSW 2113
1300 059 676

GLAMPER ASSEMBLY

BEFORE STARTING

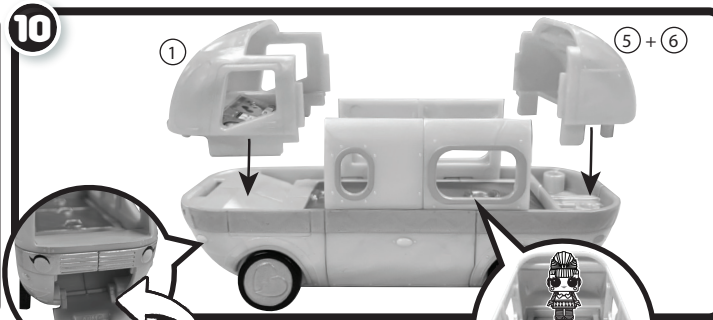
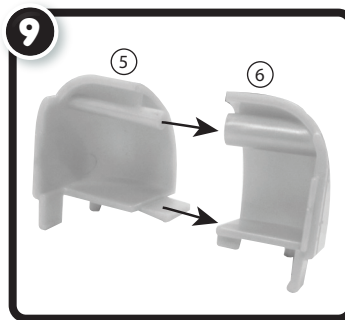
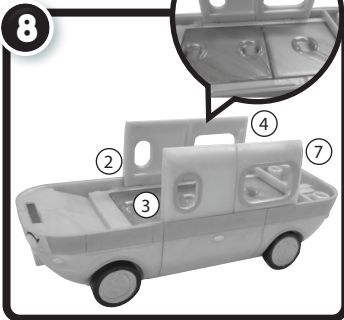
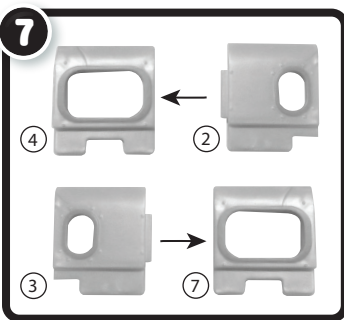
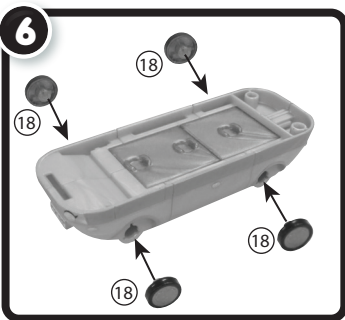
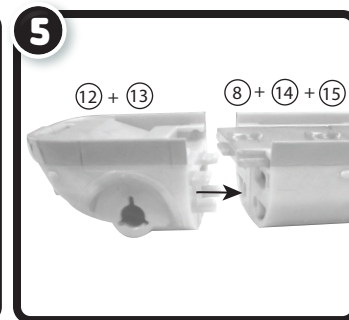
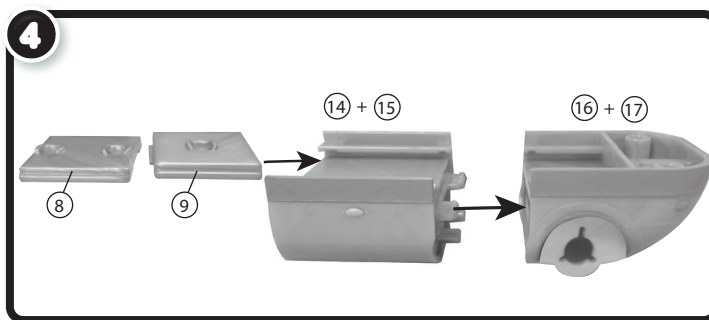
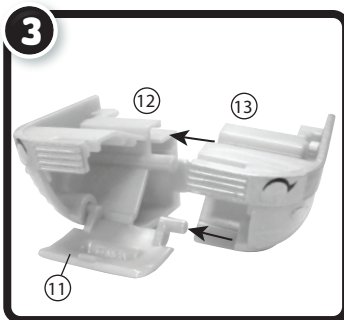
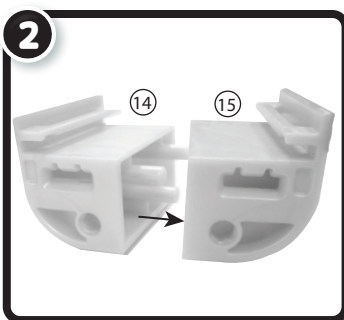
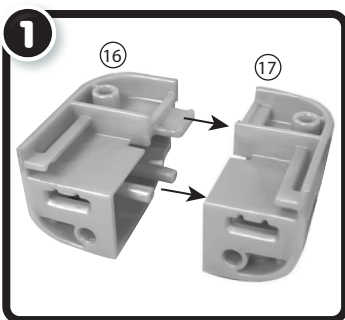


- Make sure you have collected each part. Some assembly is one-time snap. Once wheels have been snapped in place, they can't be removed.
- Follow the below steps in order when assembling the Glamper.



①	②	③	④	⑤	⑥	⑦	⑧	⑨
⑩	⑪	⑫	⑬	⑭	⑮	⑯	⑰	⑱ x4

TIP: Part number is located under each piece.



- TIPS:**
- Some force is needed to snap the wheels in.
 - Once the wheels have been snapped in, they can't be removed.