

Signature Multix



Driven by passion.

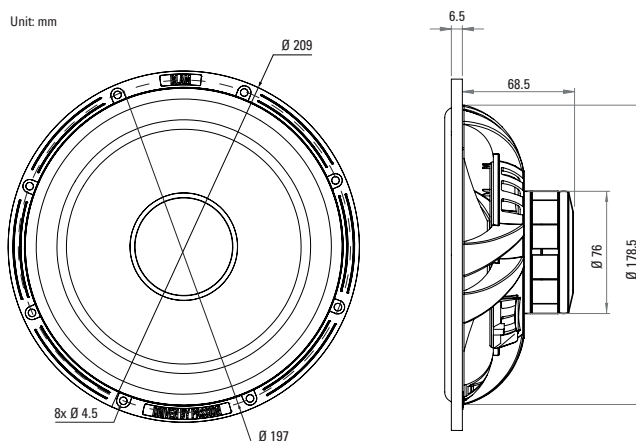
WS 8

HIGH FIDELITY WOOFER

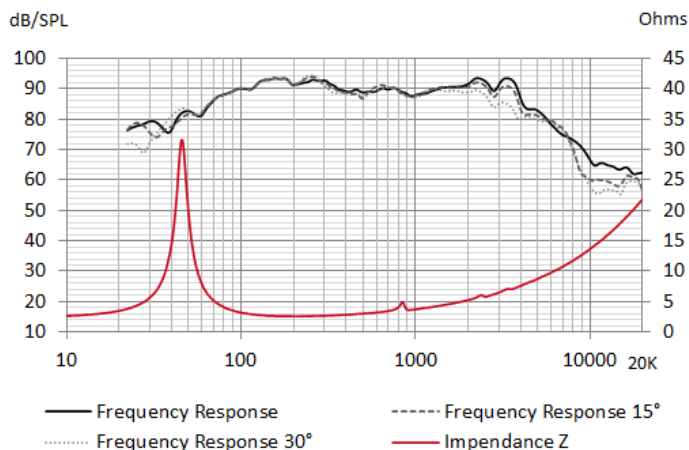
- 200 mm (8") high sensitivity woofer
- Max. power 250 W / Nominal Power 125 W
- Frequency response 40 Hz - 4 kHz
- Impedance 2 Ω

TECHNICAL SPECIFICATIONS

Component	Woofer	
Max power	250 W	
Nominal power	125 W	
Impedance	2 Ω	
Freq. Response	40 Hz - 4 kHz	
Sensitivity (2,83V/1m)	94.1 dB	
Magnet	Neodymium	
Magnet size nbr x Ø x h	10 x 15 x 17 mm	10 x 0.591" x 0.669"
Total driver displacement	0.3 l	0.011 cf
Weight of one component	1.10 kg	2.425 lb
Voice coil Ø	38 mm	1.496"
Voice coil height	17 mm	0.669"
Cone	Carbon fiber	



FREQUENCY RESPONSE / IMPEDANCE



THIELE-SMALL PARAMETERS

effective Ø (d)	165 mm
Sd	213.82 cm ²
Xmax	6 mm
Re	2 Ω
Fs	45.6 Hz
Le	142.74 µH @ 1 kHz
L2	241.19 µH @10 kHz
Vas	31.23 L
Mms	25.05 g
Cms	0.000486 m/N
BL	5.34 Tm
Qts	0.55
Qes	0.60
Qms	7.34