

Model No.: SLS-P830945
 Product Line: Peerless

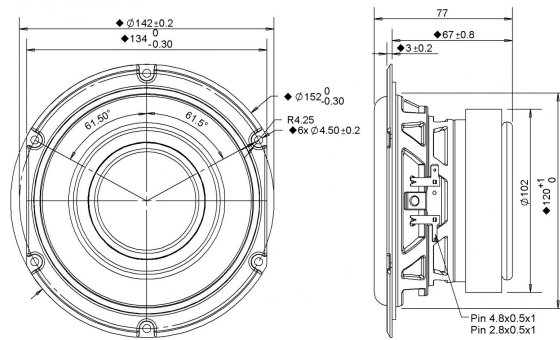
Rev: 1
 Last Update: 2017-04-25 21:32:09

Product Description

The SLS line combines high quality performance with an affordable design. This 5.25 inch 4 ohm member of the SLS family features a rigid steel basket, a paper cone, and a ferrite magnet motor with aluminium shorting ring for improved distortion performance.



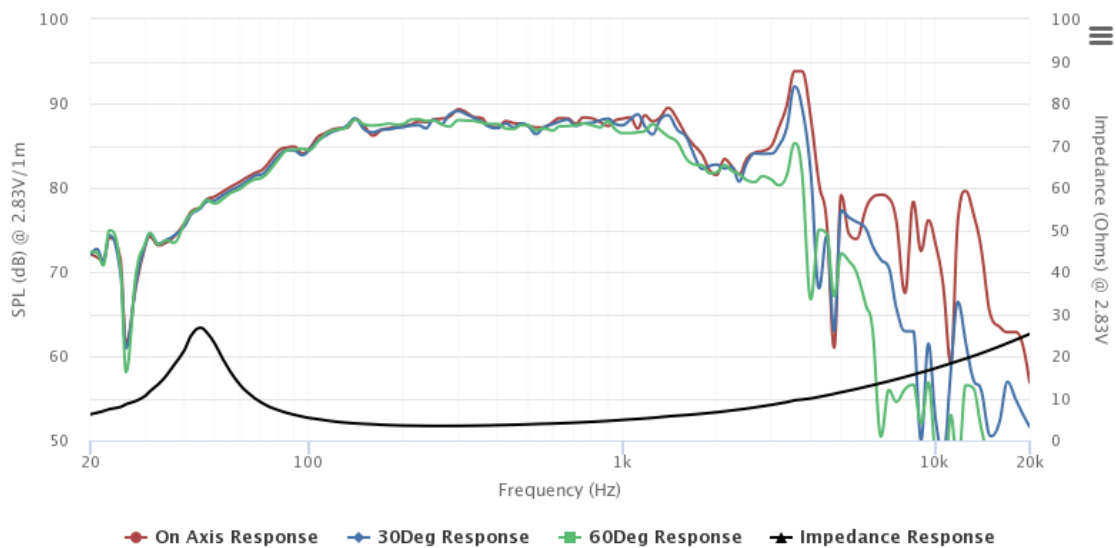
Mechanical Drawing



Specifications

DC Resistance	Revc	Ohms	2.71	5.0%	Energy Bandwidth Product	EBP	(1/Qes)*fs	
Minimum Impedance	Zmin	Ohms	3.44	7.5%	Moving Mass	Mms	g	15.9
Voice Coil Inductance	Le	mH	0.2		Suspension Compliance	Cms	um/N	601.9
Resonant Frequency	Fs	Hz	51.49	15%	Effective Cone diameter	D	cm	10.3
Mechanical Q Factor	Qms		3.95		Effective Piston Area	Sd	cm^2	83.3
Electrical Q Factor	Qes	0.4			Effective Volume	Vas	L	5.87
Total Q Factor	Qts	0.36			Motor Force Factor	BL	Tm	5.9
Ratio Fs/Qts	F	Fs/Qts	141.84		Motor Efficiency Factor	β	(T*M^2)/Ohms	12.9
Half Space Sensitivity @2.83V	db@2.83V/1M	dB	88.36	+/- 1.0db	Voice coil former Material	VCfm		ASV
Half Space Sensitivity @1W/1M	db@1W/1M	dB	84.7	+/- 1.0db	Voice coil inner diameter	VCd	mm	32.42
Gap Height	Gh	mm	6		Rated Noise Power	P	W	50
Maximum Linear Excursion	Xmax	mm	5		Test Spectrum Bandwidth		20Hz - 20kHz	
Ferrofluid Type	FF				Driver Size	Inch	5.25 in	
Driver Mass	Kg	1.48						

Frequency and Impedance Response



Highcharts.com